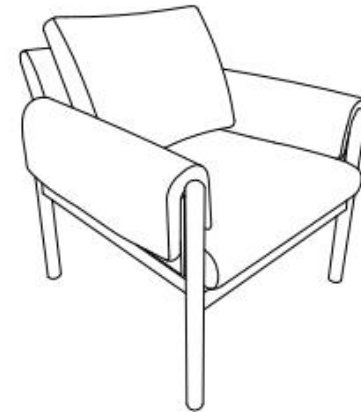


WARRANTY

We strive to offer high-quality products, and we also try our best to satisfy each and every customer that orders from us with product or service as needed. We provide 30 days warranty starting from the time you receive the item. Each customer must provide a record of their order such as the order number, or item receipt for any items that are out of the warranty period you may also still receive replacement parts by purchasing them with our company if they are available.

For return, please check the return policy with the retailer or market place you bought from.

**Appreciate your purchasing from us.
Pop up your life by our furniture piece!**



NOTE:

This brochure contains IMPORTANT safety info. Please read and keep for future reference.

MAINTAINANCE AND WARNING

- Keep furniture away from heat.
- Do not clean furniture with harsh cleansers or polish. Do not use detergents, Solvents, abrasives, spray packs or leather cleaner. Use non-color mild soap with warm water clean spills(Mix 1:10 soap to water)
- Do not place furniture under direct sunlight, material will possibly fade over time.
- Do not use on site dry Cleaning machine.
- Children should not climb or jump on the furniture.
- Do not write on furniture without a padded barrier to protect the surface.
- Not for commercial use, For residential use only.

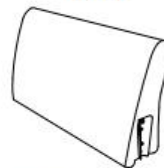


Weight Limitation

220LBS

PARTS LIST

A*1



Backrest

B*1



Seat cushion

C*2



Armrest pad

D*1



Back cushion

E*2



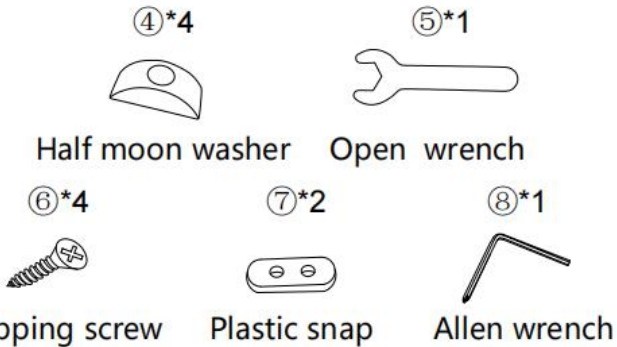
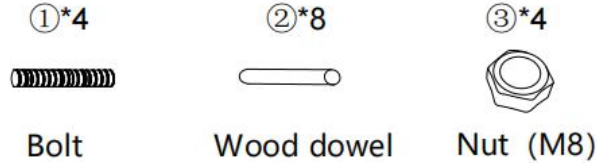
Side frame

F*2



Front/back rail

HARDWARE LIST

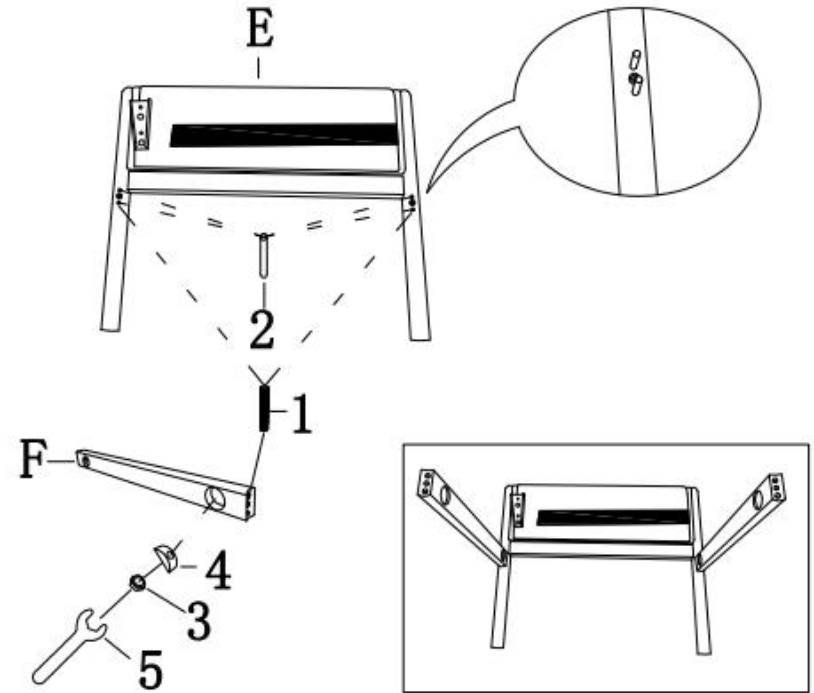


SPARE

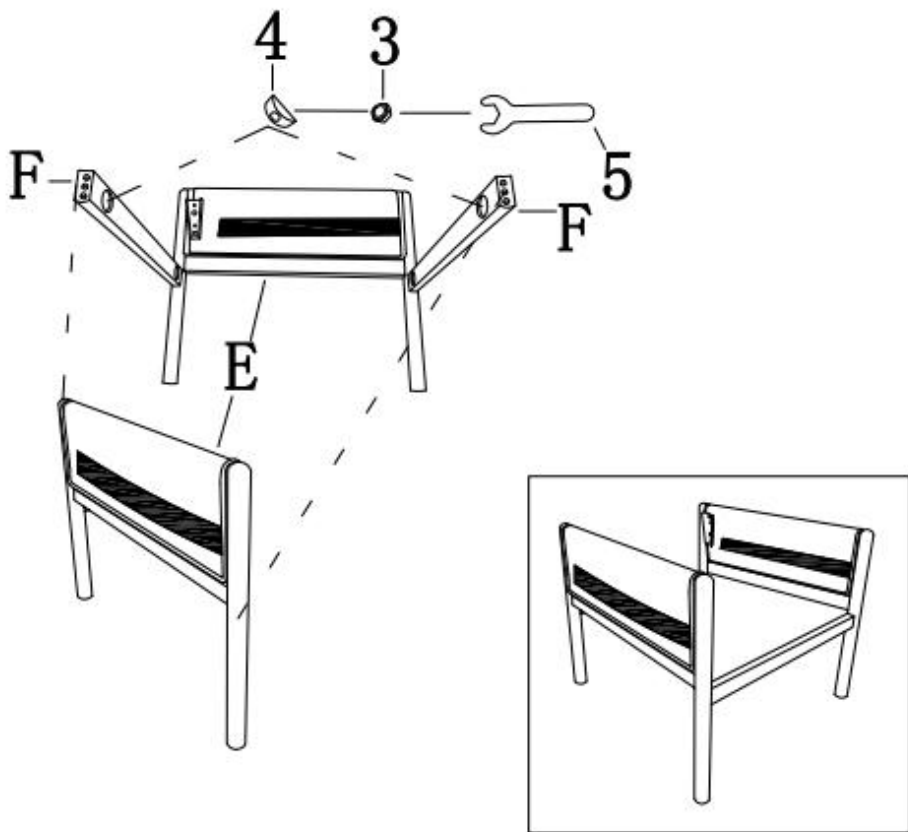


Be sure to check all packing material carefully for small parts, which may have come loose inside the carton during shipment.

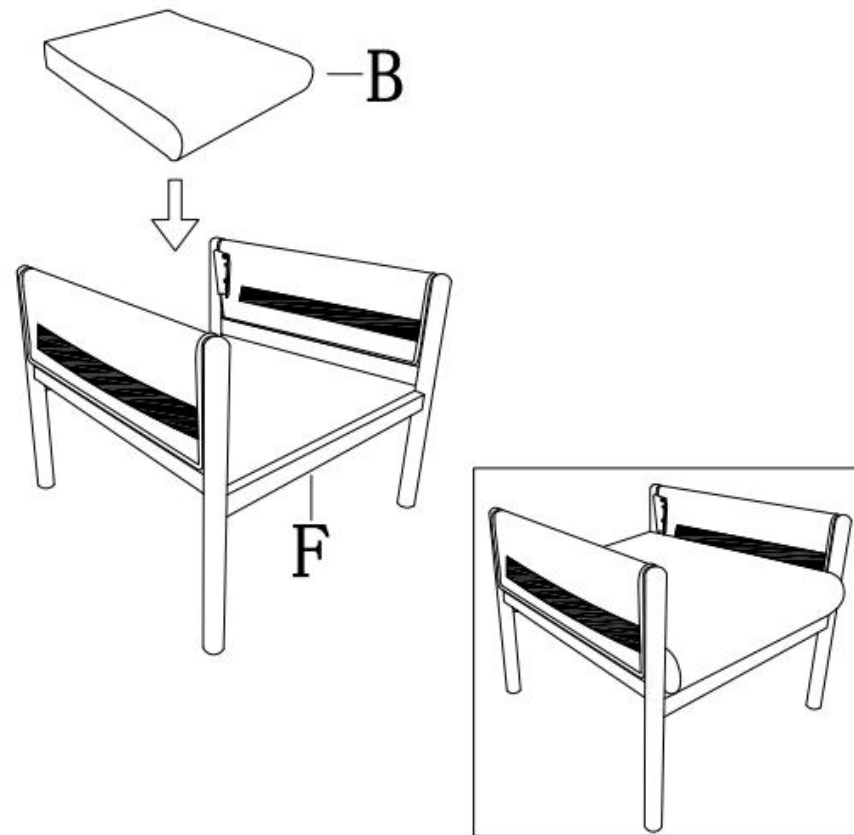
ASSEMBLY INSTRUCTIONS



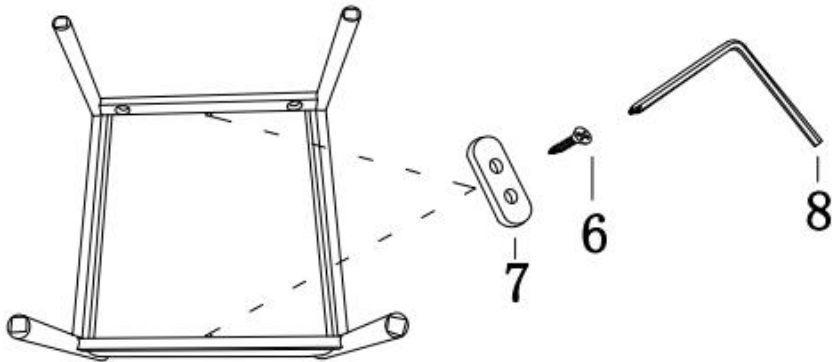
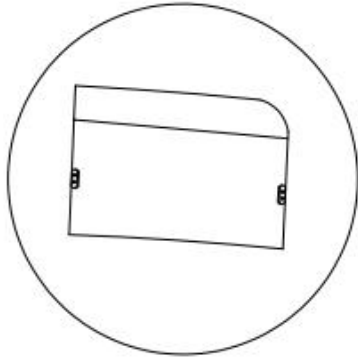
STEP 1: Place side frame E on clean padded surface. Insert wood dowel #2 and fasten bolt #1 into holes on side frame E, align the dowel hole and insert the bolt #1 through end of front/back rail F, then use half moon washer #4, nut #3 and open wrench #5 to connect front/back rail, make sure side frame connected properly with rails then fasten all nuts to secure.



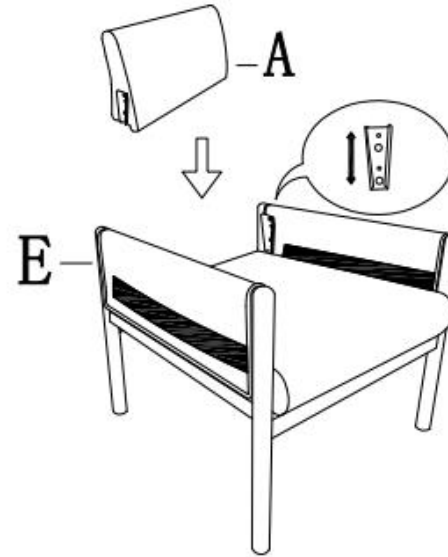
STEP 2: Repeat the first step to install the other side frame.



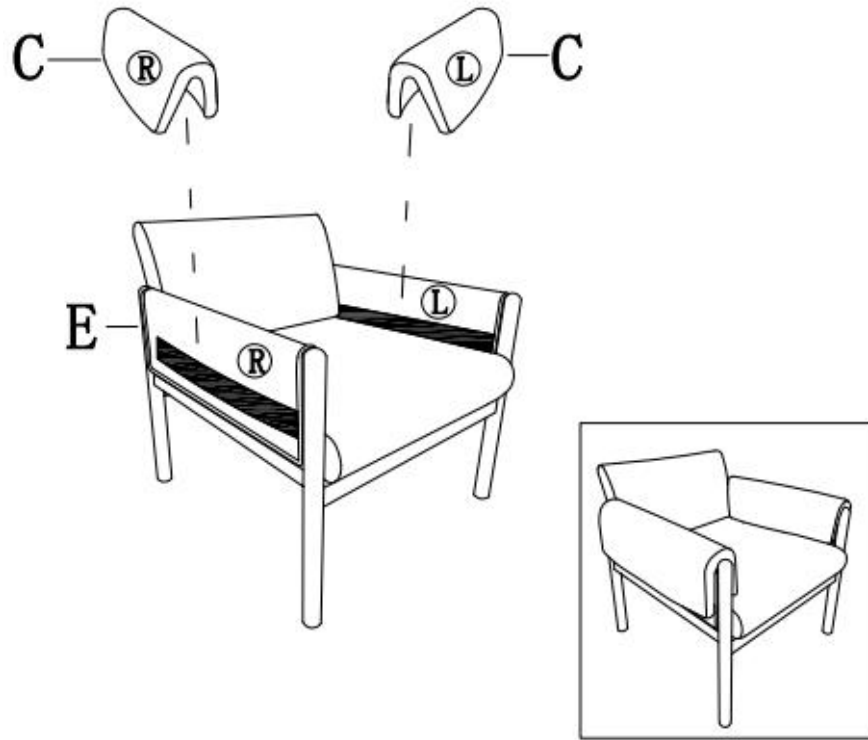
STEP 3: Turn the chair frame upright. Place the seat cushion B on top of the front/back rail F, use bolt #XX to connect seat cushion and front/back rail, fasten to secure.



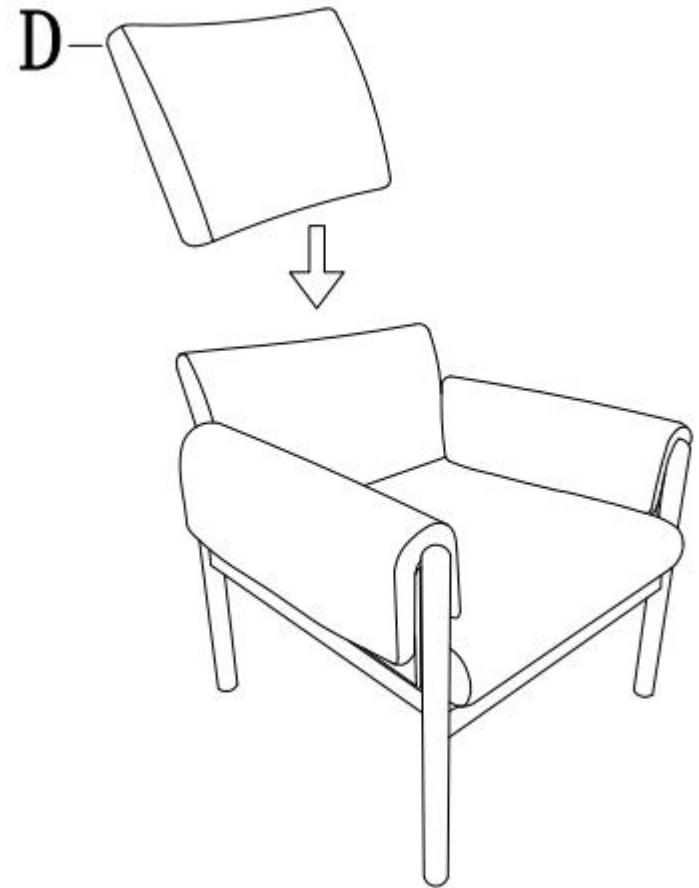
STEP 4: Turn the chair frame upside down, use mending plate 7 screw 6 and Philips head screwdriver 8 to connect seat cushion B and front/back rail F, fasten all screws to secure.



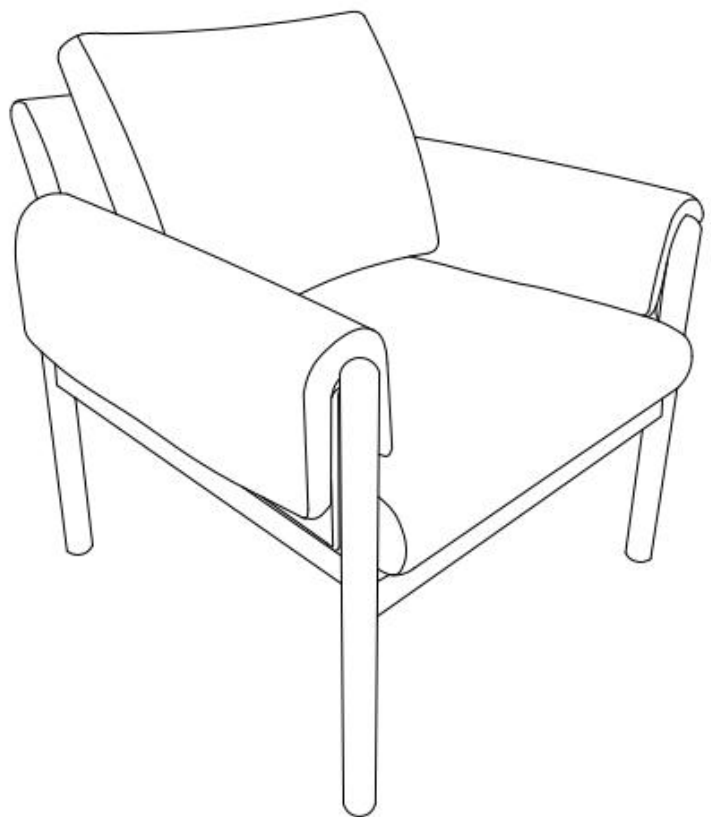
STEP 5: Carefully align male and female metal bracket then insert backrest A in between side frames, push all the way down to secure.



STEP 6:Place the armrest pad C on top of side frame E, carefully match the velcro belt on armrest pad and side frame, press to secure.



STEP 7:Place the back cushion D on front of backrest.



STEP 8:Assembly completed.