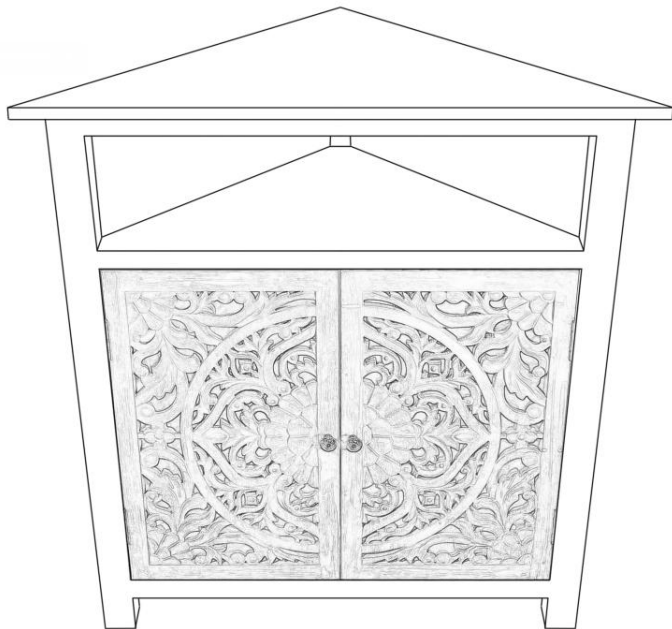


Assembly Instruction

Accent Cabinet















Assembly Instruction

WARNING:

- Read all instructions carefully and completely before assembly and use.
- Retain for future reference.
- **DO NOT use power tools.**
- **DO NOT over-tighten hardware.**
- Periodically check all hardware and re-tighten as necessary.
- DO NOT use product if any component becomes damaged.
- For residential (non-commercial) use only.
- DO NOT sit or stand on product. Use only for intended purpose.
- DO NOT exceed 80lbs for the tabletop and 20lbs for the shelf, evenly distributed.

Parts List

Check all parts before assembly

<p>A. <u>Table top</u></p>  <p>*1</p>	<p>B. <u>Front panel</u></p>  <p>*1</p>	<p>C. <u>Back bar</u></p>  <p>*1</p>	<p>D. <u>Side Panel</u></p>  <p>*1</p>
<p>E. <u>Side Panel</u></p>  <p>*1</p>	<p>F. <u>Bottom Panel</u></p>  <p>*1</p>	<p>G. <u>Shelf</u></p>  <p>*1</p>	<p>H. <u>Shelf</u></p>  <p>*1</p>
<p>H1. Hex bolt</p>  <p>*5(+1 extra)</p>	<p>H2. Washer</p>  <p>*4 (+1 extra)</p>	<p>H3. Bolt</p>  <p>*1 (+1 extra)</p>	<p>H4. Screw</p>  <p>*1(+1 extra)</p>

H5. Allen Key



*1

H6. Shelf pin



*4

H7. Foot pad



*3

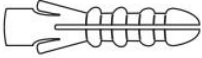
H8. Spanner



*1

Anti Tipping Hardware

H9. Plastic screw anchor



*1

H10. Long Screw



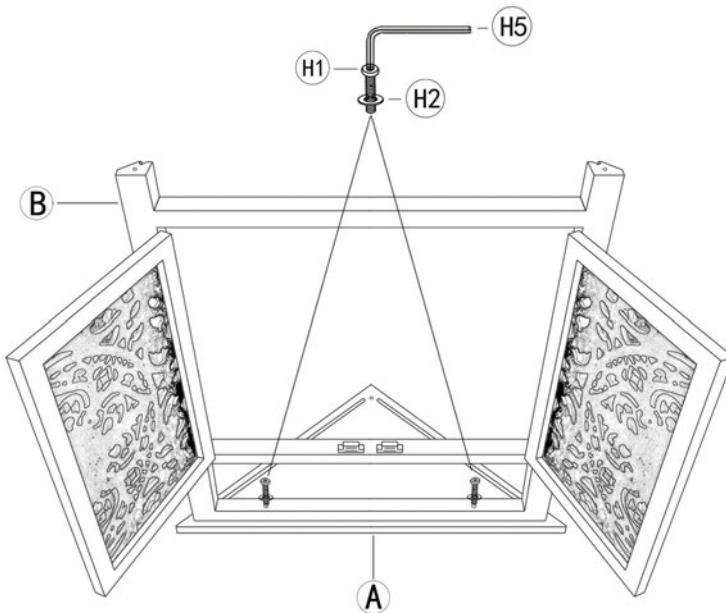
*1

H11. Washer

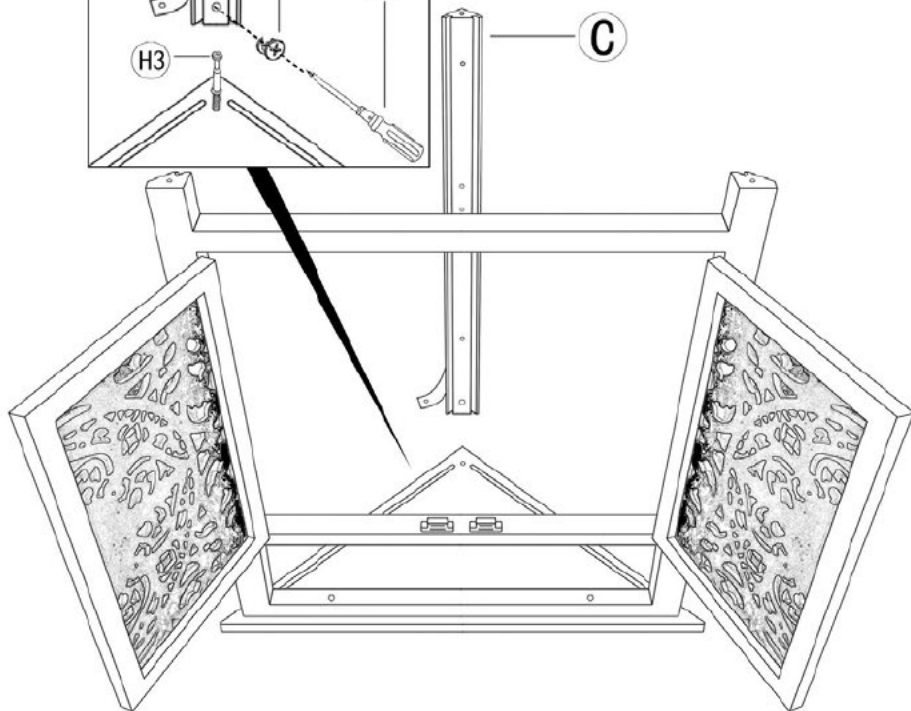
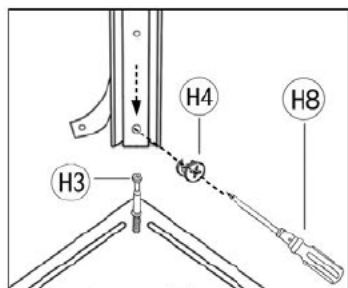
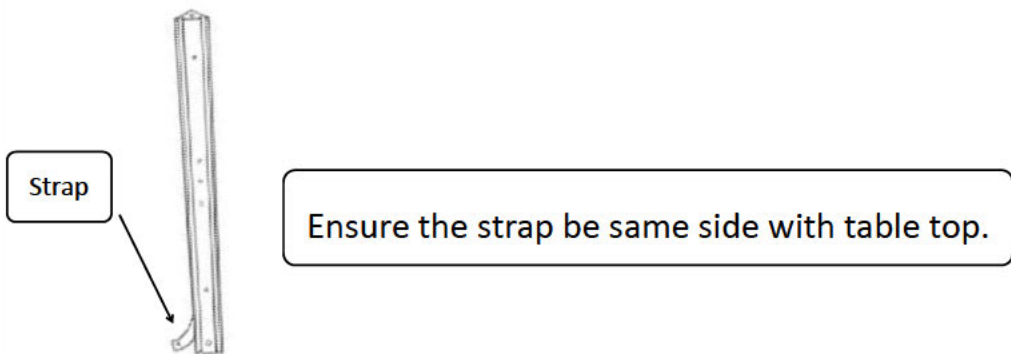


*1

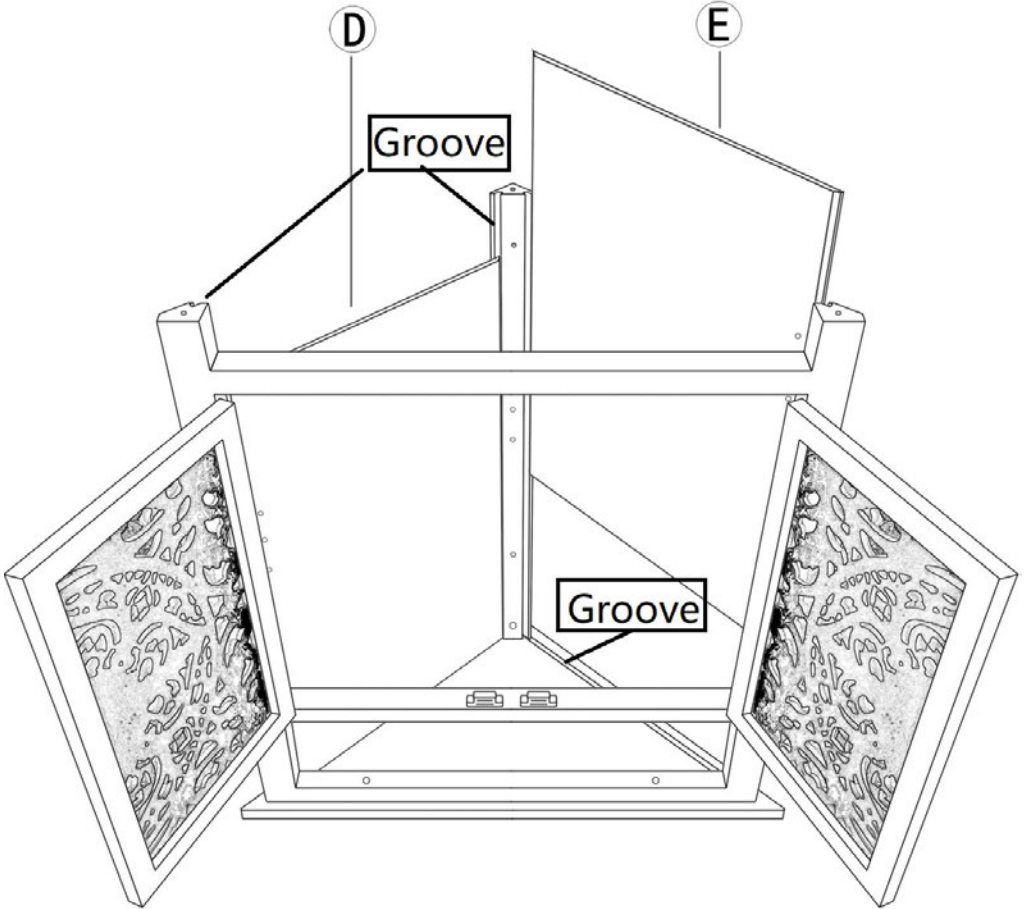
Step 1: Put the Tabletop (A) on a soft surface to protect the finish.
 Attach Front panel (B) to the Top (A) with Hex bolts (H1) and Washers (H2)
 using Allen key (H5). **Leave hardware loose in this step.**



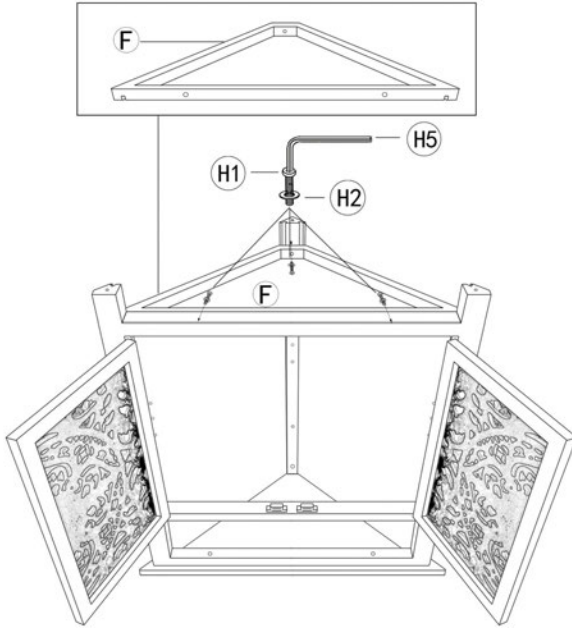
Step 2: Insert the Bolt (H3) to the Top (A), and attach the Back bar (C) to it with Screw(H4) by Spanner (H8) as below. Leave hardware loose in this step.



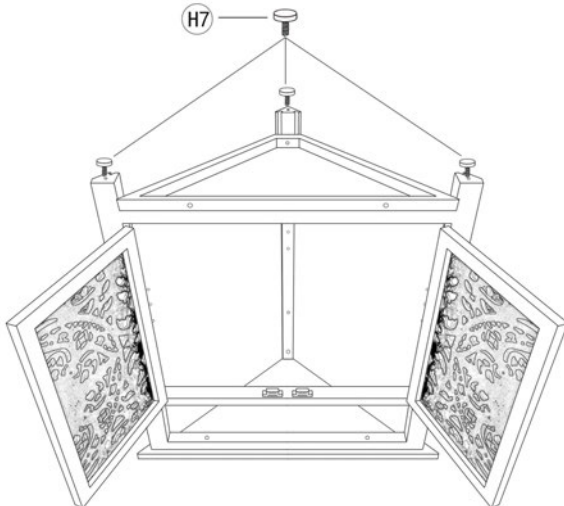
Step 3: Insert the Side panels (D&E) as shown below. Ensure the side panel (D&E) aligned with Groove on the Back bar (C) & Front panel(B)&Table top(A).



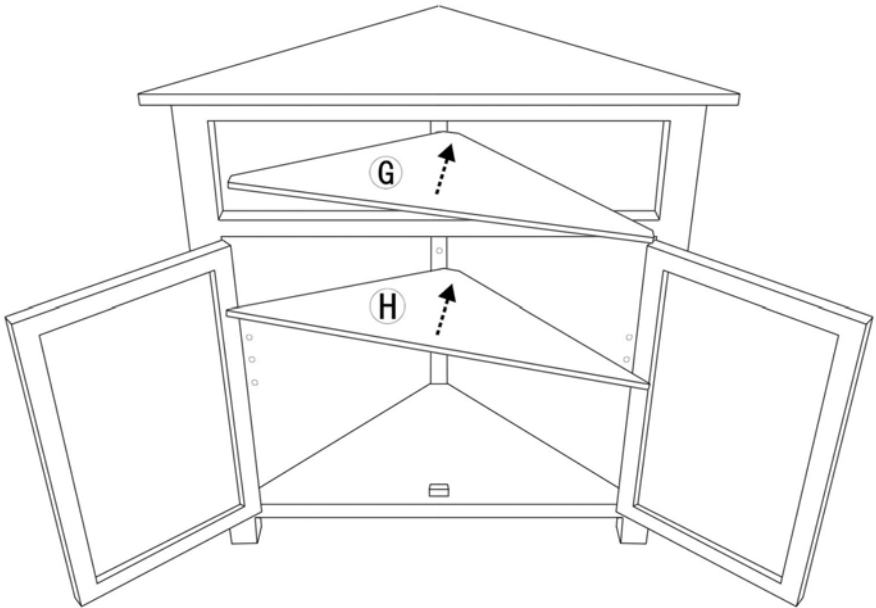
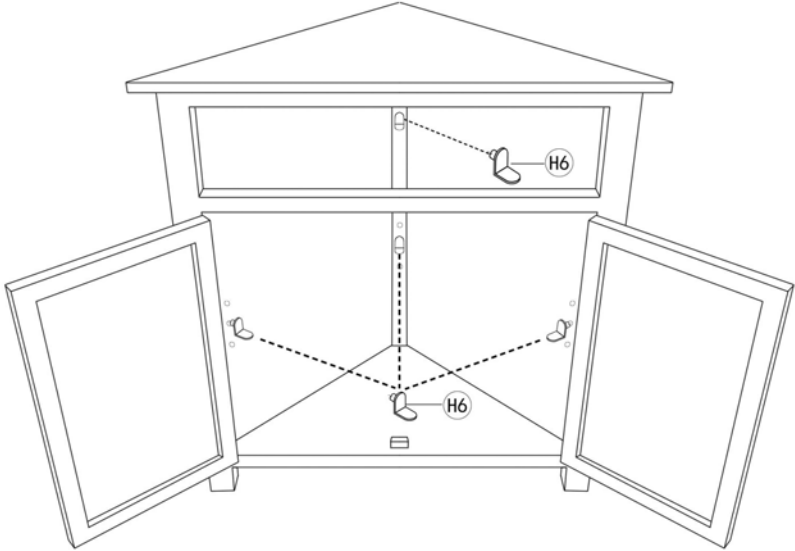
Step 4: Attach the Bottom panel (F) with Hex bolts (H1) and Washers (H2) by Allen key (H5) as shown in picture below. Note doorstop on E faces toward open front. **Fully tighten all bolts from Step 1 to 4.**



Step 5: Attach the Foot pads (H7) to the bottom of all Legs as shown.



Step 6: Open the doors, insert the Metal tab (H6) into the holes. Place the Shelf (F&H) inside as shown in picture below.



Wall straps are already pre-assembled on your furniture.

Assembly Steps to attach your furniture to a wall.

1. Use a pencil to mark the fixing positions on the wall.
2. Drill holes and insert plastic screw anchor into wall.
3. Place the product against the wall, ensure the strap under top panel.
4. Secure wall strap with washer to the wall/plastic screw anchor with Long screws. Tighten with screwdriver. Ensure the strap line up both sides properly.

Warning:

1. Please note this item need to be fixed on the wall to prevent falling forward when product is in use.
2. Always ensure intended wall area to be drilled is free from hidden electrical wires, water and gas pipes.

