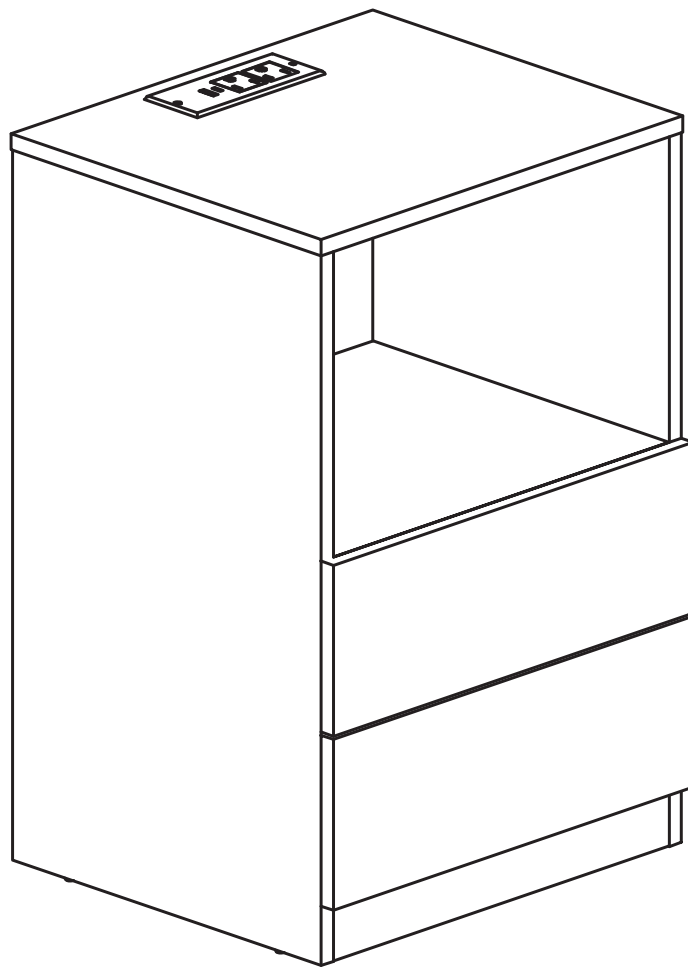


BEDSIDE TABLE

USER MANUAL

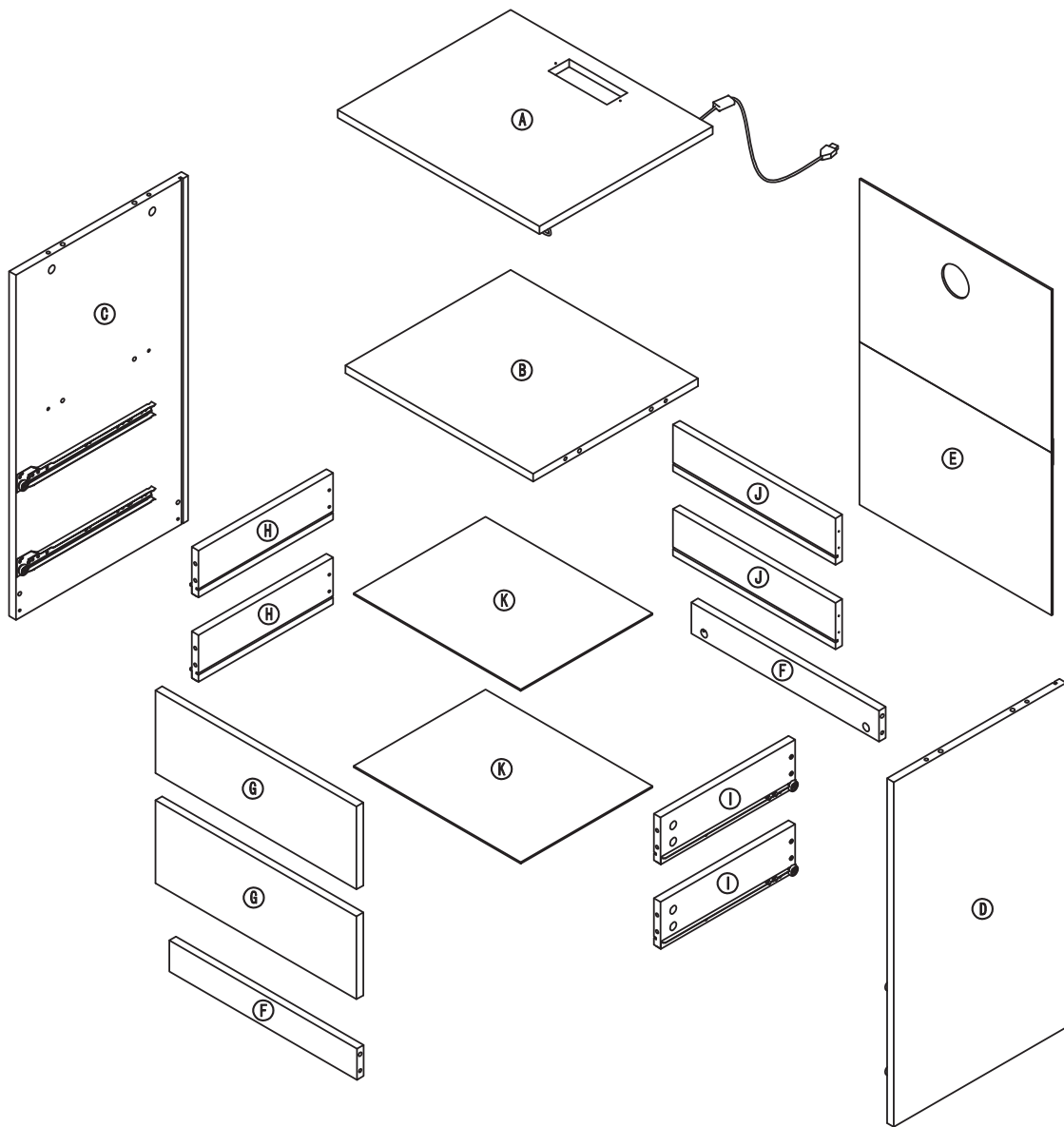
1

ASSEMBLY INSTRUCTIONS



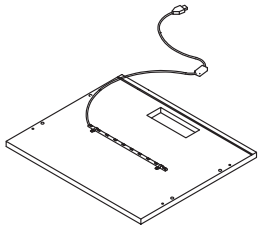
2

BOARD IDENTIFICATION

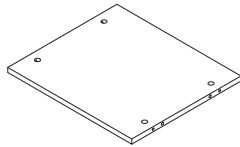


3

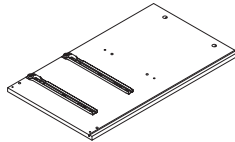
PARTS LIST



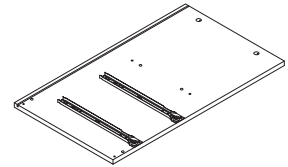
(A) *1PC



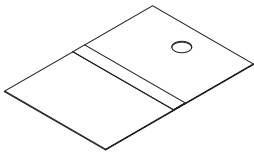
(B) *1PC



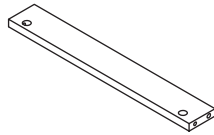
(C) *1PC



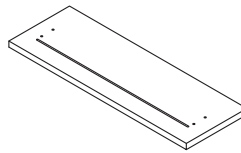
(D) *1PC



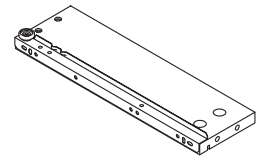
(E) *1PC



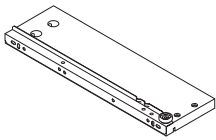
(F) *2PCS



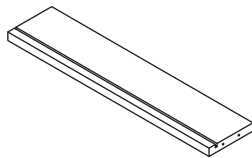
(G) *2PCS



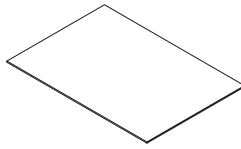
(H) *2PCS



(I) *2PCS

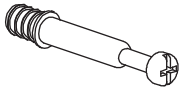


(J) *2PCS



(K) *2PCS


4



CAM BOLT

1	20PCS
---	-------

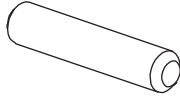
M6*40



CAM LOCK

2	20PCS
---	-------


φ 15*10



WOOD DOWEL

3	12PCS
---	-------


φ 8*40



SCREW

4	8PCS
---	------


4*35



SPIKES


5	4PCS
---	------

φ 15*5*15




6	1PC
---	-----

∅ 5*115



14*14*8.5 3*16

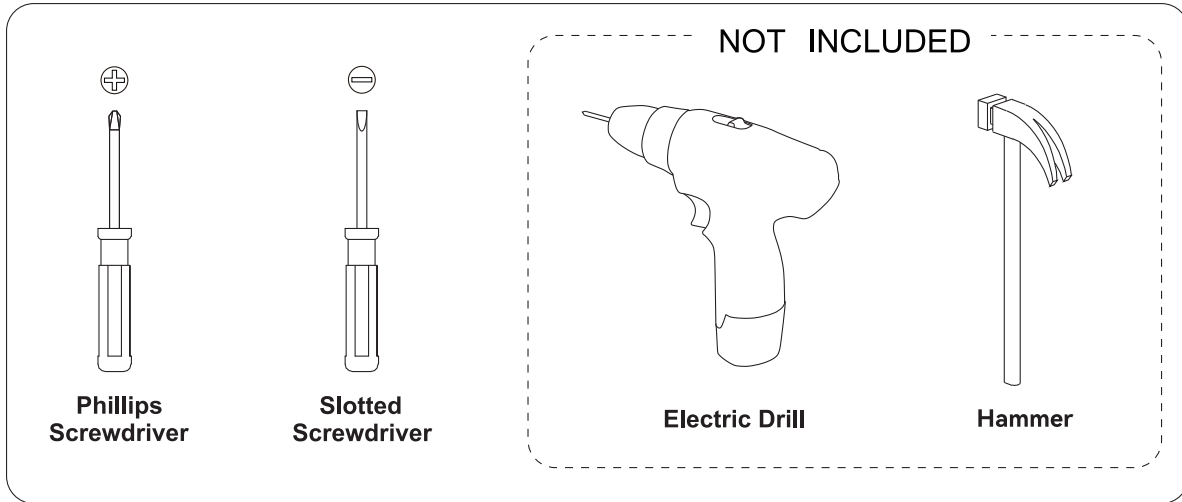
7	6PCS
---	------



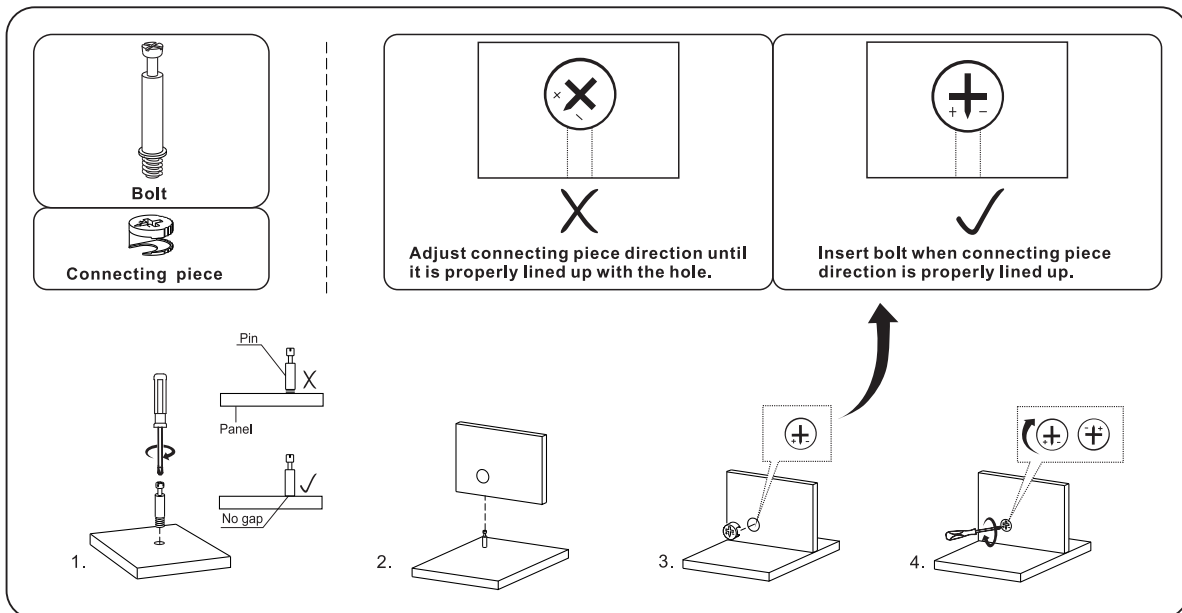
162*55*40 3.5*12

8	1PC
---	-----

TOOL REQUIRED

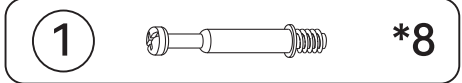
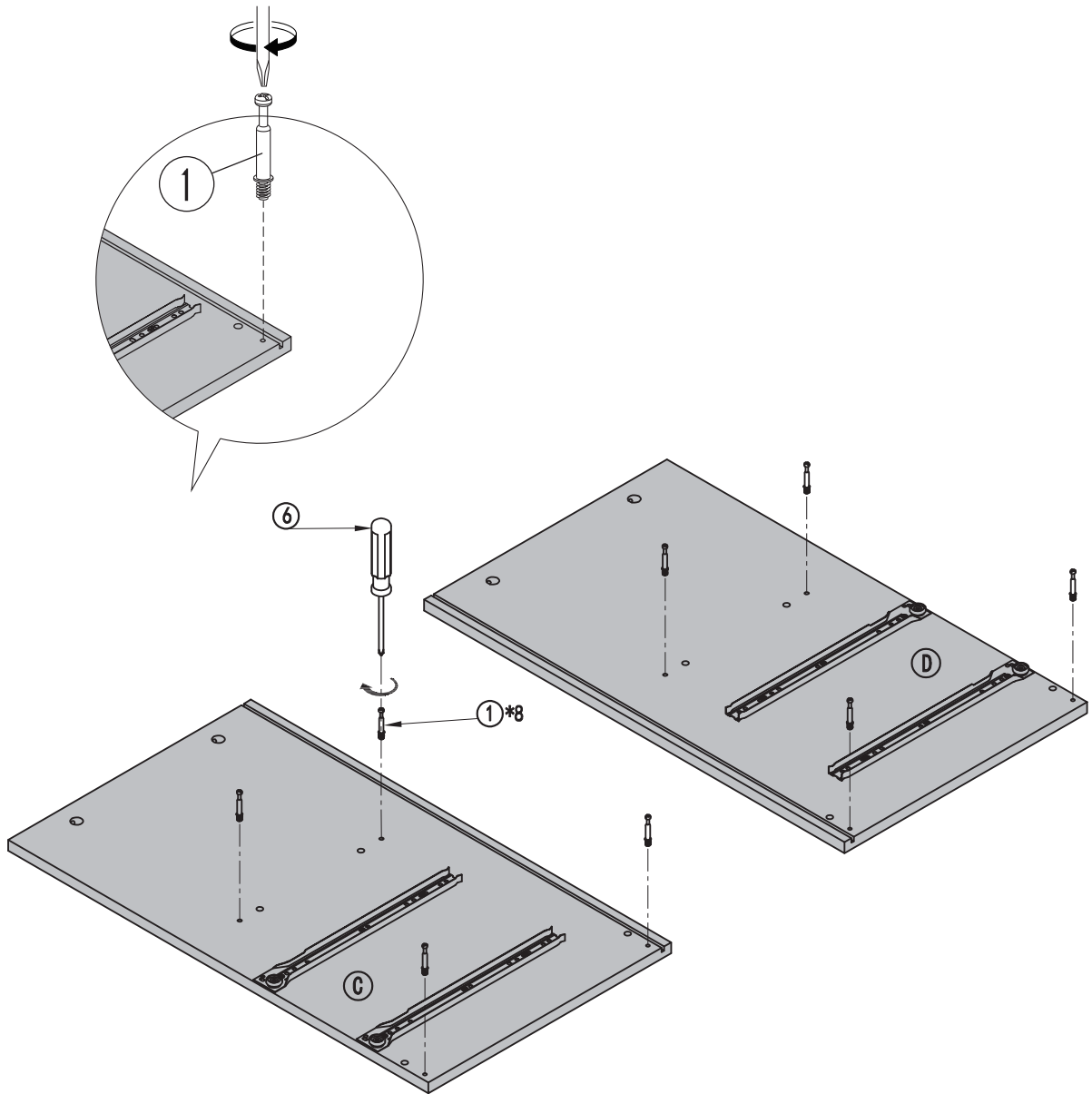


INTRODUCTION



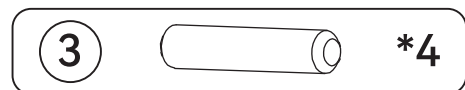
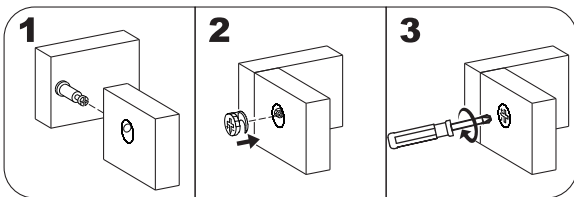
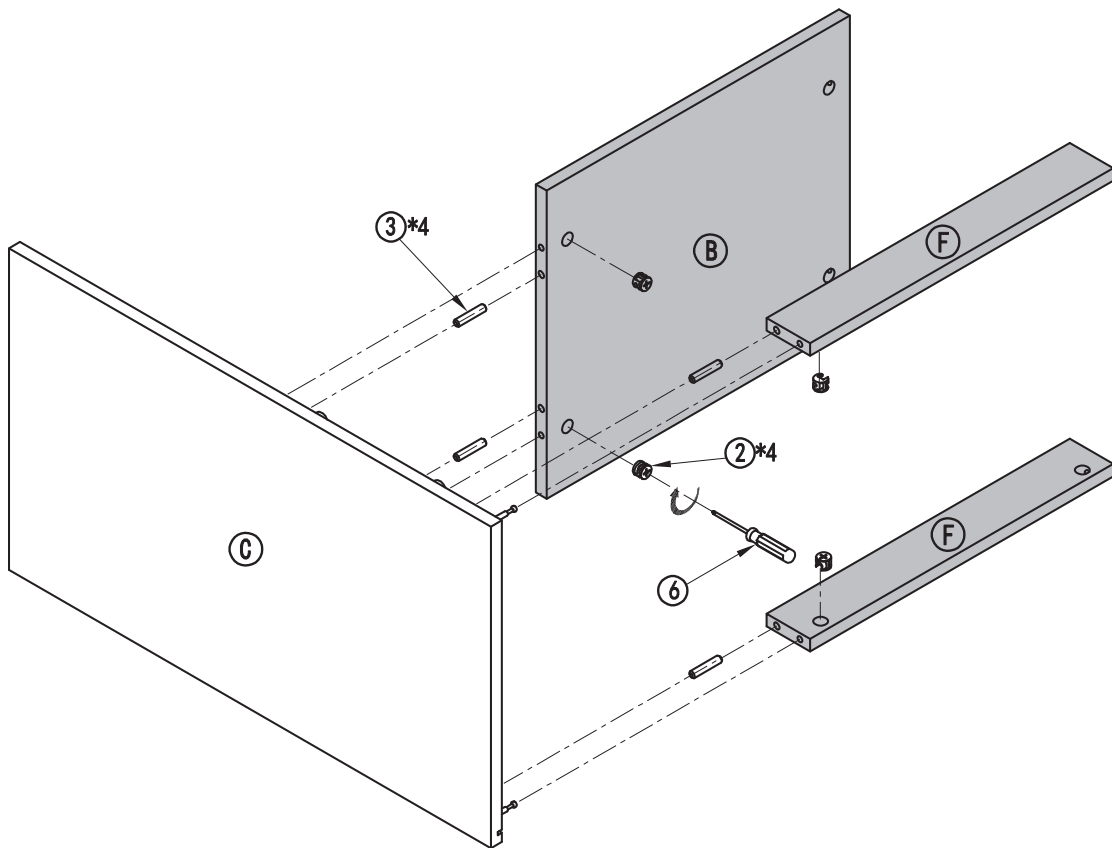
6

STEP 1



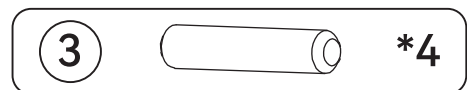
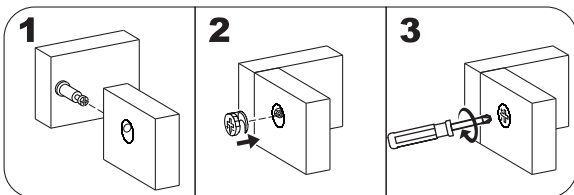
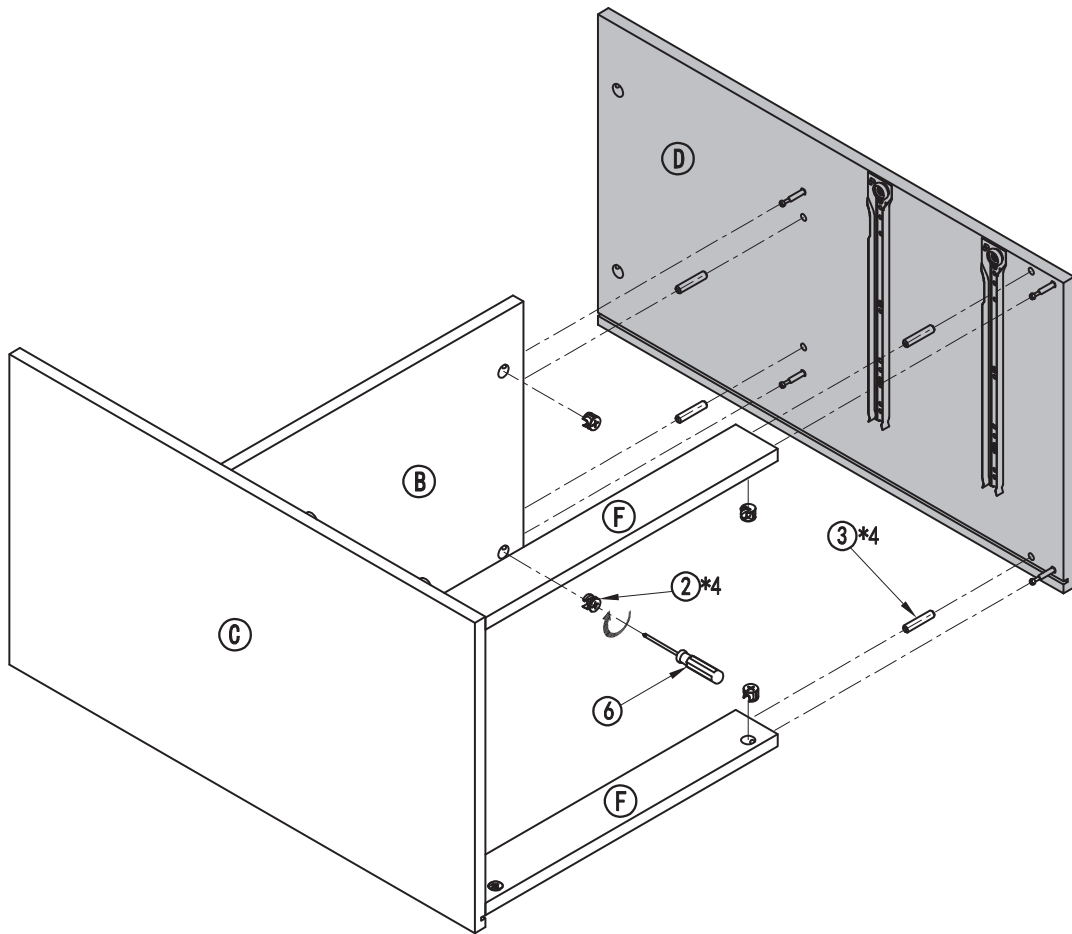
7

STEP 2



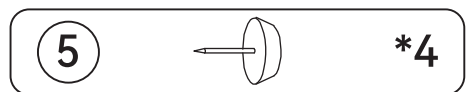
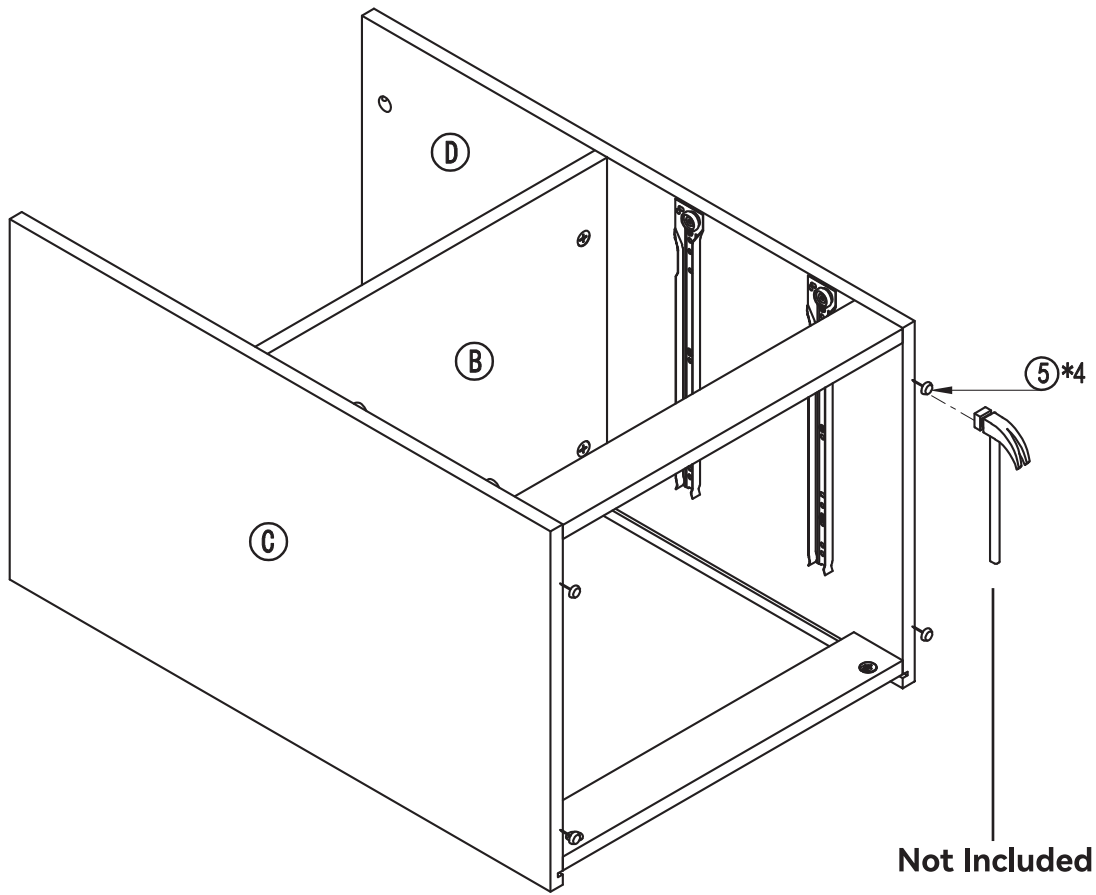
8

STEP 3



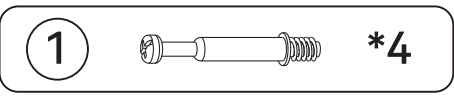
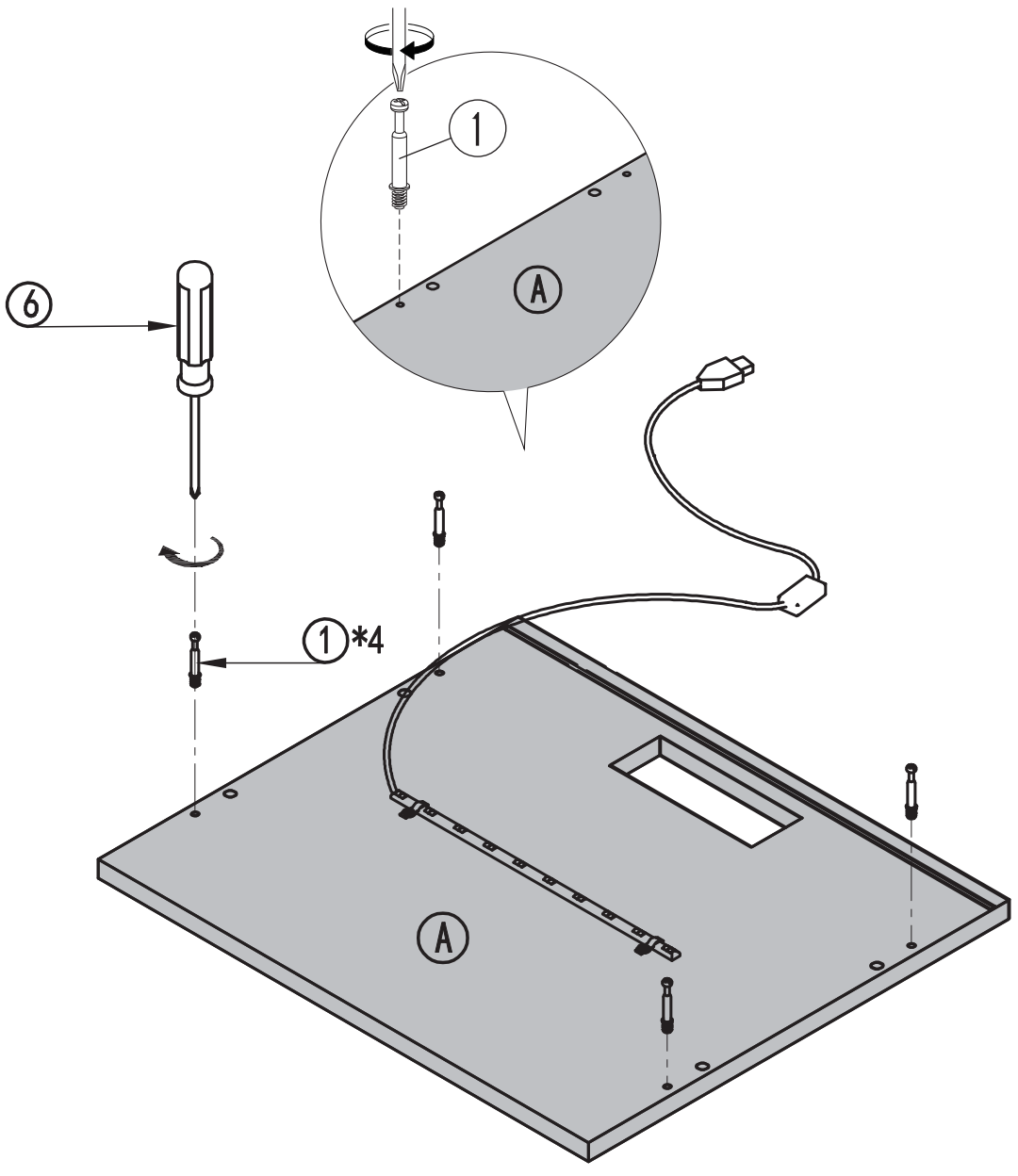
9

STEP 4

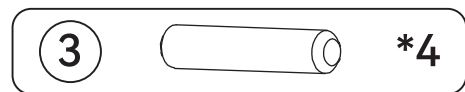
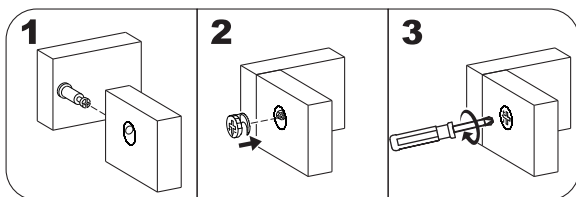
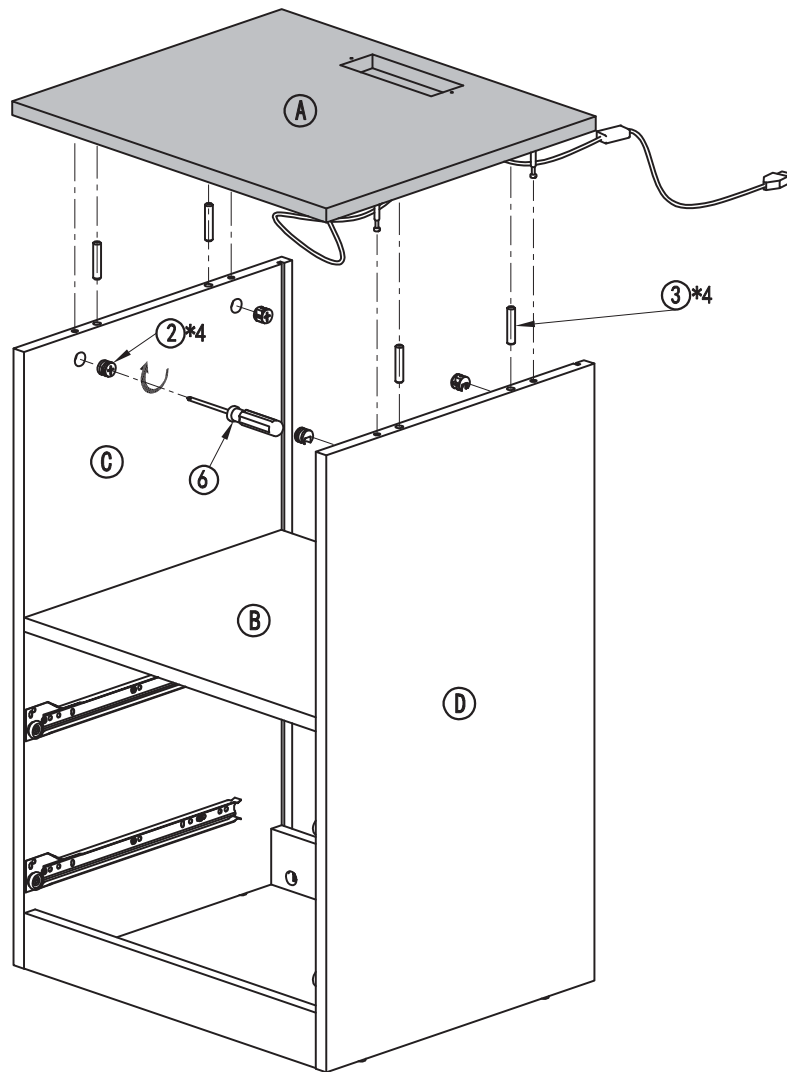


10

STEP 5

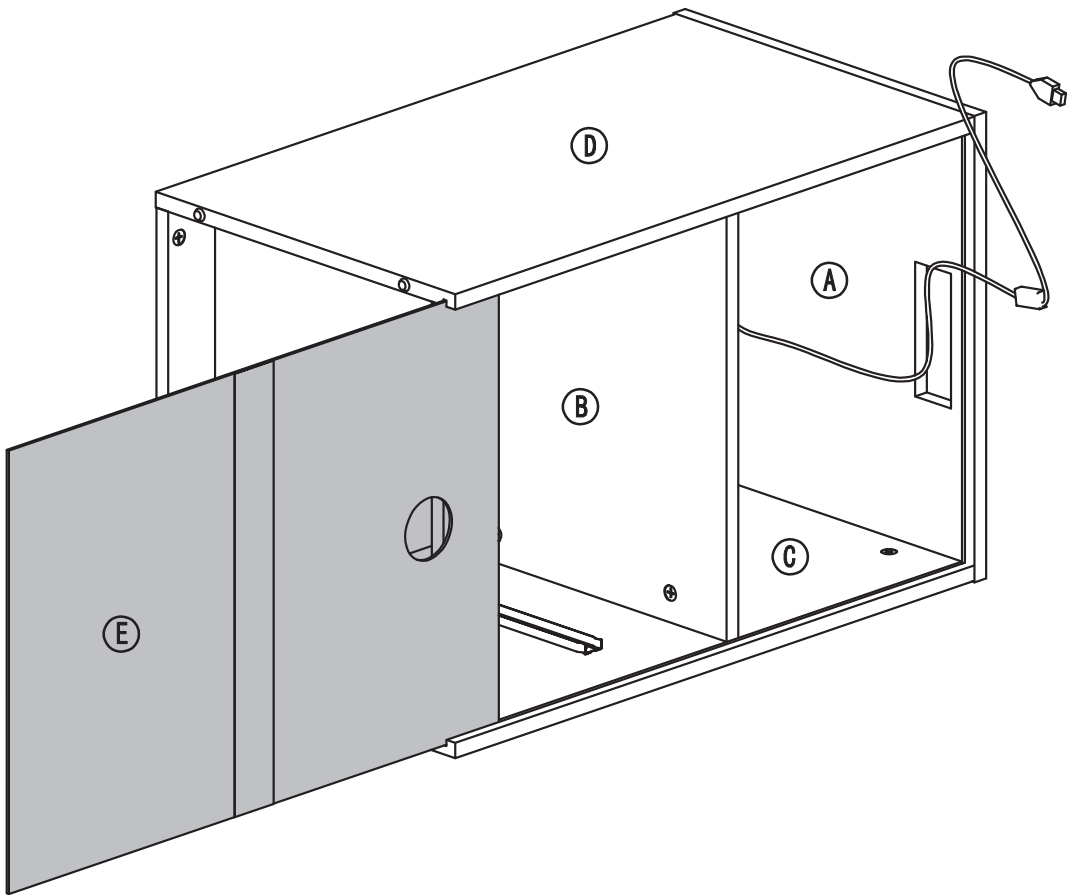


STEP 6



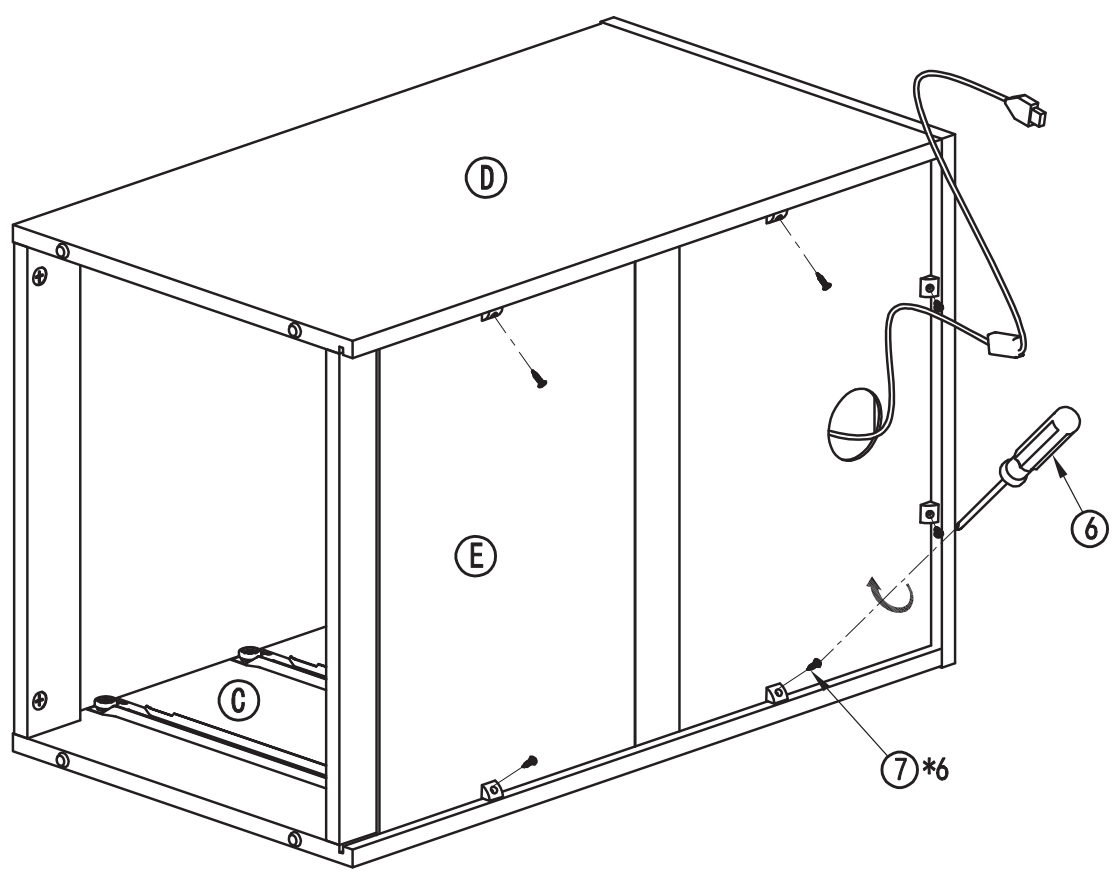
12



STEP 7



13

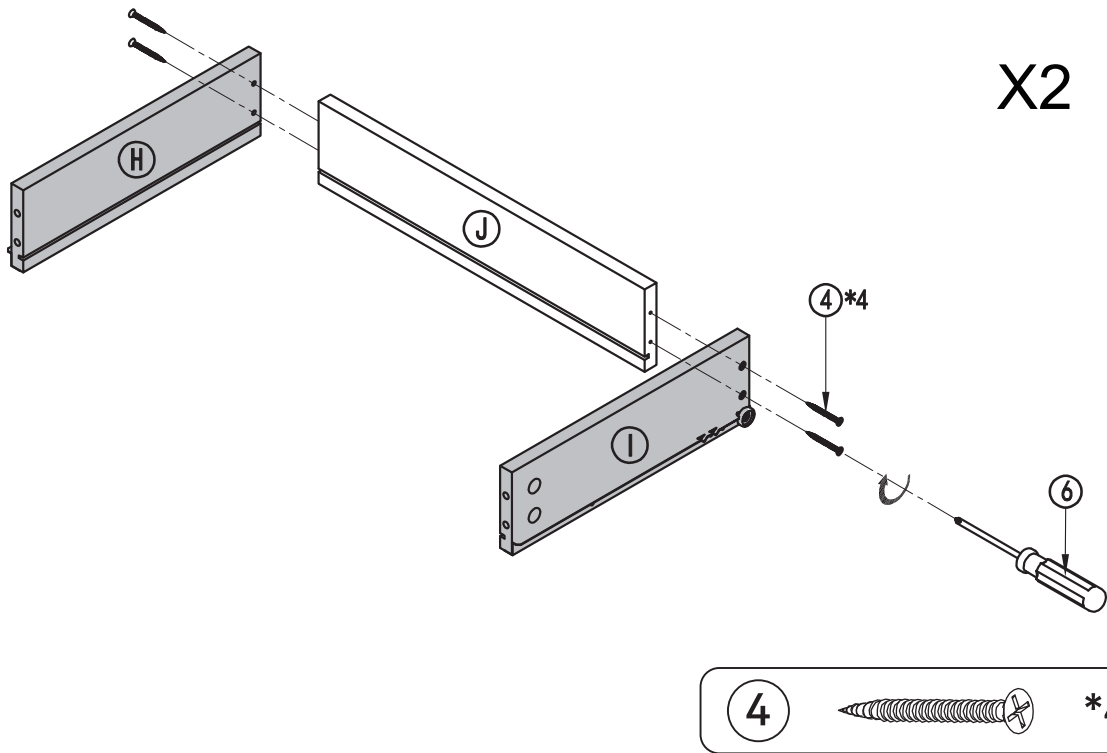
STEP 8



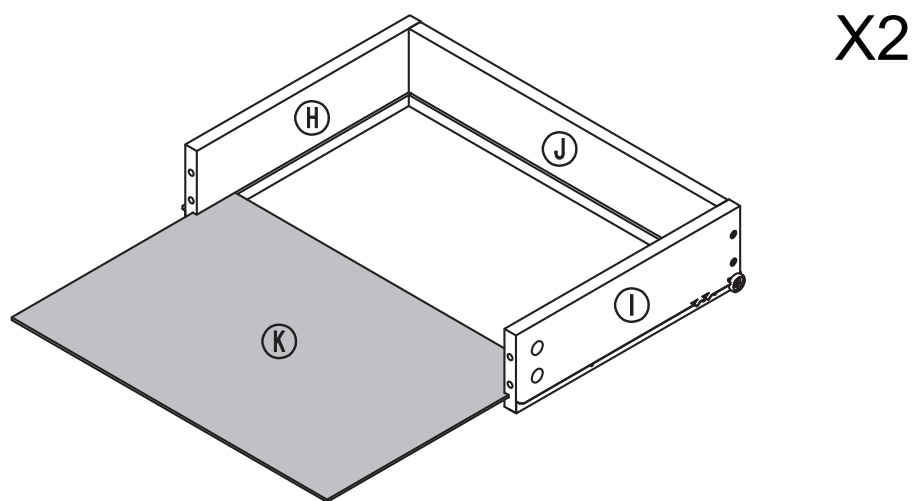
(7)   *6

14

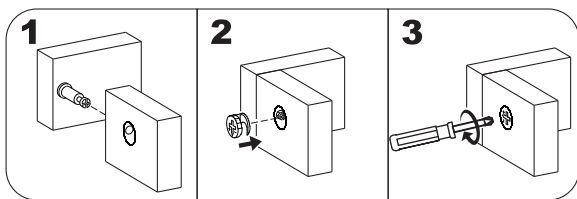
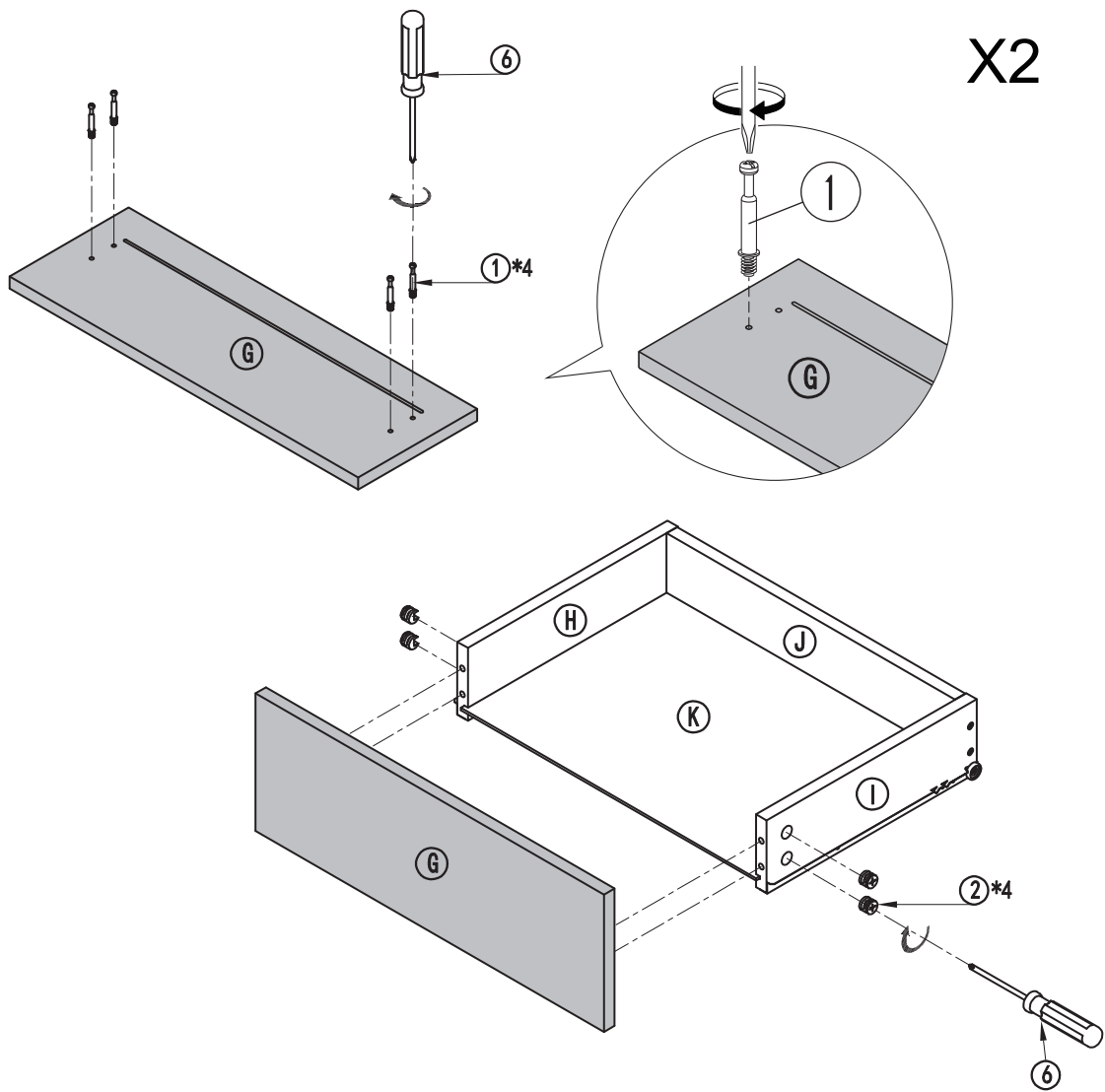
STEP 9

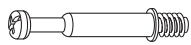


STEP 10



STEP 11

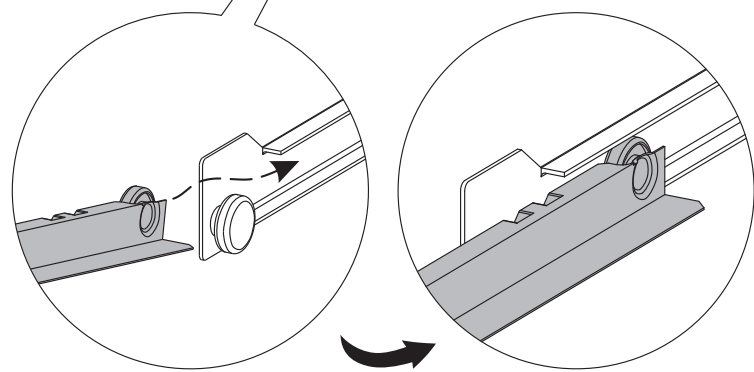
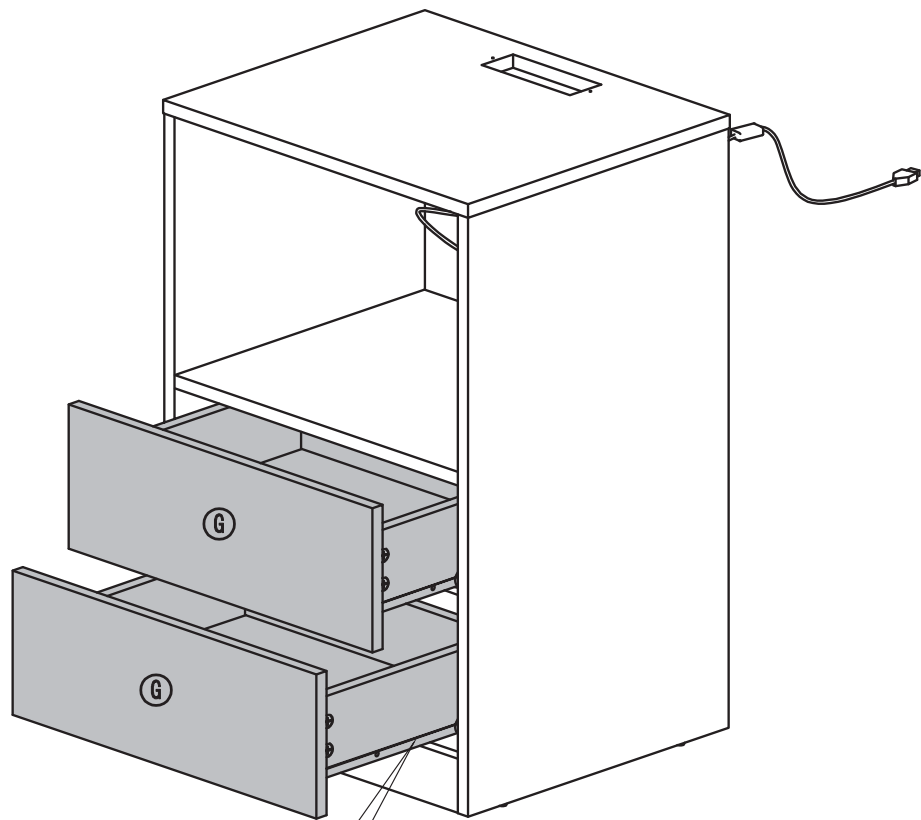


①  *4

②  *4

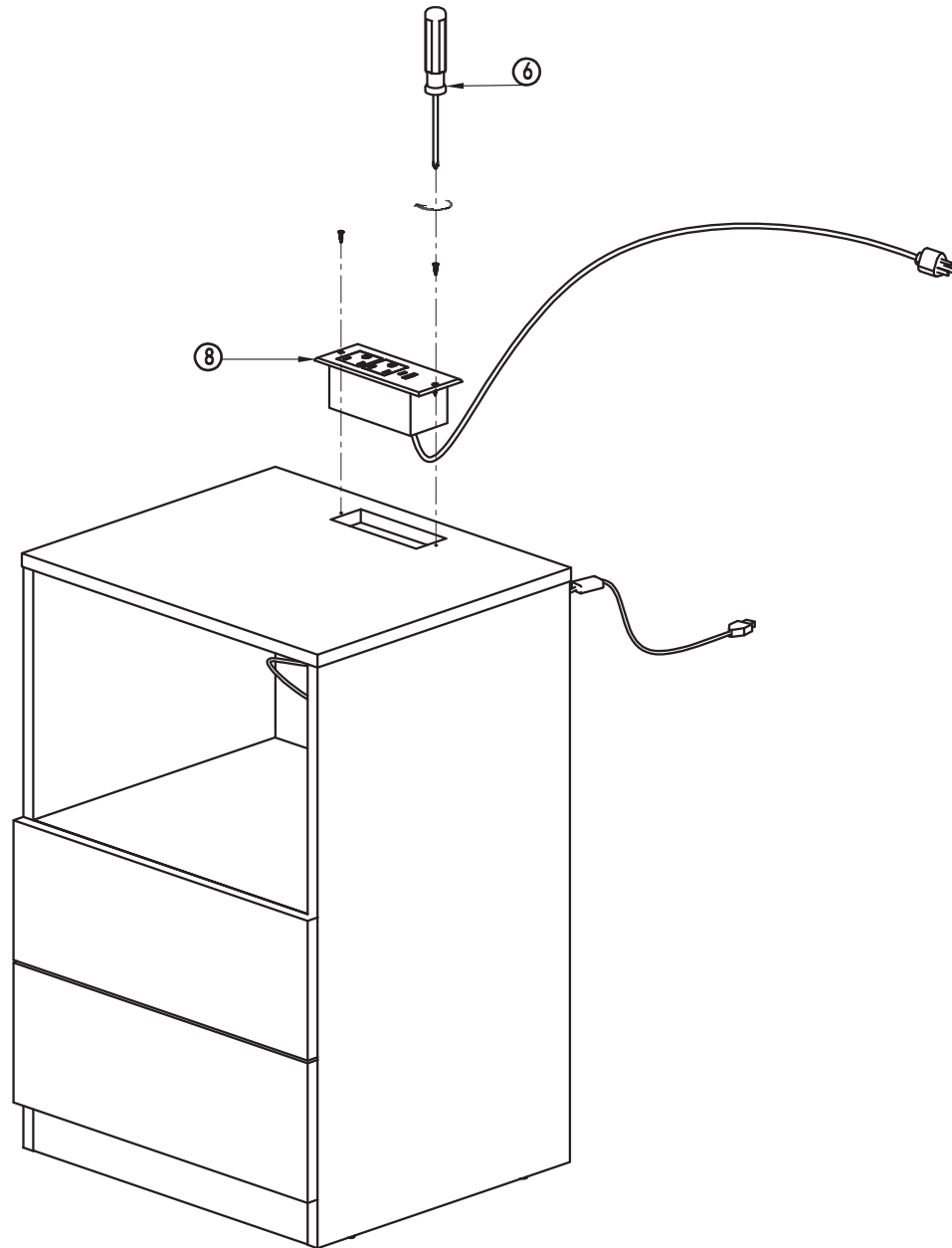
16

STEP 12



17

STEP 13

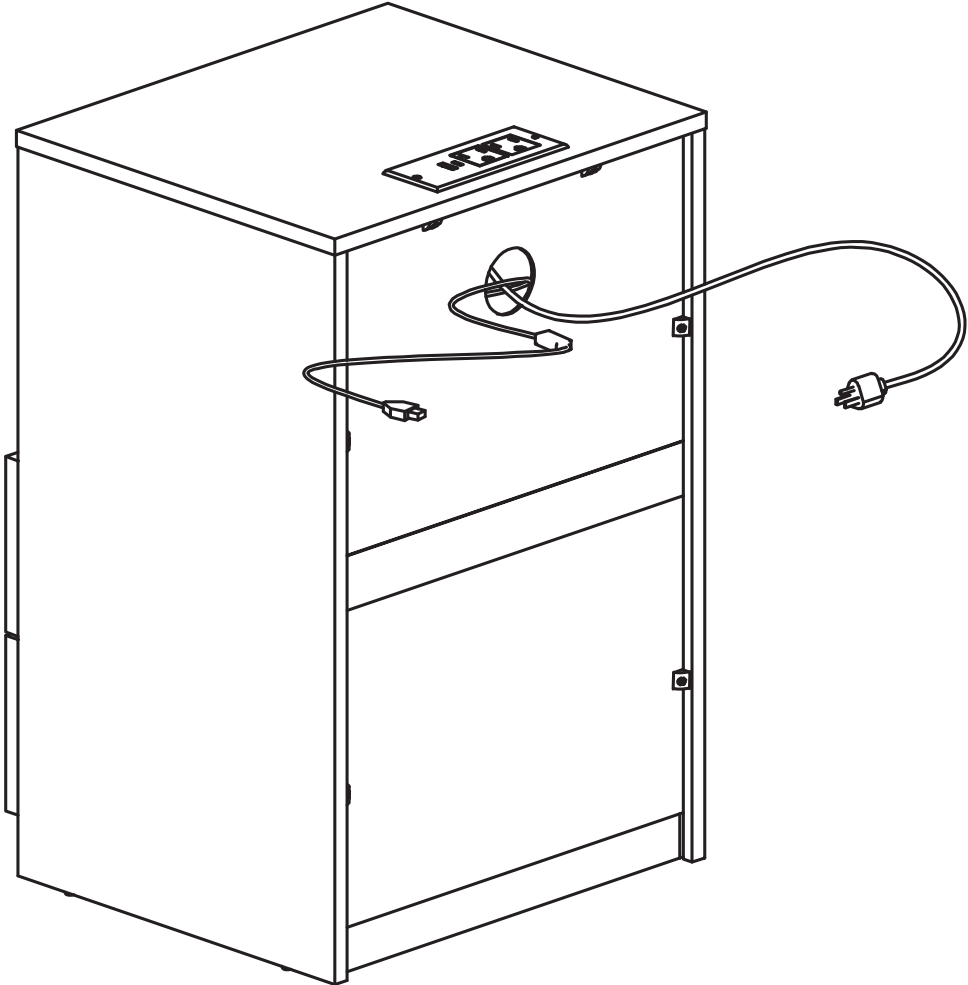


8 *1
162*55*40 3.5*12

The parts list shows a power outlet (8) and two screws (3.5*12). The outlet is shown with a power cord. The screws are shown as two separate screws.

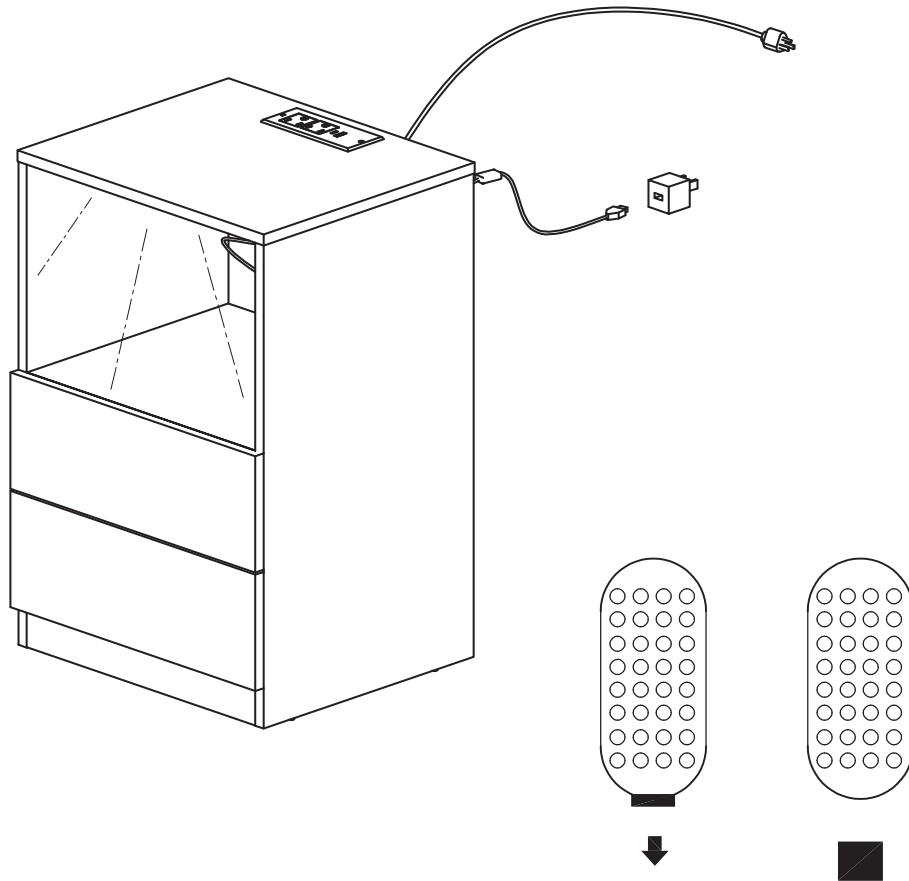
18

STEP 14



19

STEP 15



STEP 20

After the assembly is complete,
please follow the prompts to tear
off the protective film.

LED STRIP LIGHT User Manual


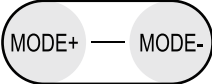








Product Parameters

- Model NO: LED Strip Lights
- LED Type: SMD5050
- Luminous Color: RGB
- Input Voltage of Adapter: AC110-240V
- Output Voltage of Adapter: DC5V
- Waterproof level: IP65
- Remote control range: 32FT~50FT
- Working Temperature: -20°C~+45°C
- Beam Angle: 120°



Remote control mode

	<p>In any state press these two keys to turn on/off the light strip.</p>
	<p>When light is on, press these two keys to reduce-or increase+brightness there are 10 brightness levels for adjustment.</p>
	<p>Press relevant keys to select particular colors</p>
	<p>Press this key to switch static colors There are 16 kinds for chosen.</p>

	<p>Press this key to activate auto color changing model in which color would change automatically and circularly.</p>
	<p>When color changing is activated, press this key to switch color changing modes.</p>
	<p>When color changing is activated, press this key to increase+or reduce-the changing speed There are 10 levels for chosen.</p>
	<p>When the light is on, press this button and the color will gradually change with the rhythm of the music. There are 1/2 default modes to choose from.</p>
	<p>When the light is on, press this button and the colour will change to the rhythm of the music. There are 5/6 modes to choose from.</p>
	<p>Press this button to lock current color or color changing model.</p>
	<p>Press this button, it will enter the 1-hour timer, and the product will be automatically turned off after 1 hour.</p>
	<p>Press this button, it will enter the 2-hour timer. and the product will be automatically turned off after 2 hour.</p>
	<p>Press this button, it will enter the 3-hour timer. and the product will be automatically turned off after 3 hour.</p>
	<p>Press this button, it will enter the 4-hour timer. and the product will be automatically turned off after 4 hour.</p>

APP mode

This APP program requires that the minimum systems of your phones is Android 4.3 or iOS 8.0. No limit for mobile phone configuration.



You can download APP by scanning QR codes on iOS or Android systems

Use Apps with scanning function such as browser to scan the QR code

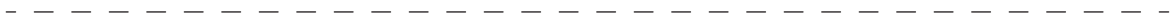
Kindly launch the strip lights control application on your mobile device that enables you to connect one or multiple LED strips via Bluetooth and allows you to set and control various LED strips simultaneously. Functions are listed as follows:

1. Adjust the brightness and color temperature of 60 kinds of colors for both colorful LED strip and monochrome LED strip;
2. Playing any music on your phone or in the Apps with music function would make the colors and brightness of the light change automatically according with the music rhythm, which is absolutely beautiful.
3. The multiple color change modes makes the color change automatically and would keep changing even the phone is disconnected with the strips lights.
4. Long distance control without direction restriction and multiple controls is allowed
5. Once been connected, your phone would connect to the light strips automatically after you turn on your bluetooth.

23



- Click to go to Group Management
- Click to select device
- Click to select the most recently connected device



Click to show the lamp list

Switch the colorwheel

Click to display settings view

Switch light

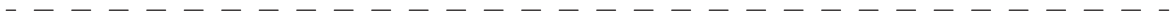
Adjust the color

Frequent used color (can be change)

Classic colors

Click square icon to adjust the color

Click to shift the interface



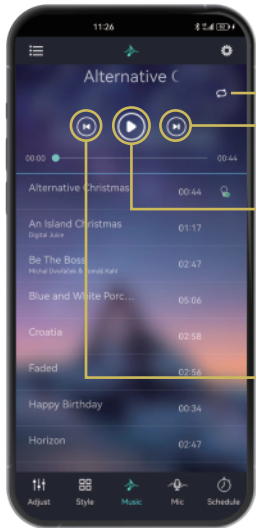
- Show the modified color
- Adjust the RGB values separately
- RGB value
- Save the new values



↑
Scroll the selection mode
↓

← Adjust speed →

← Adjust brightness →

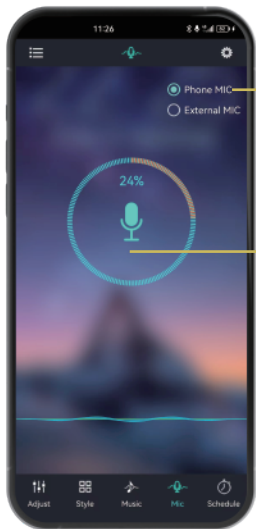


Recycle mode

Next song

Pause/Play

Previous song



Capture the sound by the microphone of the phone

Pause/resume rhythmic function

Color change according to the surrounding voices change

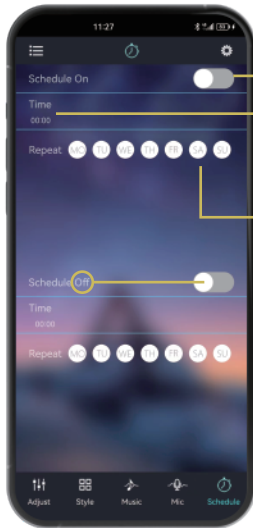


Switch to external MIC on PCB board for realcatching of music and sound

Enable/disable rhythm function

4-style rhythm

Change the sensitivity of MIC to match the sourno



Enable or disable the Light-On function

Set the time of Light-On

Repeat setting No selection for once Light- On/Light-Off



Click to save the new assignment

Change the real color- of this line

Troubleshooting

Fault conditions	Possible causes	Exclusion method
The product shakes	<ol style="list-style-type: none"> 1. Screw installation error 2. The screw is damaged 3. Check that the screws are not tightened in place 	<ol style="list-style-type: none"> 1. Install the correct screws in the correct position according to the instructions 2. Replace and use the supplied spare screws 3. Tighten the loose screws
The light strip does not work	<ol style="list-style-type: none"> 1. The small gasket of the remote control is not pulled out 2. The adapter fails to receive the signal due to the obstruction or distance 	<ol style="list-style-type: none"> 1. Pull out the small gasket of the remote control 2. Align the remote control with the receiving port (within 15 meters)
Drawers cannot be used normally	<ol style="list-style-type: none"> 1. The drawer guide rail is not installed correctly 2. The drawer is not correctly clamped 	<ol style="list-style-type: none"> 1. Install the drawer guide rail at the corresponding hole according to the instructions 2. Shake the drawer to combine it with the slide rail

WARRANTY & SUPPORT

Thanks for purchasing our product. For any advice about the product or wanna know other products