

CARE AND MAINTENANCE

Store outdoor furniture indoors or cover well when not in use.

Remove wooden furniture from standing water. Dust regularly with small brush or vacuum

Spills should be taken care of immediately before they harden or stain with a slightly dampened sponge.

NOTICE

- * Please make sure that you have all parts indicated before you begin assembly of this item
- * This item should be assembled on a soft surface to prevent scratching the finish during assembly
- * This item may require periodic tightening

Weight Capacity :484 Ibs

Warning : Do not stand on chair

Warning : Do not over torque bolts / screws



Part List and Hardware List

PIECE	DESCRIPTION	PICTURE	QUANTITY	PIECE	DESCRIPTION	PICTURE	QUANTITY
A	Legs Front		2X	L	Bolt	(8 x 30)	4X
B	Legs back		2X	M	Sleeve Nut	(8 x 15)	6X
C	Frame Seat		1X	N	Washer plastic		4X
D	Frame back		1X	O	Allen Key	LG4	2X
E	Support Leg		2X	Product Dimensions:61.8" W x 28.35" D x 30.1" H 			
F	Frame side		2X				
G	Seat Cushion		1X				
H	Back Cushion		2X				
I	Screw	(6 x 60)	4X				
J	Screw	(6 x 20)	8X				
K	Bolt	M8x45	6X				

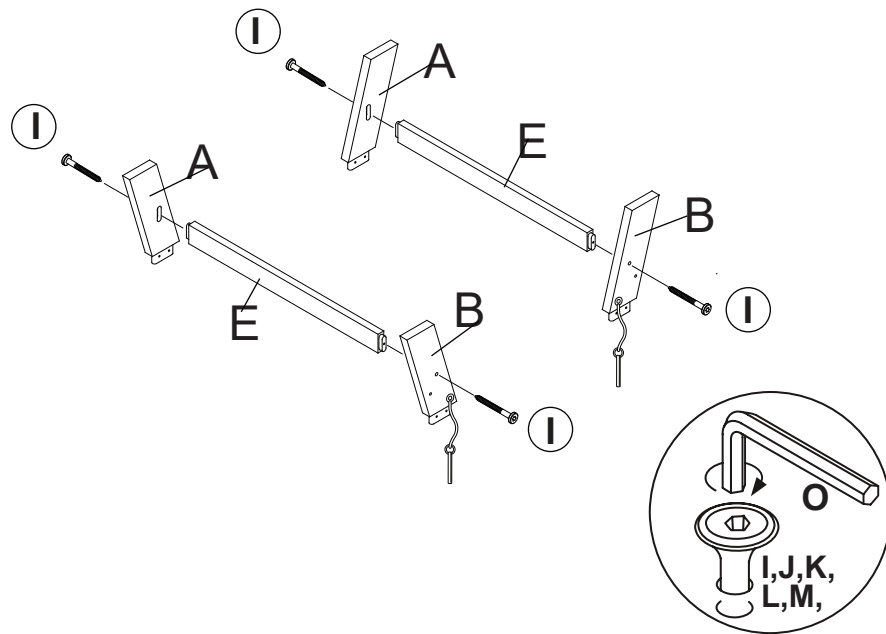
PREPARATION

Before beginning assembly of product, make sure all parts are present. Compare parts with package contents list and hardware contents list. If any part is missing or damaged, do not attempt to assemble the product.

Estimated Assembly Time: 10 minutes.

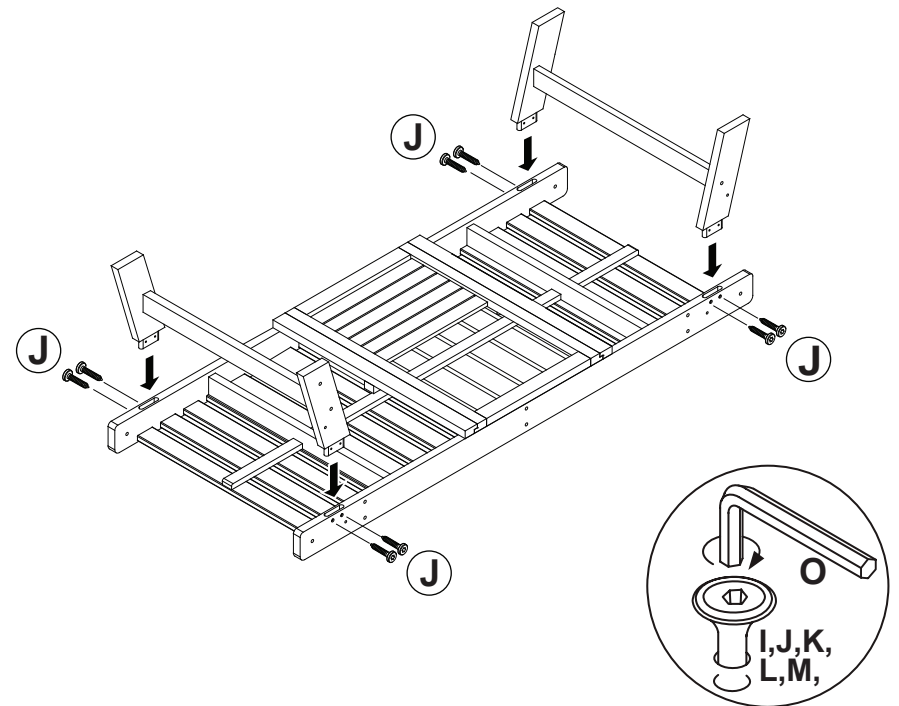
Tools Required for Assembly (included): Allen Key

1



Step 1
Tighten screws (I) with allen key (O) to attach back legs (A) and Support leg (E)

2



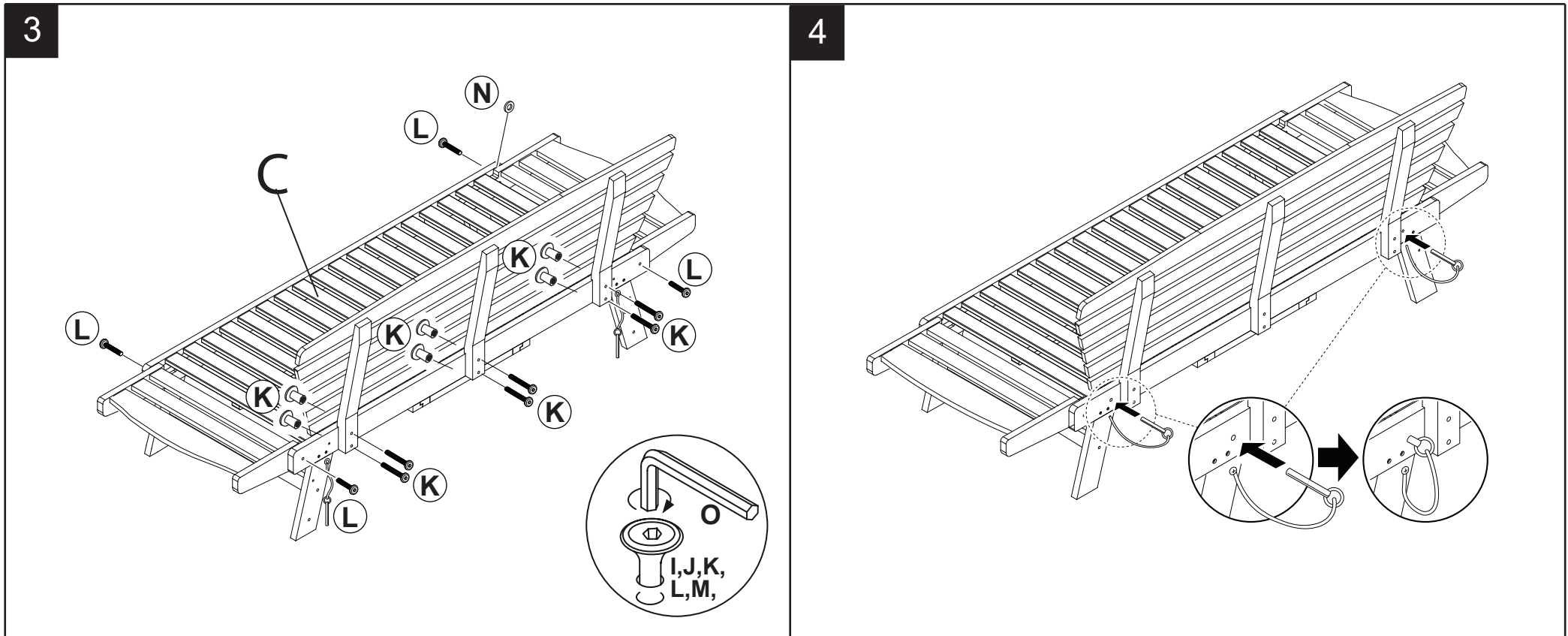
Step 2 Tighten Screws (J) with allen key (O) to attach Leg extra (A),(B) seat frame (C).

PREPARATION

Before beginning assembly of product, make sure all parts are present. Compare parts with package contents list and hardware contents list. If any part is missing or damaged, do not attempt to assemble the product.

Estimated Assembly Time: 10 minutes.

Tools Required for Assembly (included): Allen Key



Step 3

Step 3.1 Tighten bolt (L) and Washer(N) with allen key (O) to attach Seat frame (C) and Side frame (F).

Step 3.2 Tighten bolt (K) and Sleeve(M) with allen key (O) to back frame (D) and seat frame (C)

Step 4 SAFETY LOCK

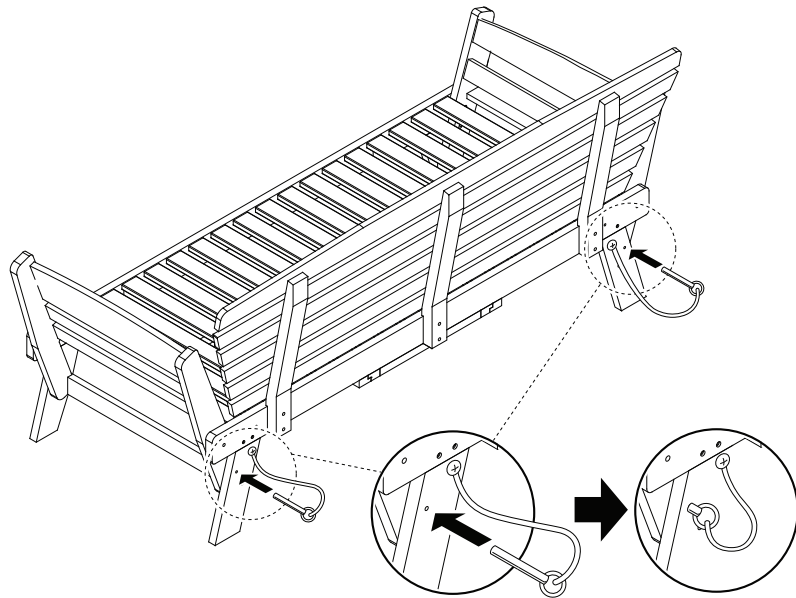
PREPARATION

Before beginning assembly of product, make sure all parts are present. Compare parts with package contents list and hardware contents list. If any part is missing or damaged, do not attempt to assemble the product.

Estimated Assembly Time: 10 minutes.

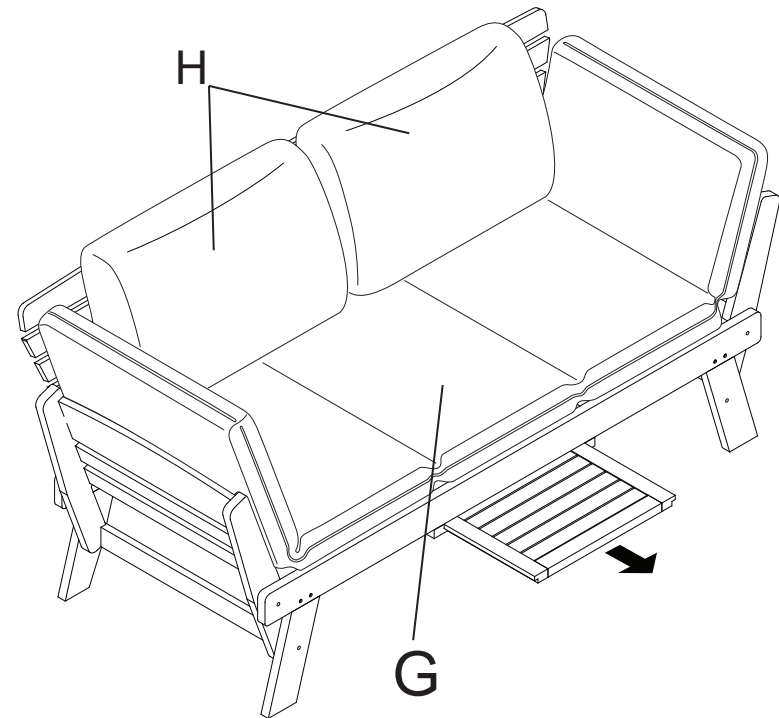
Tools Required for Assembly (included): Allen Key

5



Step 5 SAFETY LOCK

6



Step 6 Attach Ensure all screws are fully locked into position
Place Seat Cushion (G), Back Cushion (H) into the Chair.
The Chair is ready to be used