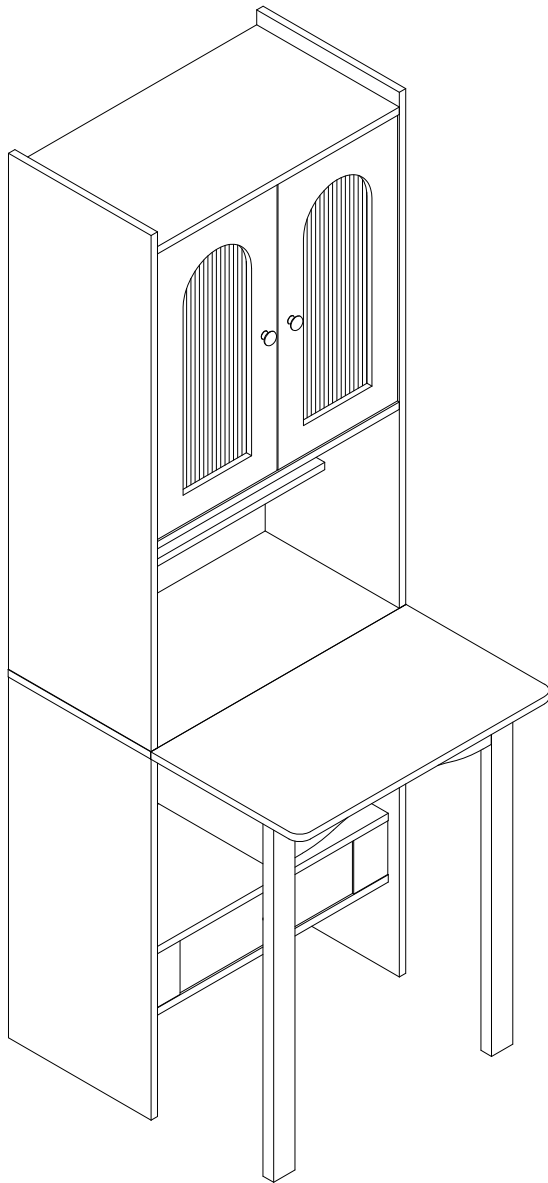


# Installation & Assembly



## WARNING!

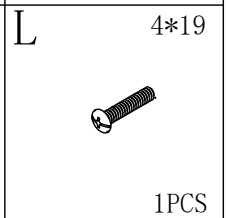
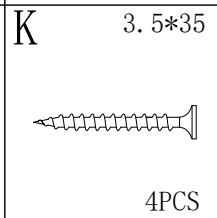
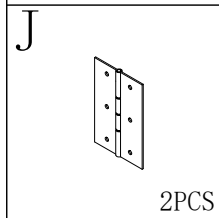
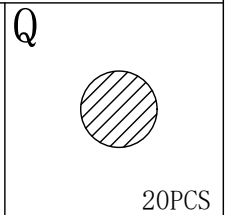
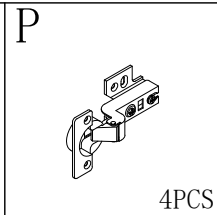
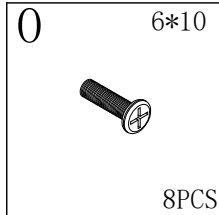
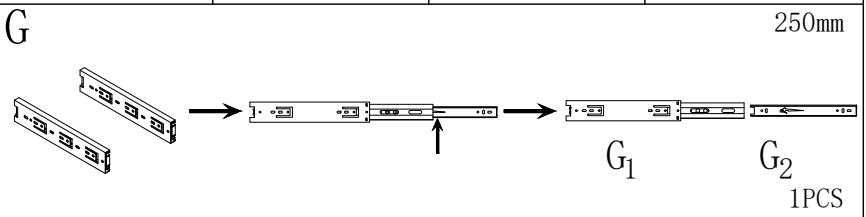
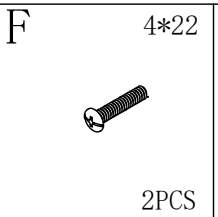
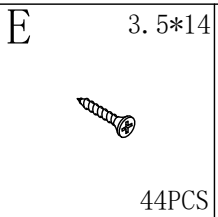
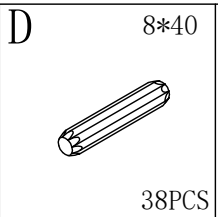
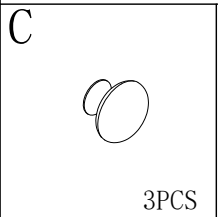
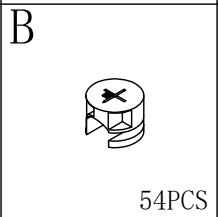
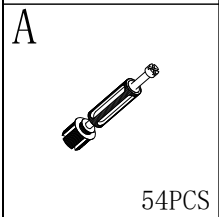
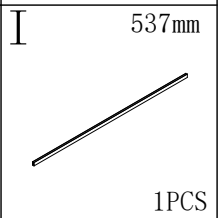
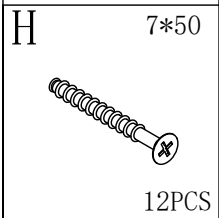
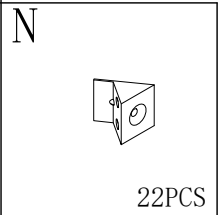
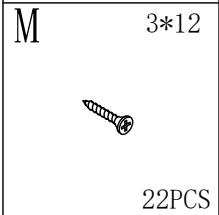
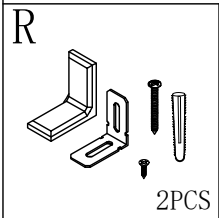
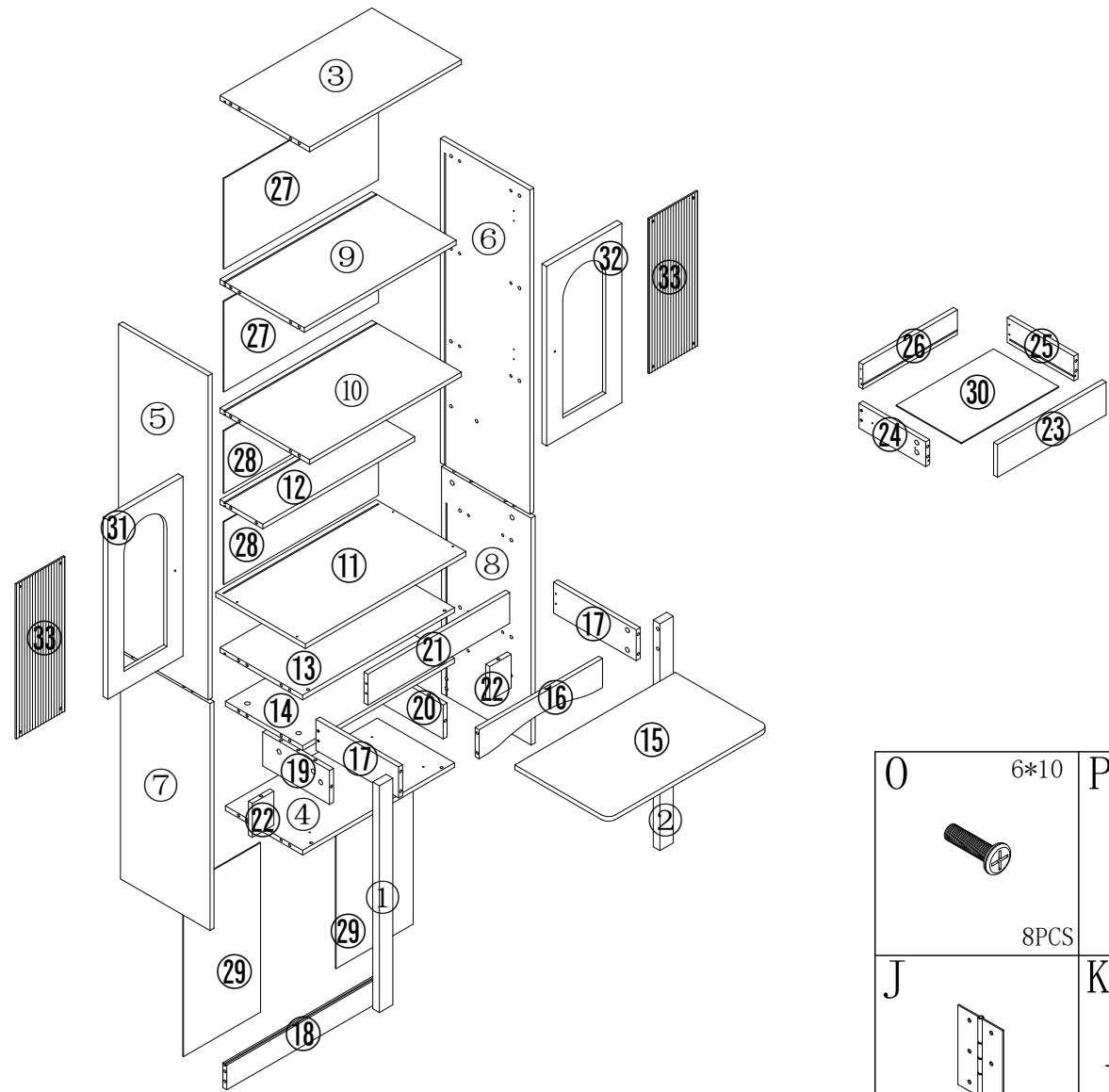
Children have died from furniture tipover. Fixed wall device have been included with this product;you must install the fixed wall device according to these instructions in order to minimize the risk of furniture.If you have any questions about this product or the Fixed wall device , please contact us immediately.

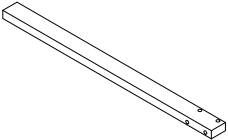
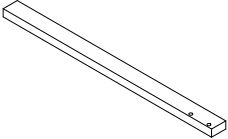
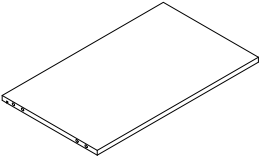
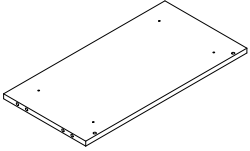
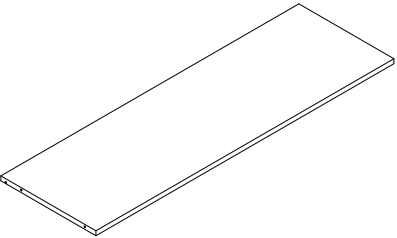
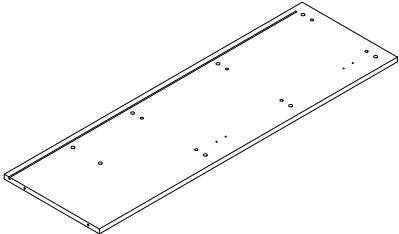
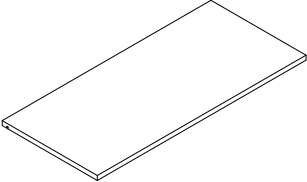
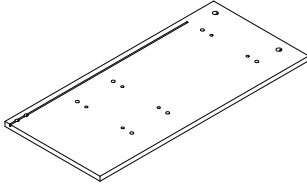
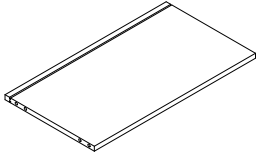
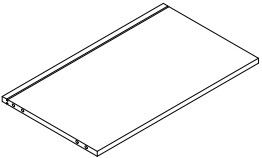
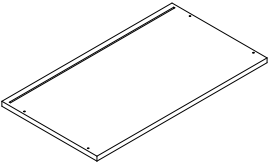
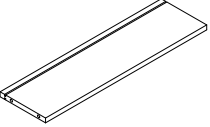
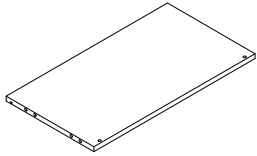
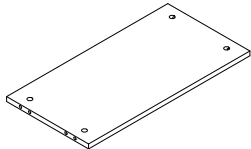
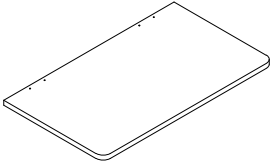
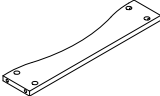
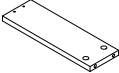
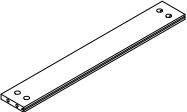
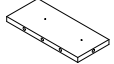
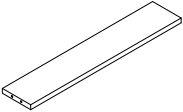
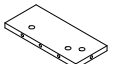
Never allow children to climb or hang on furniture,including drawers or cabiner doors.

In addition to installing the restrains,to help prevent tip-over.

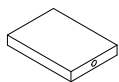
1. Never put a TV or other heavy objects on top of this product.
2. Do not stand on the product.

<b>⚠ WARNING</b>	
	<p><b>Children have died from furniture tipover. To reduce the risk of furniture tipover:</b></p> <ul style="list-style-type: none"><li>• ALWAYS install tipover restraint provided.</li><li>• NEVER put a TV on this product.</li><li>• NEVER allow children to stand, climb or hang on drawers, doors, or shelves.</li><li>• NEVER open more than one drawer at a time.</li><li>• Place heaviest items in the lowest drawers.</li><li>• Do not defeat or remove the drawer interlock system.</li></ul>
	<p><i>This is a permanent label. Do not remove!</i></p>



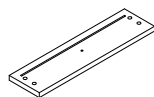
<p>1</p>  <p>734.5*50 1PS</p>	<p>2</p>  <p>734.5*50 1PS</p>	<p>3</p>  <p>568*335 1PS</p>	<p>4</p>  <p>568*289 1PS</p>	<p>5</p>  <p>1050*335 1PS</p>
<p>6</p>  <p>1050*335 1PS</p>	<p>7</p>  <p>735*335 1PS</p>	<p>8</p>  <p>735*335 1PS</p>	<p>9</p>  <p>568*315 1PS</p>	<p>10</p>  <p>568*335 1PS</p>
<p>11</p>  <p>600*335 1PS</p>	<p>12</p>  <p>568*160 1PS</p>	<p>13</p>  <p>568*309 1PS</p>	<p>14</p>  <p>568*289 1PS</p>	<p>15</p>  <p>600*350 1PS</p>
<p>16</p>  <p>462*94 1PS</p>	<p>17</p>  <p>309*100 2PS</p>	<p>18</p>  <p>568*80 1PS</p>	<p>19</p>  <p>250*110 1PS</p>	<p>21</p>  <p>530*100 1PS</p>
			<p>20</p>  <p>250*110 1PS</p>	

22



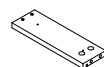
110\*80 2PS

23



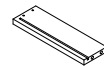
406\*106 1PS

24



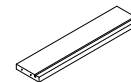
250\*80 1PS

25



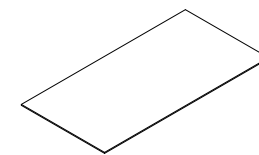
250\*80 1PS

26



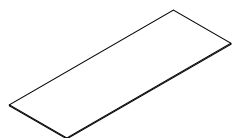
354\*80 1PS

27



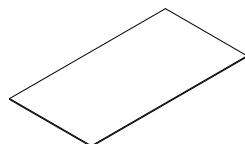
578\*293 2PS

28



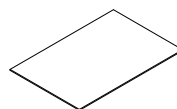
578\*202.5 2PS

29



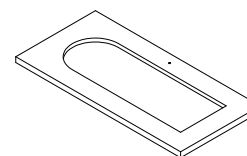
288\*549 2PS

30



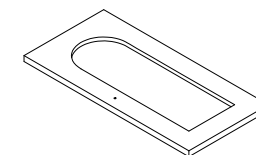
364\*244 1PS

31



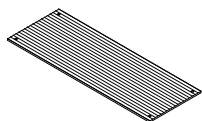
581\*281 1PS

32



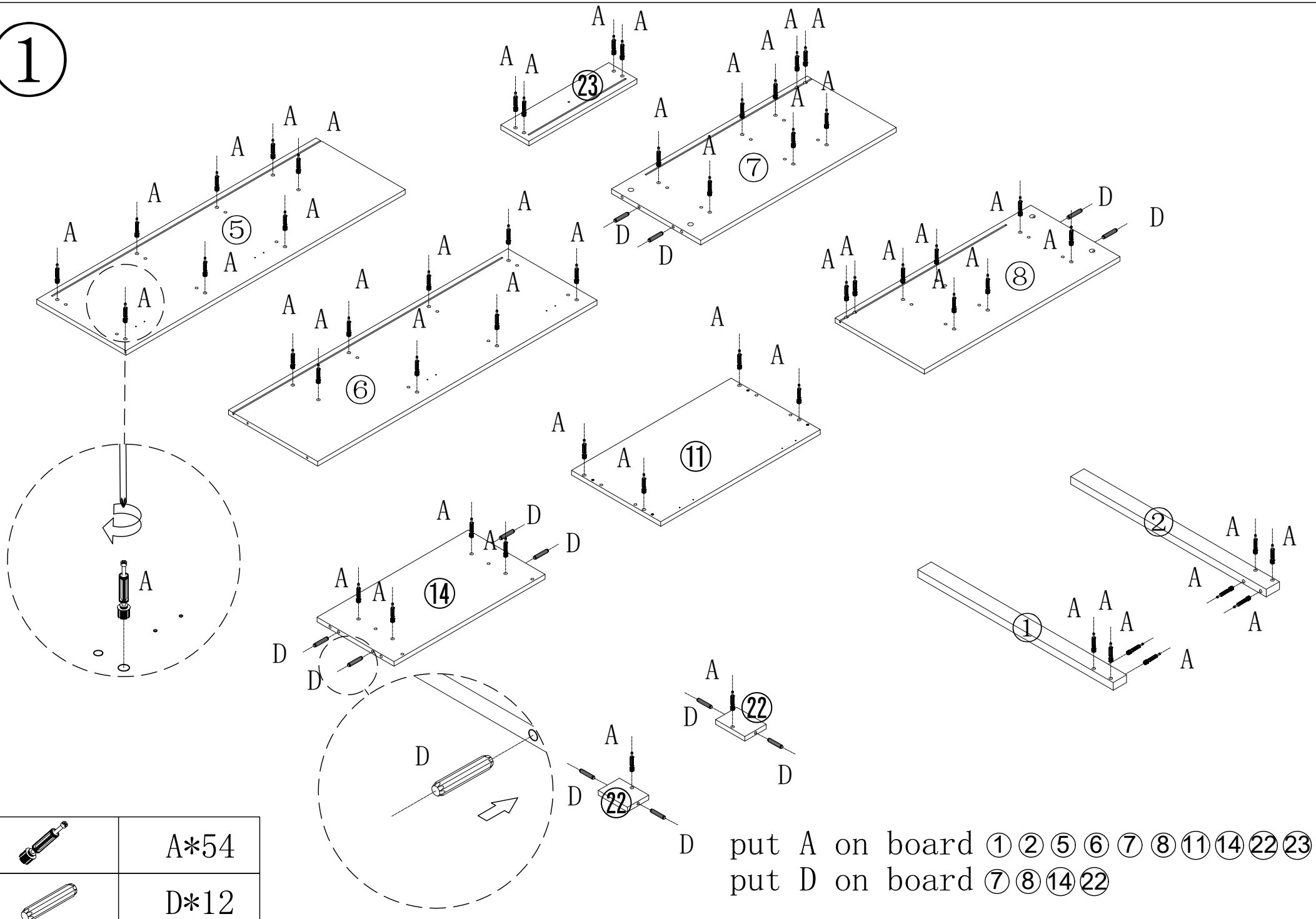
581\*281 1PS


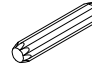
33



501\*181 2PS

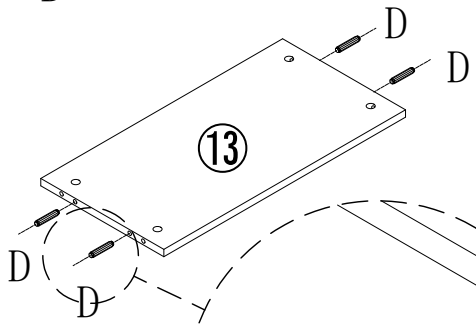
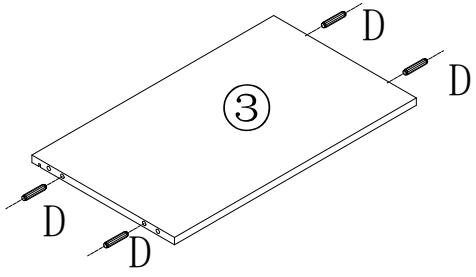
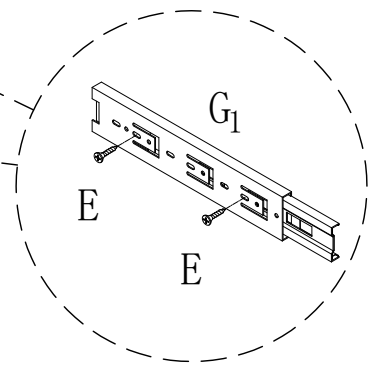
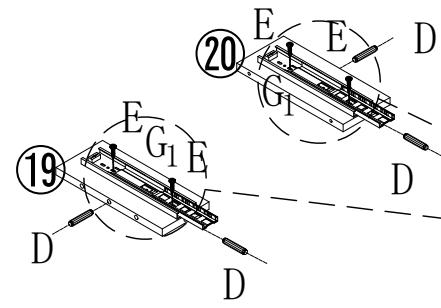
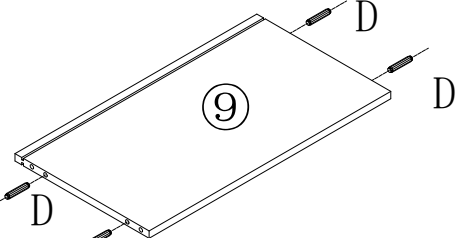
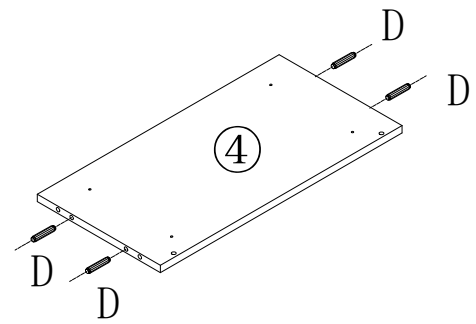
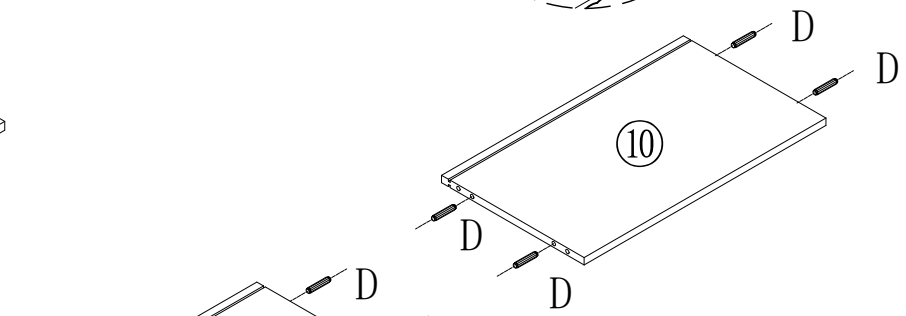
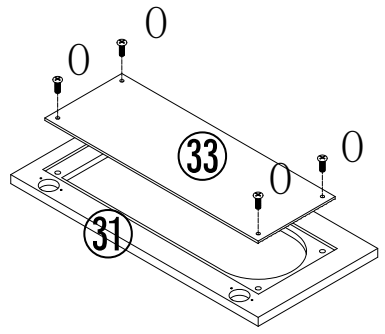
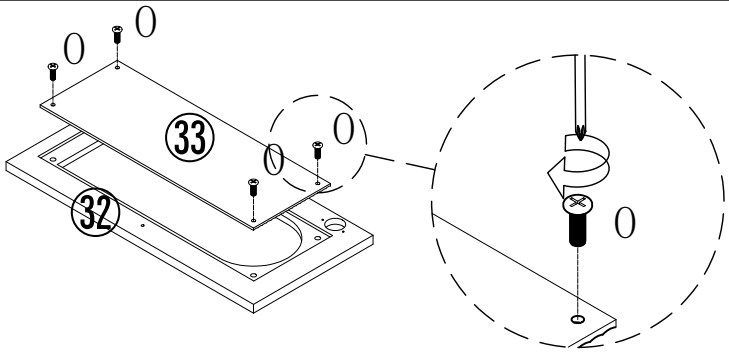
# 1



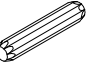



	A*54
	D*12

put A on board ① ② ⑤ ⑥ ⑦ ⑧ ⑪ ⑭ ⑲ ⑳ ㉓  
 put D on board ⑦ ⑧ ⑭ ㉒

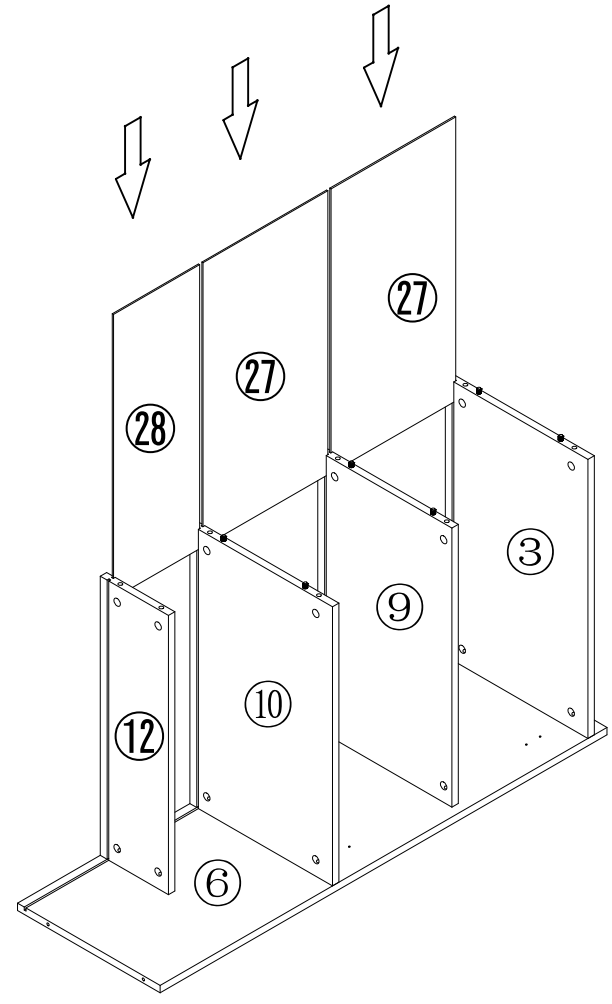
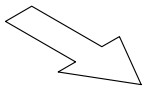
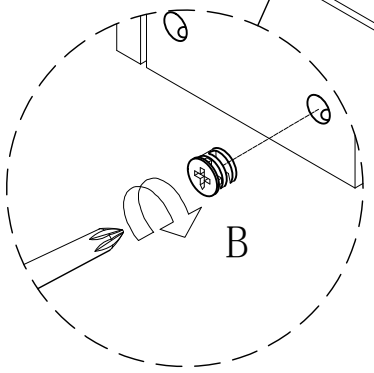
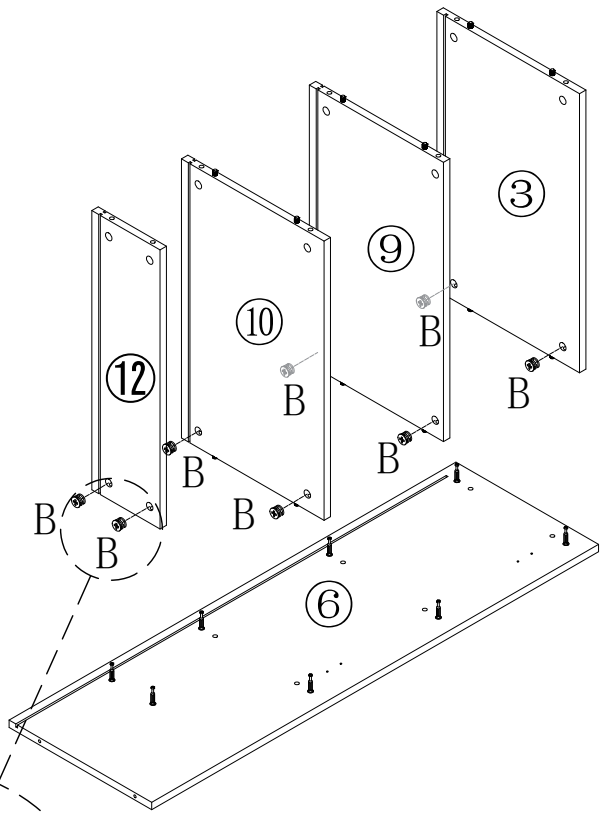
2



	E*4
	G <sub>1</sub> *2
	D*24
	0*8

put E G<sub>1</sub> on board 19 20  
 put D on board 3 4 9 10 13  
 put 0 on board 33

3



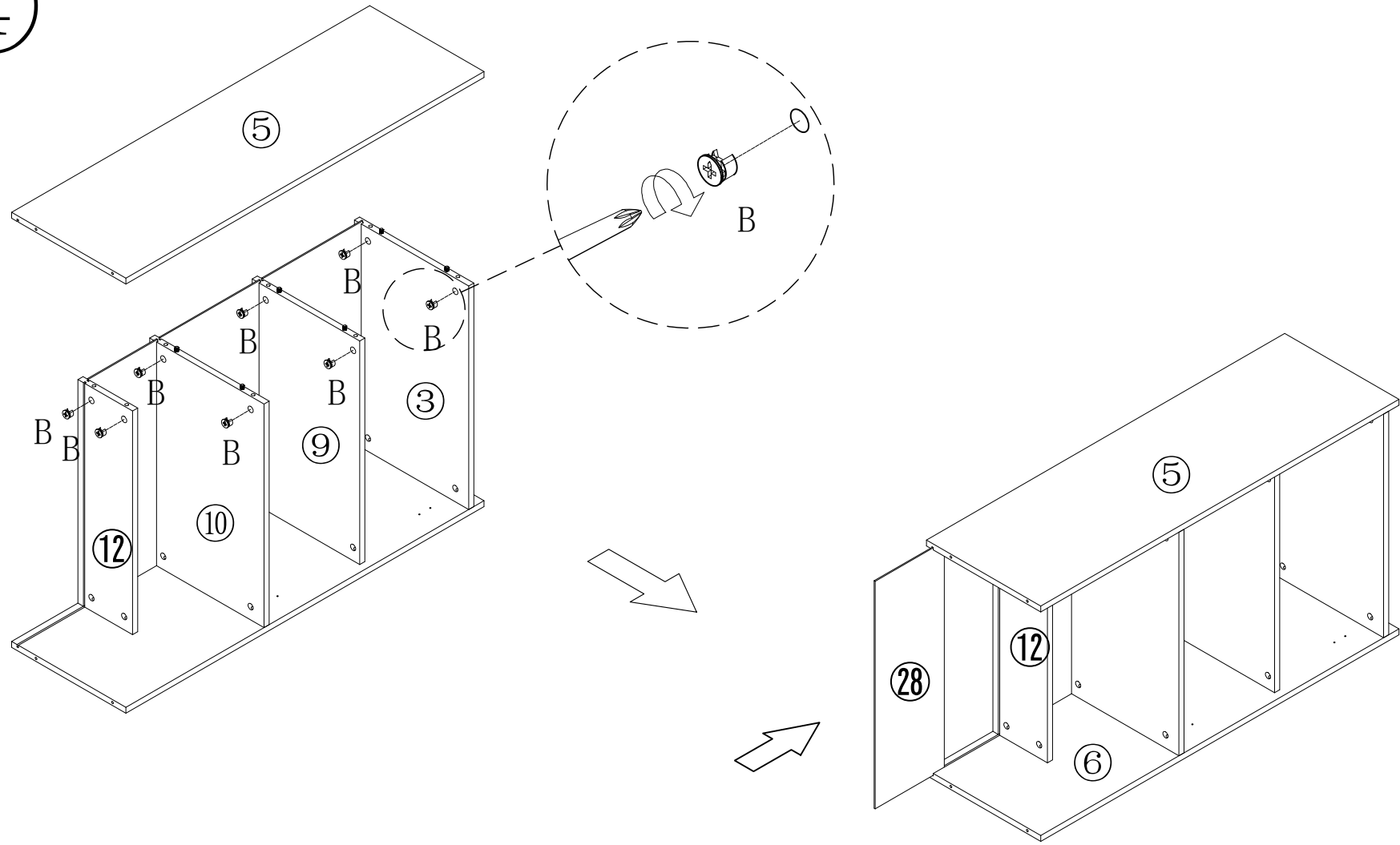
Make sure the arrow on the screw align to the hole on the side.

put B on board 3 9 10 12



B\*8

4



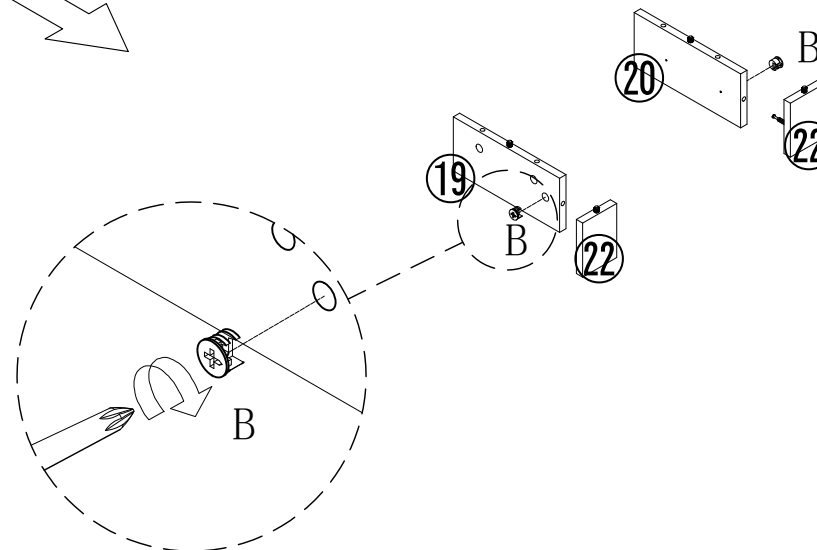
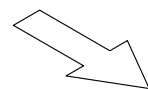
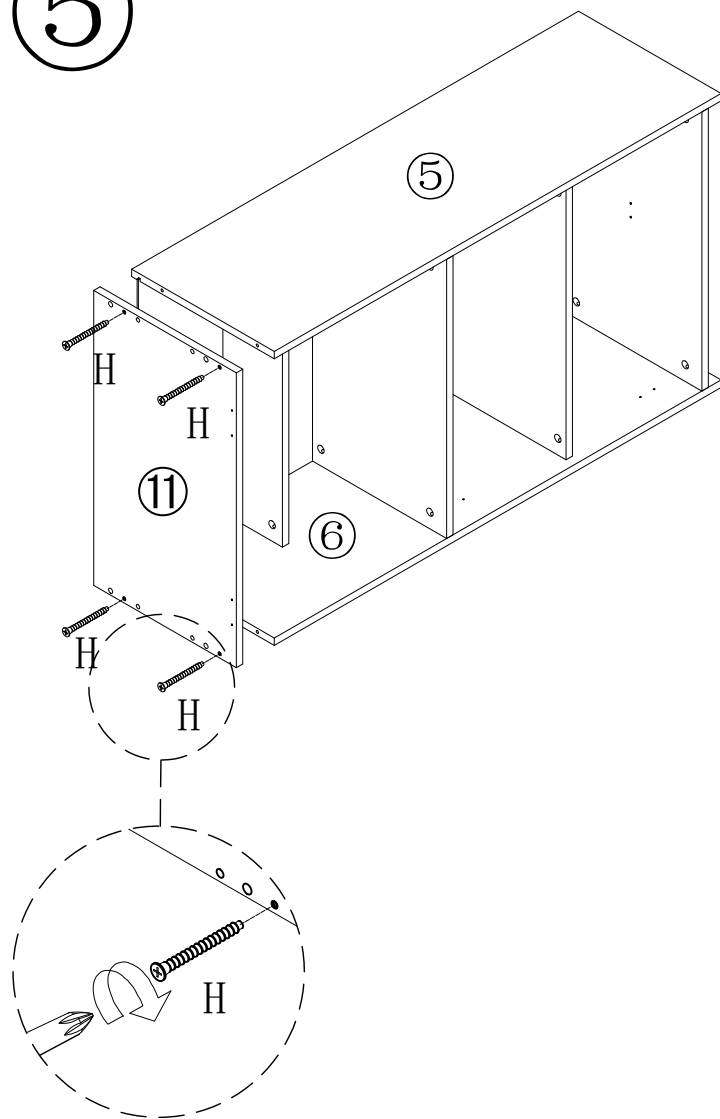
Make sure the arrow on the screw align to the hole on the side.

put B on board ③⑨⑩⑫



B\*8

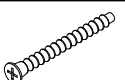

5



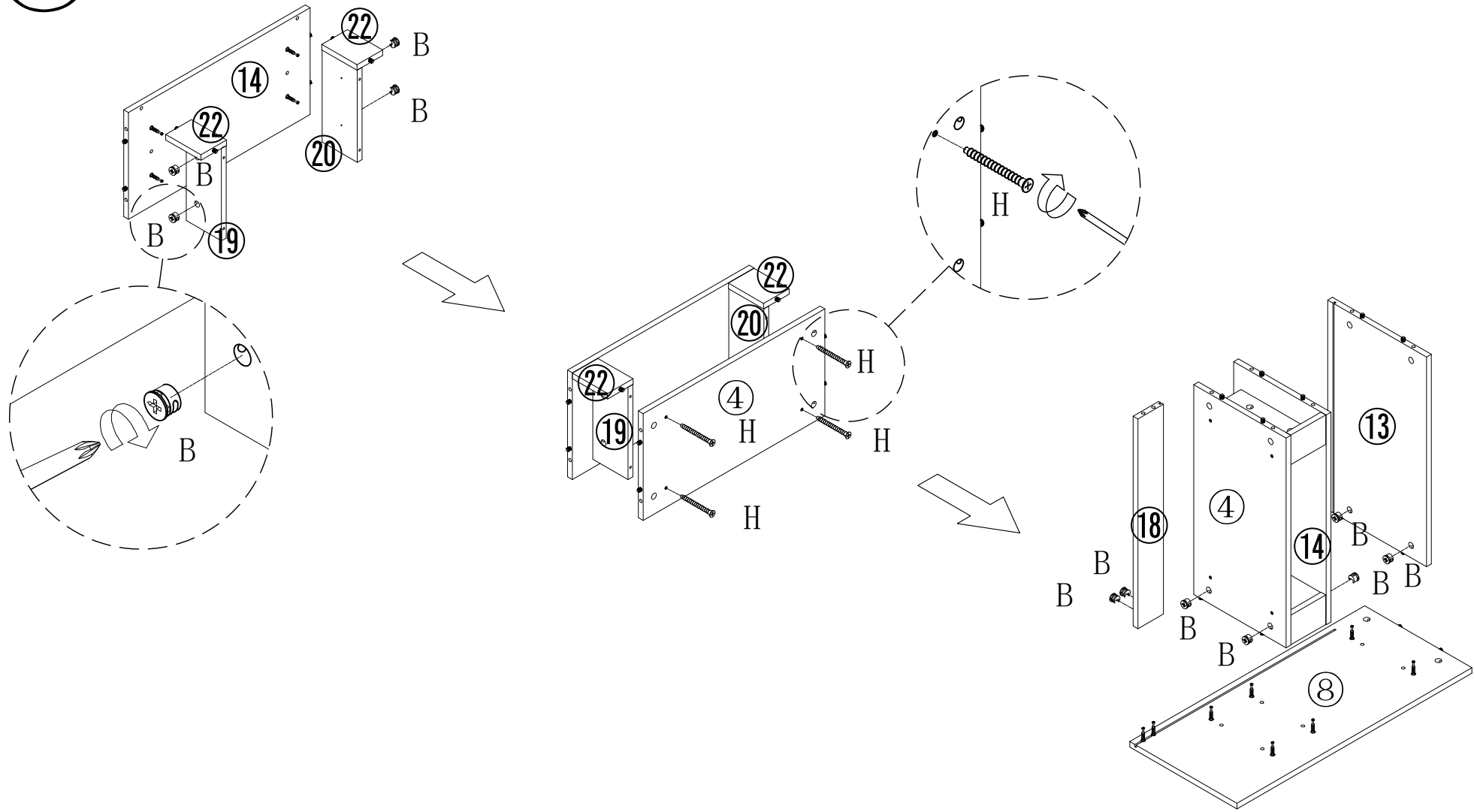
Make sure the arrow on the screw align to the hole on the side.

put B on board 19 20

put H on board 11

	H*4
	B*2

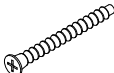

6



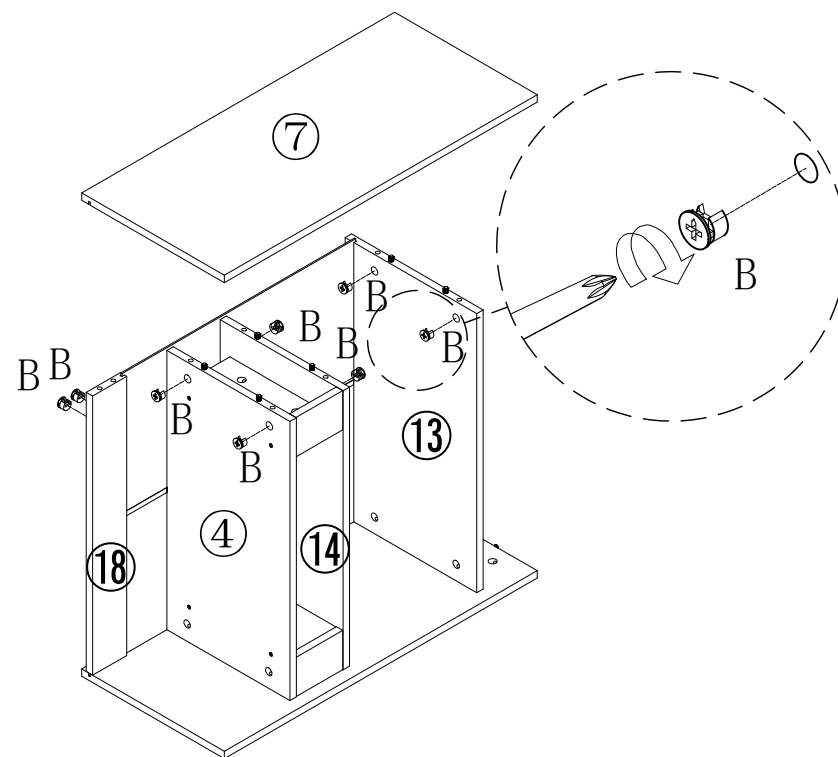
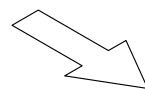
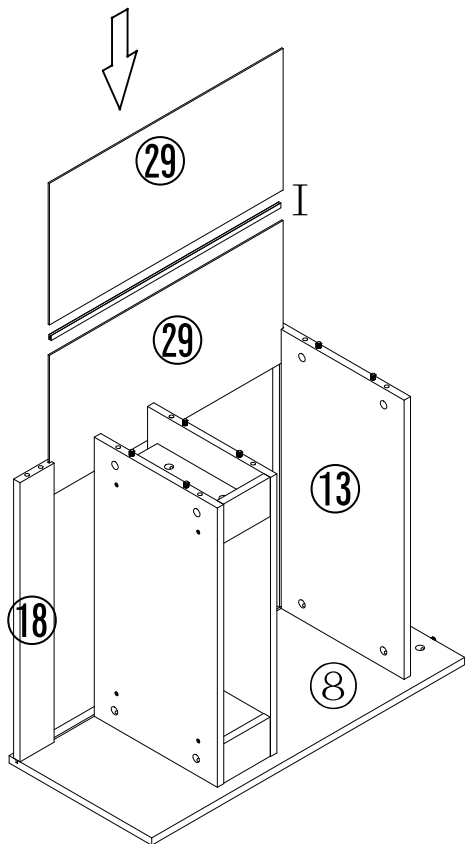
Make sure the arrow on the screw align to the hole on the side.

put B on board ④ ⑬ ⑭ ⑱ ⑳



put H on board ④

	H*4
	B*12

7

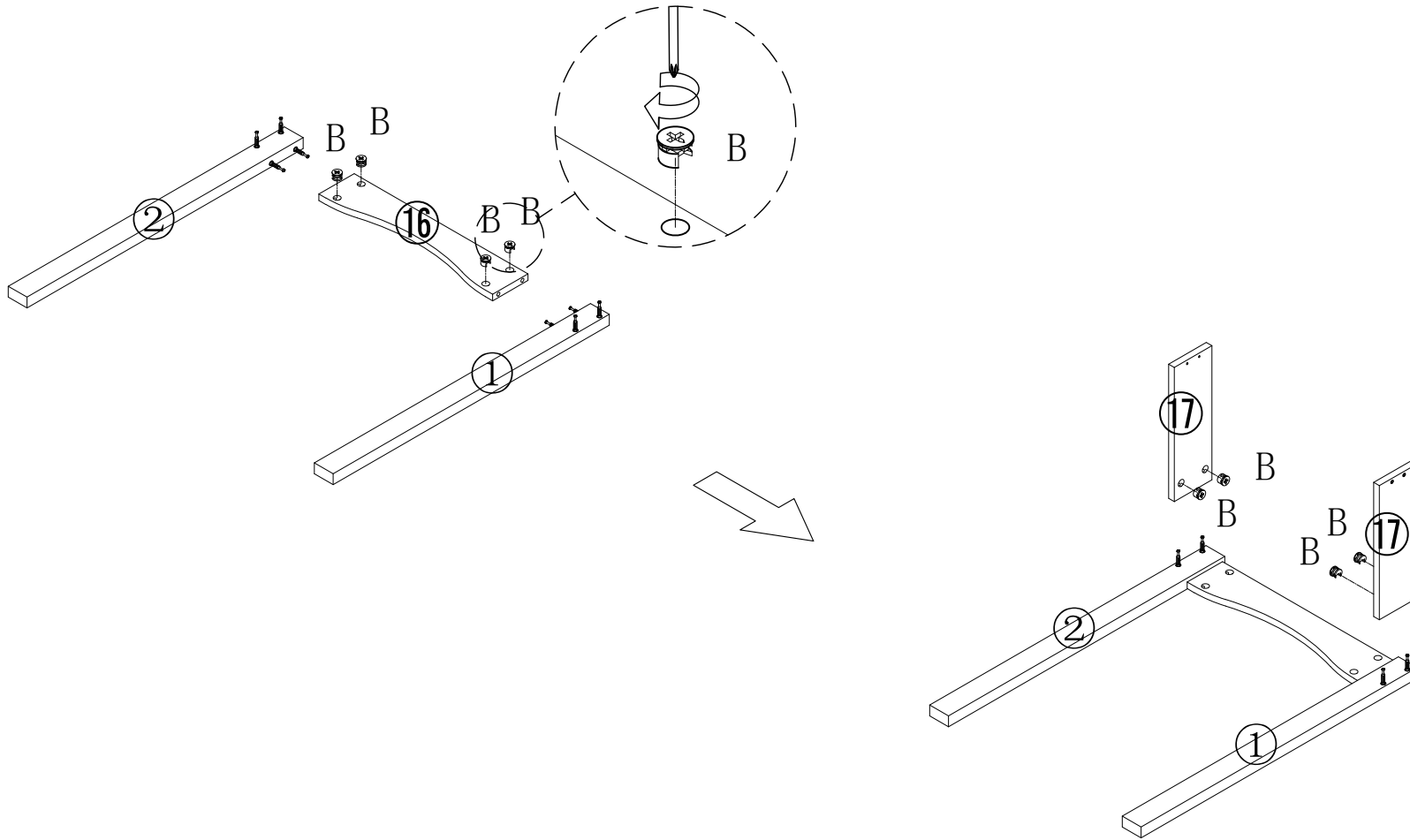


Make sure the arrow on the screw align to the hole on the side.

	I*1
	B*8

put B on board ④ ⑬ ⑭ ⑱  
 put I on board ⑳

8



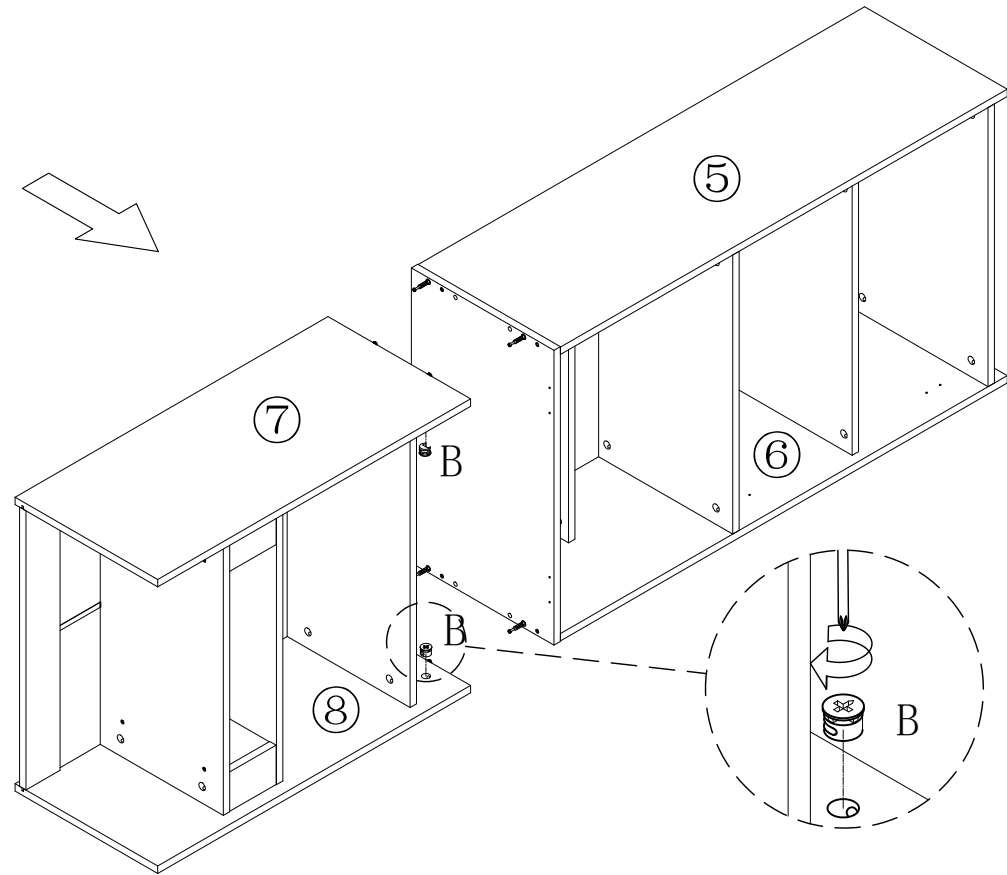
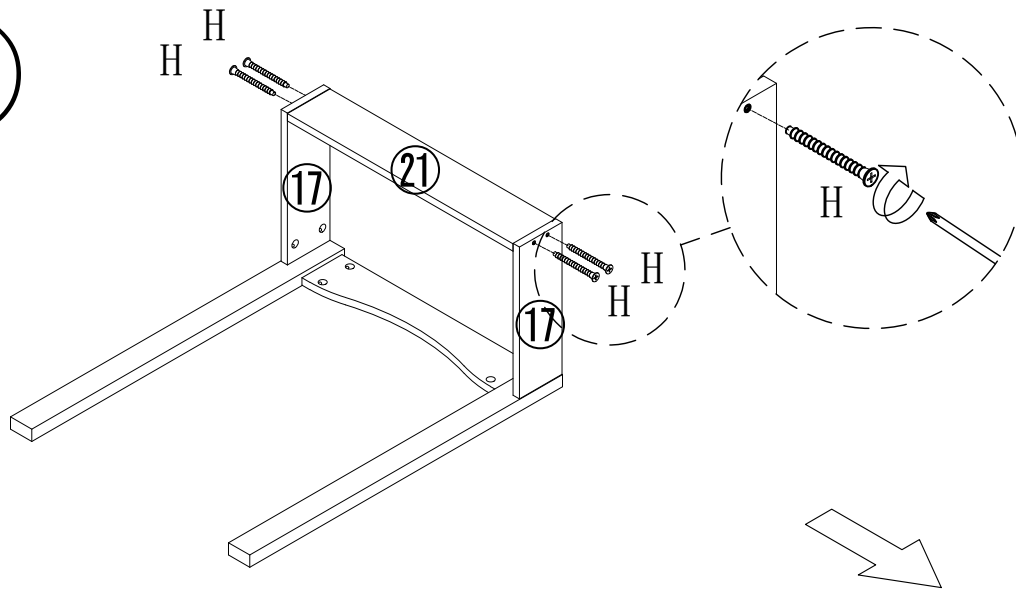
Make sure the arrow on the screw align to the hole on the side.

put B on board 16 17



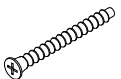

B\*8

9

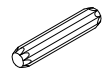
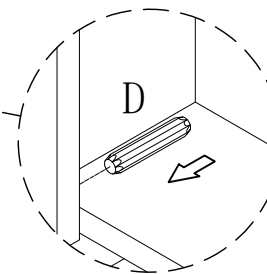
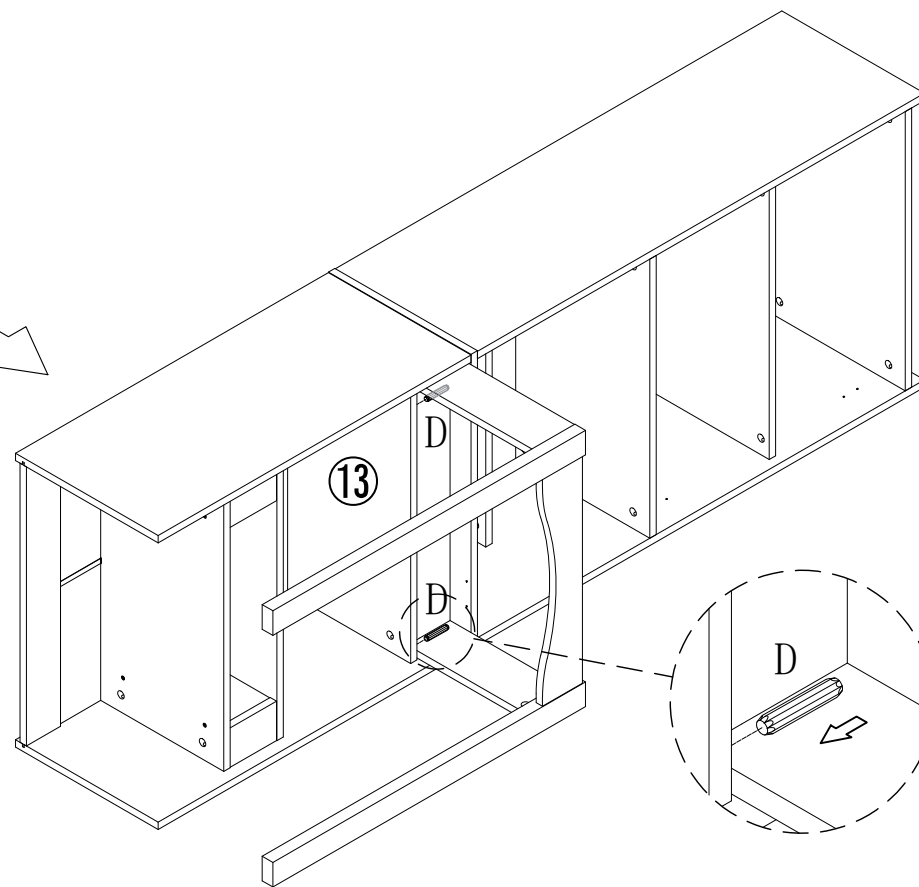
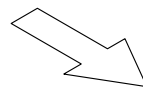
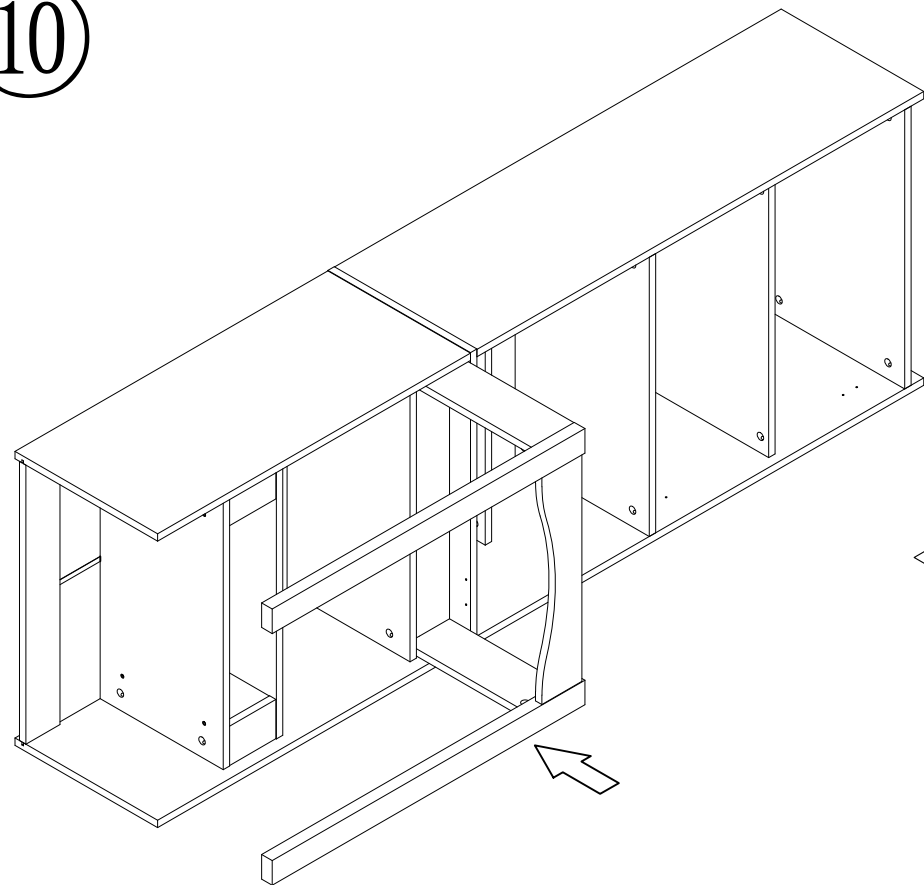


Make sure the arrow on the screw align to the hole on the side.

put B on board ⑦ ⑧  
put H on board ⑰

	H*4
	B*4

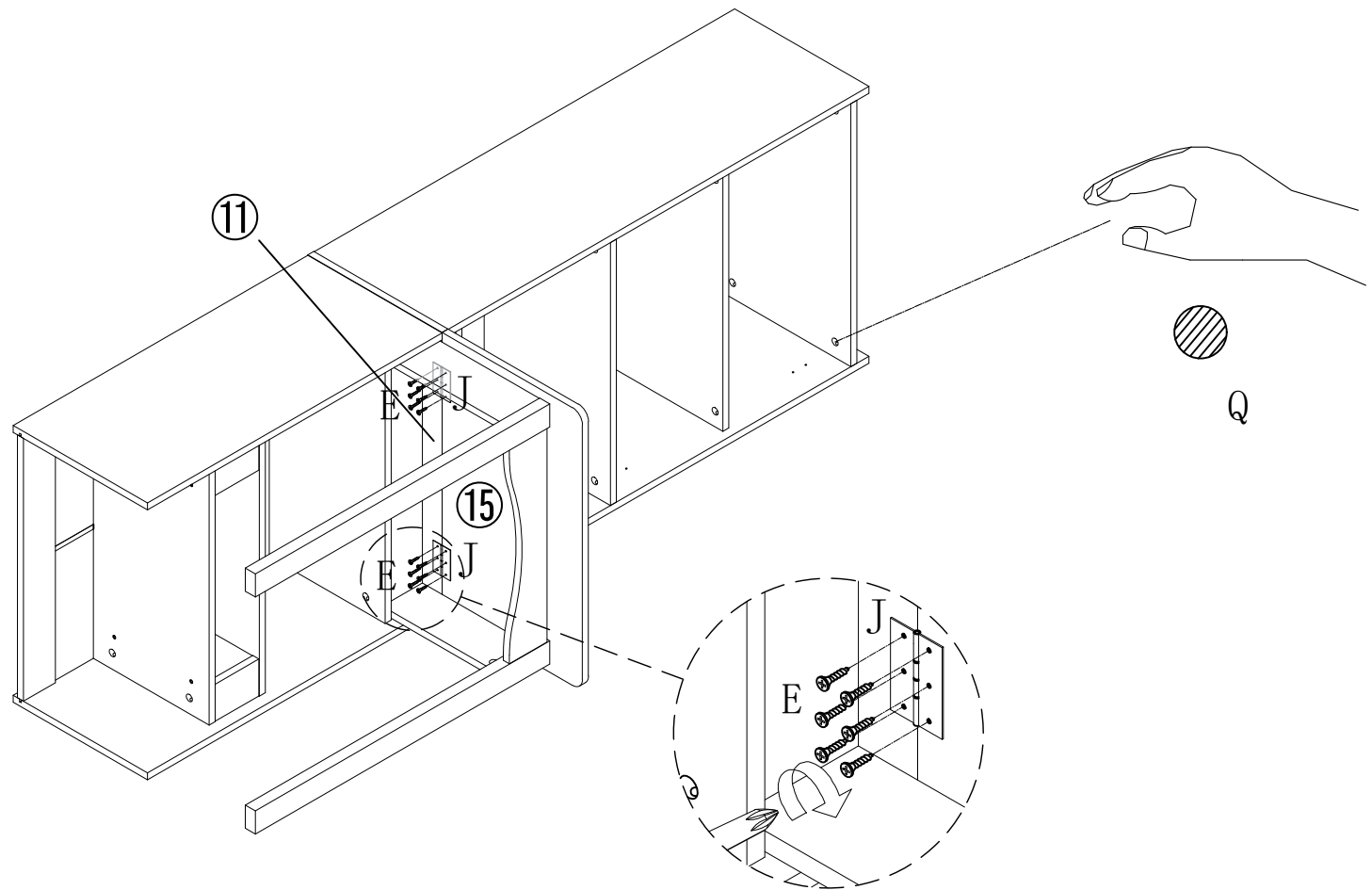
10



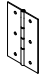


D\*2

put D on board 13

11

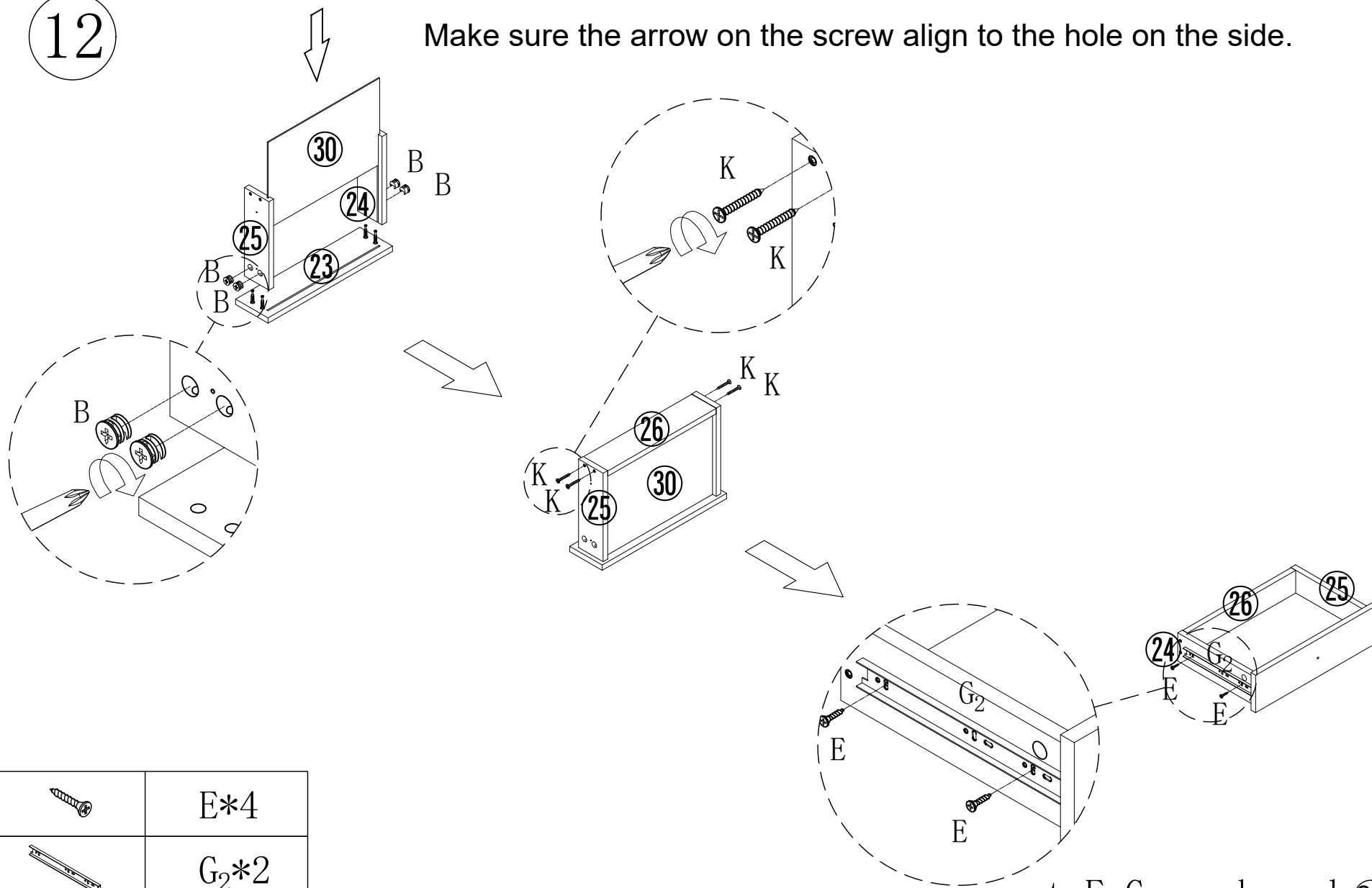



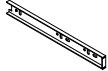
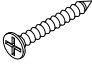

	Q*20
	E*12
	J*2

put E J on board 11 15

12

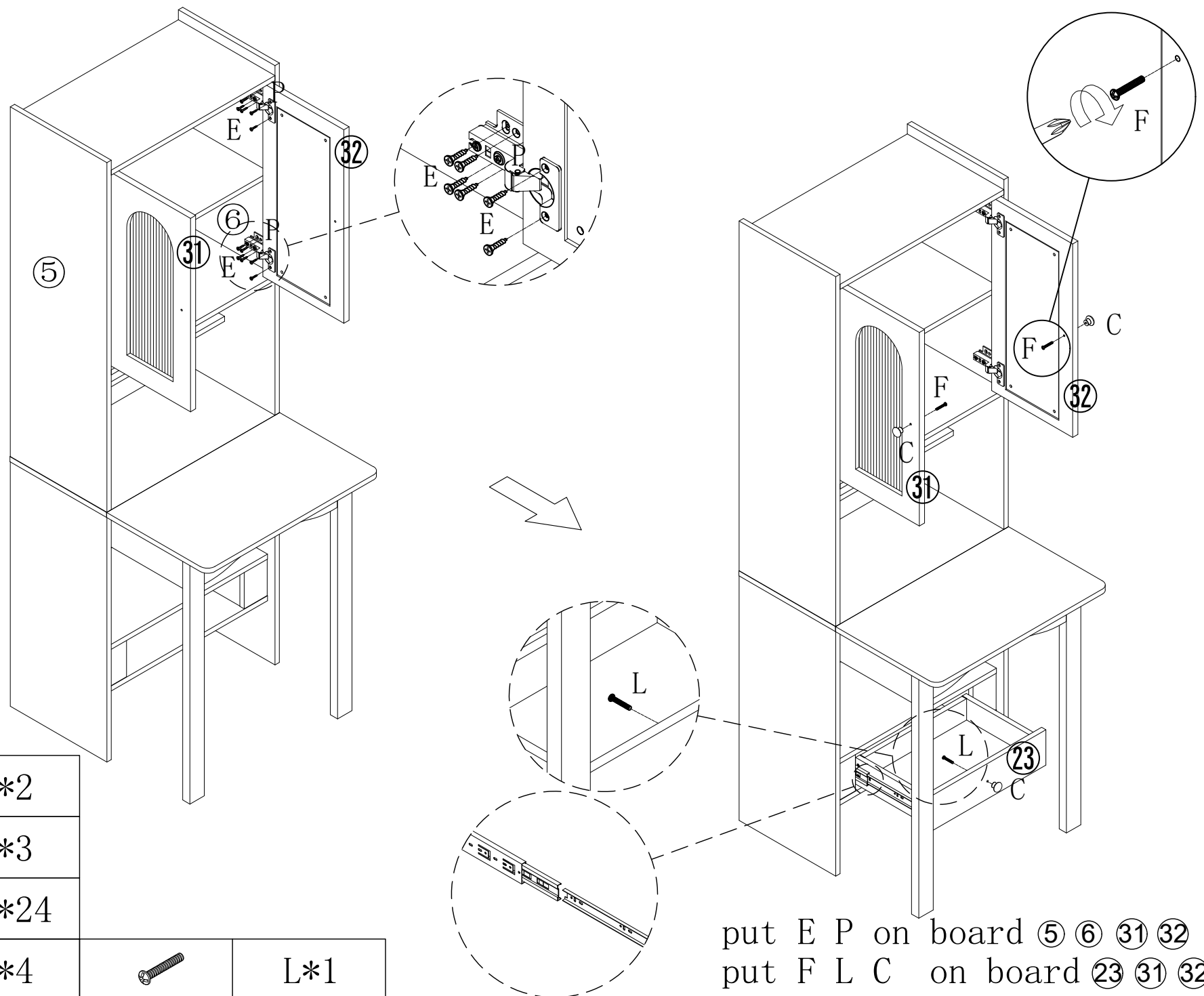
Make sure the arrow on the screw align to the hole on the side.








	E*4
	G <sub>2</sub> *2
	K*4
	B*4

put E G<sub>2</sub> on board ②④ ②⑤  
 put B on board ②④ ②⑤  
 put K on board ②④ ②⑤

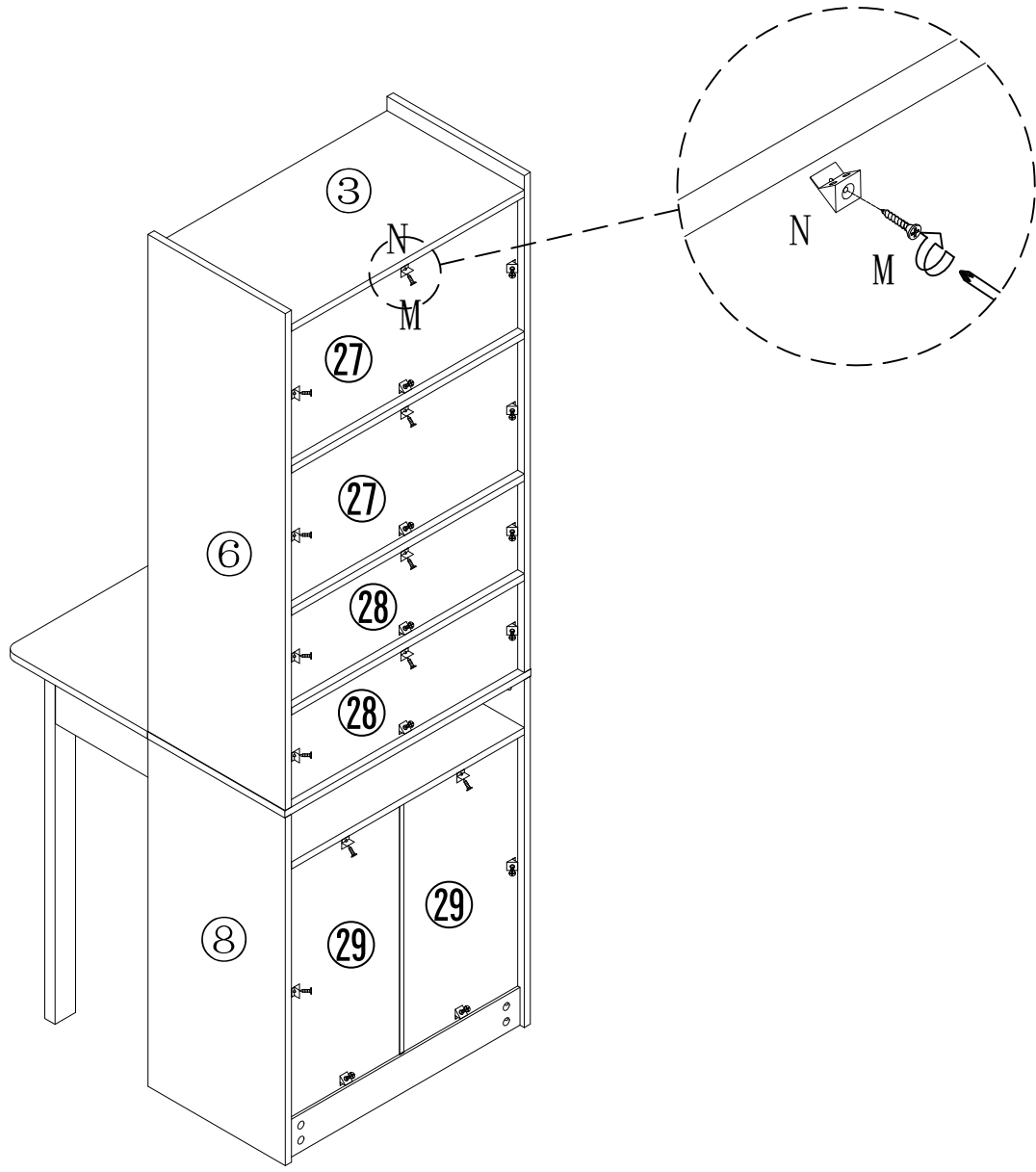
13

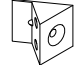



	F*2		L*1
	C*3		
	E*24		
	P*4		

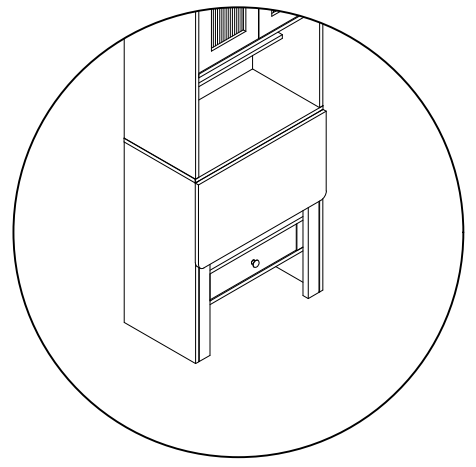
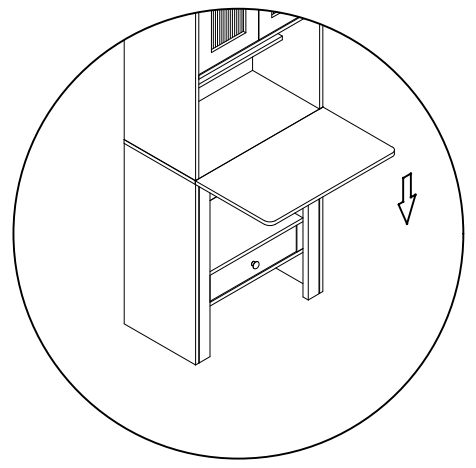
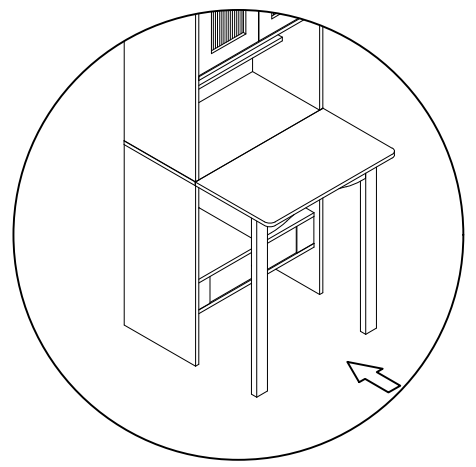
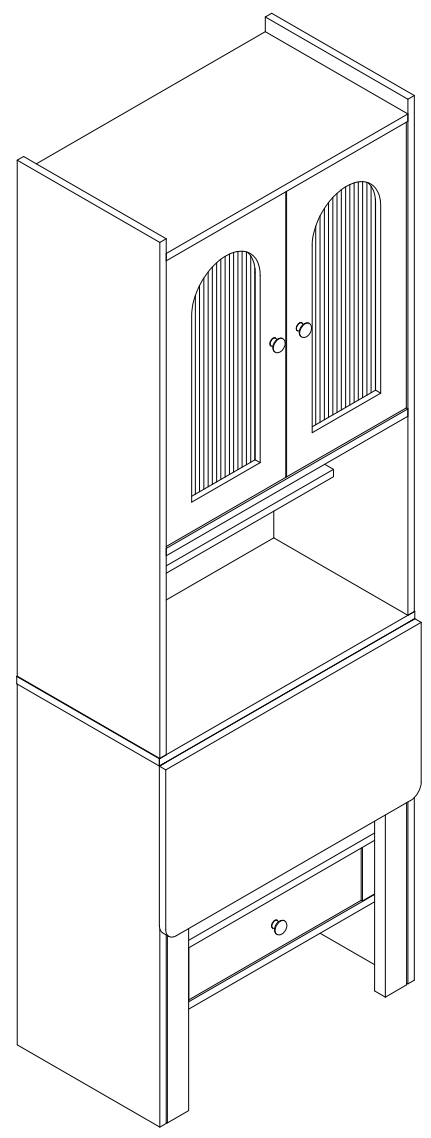
put E P on board ⑤ ⑥ ③① ③②  
 put F L C on board ②③ ③① ③②

14

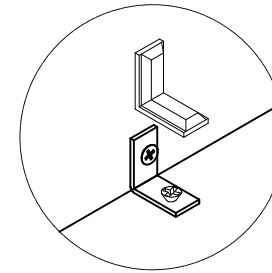
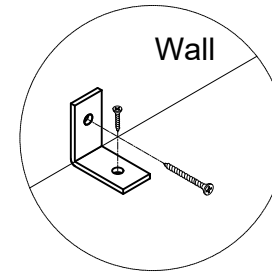
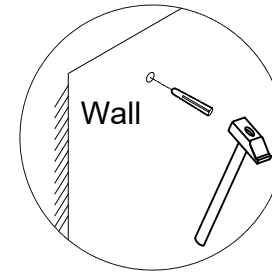
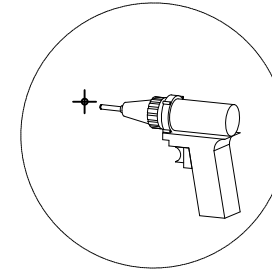
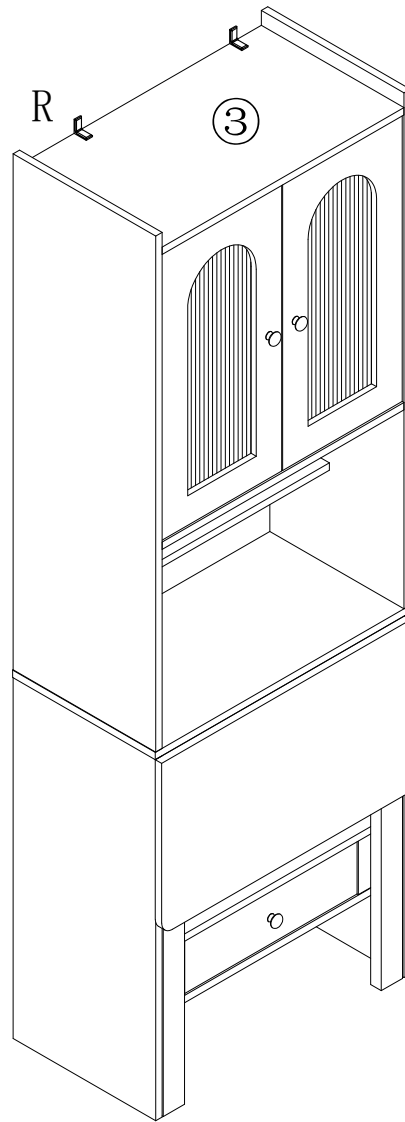


	N*22
	M*22

15



16



R\*2