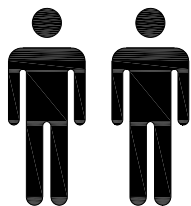


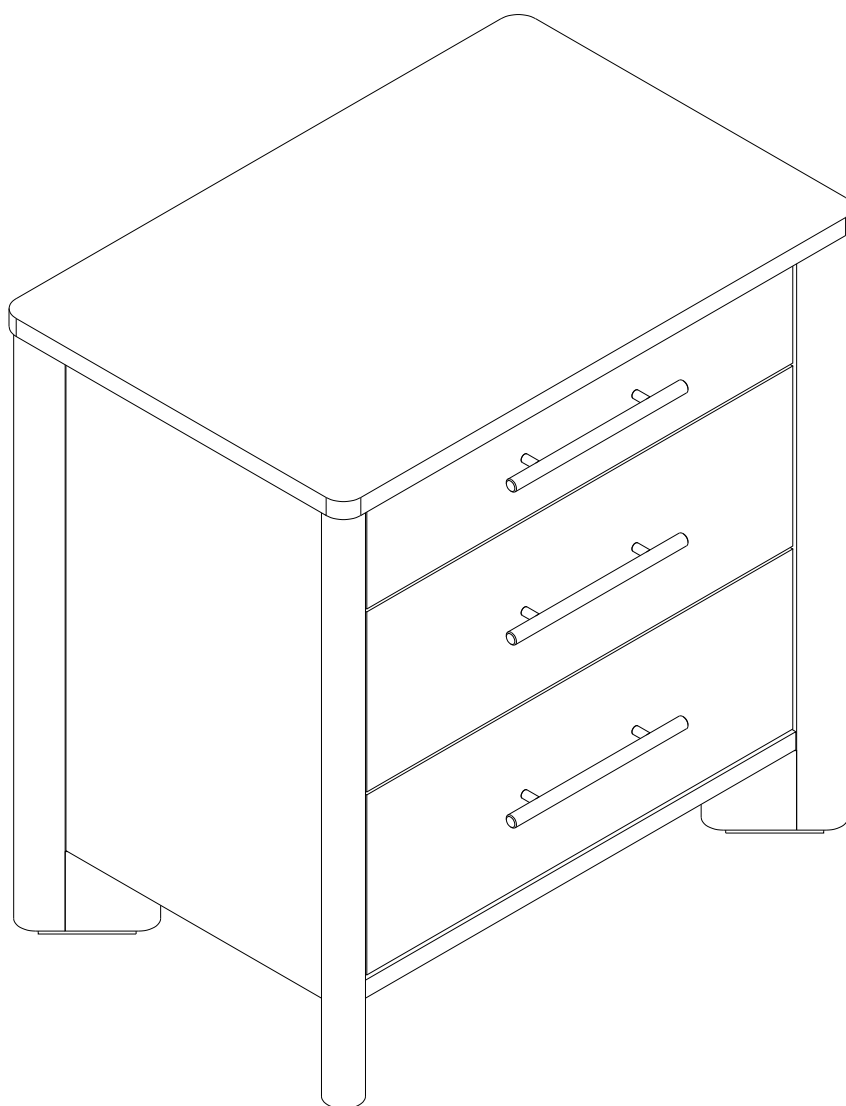
ASSEMBLY INSTRUCTION

If there are any questions during the assembly process.

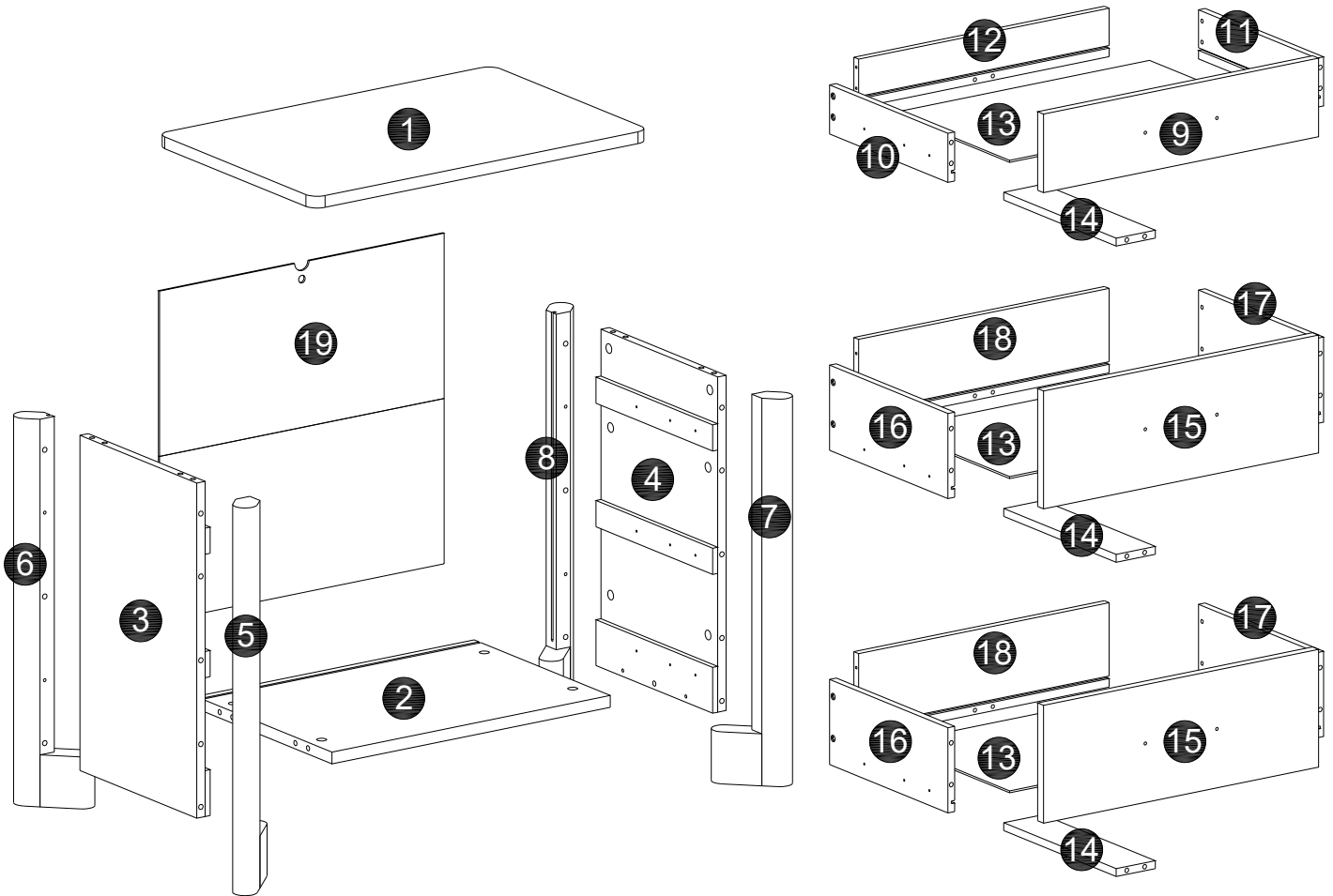
A video and description about the step you were stucked will help us to understand the problem quickly.

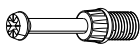

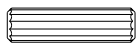
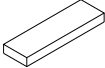
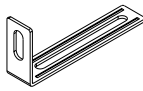
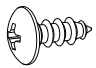




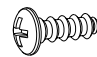
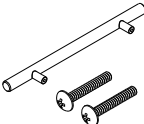
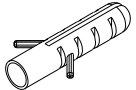
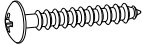
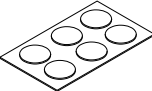


2 person required to
assemble this product

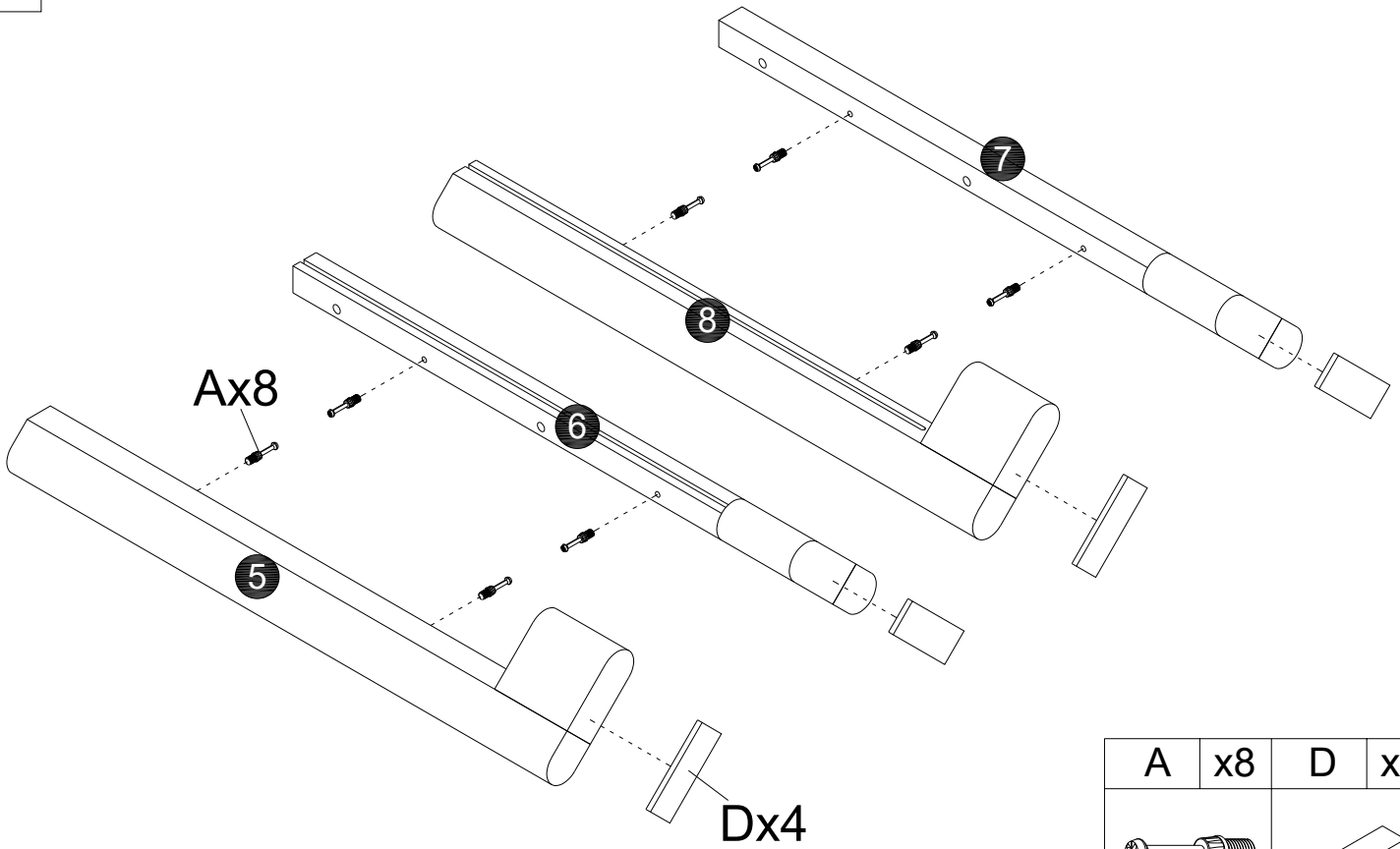


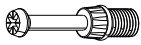
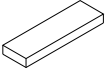
ASSEMBLY INSTRUCTION



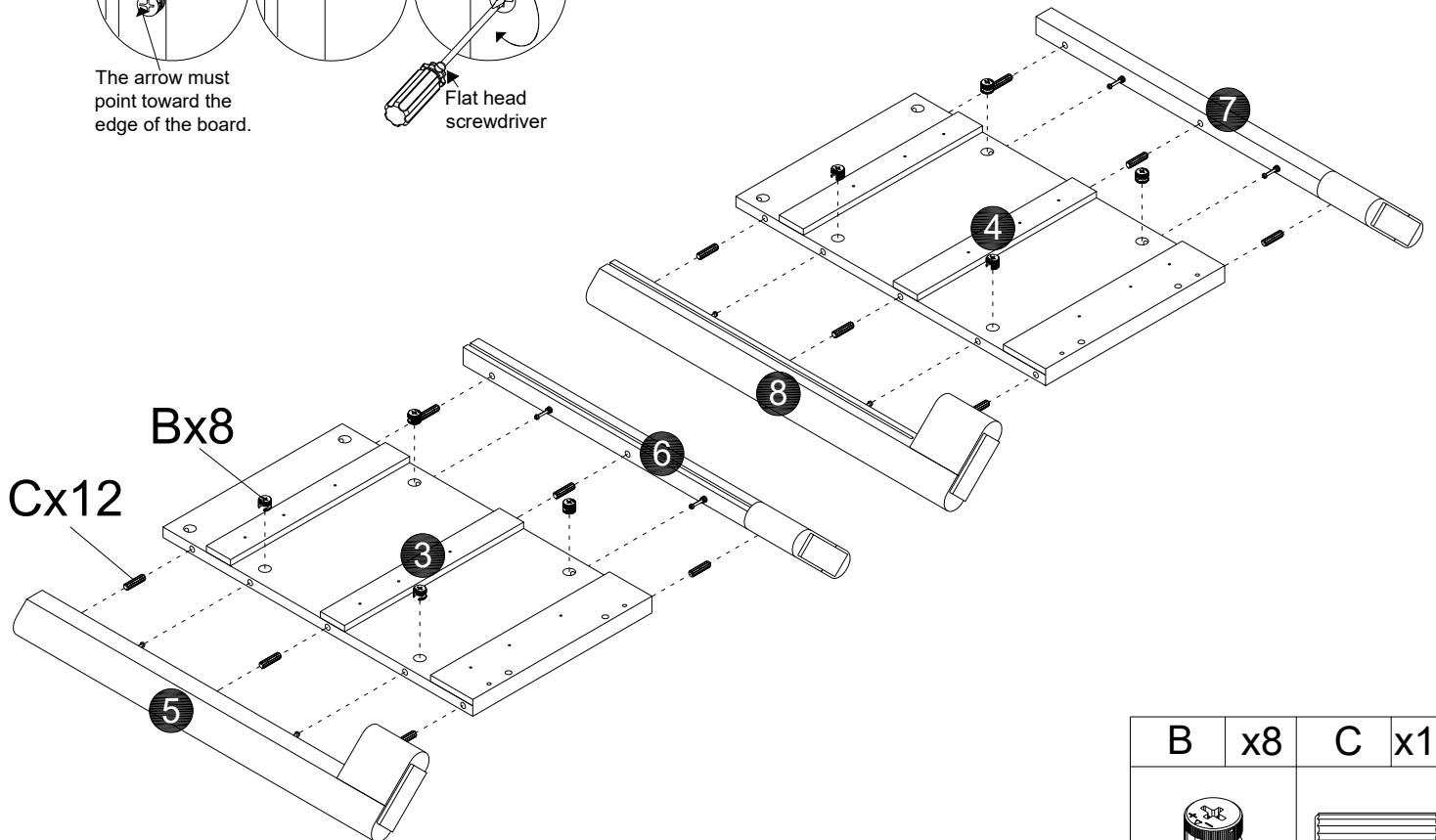
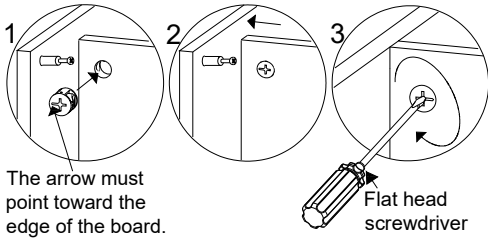
A	x34	B	x34	C	x20	D	x4	E	x1	F	x2	G	x4	H	x4	I	x18
																	
M6x35mm	Ø15mm	Ø8x30mm	85x25x5		M3.5x14mm		M3.5x16mm	M5x38mm									
J	x6	K	x36	L	x3	M	x1	N	x1	O	x3						
																	
10"	M3.5x12mm			M5x38mm	Ø25												


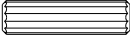
1



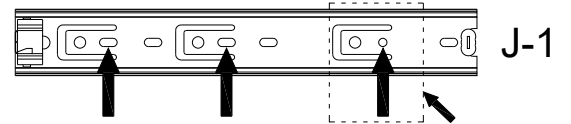
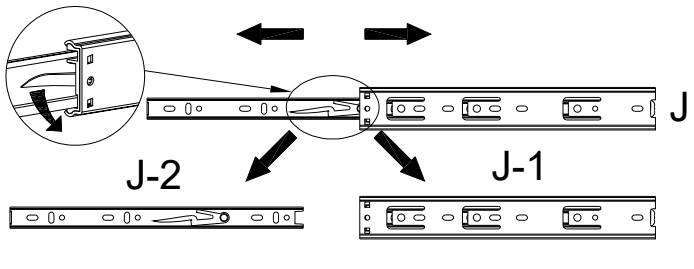
A	x8	D	x4
			
M6x35mm		85x25x5	

2

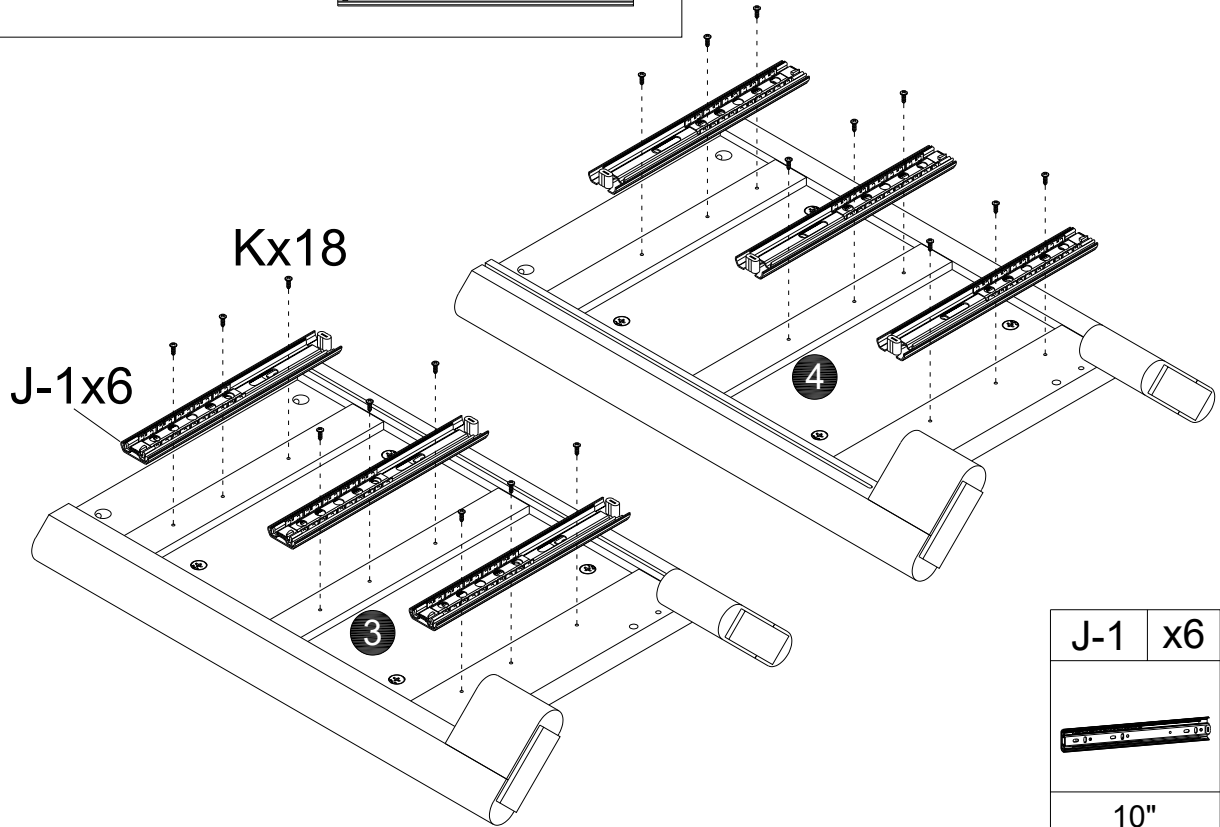


B	x8	C	x12
			
Ø15mm		Ø8x30mm	

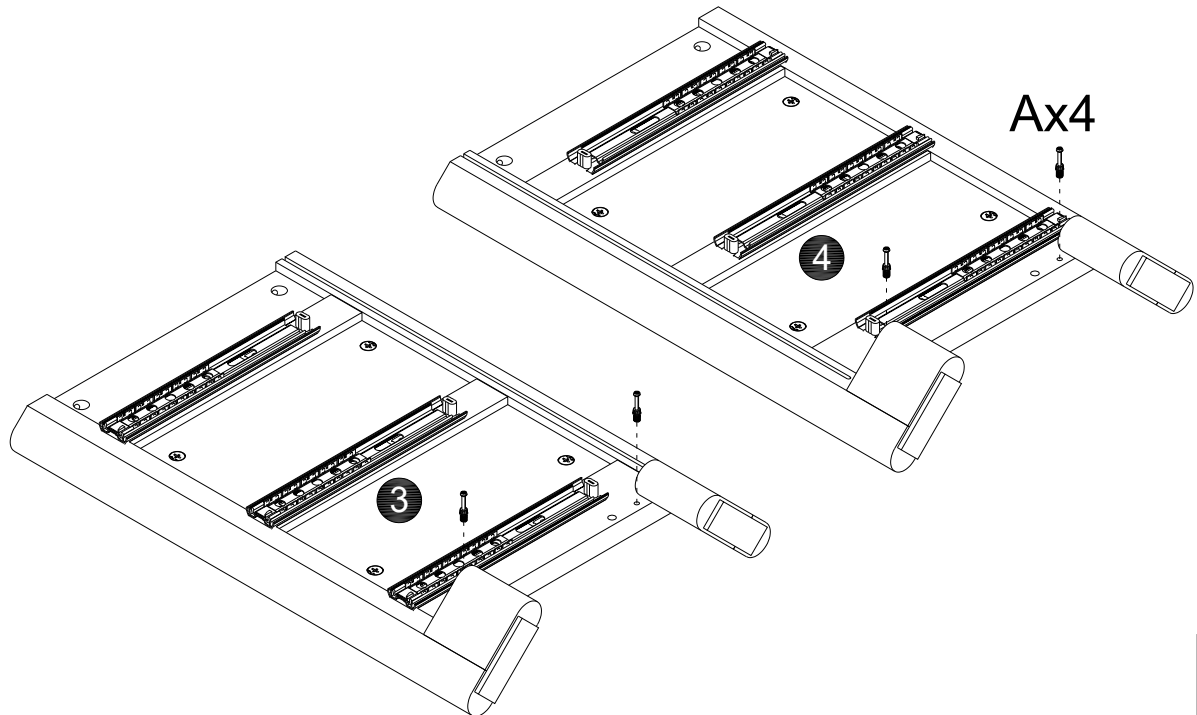
3



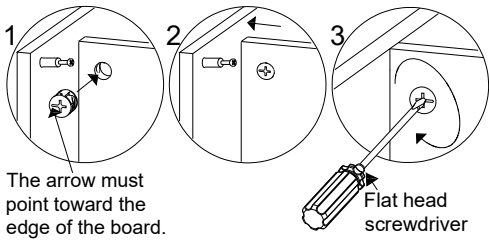
fix the circular holes with screws first, and then fix the elliptical holes one by one.



4

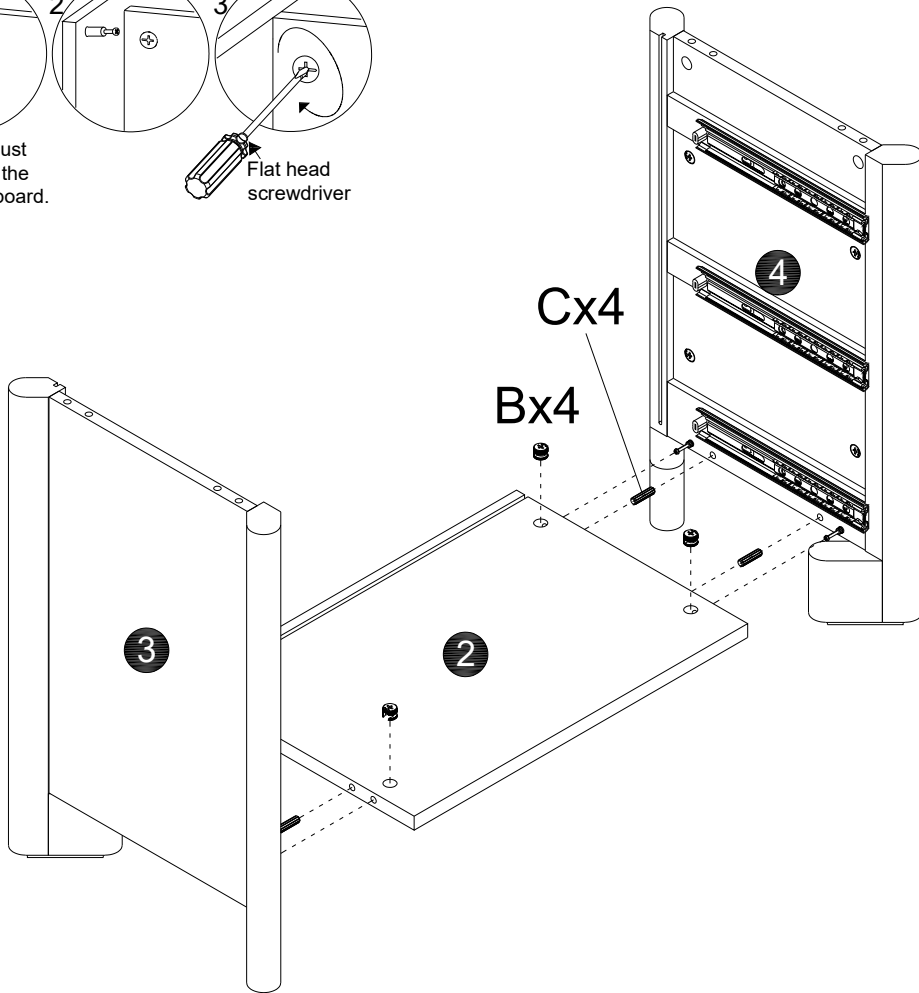




5



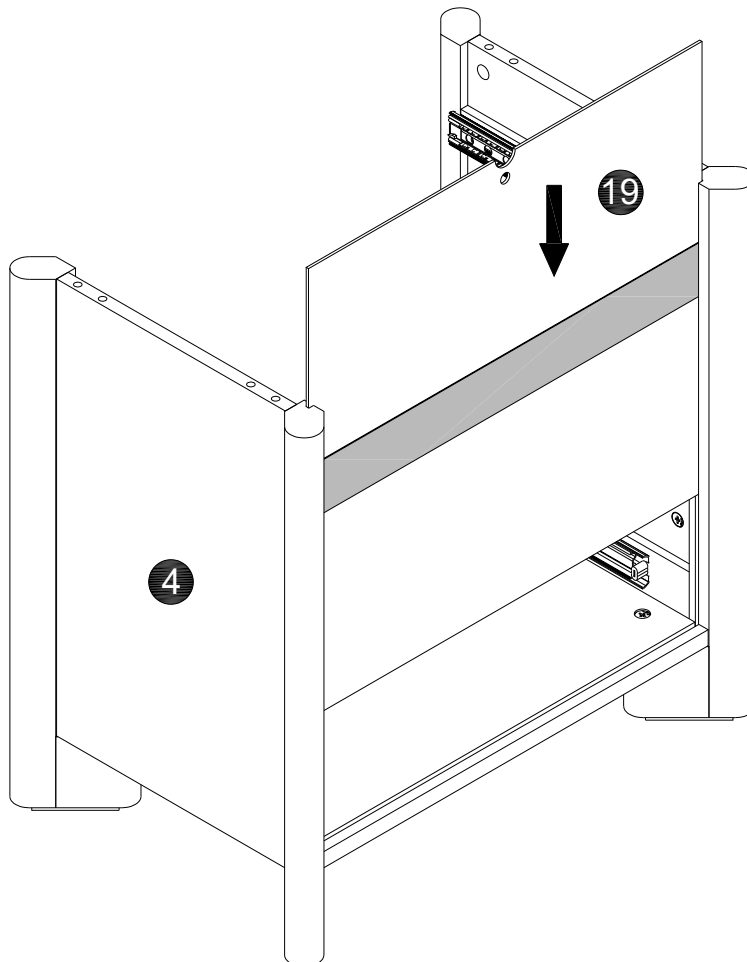
The arrow must point toward the edge of the board.

Flat head screwdriver

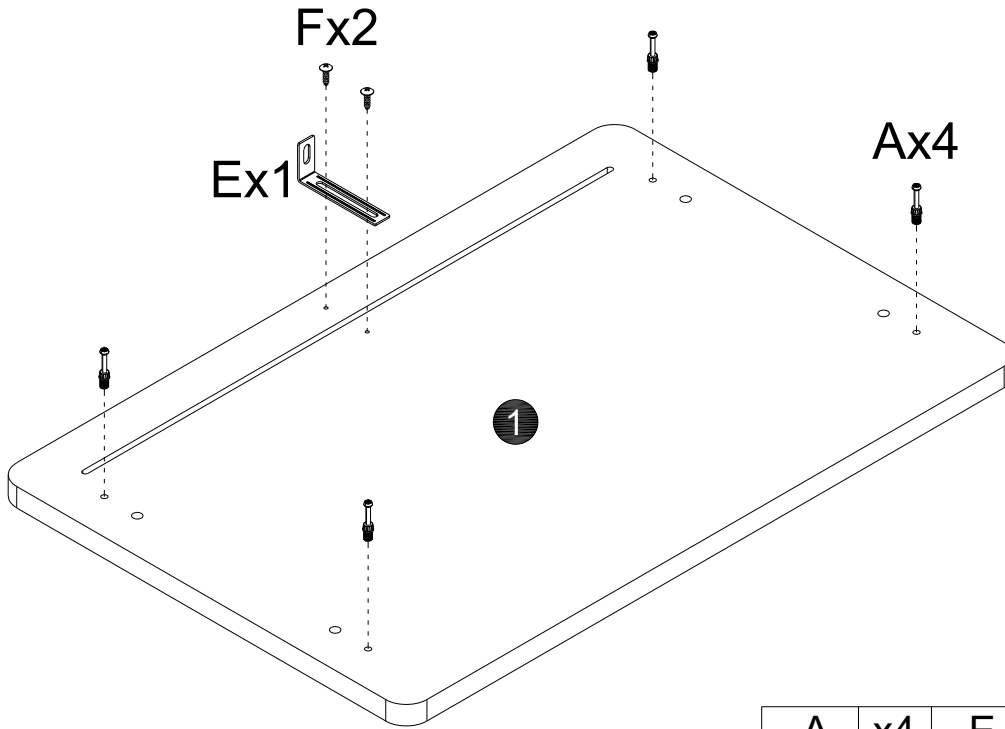



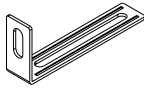
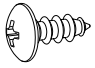
B	x4	C	x4
			
Ø15mm		Ø8x30mm	

6

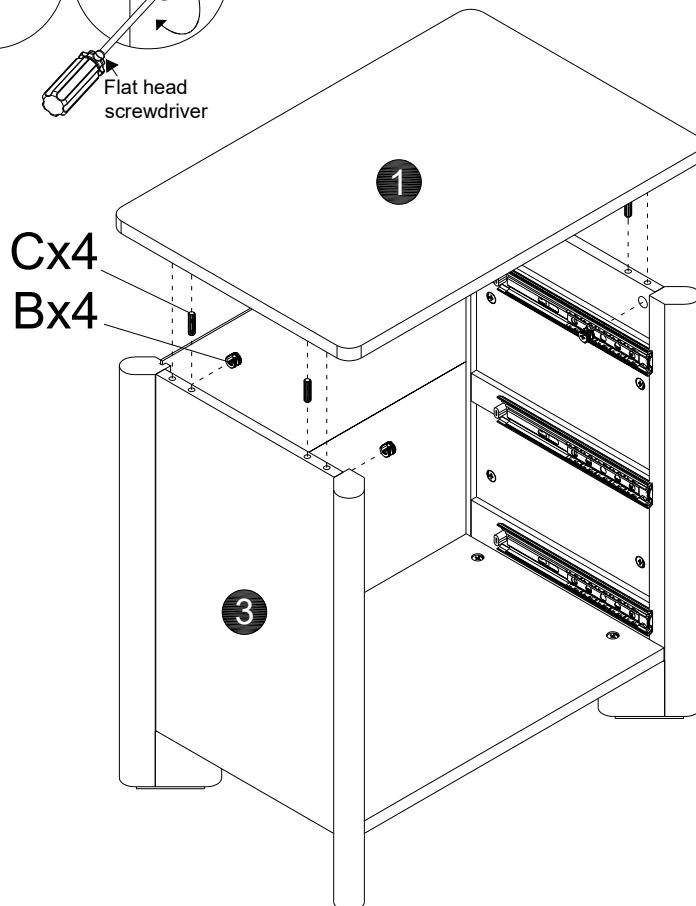
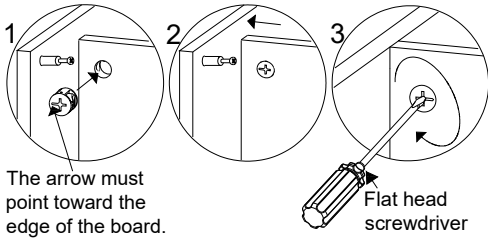



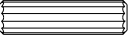
7



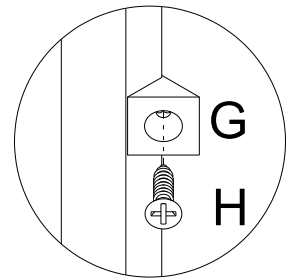
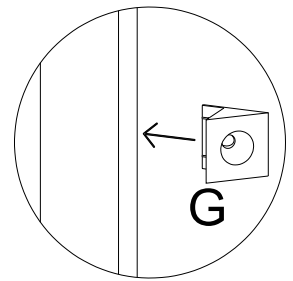
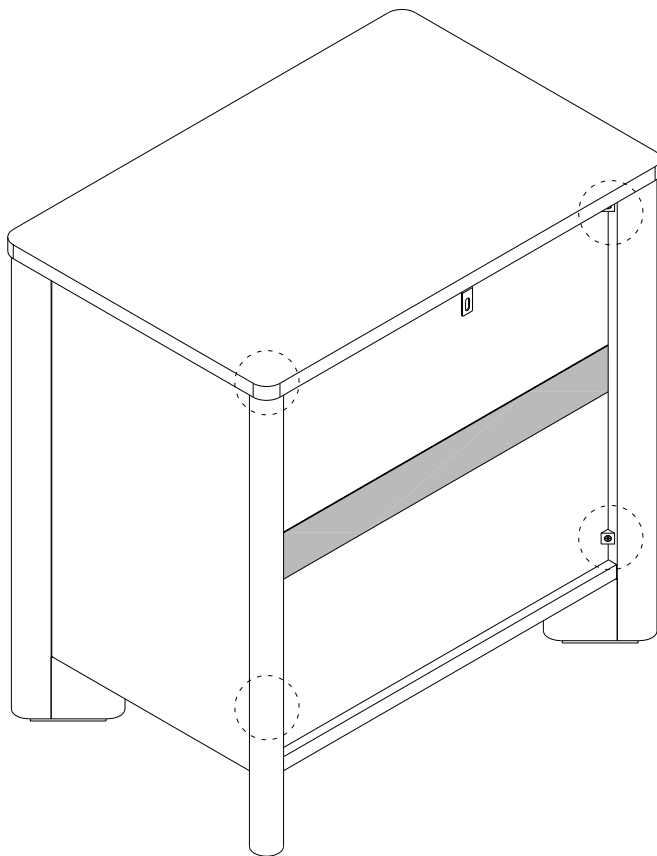
A	x4	E	x1	F	x2
					
M6x35mm				M3.5x14mm	



8



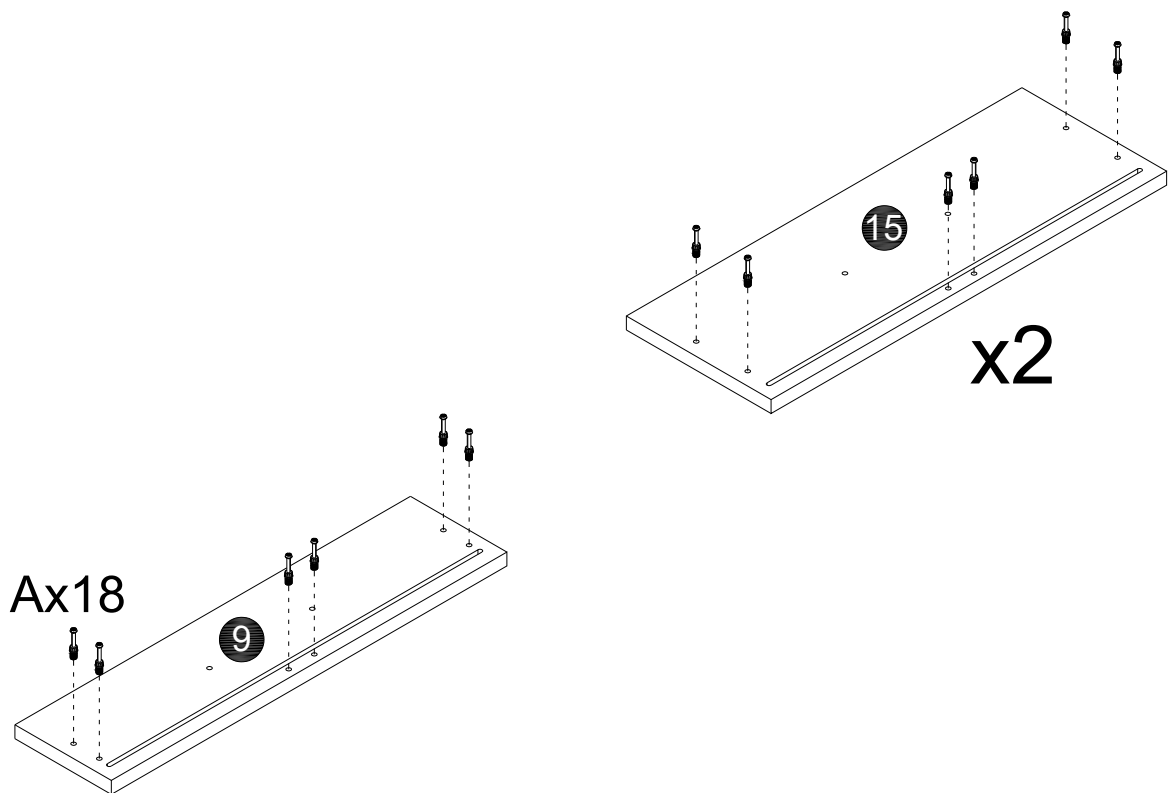
B	x4	C	x4
			
Ø15mm		Ø8x30mm	

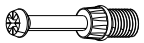
9



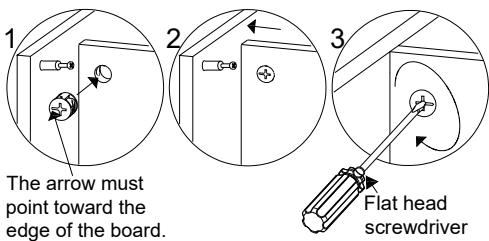
G	x4	H	x4
			
M3.5x16mm			

10



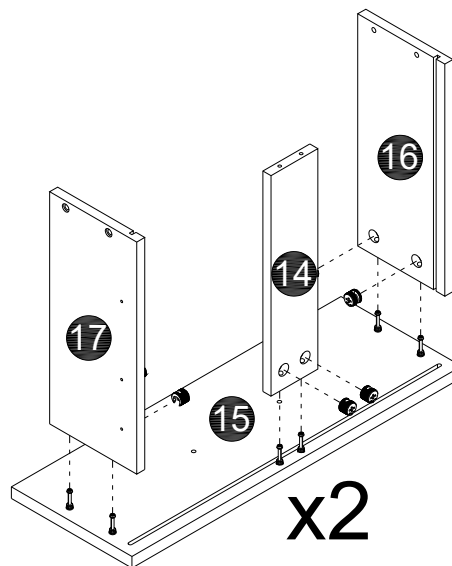
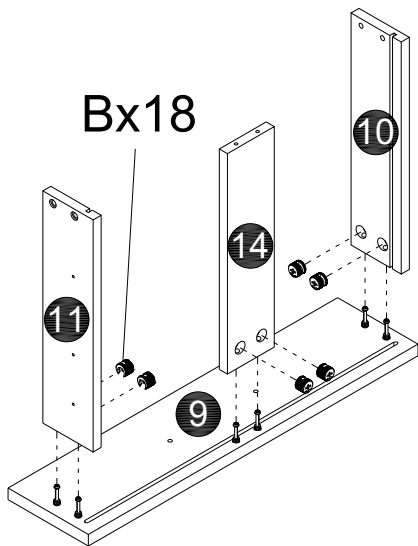
A	x18
	
M6x35mm	

11



The arrow must point toward the edge of the board.

Flat head screwdriver

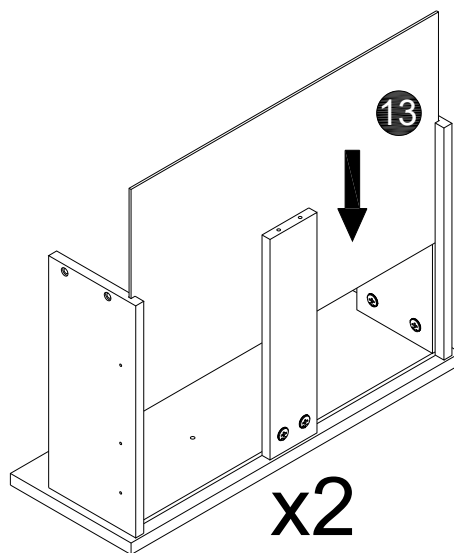
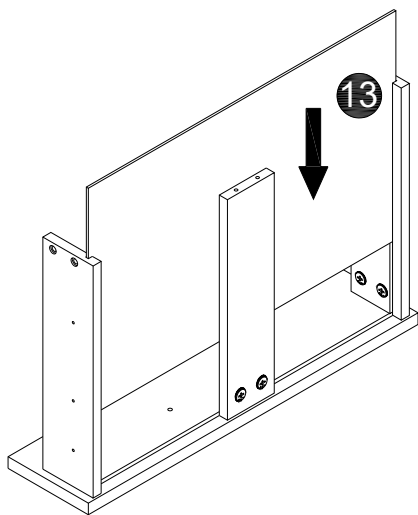


B x18

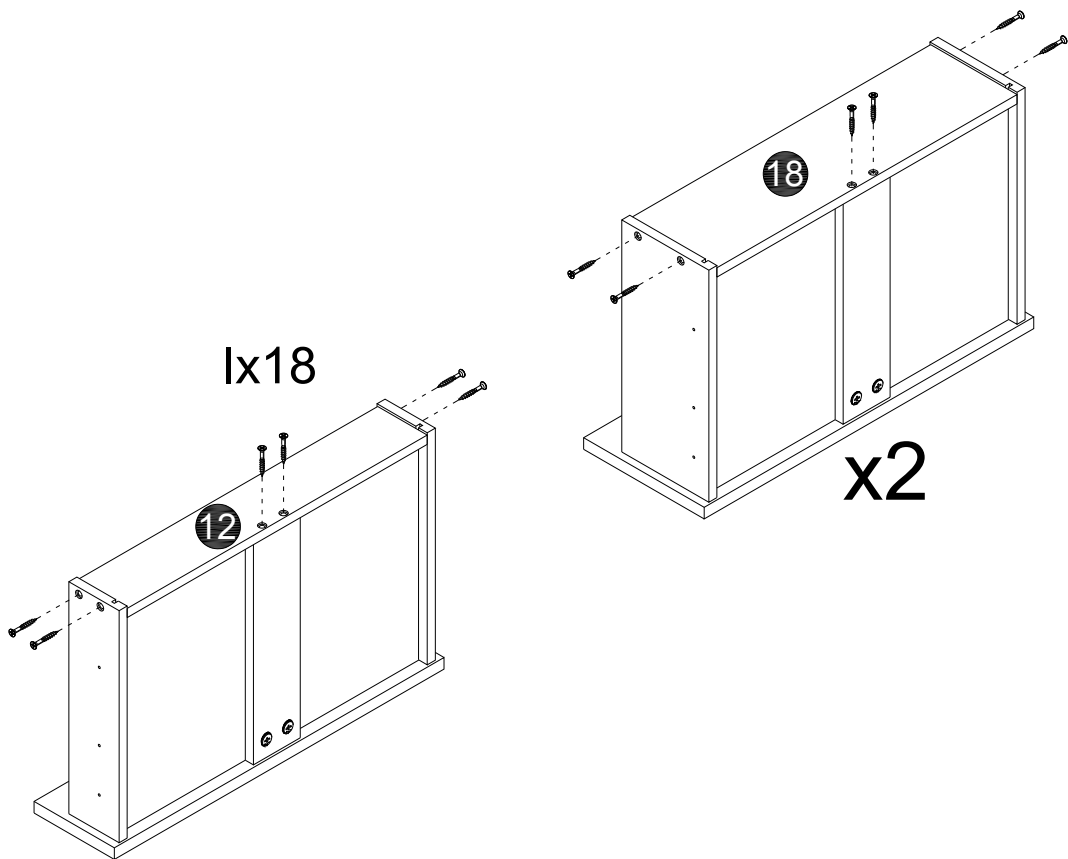


Ø15mm

12

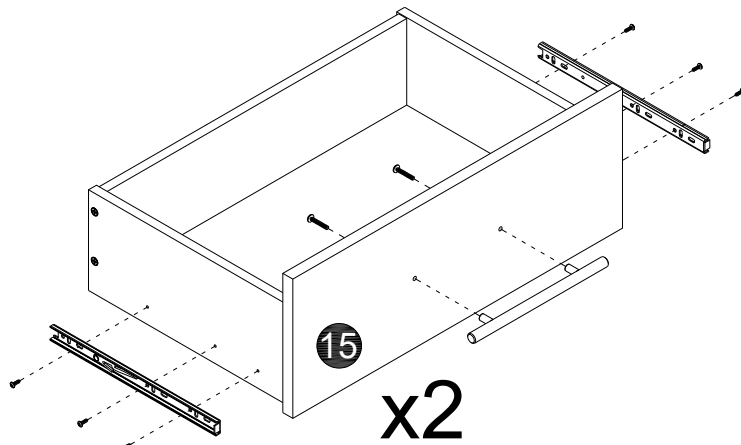
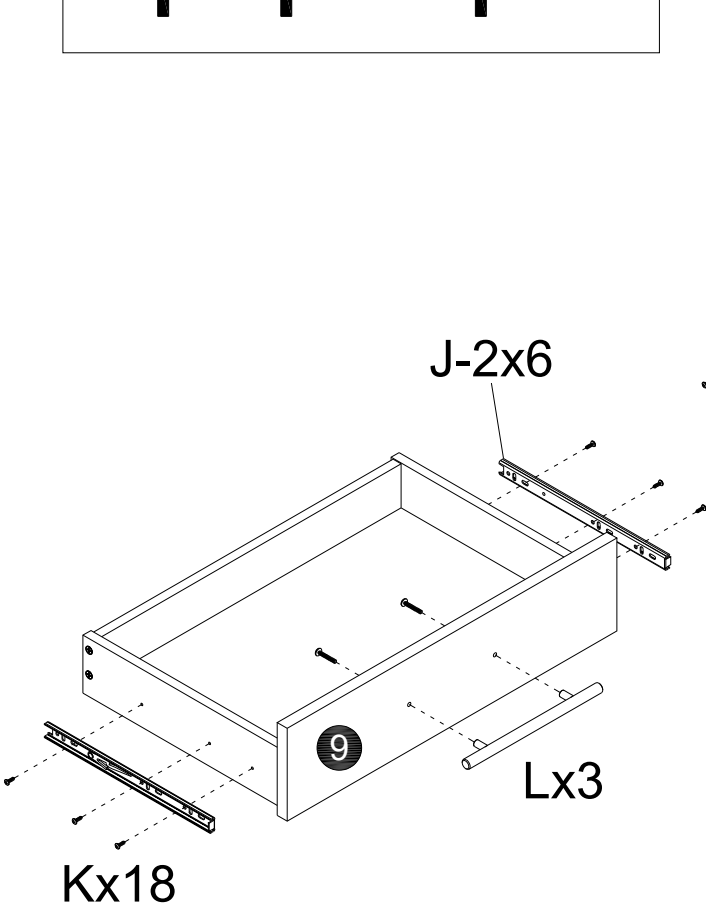
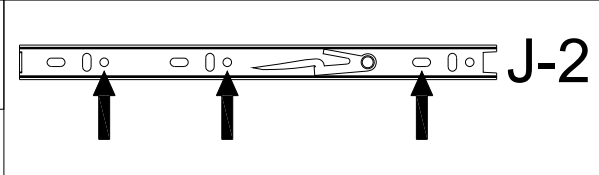


13



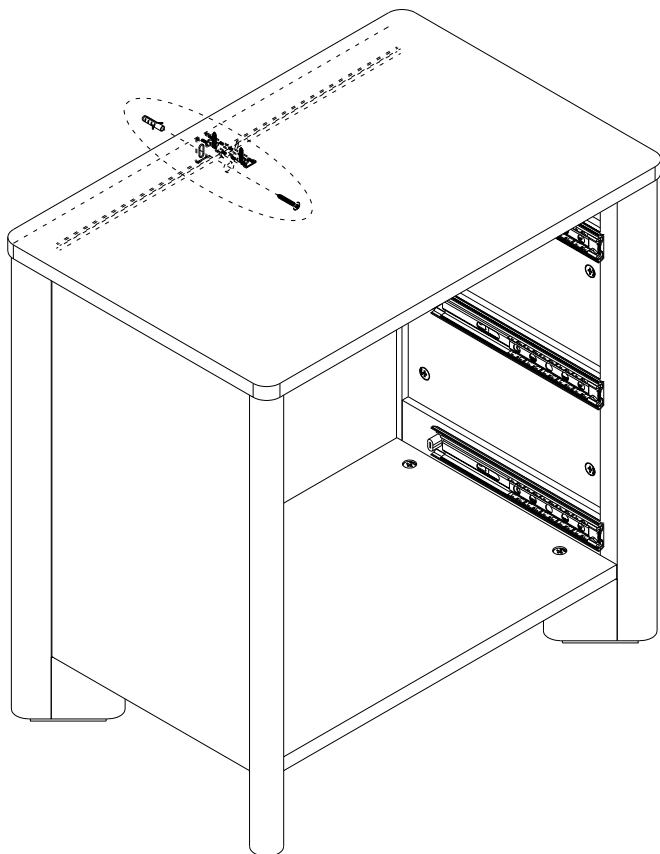
I	x18
M5x38mm	

14

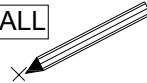


J-2	x6	K	x18	L	x3
10"		M3.5x12mm			

15

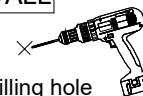


WALL



1 x1

WALL



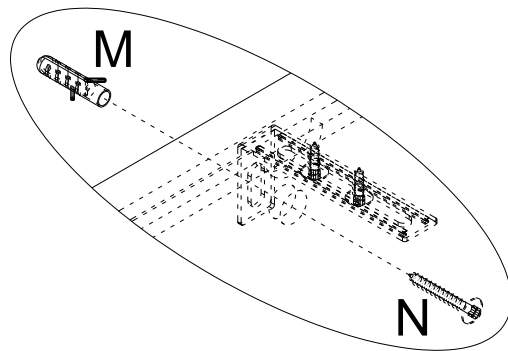
drilling hole
Ø6*30mm

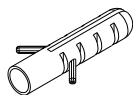

2 x1

WALL

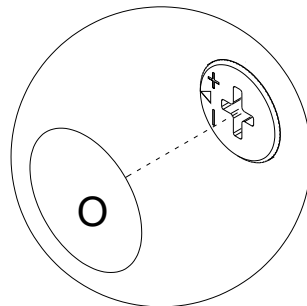
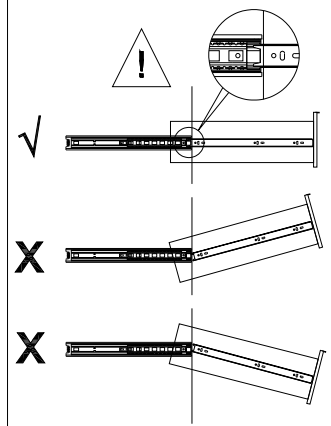
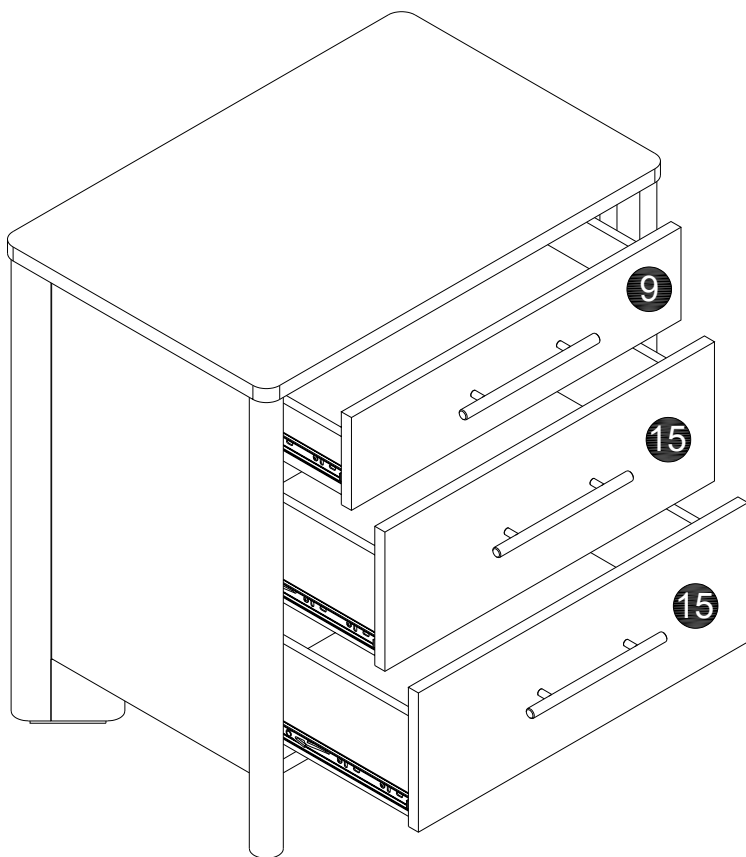


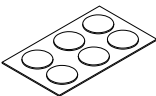
3 x1



M	x1	N	x1
			
M5x38mm			

16



O	x3
	
Ø25	