



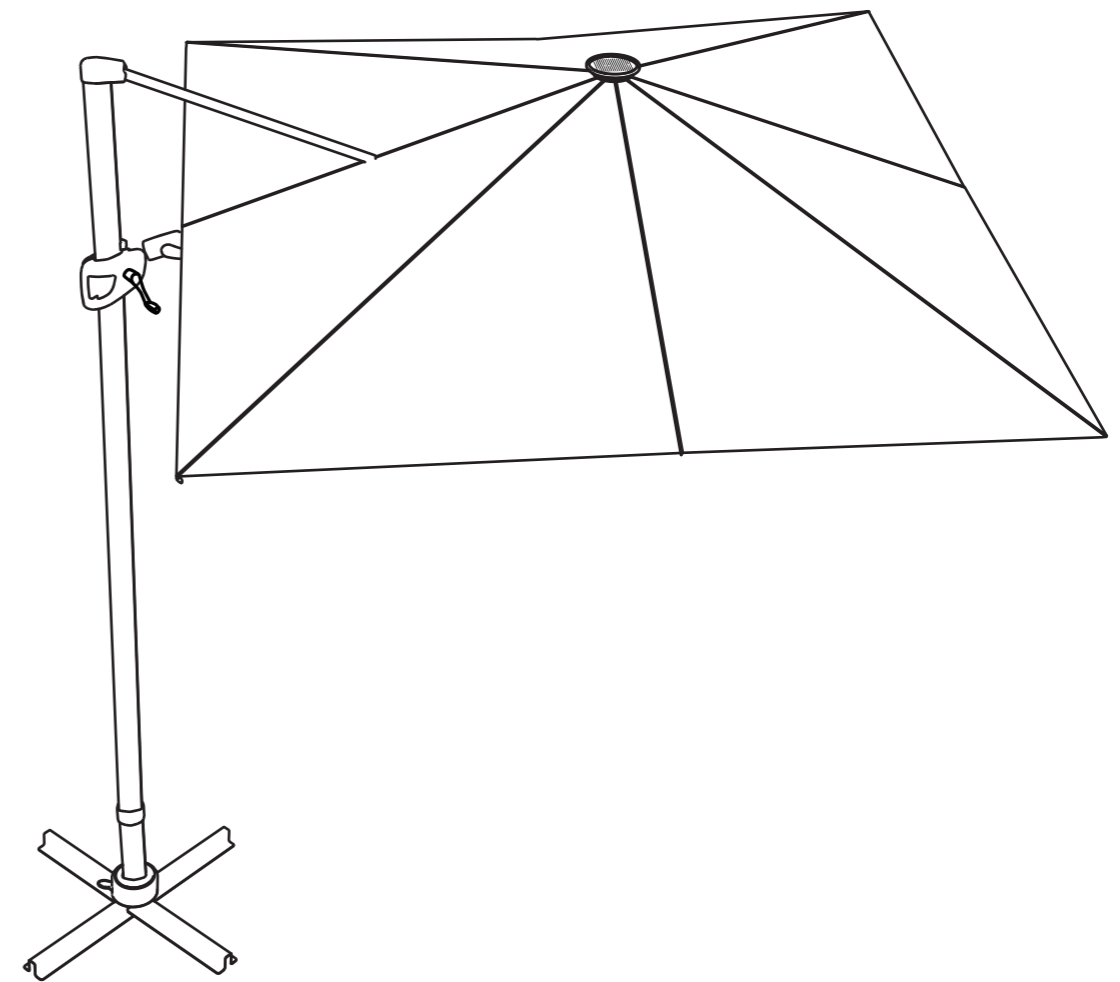
OUTPLAY THE ORDINARY

by Lausaint Home

V1.0



RECTANGULAR CANTILEVER UMBRELLA WITH LED LIGHTS



customerservice@lausaint.com

INSTRUCTION BOOK

OUTPLAY THE ORDINARY



ATTENTION 02

COMPONENT LIST 04

INSTALLATION 05

· PRODUCT ASSEMBLY 06

· OPERATING INSTRUCTIONS 12

· ADJUSTING HEIGHT 15

· ADJUSTING TILT 16

· ROTATING CANOPY 17

· CLOSING CANOPY 18

STORAGE 19

ATTACHING THE CRANK 20

DETACHING THE CRANK 21



ATTENTION!

Thank you for purchasing this product. We've created these easy-to-follow instructions to ensure you spend your time enjoying the product instead of putting it together. But, if you need more information than what is provided here, please visit lausaint.com, and refer to the Guides & Documents tab on the product's page.

If you have any questions or problems, please contact us through this email customerservice@lausaint.com

PREPARATION

Please read and understand this entire manual before attempting to assemble, operate or install the product.

PREPARATION

The product is packed in one box to ship.

Before assembly, make sure all parts are present. Compare parts with package contents list and hardware contents list.

If any part is missing or damaged, do not attempt to assemble the product.

Estimated Assembly Time: 40 minutes

WARNING!

- Tighten each bolt firmly and properly. Do not completely tighten the screws until all screws are started.
- Some parts may contain sharp edges. Wear protective gloves as necessary.
- Children under the age of 16 should not be engaged in the assembly, removal or disassembly of the product.
- Children under the age of 10 should be supervised by a competent adult while using this furniture.
- Please keep children out of the assembly area during assembly.
- This set is heavy, and may require two adults for safe assembly.
- Never use this product as support. Do not shake, lean, or climb on the product at any time.

CARE AND MAINTENANCE

- Before using, clean the product completely with a soft, dry towel.
- When not in use, wipe away dirt or loose objects, wash with a mild solution of soap and water, rinse and dry completely.
- Do not use strong detergents or abrasive cleaners.
- Store the product in a cool, dry location away from sunlight.

CAUTION

- Retain these instructions for future reference.
- Paint on this product might peel off if it is hit or used improperly.
- Use and carry this item with care and apply touch-up paint (not included) when necessary.
- This outdoor furniture is designed and made for personal non-commercial use.
- This item should not be used as a toy or a tool.
- Do not locate the product near any heat source.

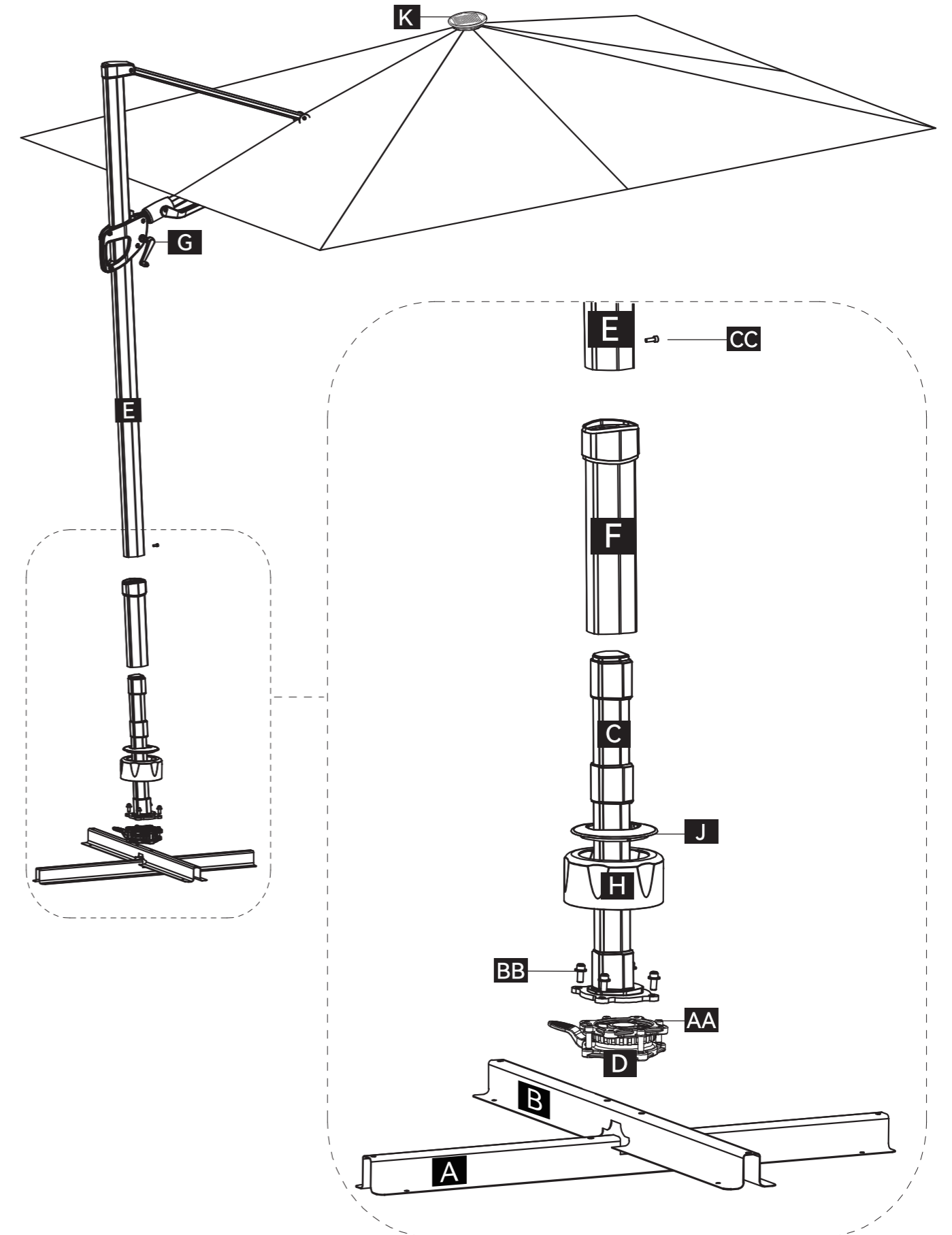
WARRANTY

This warranty is extended to the original purchaser and applies to defects in materials and workmanship of your patio furniture provided your furniture is maintained with care and used only for personal, residential purposes.

The frame is warranted to be free from defects in material or workmanship for one (1) year.

The fabric is insured for three (3) years against defects in material or workmanship.

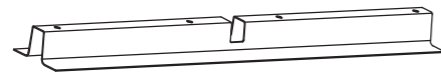
PARTS #	QTY	DESCRIPTION	PARTS #	QTY	DESCRIPTION
A	1		F	1	
B	1		G	1	
C	1		H	1	
D	1		J	1	
E	1		K	1	
AA	4+1	 M10X30	DD	1	 S5
BB	4+1	 M10X22	EE	1	 S8
CC	1+1				



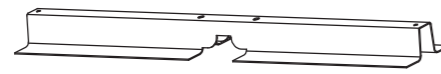
STEP

01

PRODUCT ASSEMBLY

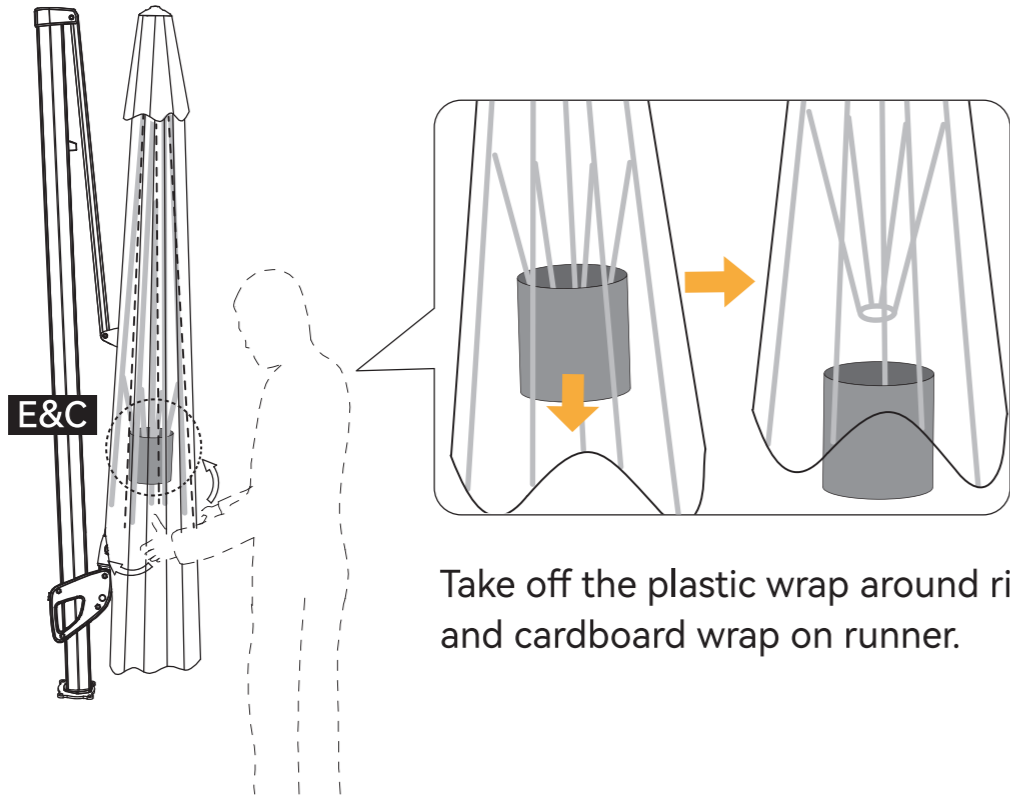


A x1



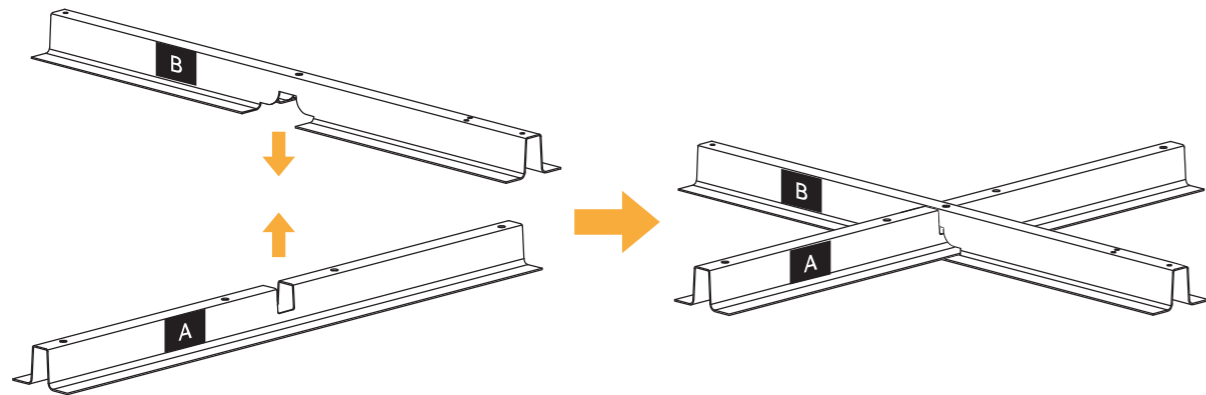
B x1

①

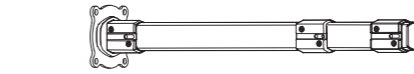


Take off the plastic wrap around ribs and cardboard wrap on runner.

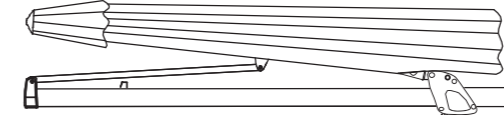
②



PRODUCT ASSEMBLY



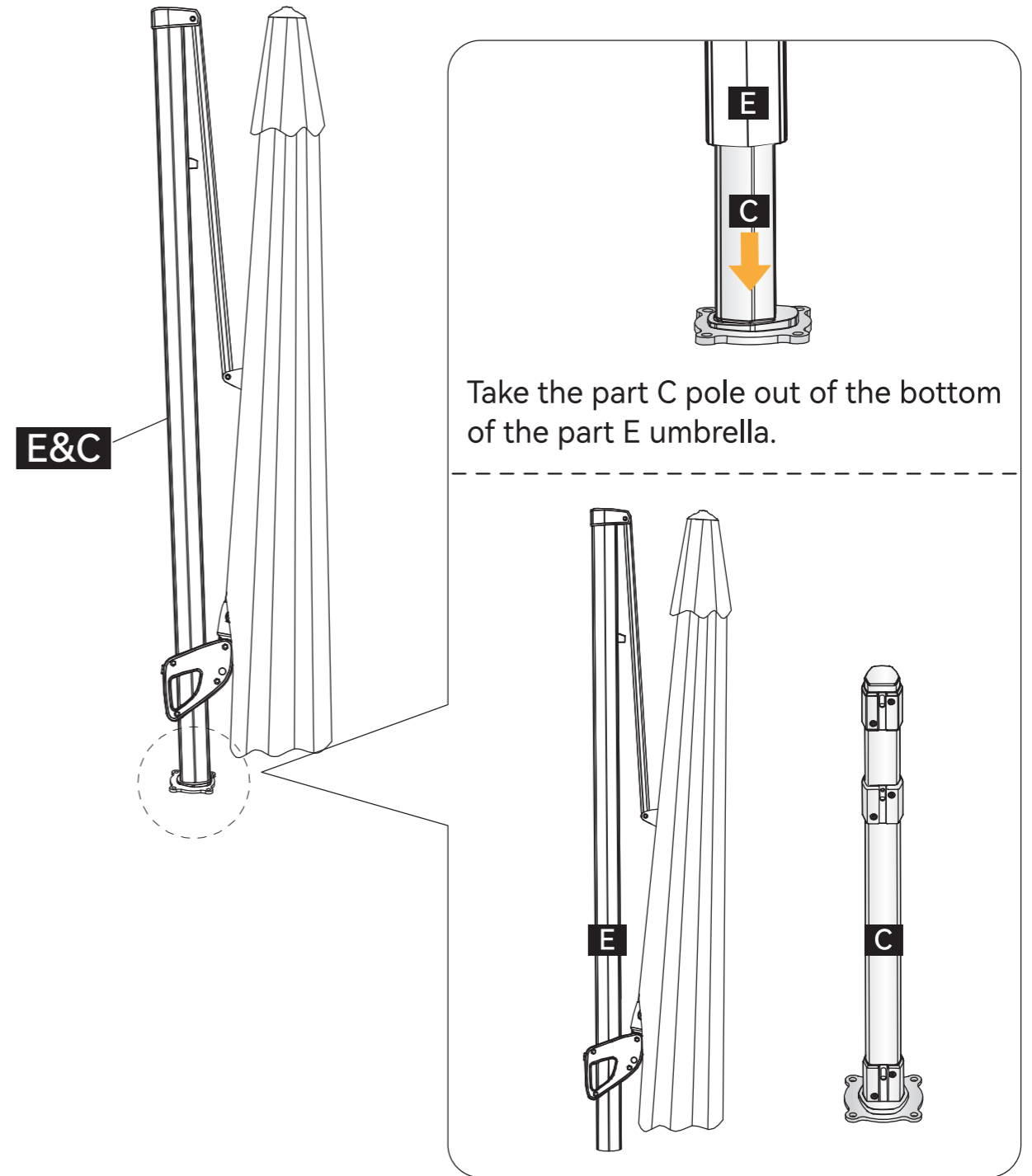
C x1



E x1

STEP

02



Take the part C pole out of the bottom of the part E umbrella.

STEP

03

PRODUCT ASSEMBLY



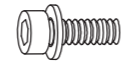
C x1



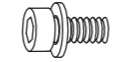
D x1



EE x1



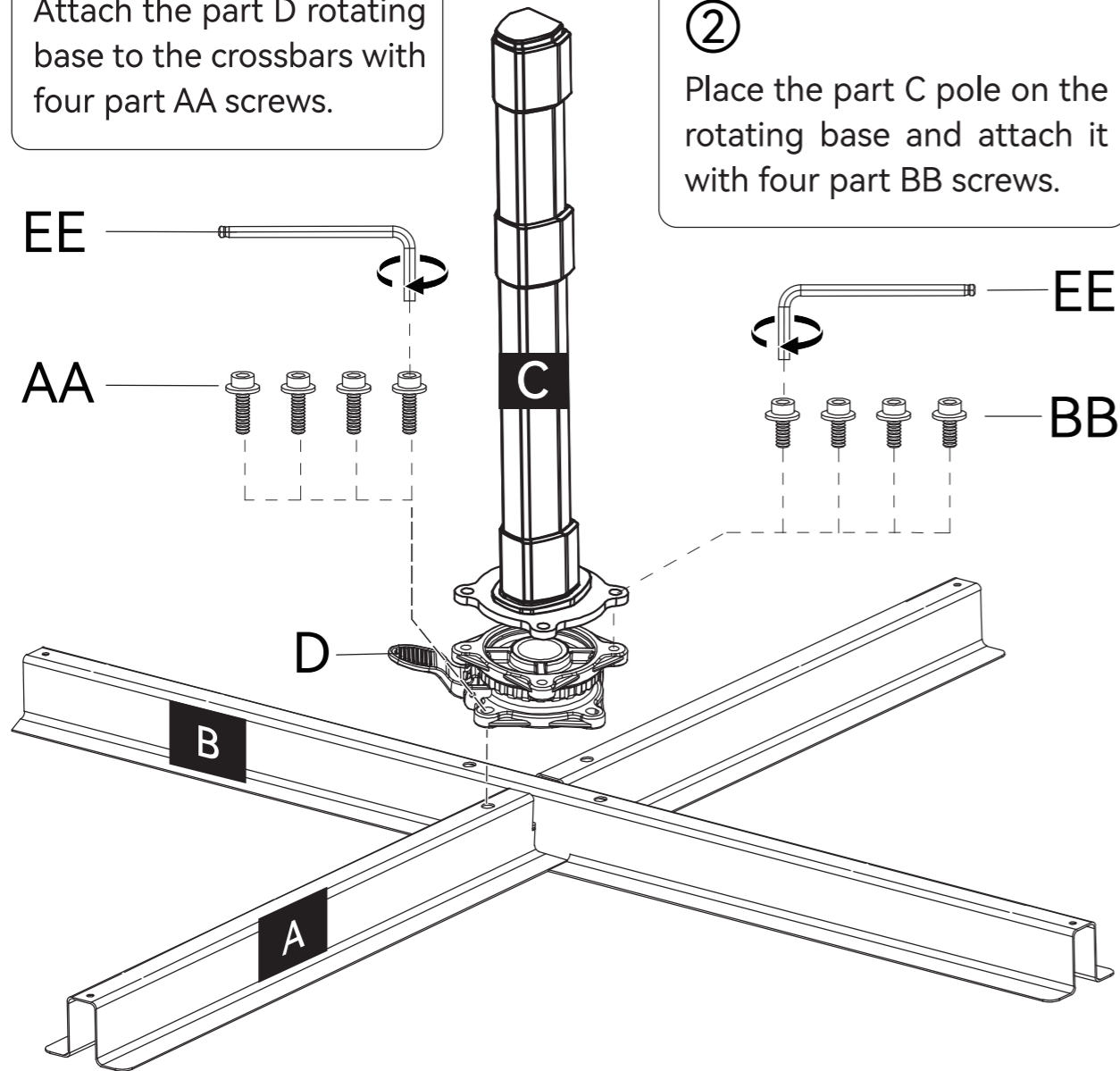
M10 X 30 AA x4



M10 X 22 BB x4

① Attach the part D rotating base to the crossbars with four part AA screws.

② Place the part C pole on the rotating base and attach it with four part BB screws.



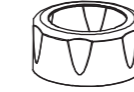
PRODUCT ASSEMBLY

STEP

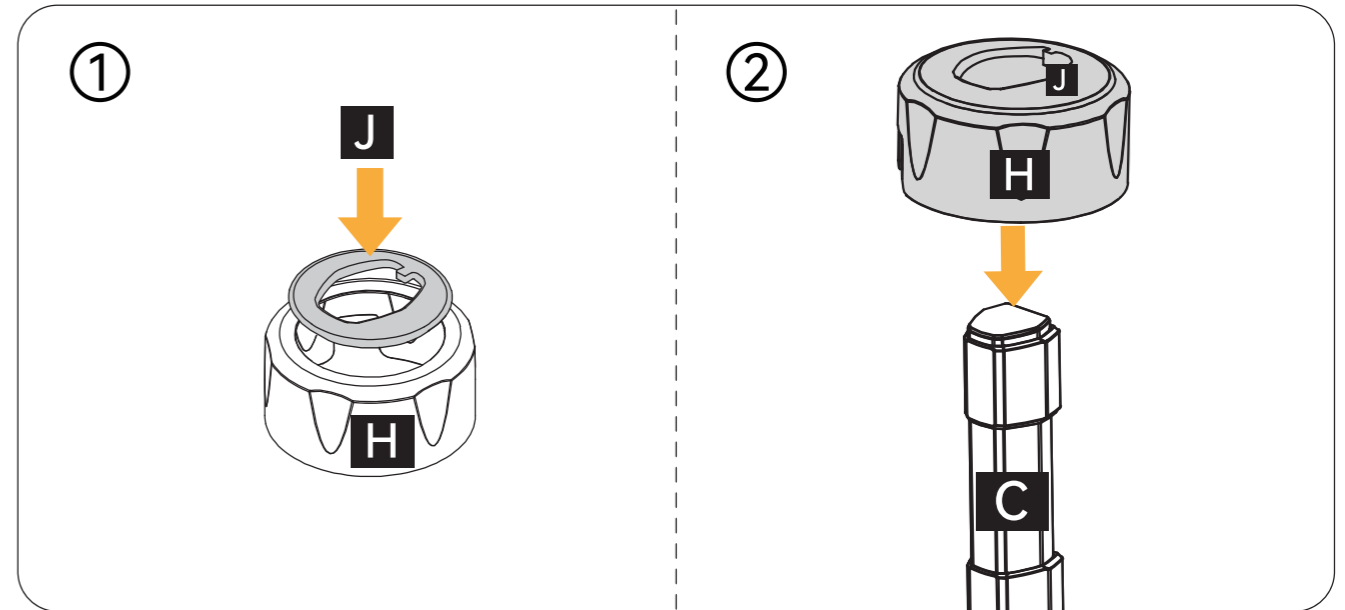
04



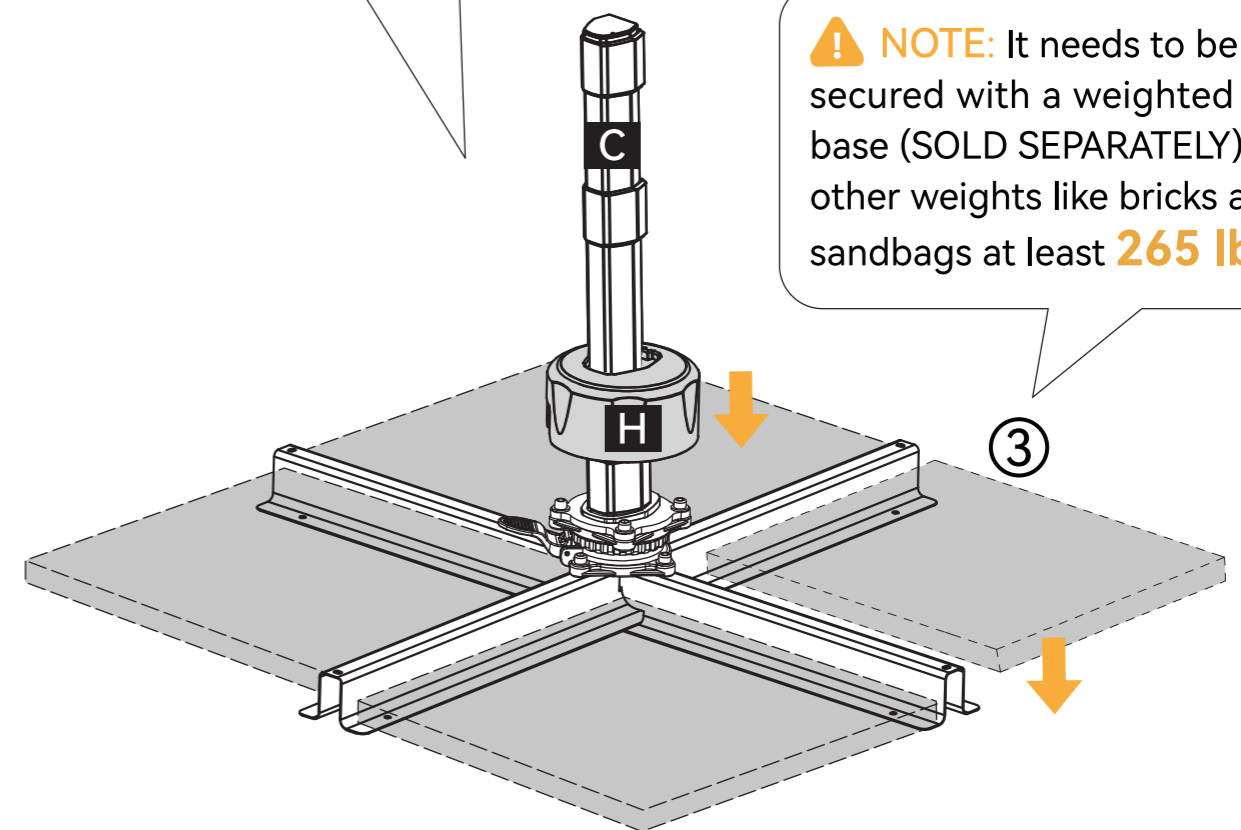
J x1



H x1



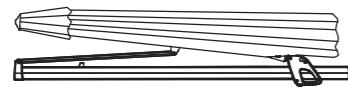
⚠ NOTE: It needs to be secured with a weighted base (SOLD SEPARATELY) or other weights like bricks and sandbags at least **265 lbs.**



STEP

05

PRODUCT ASSEMBLY



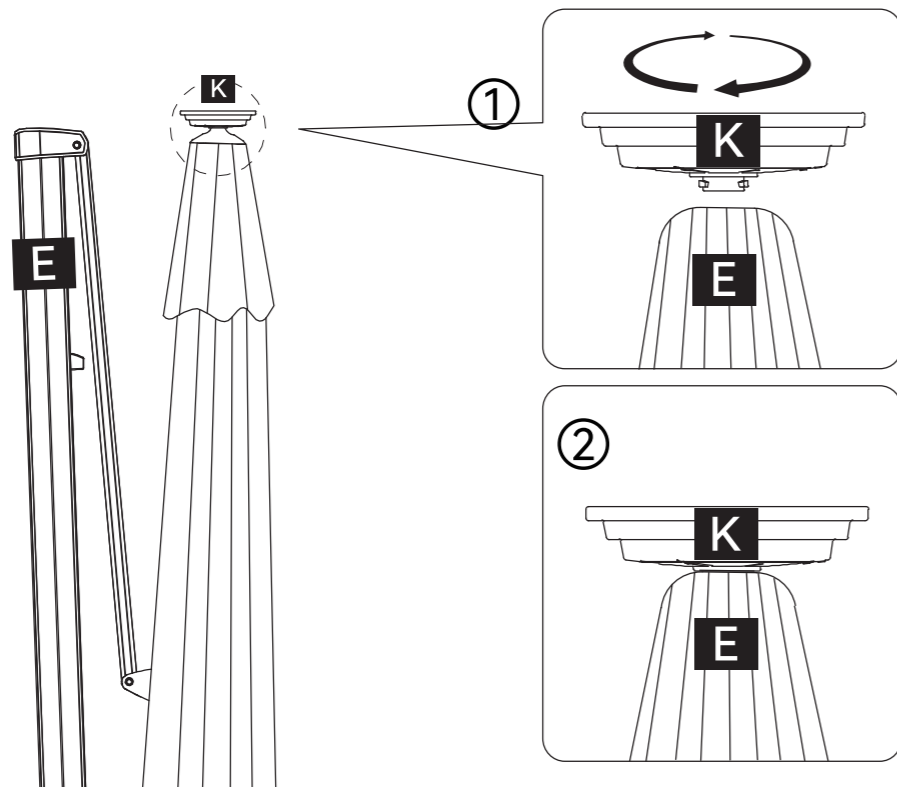
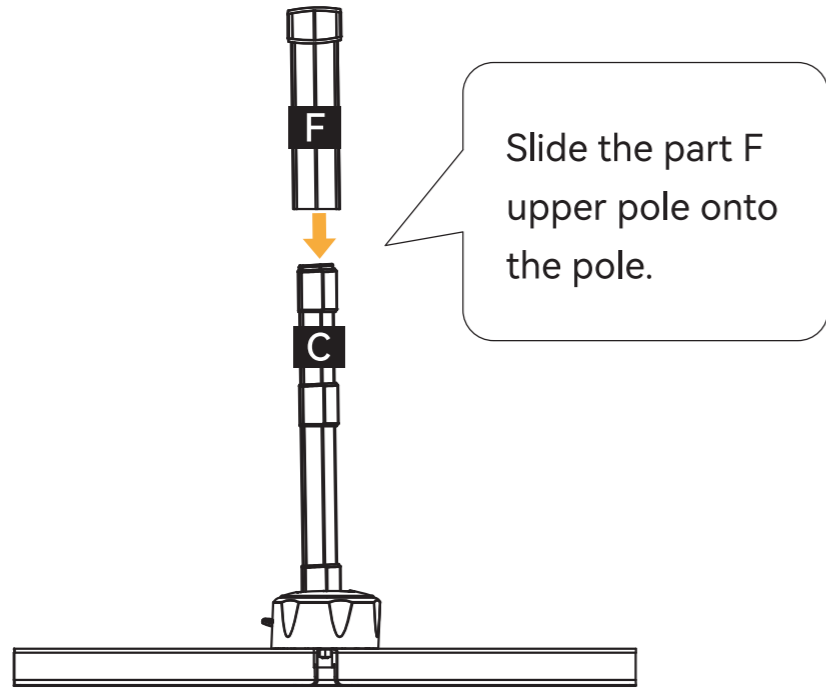
E x1



K x1



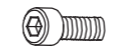
F x1



PRODUCT ASSEMBLY

STEP

06

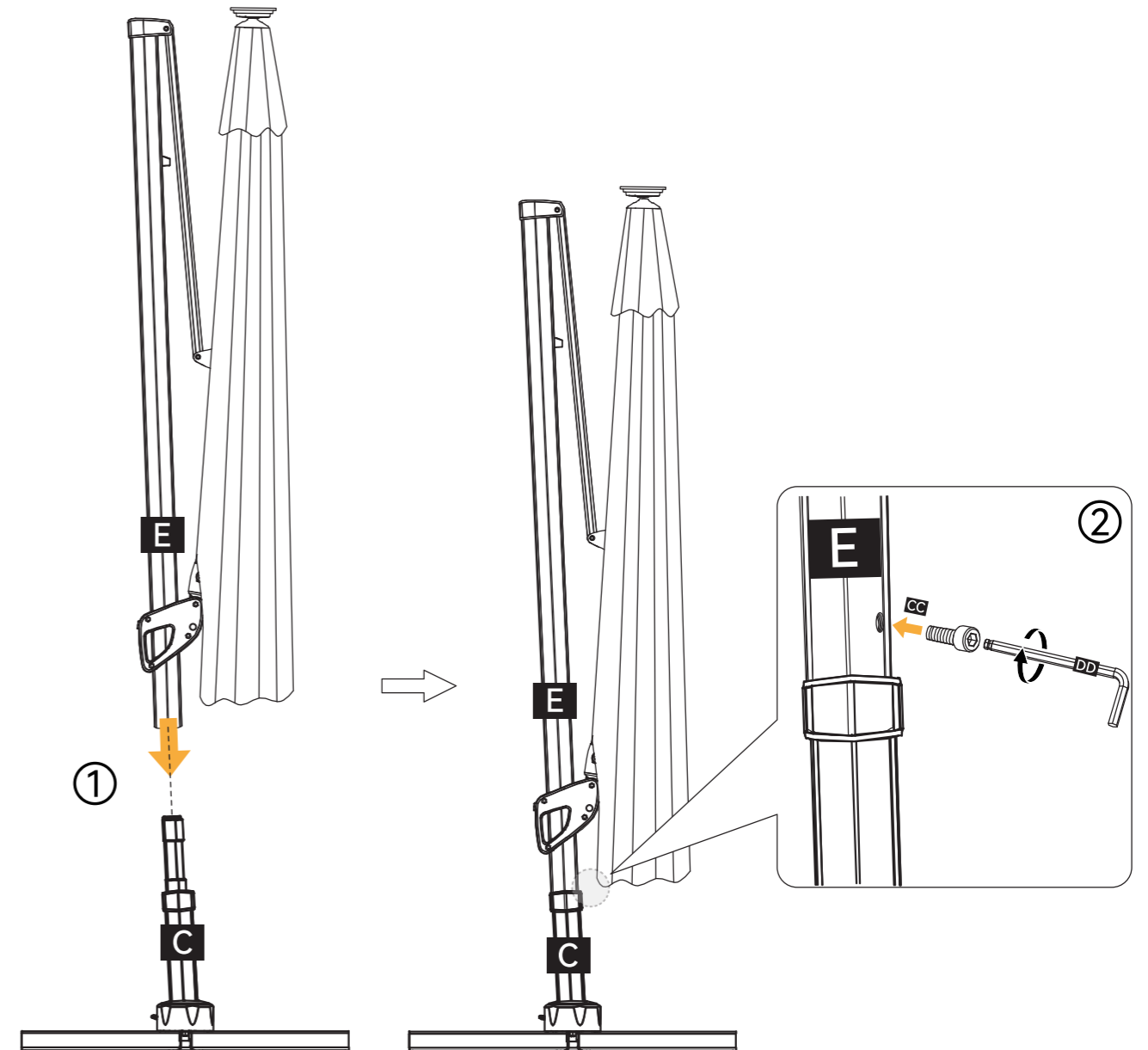


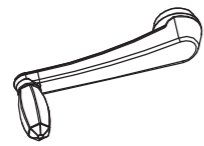
M6X15

CC x1

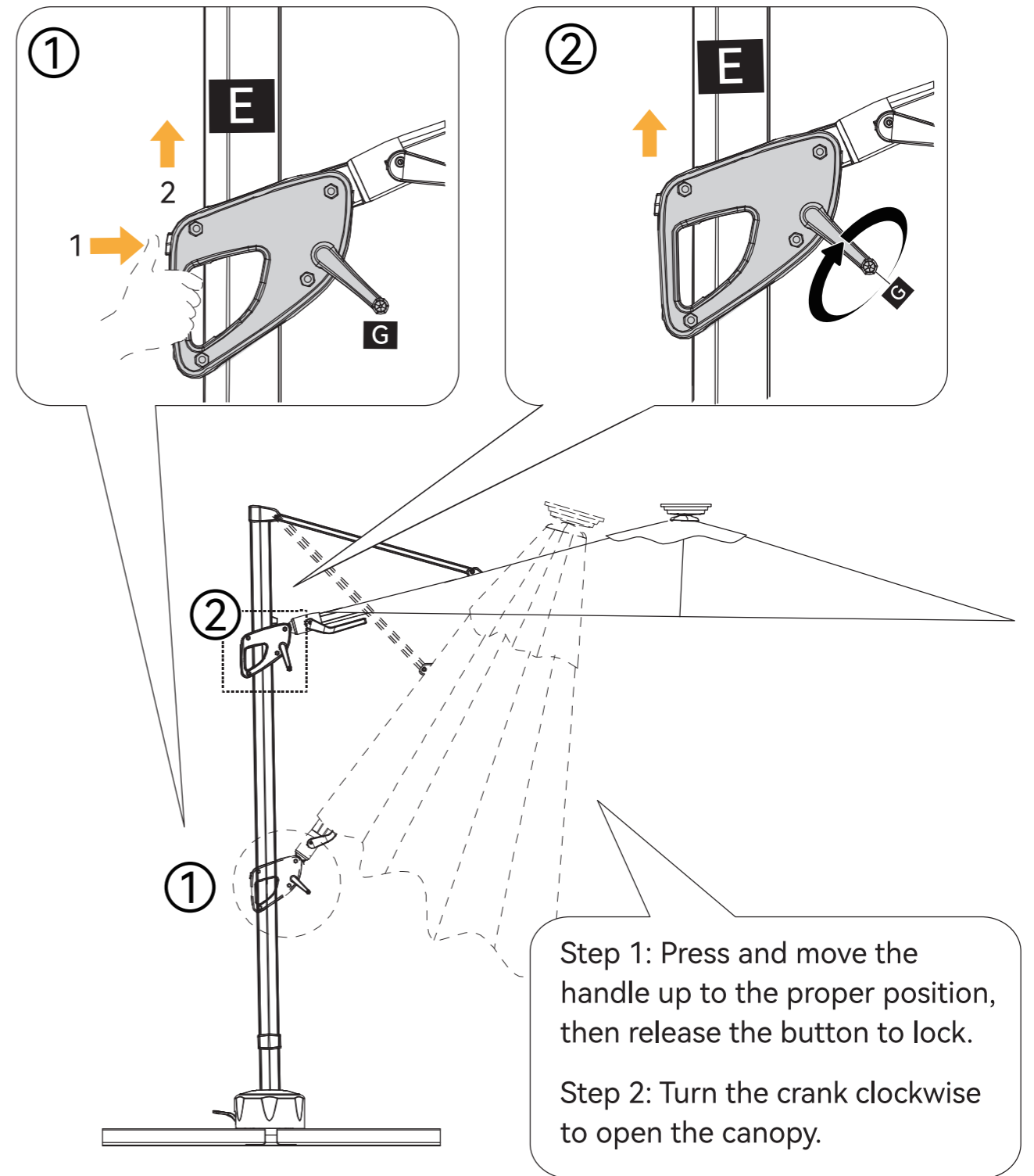
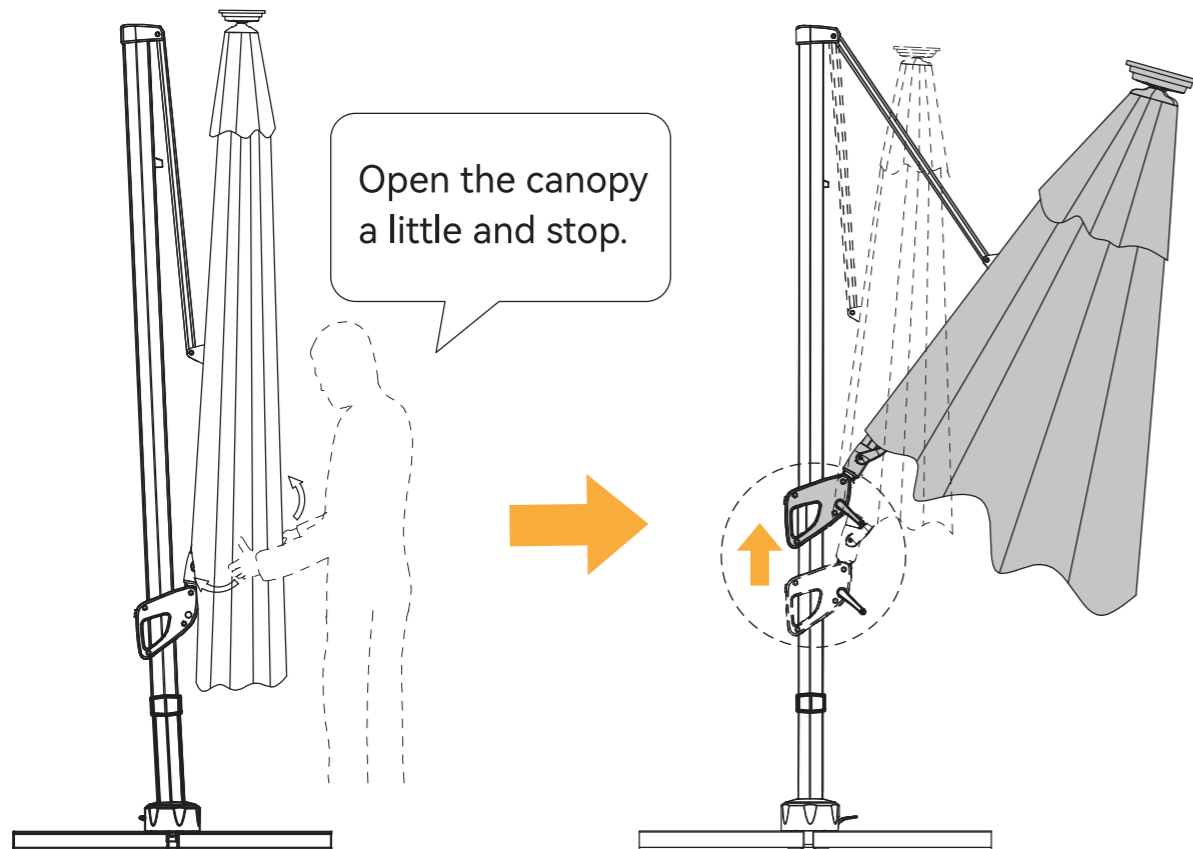
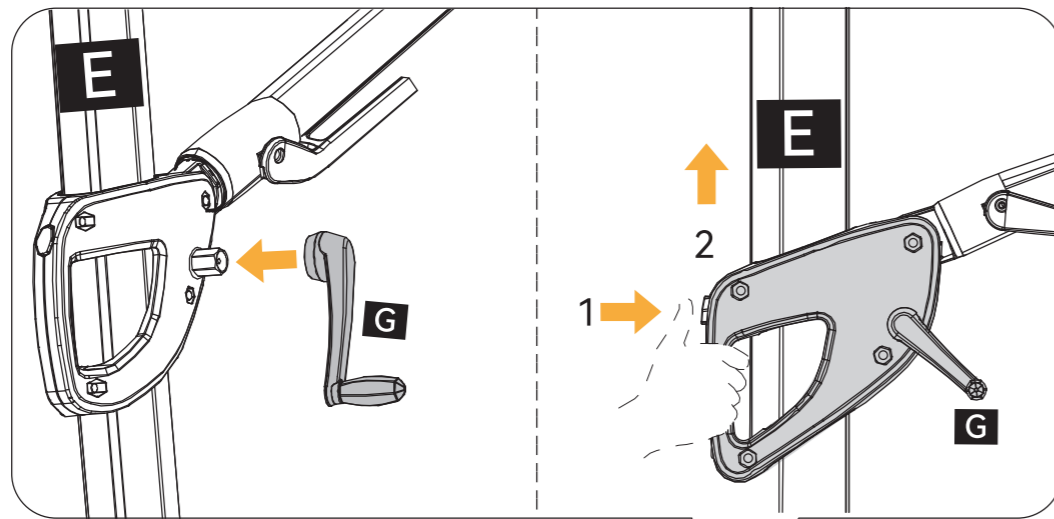


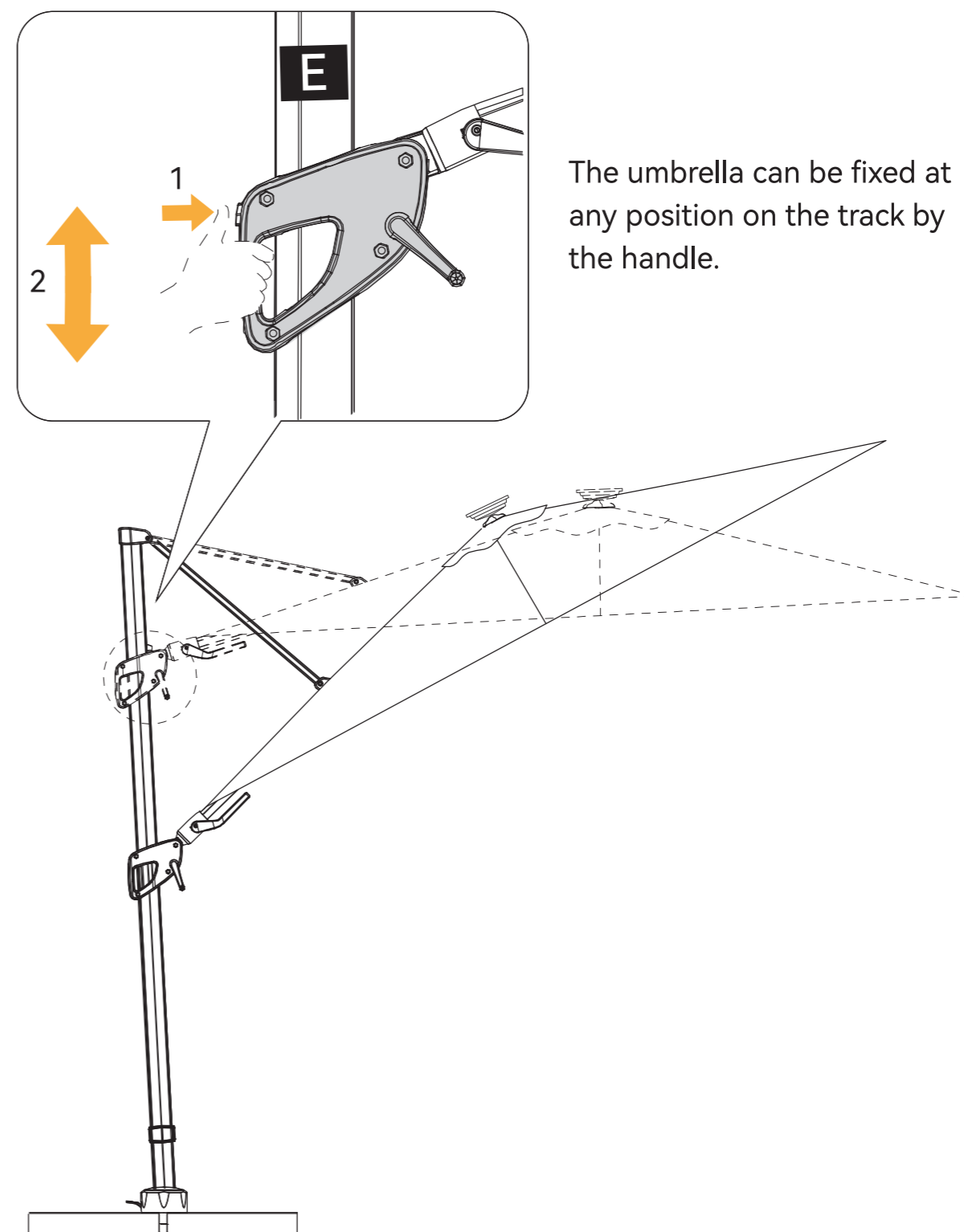
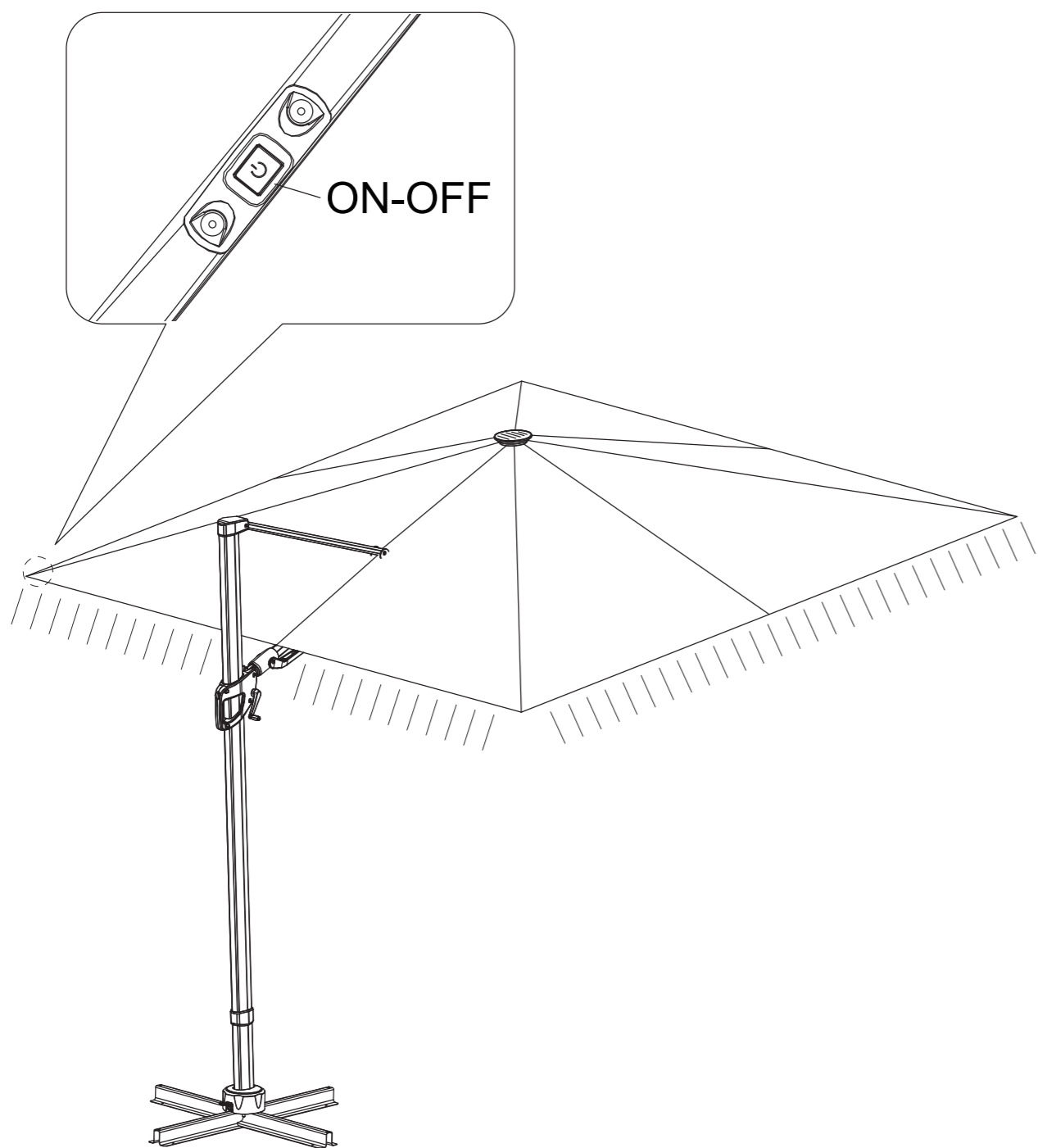
DD x1





G x1



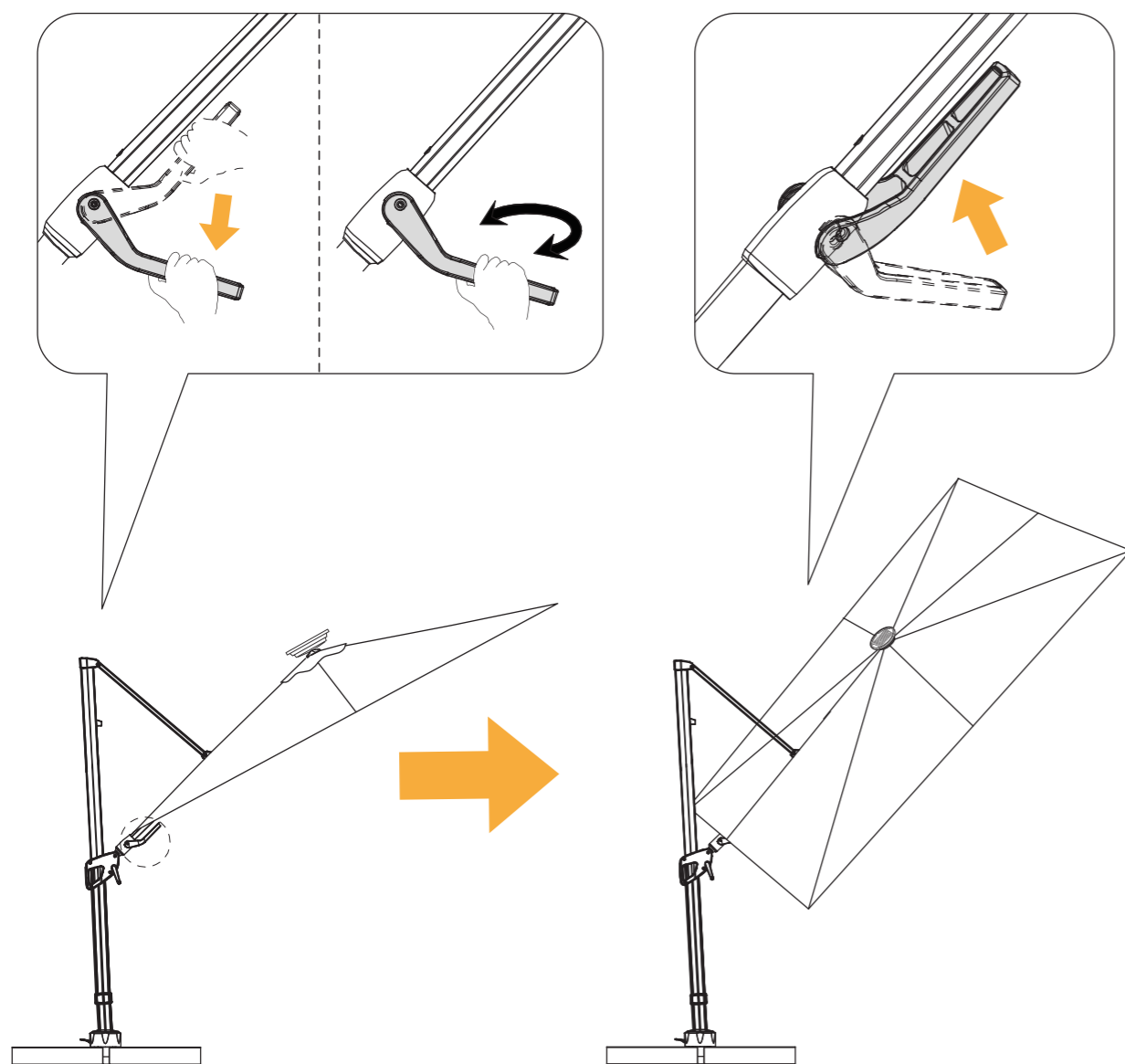


STEP

ADJUSTING TILT

11

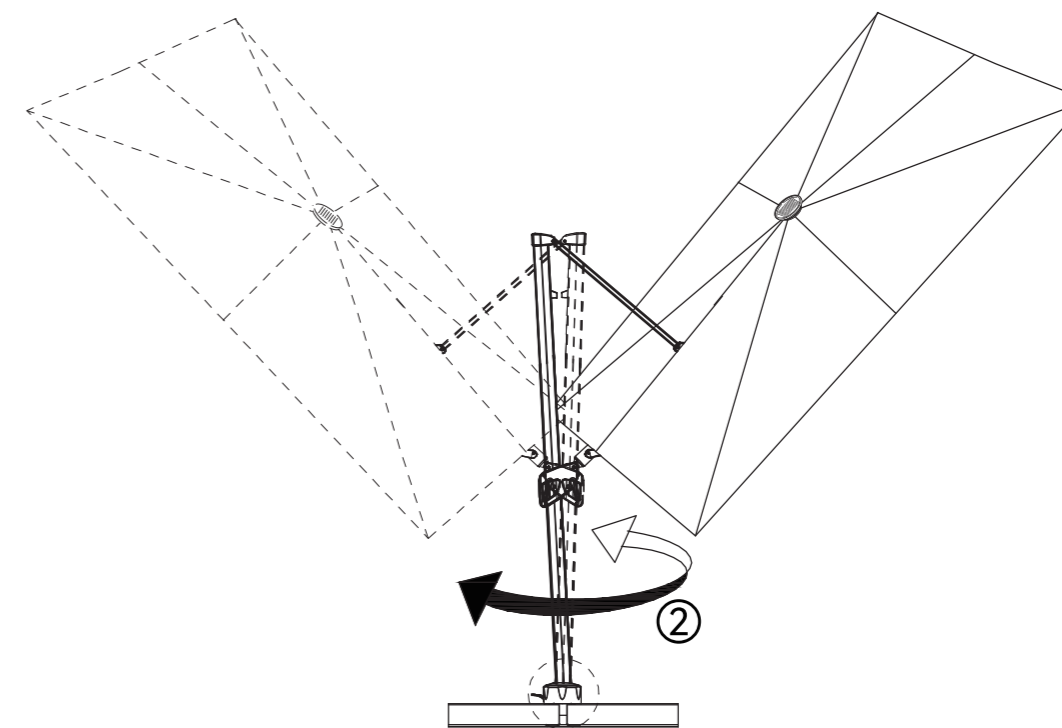
Umbrella tilt function: Pull down the long handle, adjust the umbrella surface to the proper position, then push the long handle back to lock.



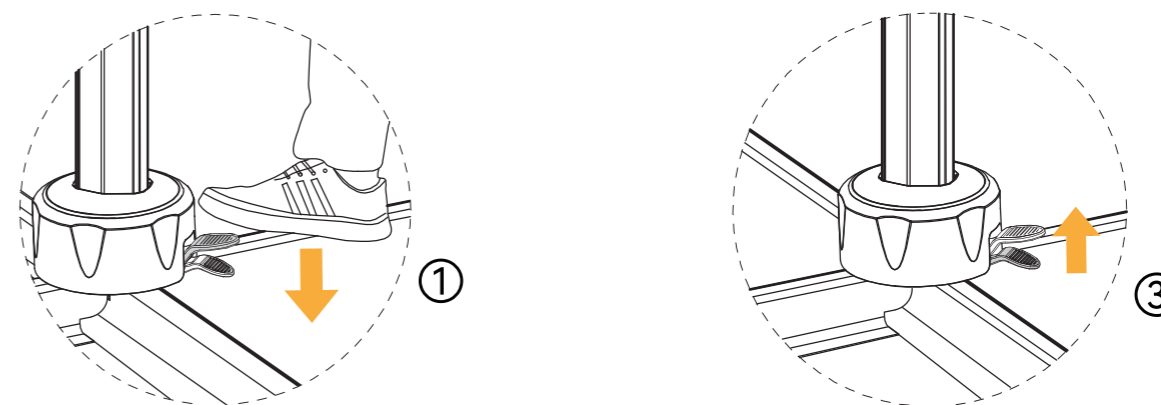
ROTATING CANOPY

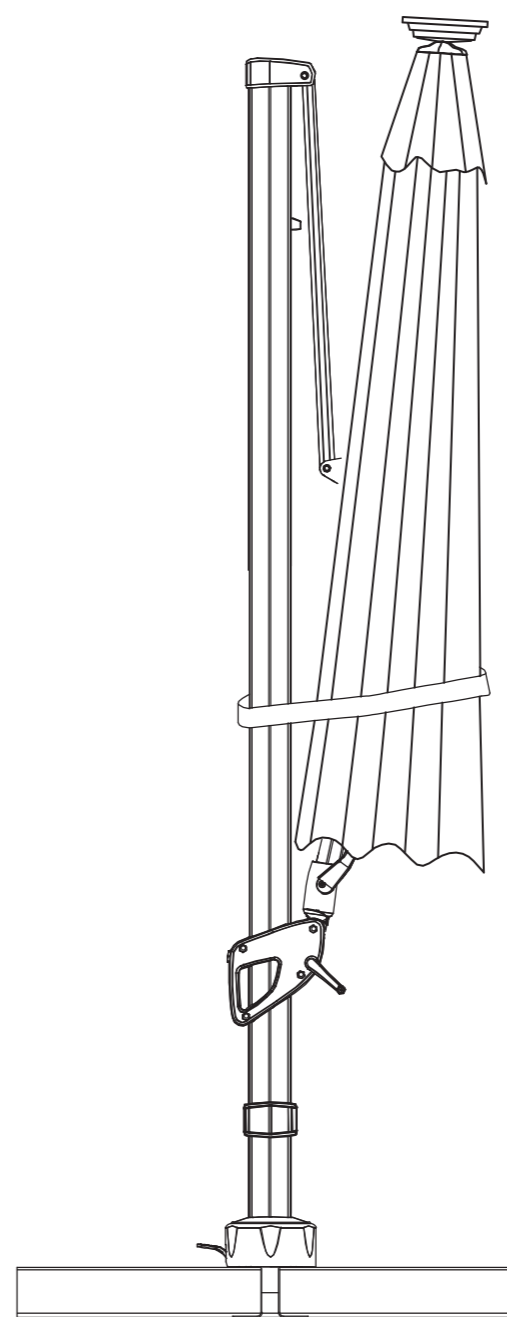
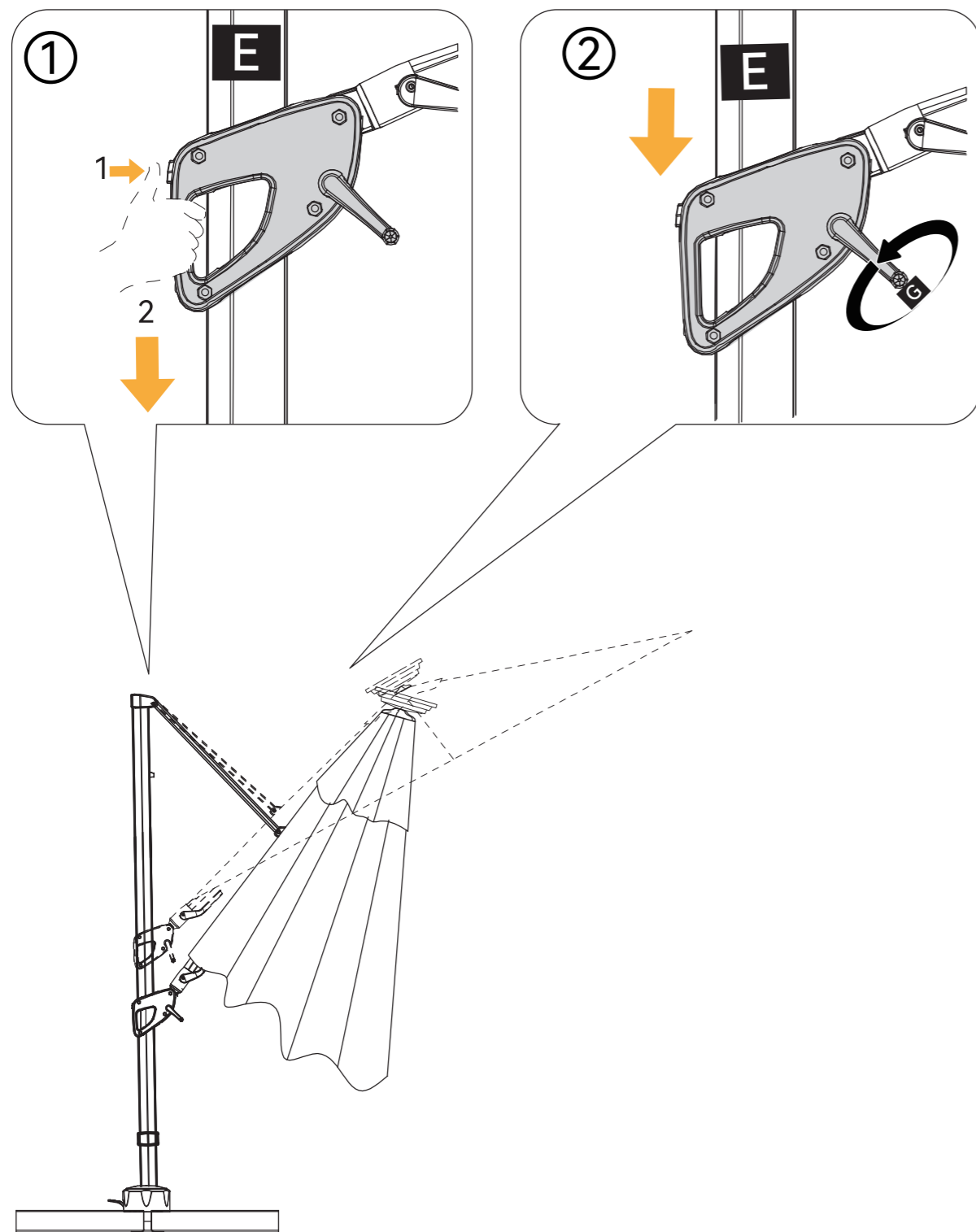
STEP

12



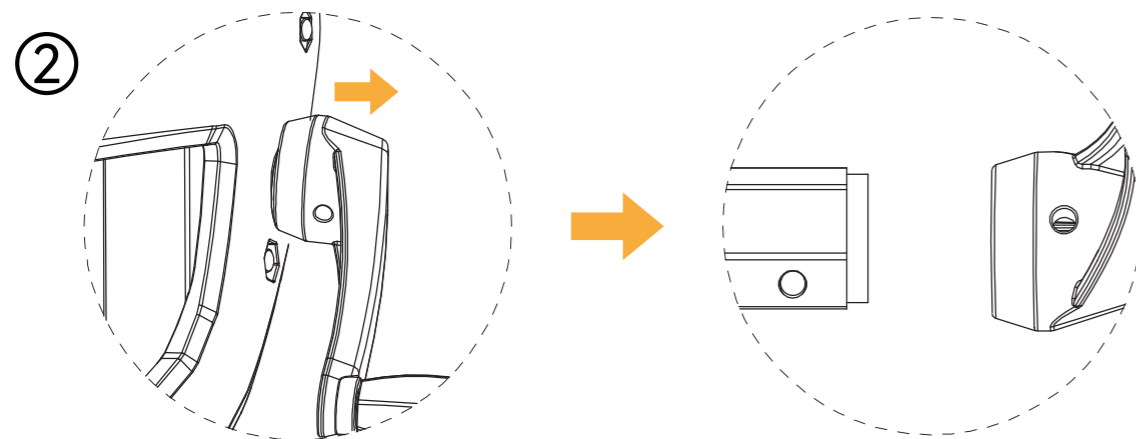
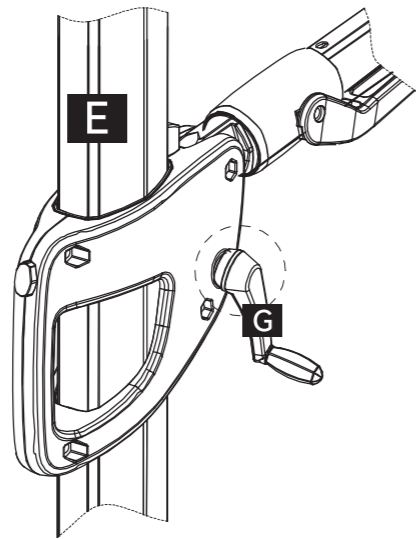
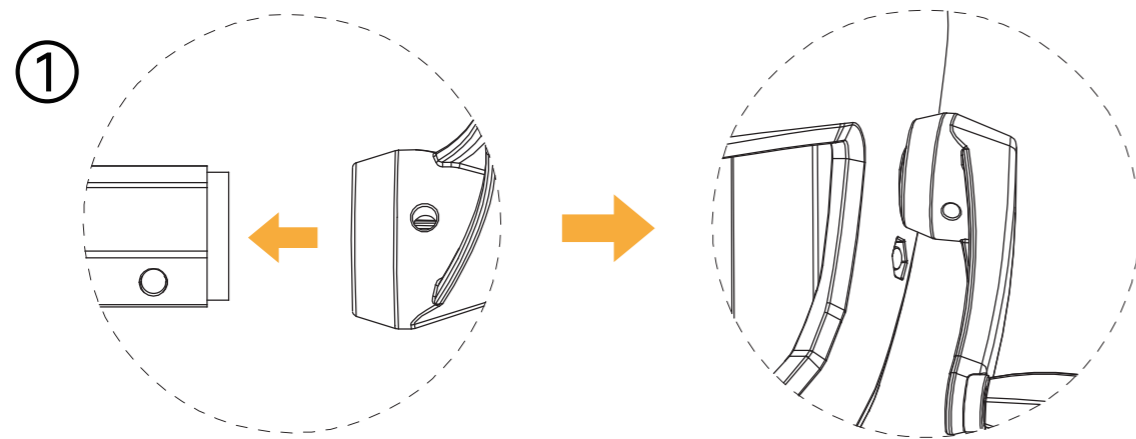
Compress the pedal on the rotating base to rotate the canopy to the proper position, then release the pedal to lock it.





When not in use, tighten the product with the straps and store it in a dry area shielded from the weather.

1. Attach the crank (G) to the handle as shown in Figure 1.
2. Attach the crank(G) by aligning the tap with the hole on the crank(G) until it snaps into place.



1. To detach the crank, the hex wrench thin and hard is required to press the tap to take the crank (G) out.
2. Attach the crank (G) without using the tap as shown in Figure 2.
3. To detach the crank (G), just take the crank out.

