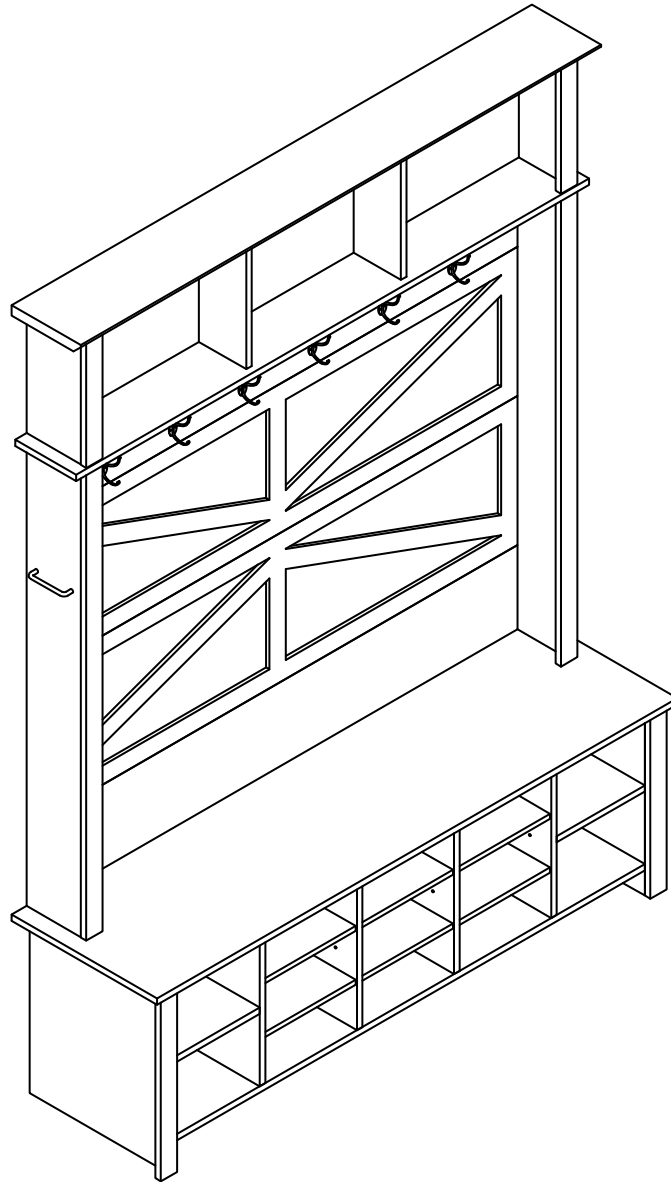


Hall Tree

Assembly Instructions -Please keep for future reference



Dimensions

Width-56.3 inch
Depth-15.8 inch
Height-74.8 inch



WARNING



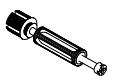
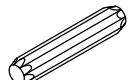









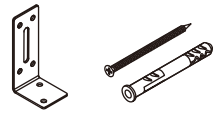


This product is NOT a Clothing Storage Unit (CSU).
DO NOT use it for clothing storage.
Improper use may cause furniture tipover.

Important -Please read these instructions fully before starting assembly

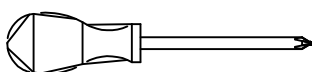
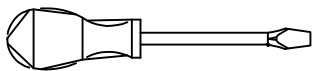
Components -Fittings

Please check you have all the panels listed below

Note: The quantities below are the correct amount to complete the assembly. In some cases more fittings may be supplied than are required.

hardware pack 1 OF 4 1-4	hardware pack 2 OF 4 2-4	hardware pack 3 OF 4 3-4	hardware pack 4 OF 4 4-4
 <p>A Cam Bolt x 62+3</p>	 <p>C Dowel x 63+3</p>	 <p>E Clothes hook x 6</p>	 <p>O legs x 2</p>
 <p>B Cam lock x 62+3</p>	 <p>F Sticker Cover x 42+2</p>		
 <p>G Movable partition bracket x 24</p>	 <p>K 4*40mm Screw x 2+1</p>		
 <p>D 3.5*14mm Screw x 28+2</p>	 <p>L 7*50mm Screw x 20+2</p>		
 <p>H Plastic buckle x 12</p>	 <p>J Anti-tipping device X 2</p>		
 <p>M 96mm Umbrella stand x 1</p>	 <p>N 4*25mm Screw x 2</p>		

Tools required



Phillips screwdriver
(medium & large)



Safety and Care Advice

Important – Please read these instructions fully before starting assembly

- Check you have all the components and tools listed on the following pages.
- Remove all fittings from the plastic bags and separate them into their groups.
- Keep children and animals away from the work area, small parts could choke if swallowed.
- Make sure you have enough space to layout the parts before starting.

- During assembly do not stand or put weight on the product, this could cause damage.
- Assemble the item as close to its final position (in the same room) as possible.
- Assemble on a soft level surface to avoid damaging the unit or your floor.
- Parts of the assembly will be easier with 2 people.



power drill is set on a low torque setting.

- To reduce the likelihood of damaging your product please ensure that your

Care and maintenance

- Only clean using a damp cloth and mild detergent, do not use bleach or abrasive cleaners.
- From time to time check that there are no loose screws on this unit.
- This product should not be discarded with household waste. Take to your local authority waste disposal centre.

Handy Hints

- Assemble all parts and bolts loosely during assembly, only once the product is complete should you fully tighten the bolts
- Regularly check and ensure That all bolts and fittings are tightend properly.

WARNING
In order to help prevent overturning – please follow these instructions

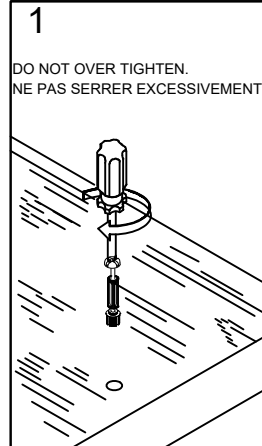
To help prevent product toppling over please follow the below steps:-

- Use the anti tip stap or wall fixing method provided (if applicable)
- Do not allow children to climb or hang on the furniture
- Do not open more than one drawer at a time
- Do not place heavy items in the top drawers
- Do not place heavy items on top of the furniture, unless the furniture has been designed for this purpose

Using Camlocks

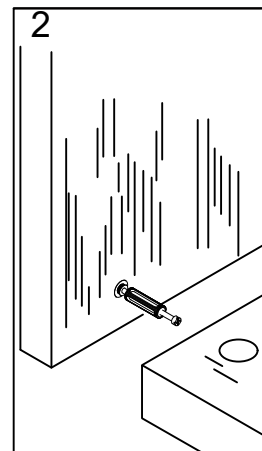
Step 1

Connect the male camlock as directed in the assembly instructions using a screwdriver.



Step 2

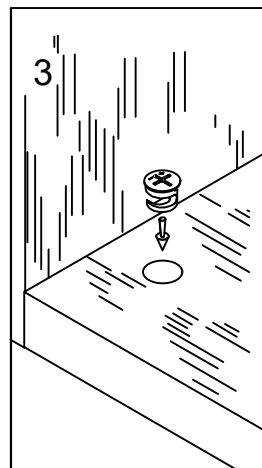
Push the male camlock into the entry hole.



Step 3

Insert the female camlock as shown in the instruction.

Note: ensure that the arrow on the top of the camlock points towards the entry hole for the male camlock.

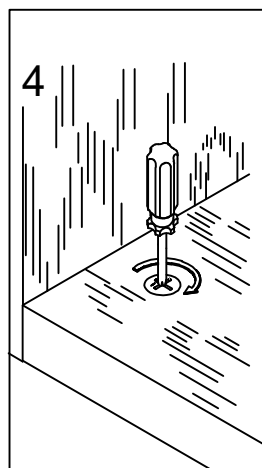


Step 4

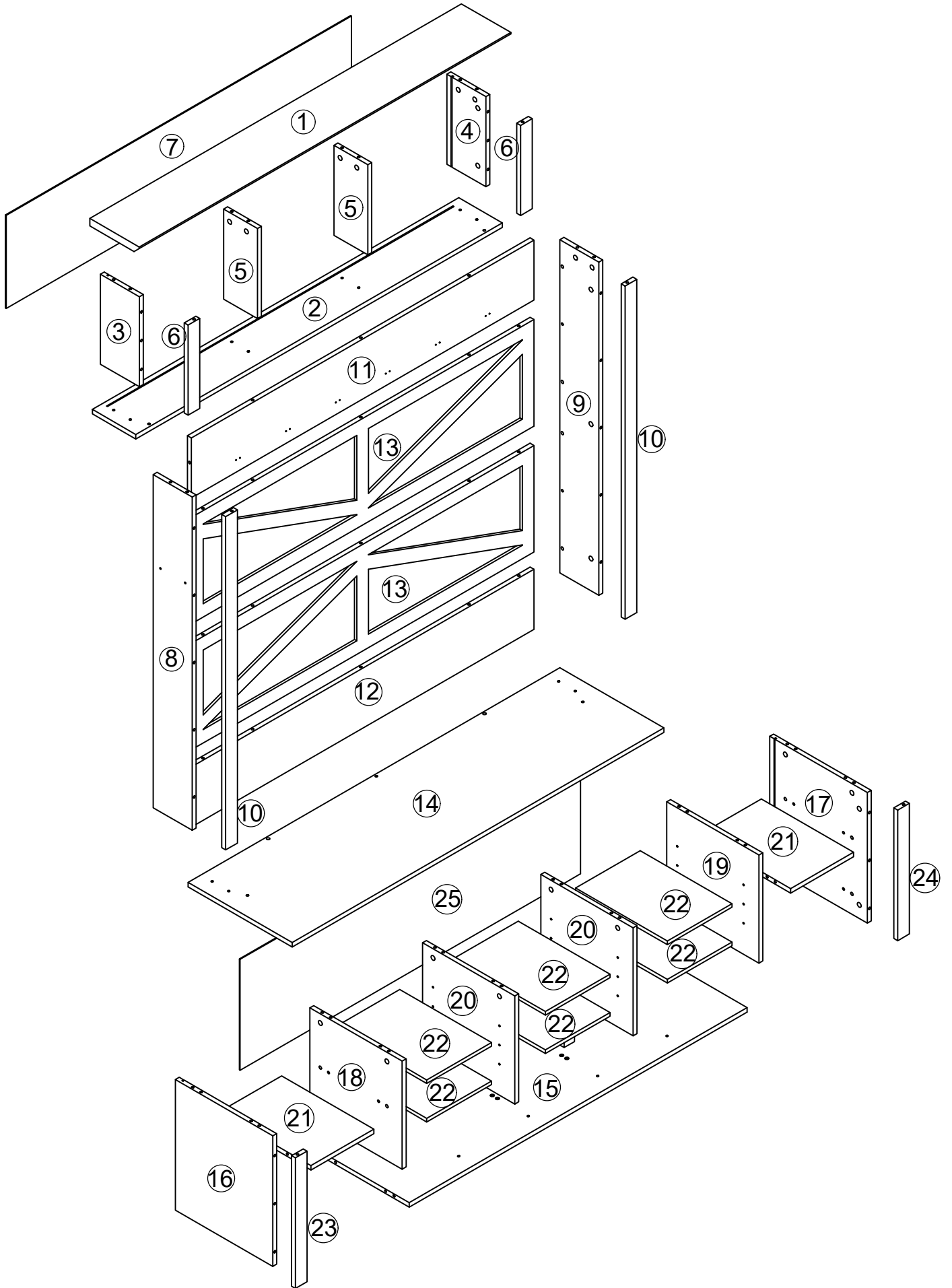
Turn the female camlock clockwise with a screwdriver.

You should feel a click when the camlock is locked in place.

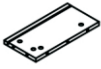
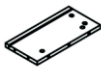


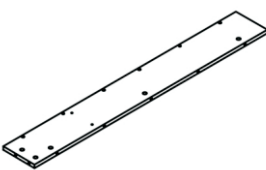
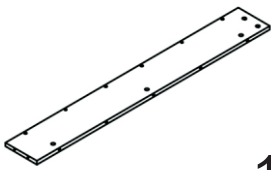
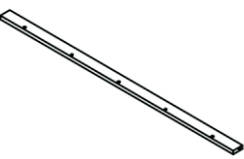
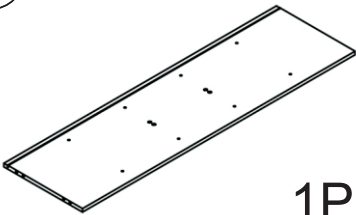
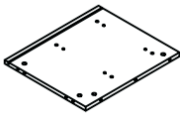
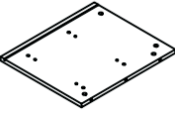
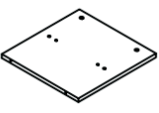
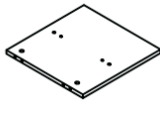
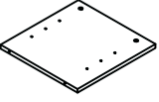
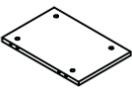
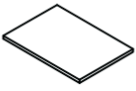


The joint is now secure.



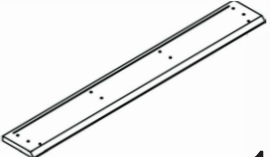

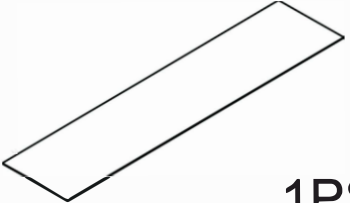
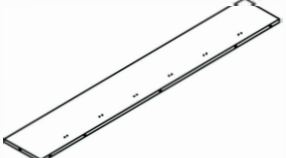

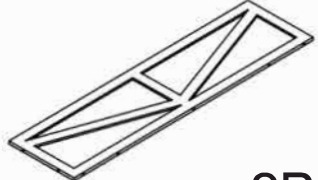
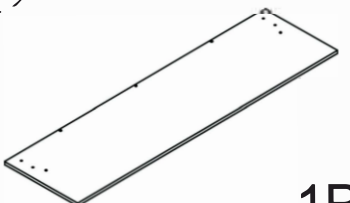
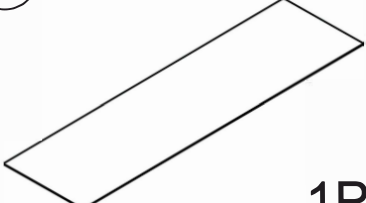
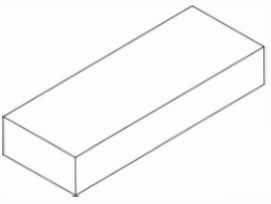
Assembly Instructions



N721P384662K

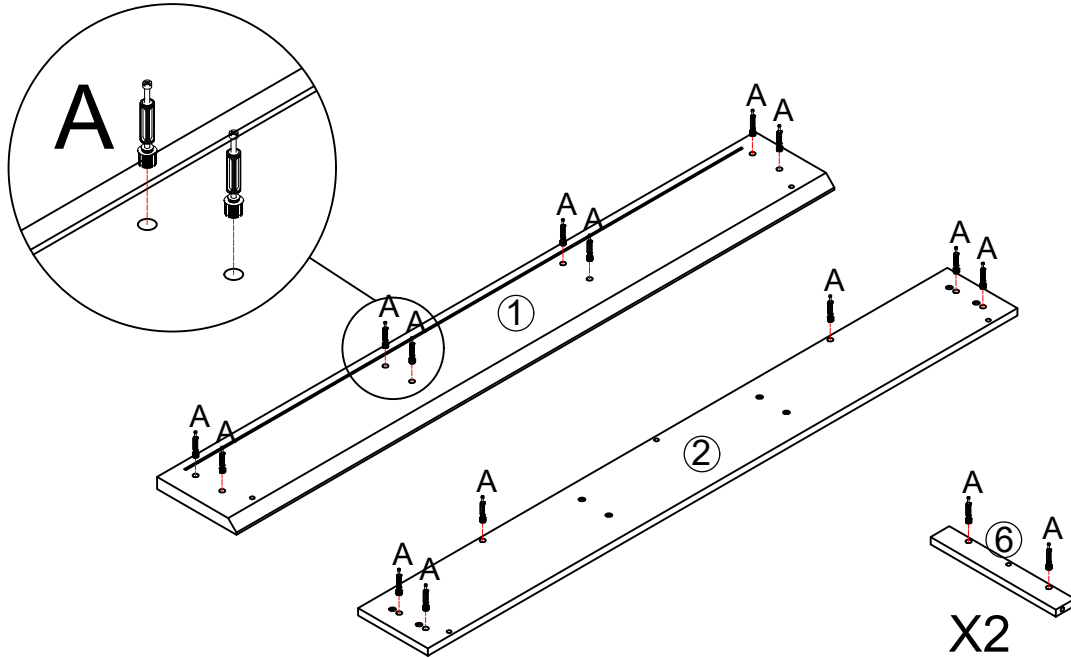
<p>③ 300*150*15mm</p>  <p>1PS</p>	<p>④ 300*150*15mm</p>  <p>1PS</p>	<p>⑤ 300*130*15mm</p>  <p>2PS</p>
<p>⑥ 300*45*15mm</p>  <p>2PS</p>	<p>⑧ 1110*150*15mm</p>  <p>1PS</p>	<p>⑨ 1110*150*15mm</p>  <p>1PS</p>
<p>⑩ 1110*45*15mm</p>  <p>2PS</p>	<p>⑮ 1300*375*15mm</p>  <p>1PS</p>	<p>⑯ 435*375*15mm</p>  <p>1PS</p>
<p>⑰ 435*375*15mm</p>  <p>1PS</p>	<p>⑱ 360*355*15mm</p>  <p>1PS</p>	<p>⑲ 360*353*15mm</p>  <p>1PS</p>
<p>⑳ 360*355*15mm</p>  <p>2PS</p>	<p>㉑ 242*355*15mm</p>  <p>2PS</p>	<p>㉒ 249*353*12mm</p>  <p>6PS</p>
<p>㉓ 435*45*15mm</p>  <p>1PS</p>	<p>㉔ 435*45*15mm</p>  <p>1PS</p>	

N721P384663K

<p>① 1430*190*25mm</p>  <p>1PS</p>	<p>② 1410*167*15mm</p>  <p>1PS</p>	<p>⑦ 1328*310*3mm</p>  <p>1PS</p>
<p>⑪ 1318*200*15mm</p>  <p>1PS</p>	<p>⑫ 1318*200*15mm</p>  <p>1PS</p>	<p>⑬ 1318*355*15mm</p>  <p>2PS</p>
<p>⑭ 1430*400*15mm</p>  <p>1PS</p>	<p>⑳ 1310*370*3mm</p>  <p>1PS</p>	 <p>x4 Hardware Kit</p>

Assembly Instructions

Step 1

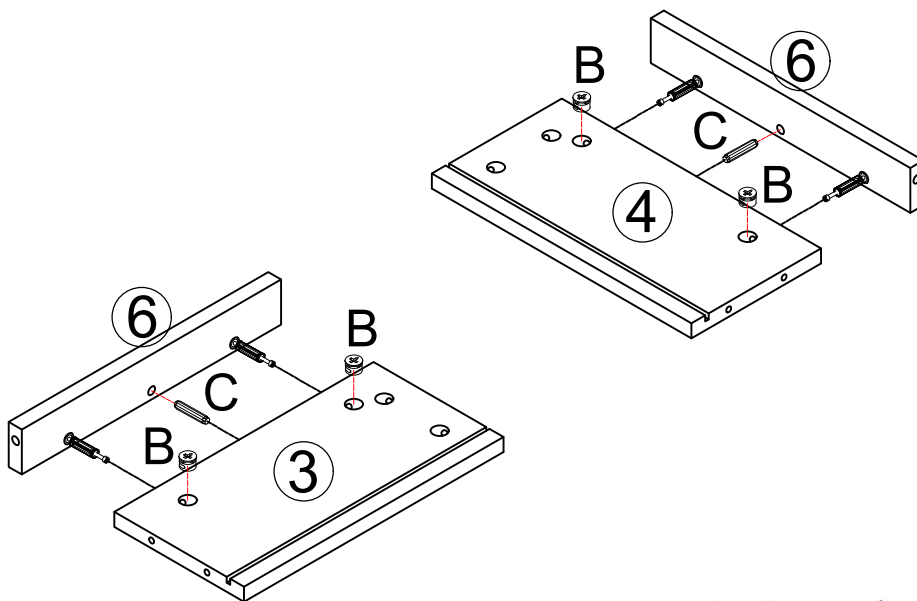


(A)



Cam Bolt x 18

Step 2

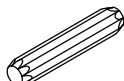


(B)



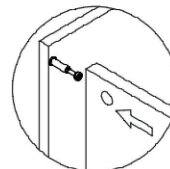
Cam lock x 4

(C)

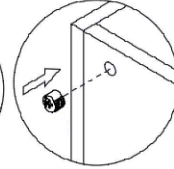


Dowel x 2

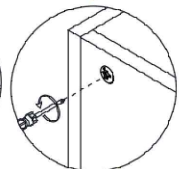
step1



step2

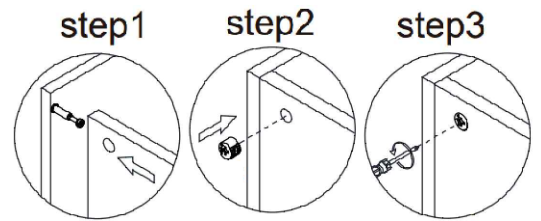
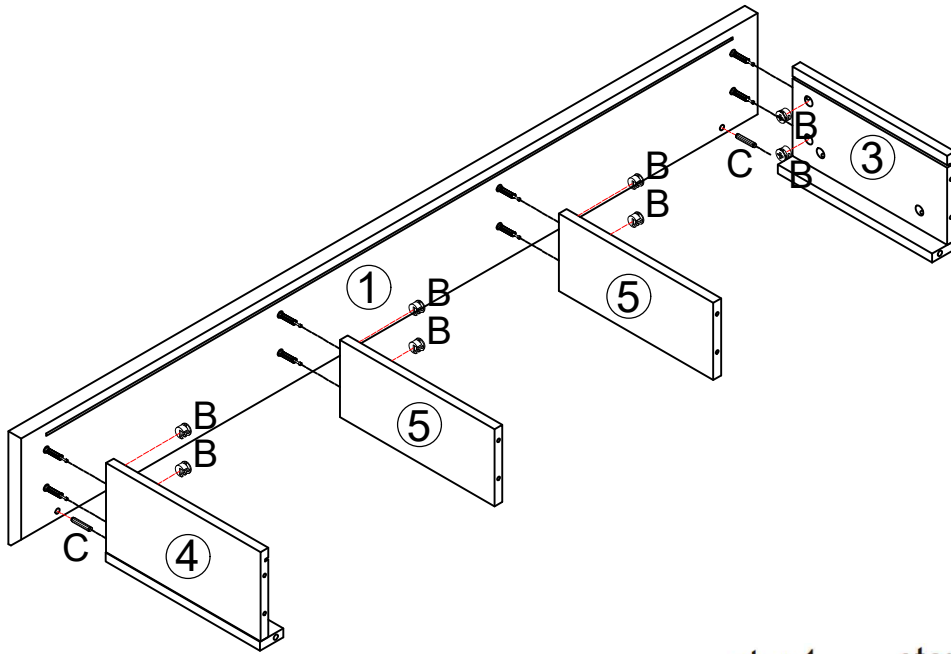


step3



Assembly Instructions

Step 3

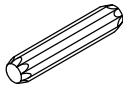


(B)



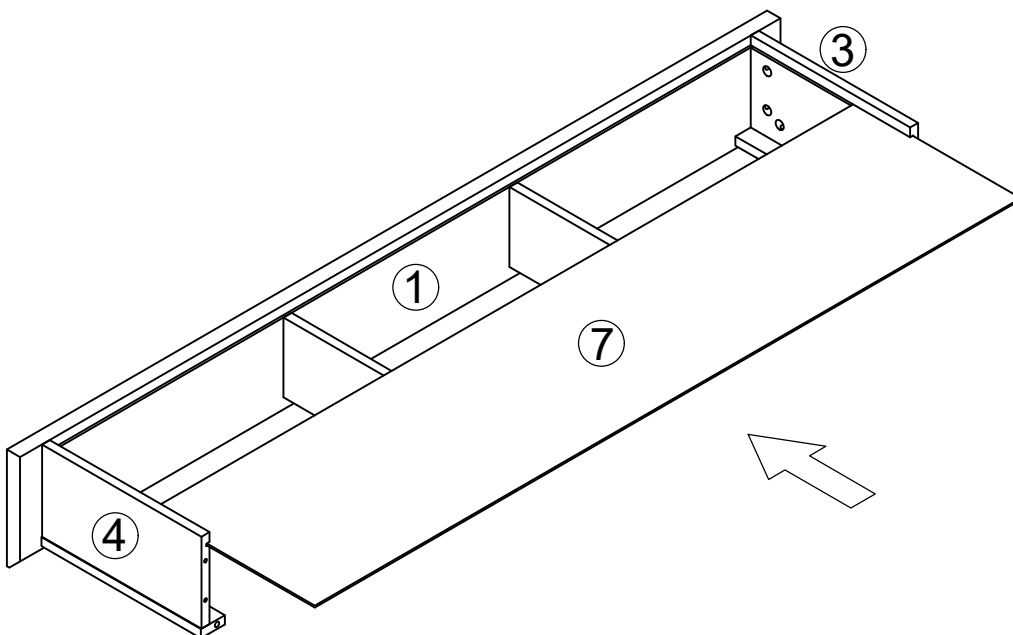
Cam lock x 8

(C)



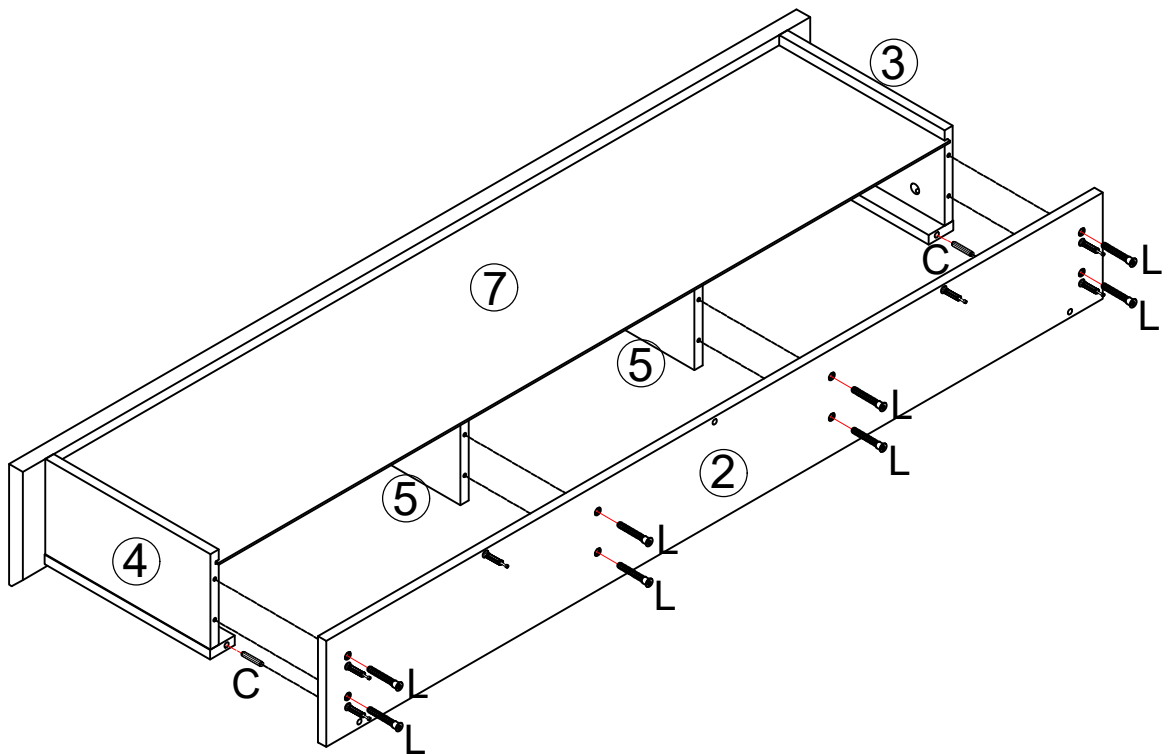
Dowel x 2

Step 4

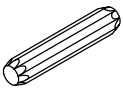


Assembly Instructions

Step 5



Ⓒ



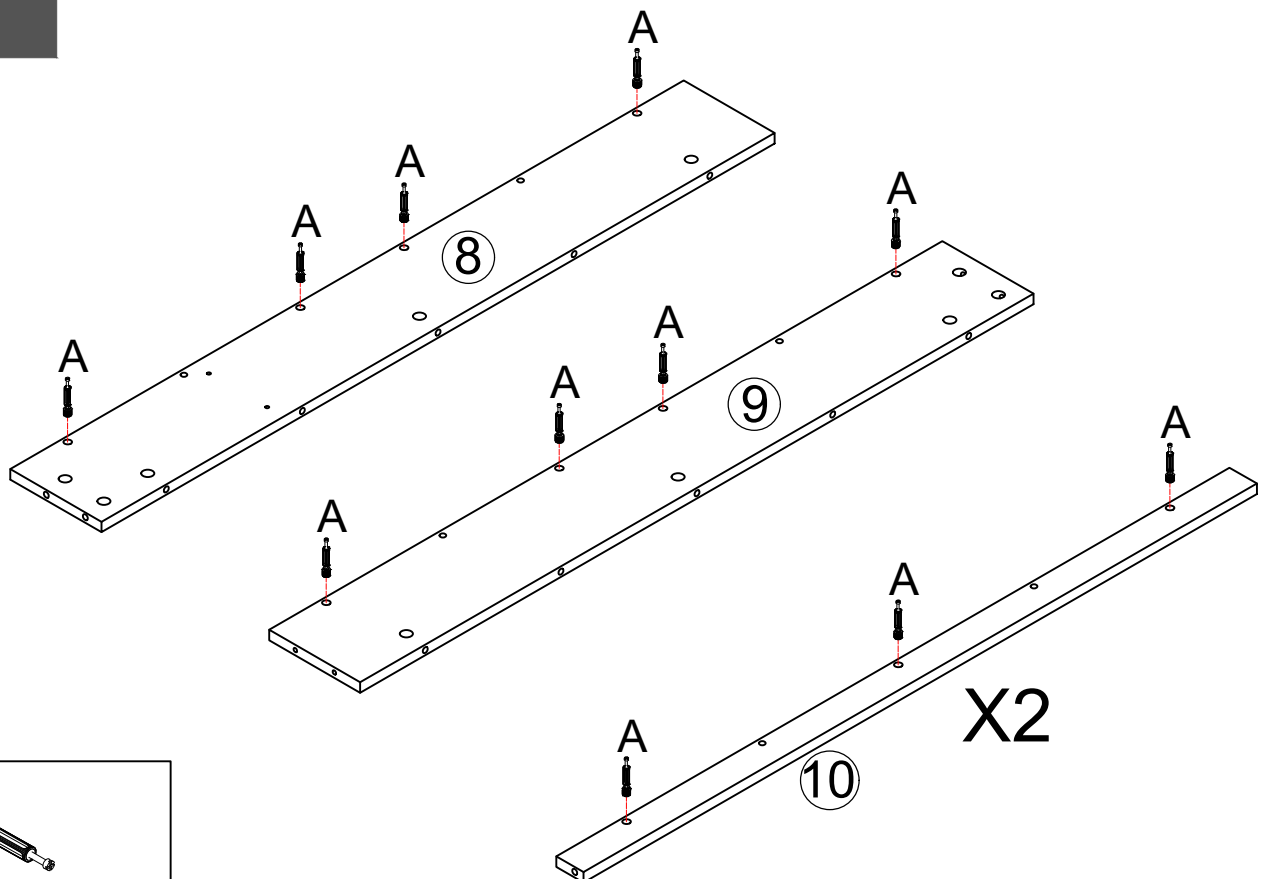
Dowel x 2

Ⓕ

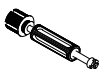


7*50mm Screw x 8

Step 6



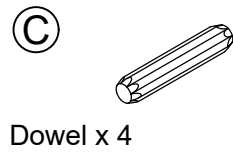
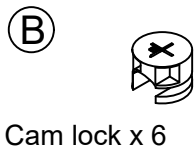
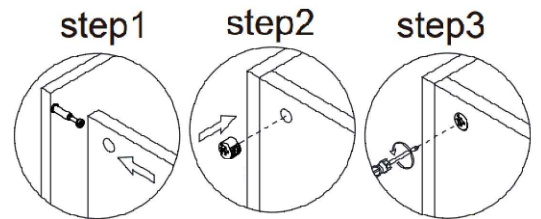
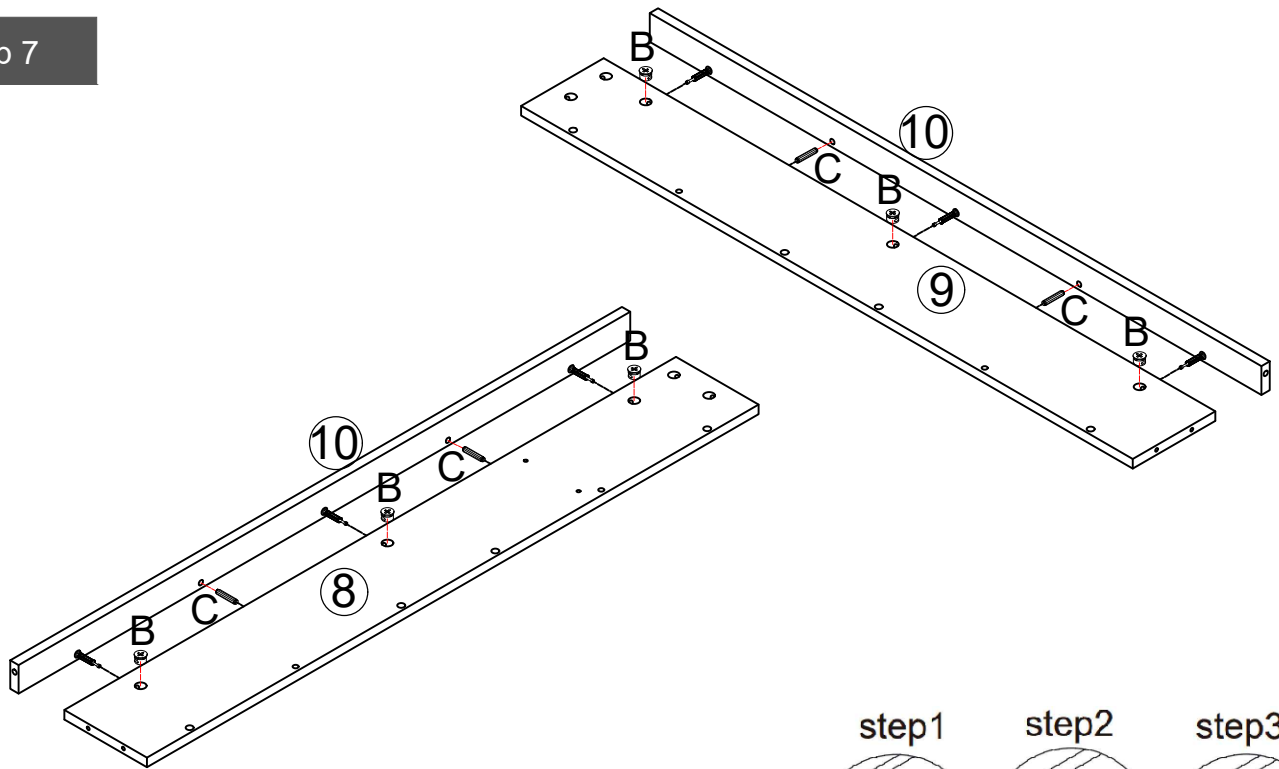
Ⓐ



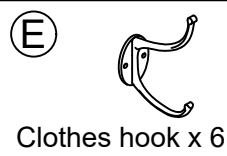
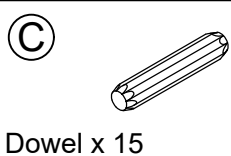
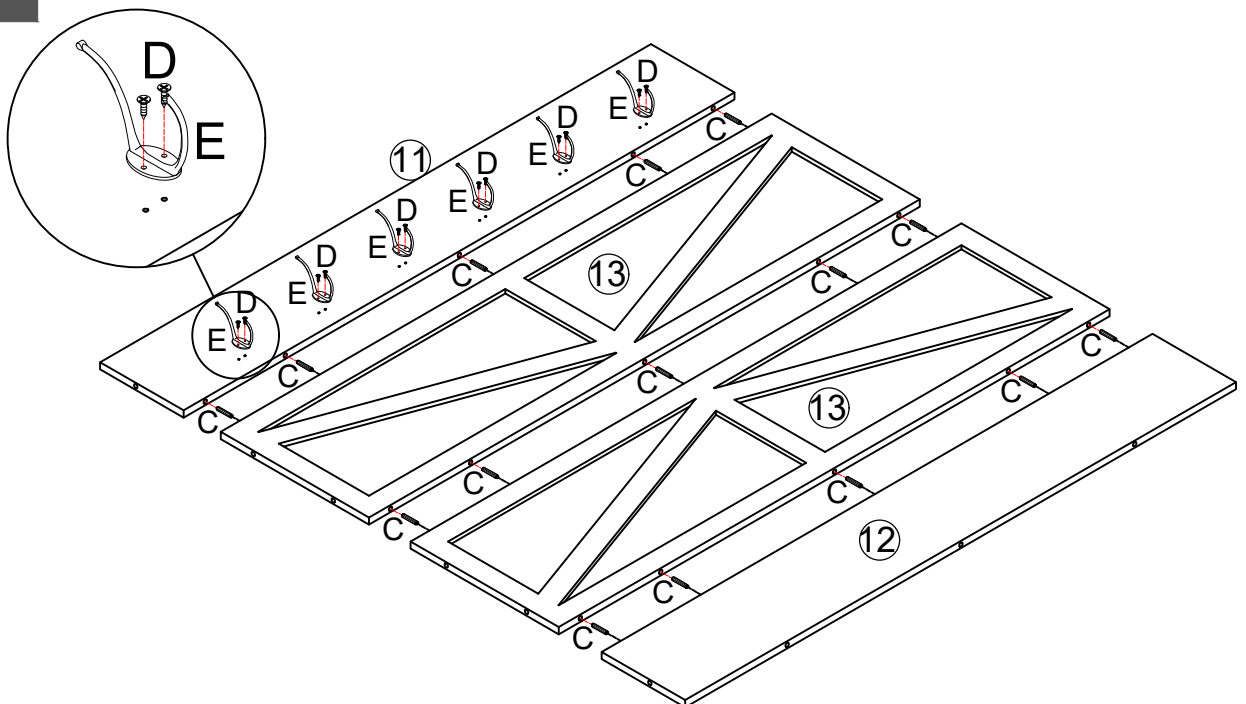
Cam Bolt x 14

Assembly Instructions

Step 7

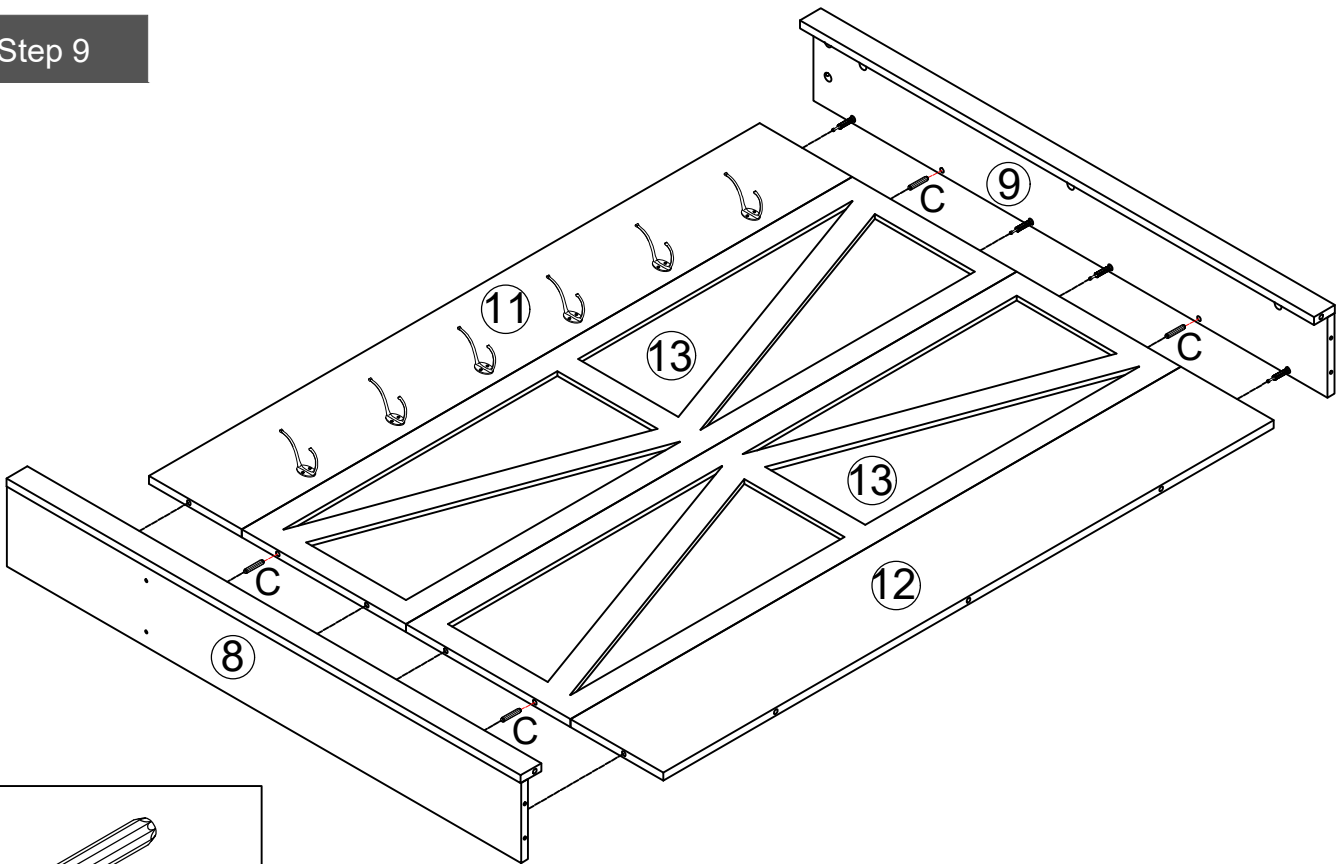


Step 8

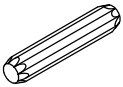


Assembly Instructions

Step 9

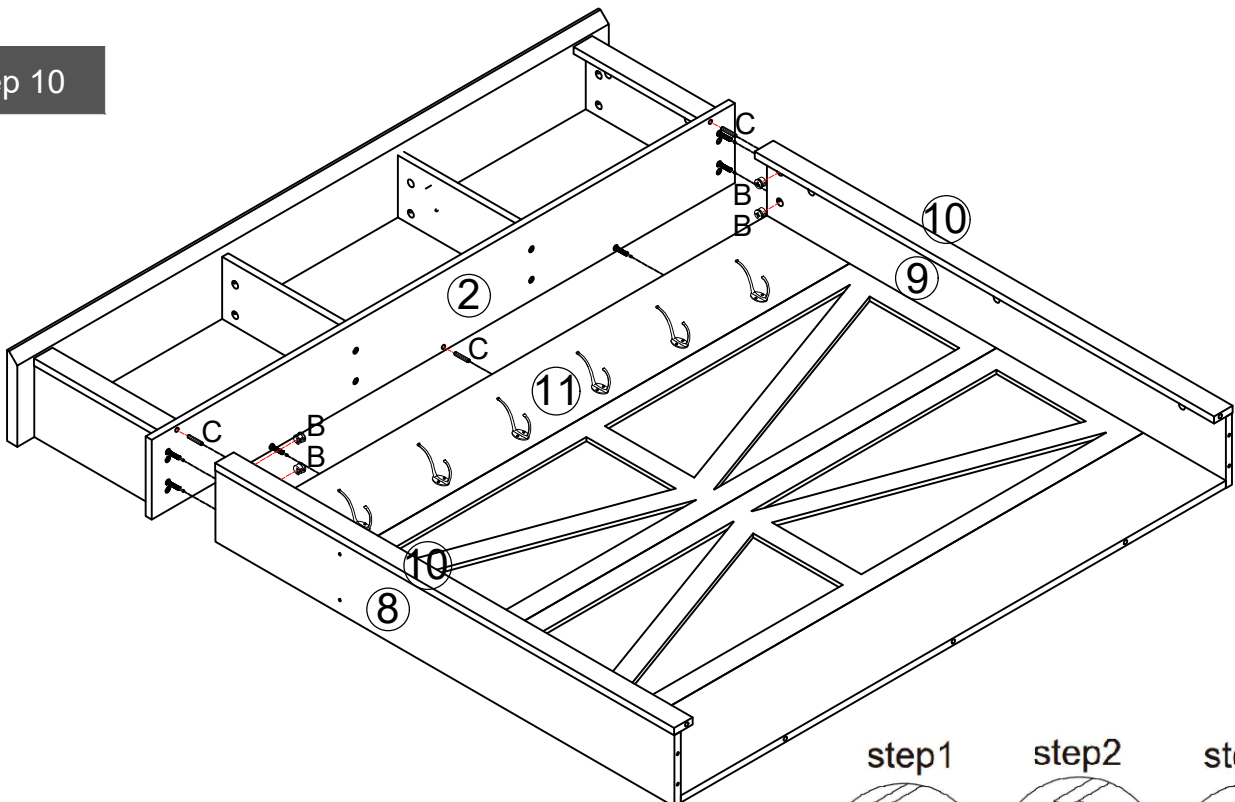


(C)



Dowel x 4

Step 10

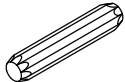


(B)



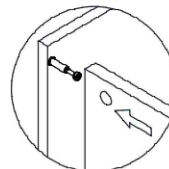
Cam lock x 4

(C)

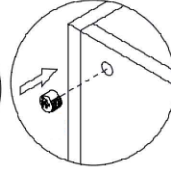


Dowel x 3

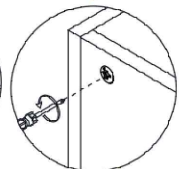
step1



step2

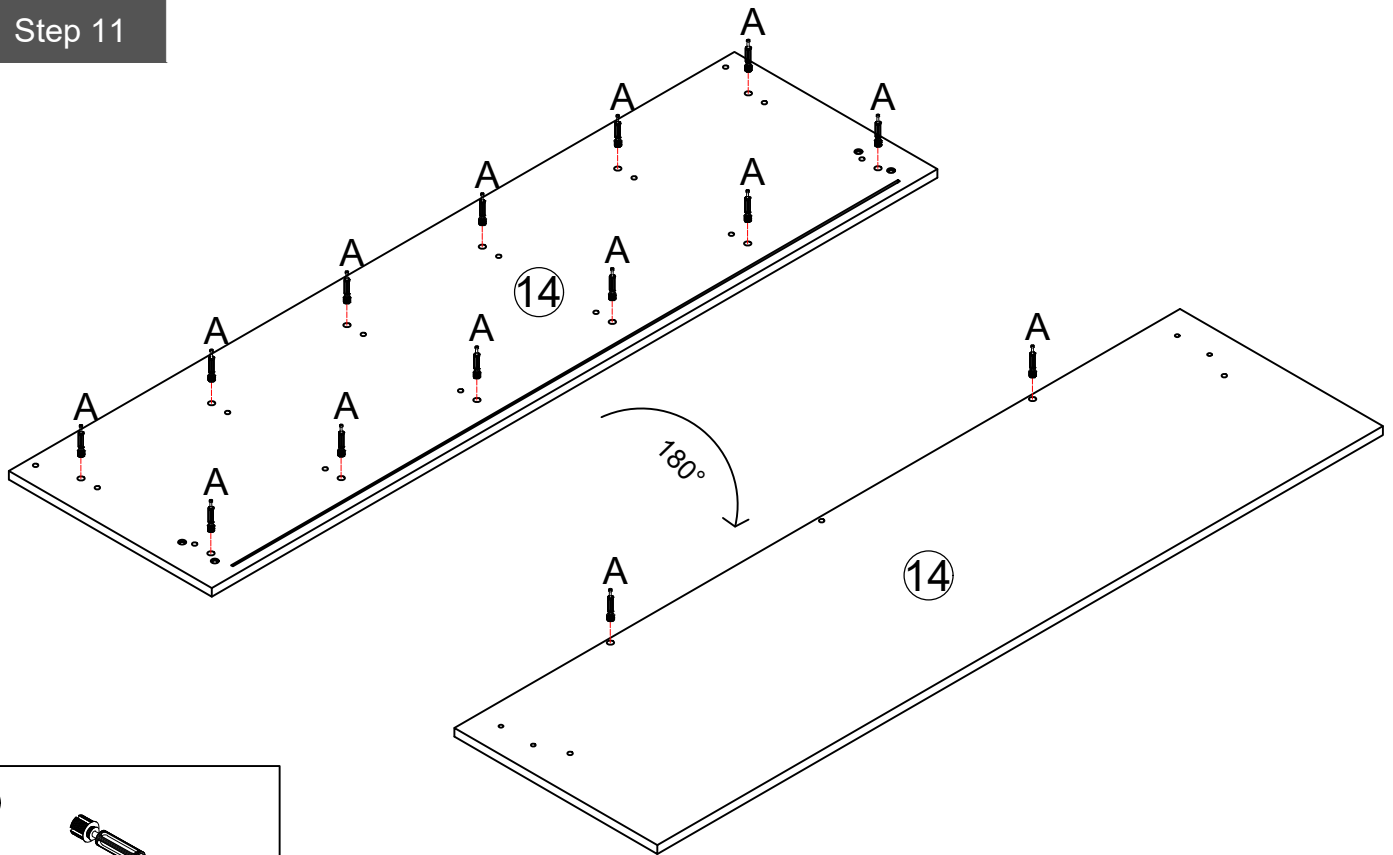


step3



Assembly Instructions

Step 11

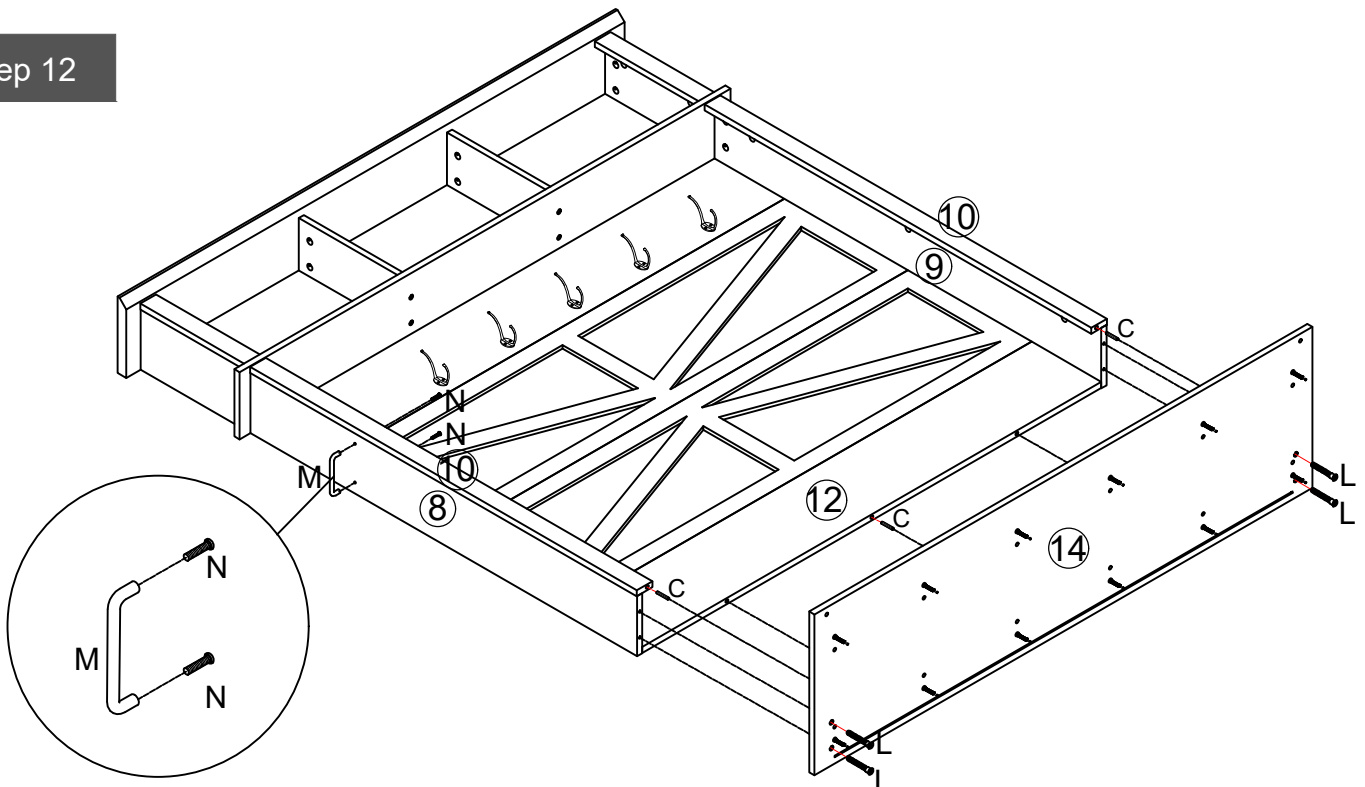


(A)

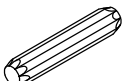


Cam Bolt x 14

Step 12



(C)



Dowel x 3

(L)



7*50mm Screw x 4

(M)



96mm Umbrella stand x 1

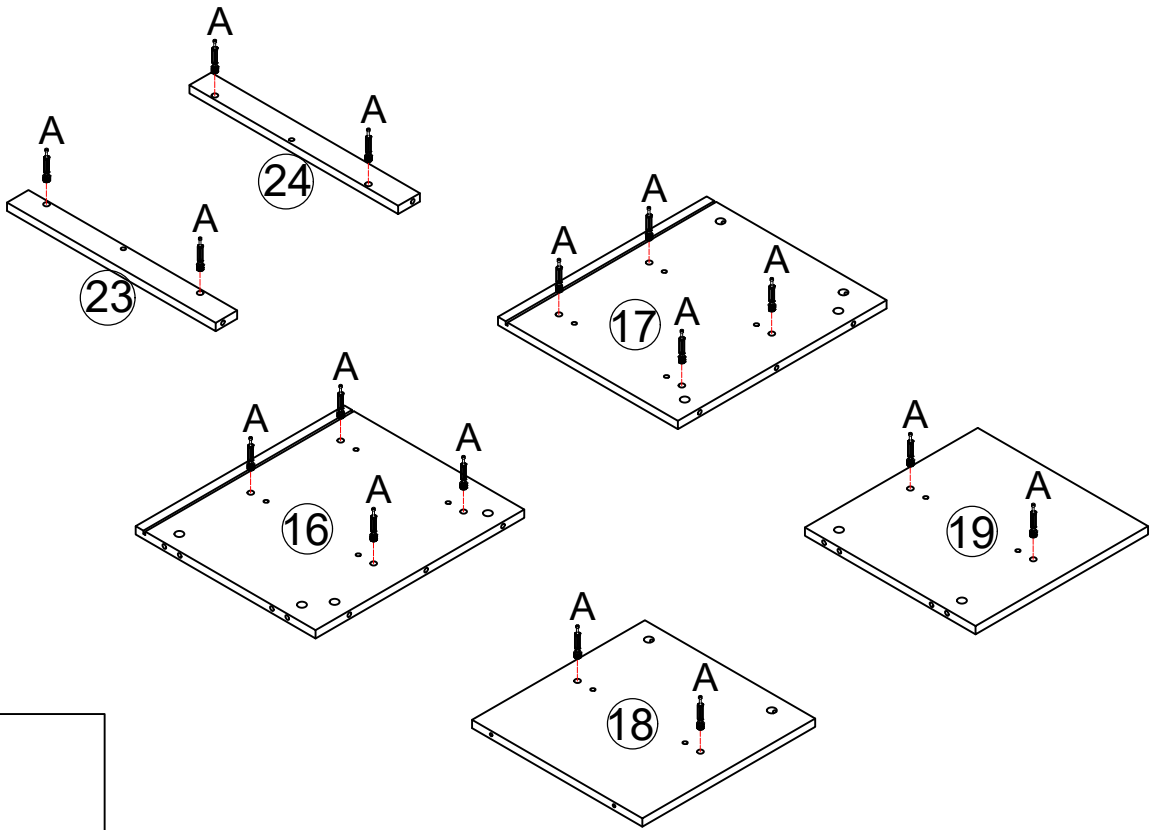
(N)



4*25mm Screw x 2

Assembly Instructions

Step 13

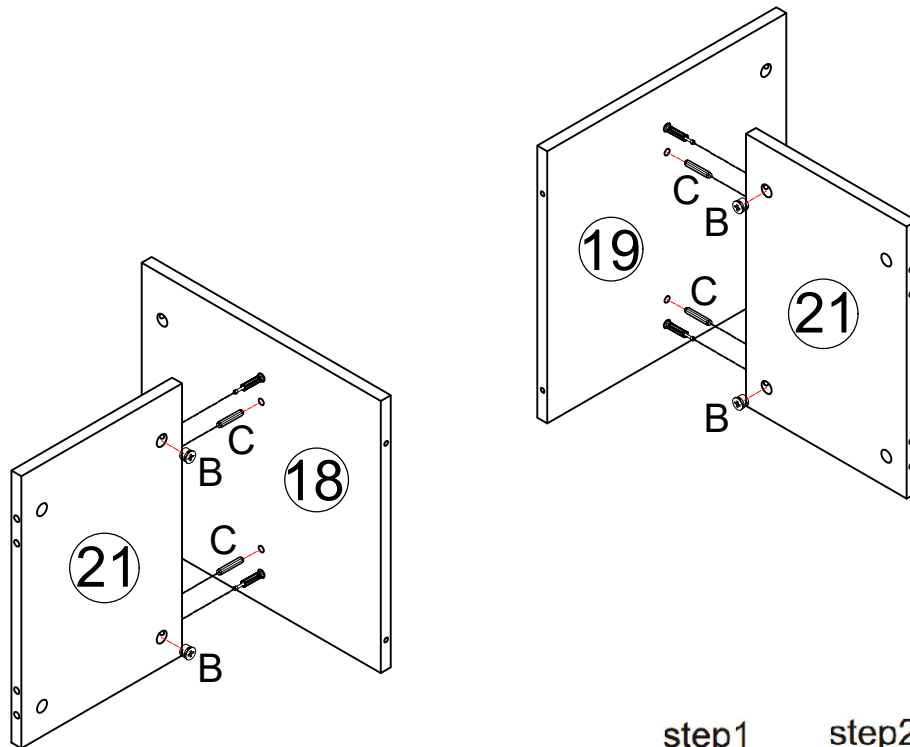


(A)



Cam Bolt x 16

Step 14

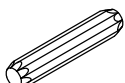


(B)



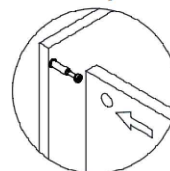
Cam lock x 4

(C)

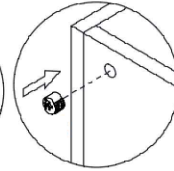


Dowel x 4

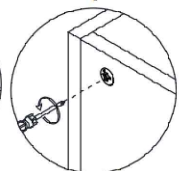
step1



step2

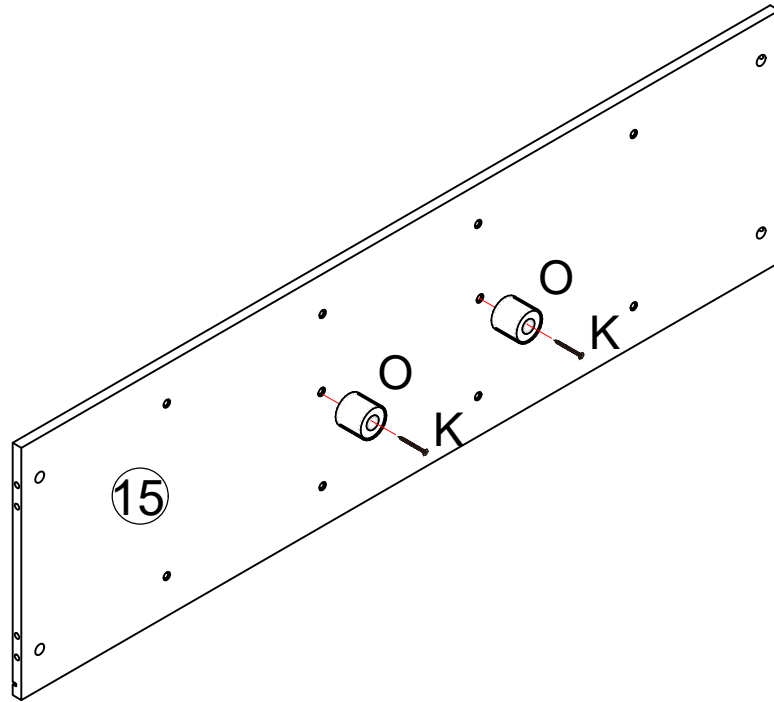


step3



Assembly Instructions

Step 15



(K)



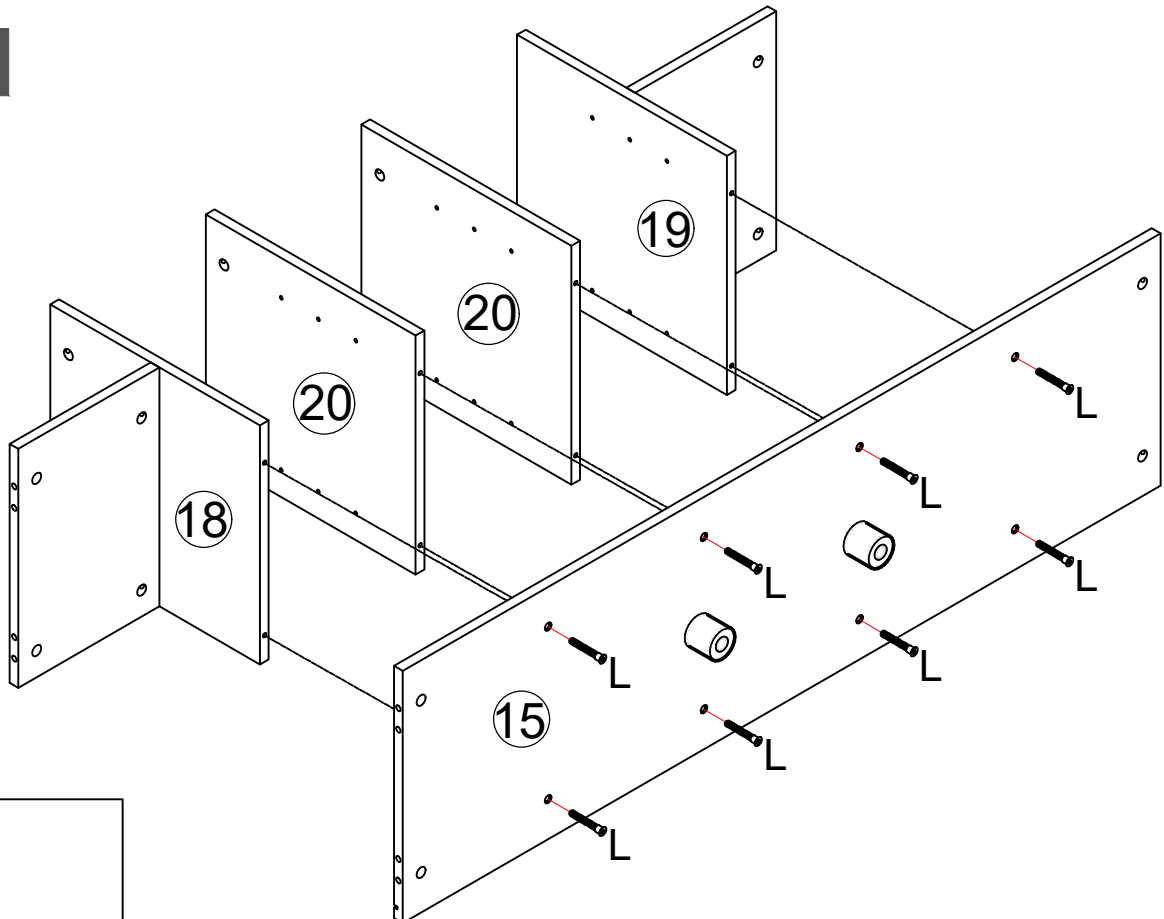
4*40mm Screw x 2

(O)



legs x 2

Step 16



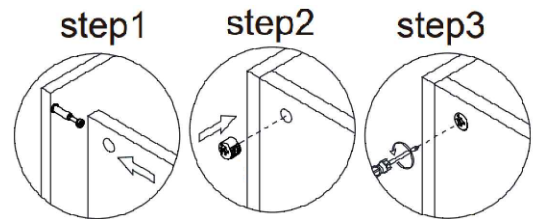
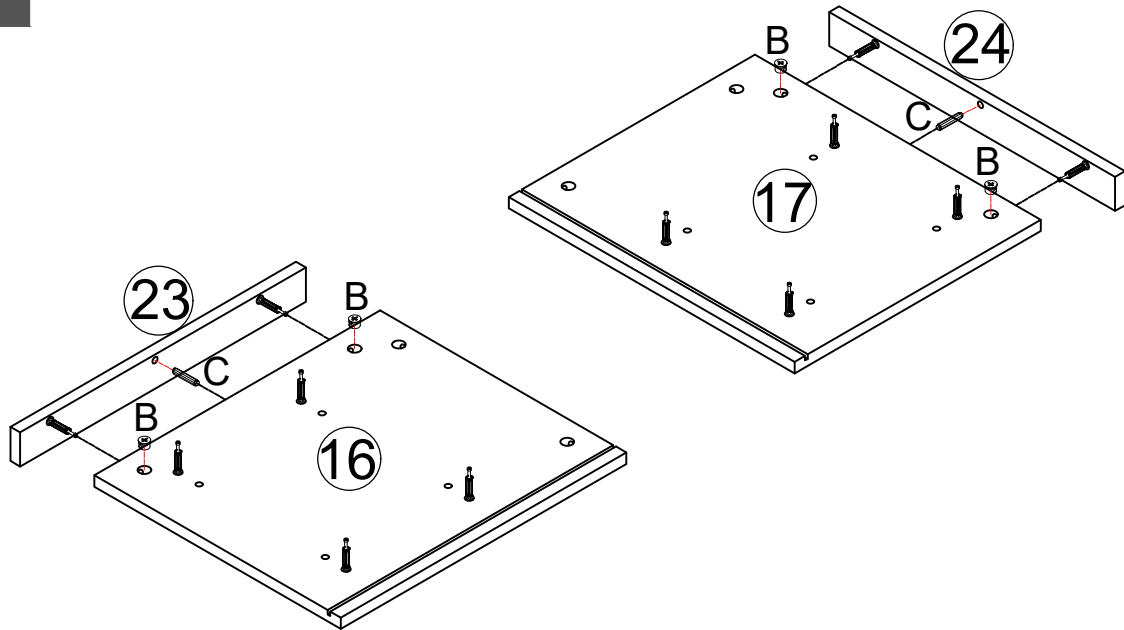
(L)



7*50mm Screw x 8

Assembly Instructions

Step 17

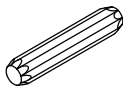


(B)



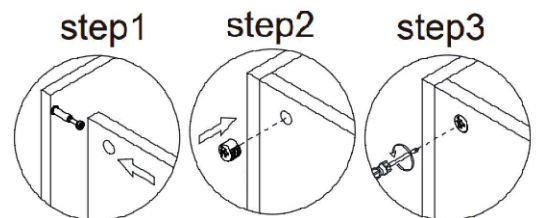
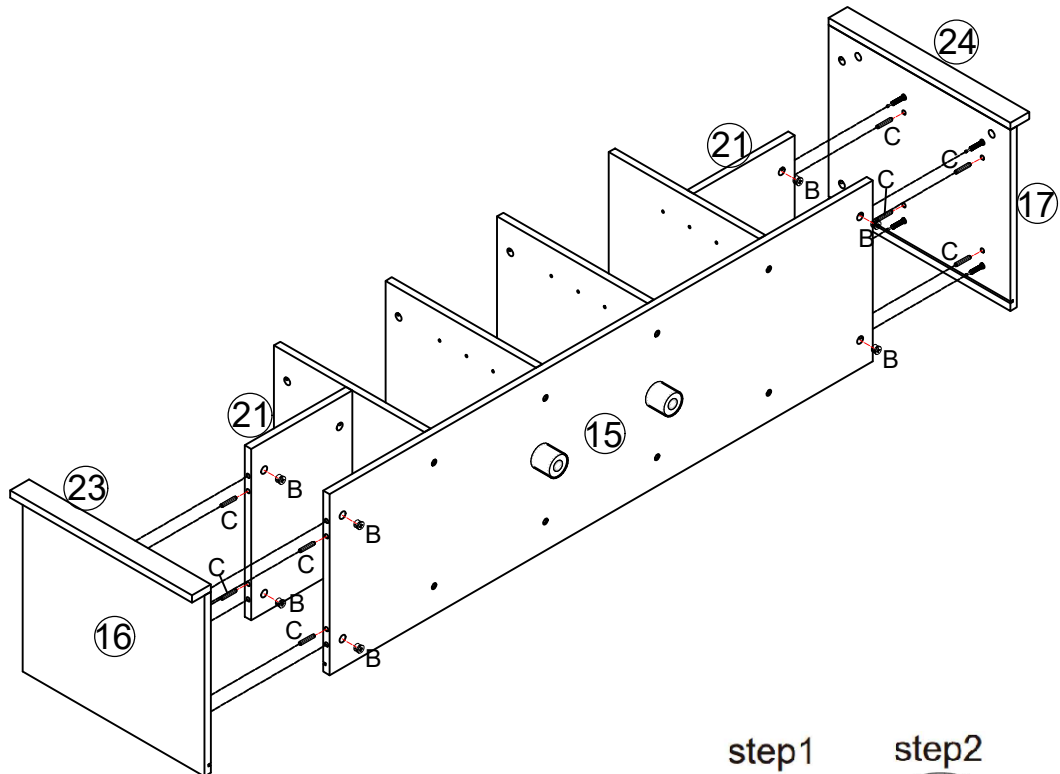
Cam lock x 4

(C)



Dowel x 2

Step 18

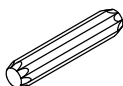


(B)



Cam lock x 8

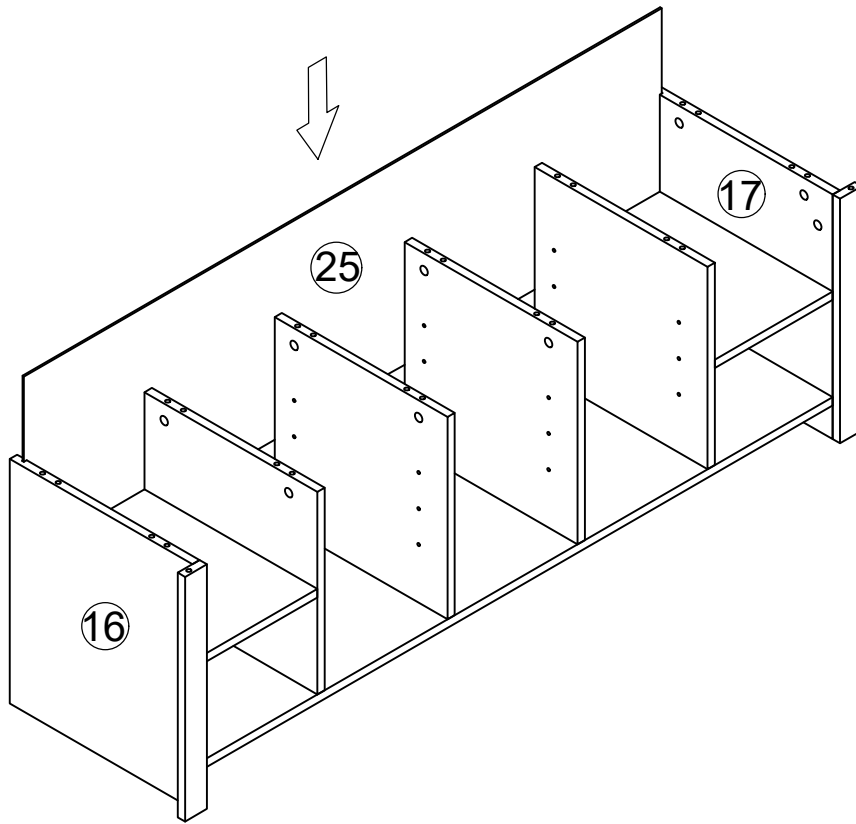
(C)



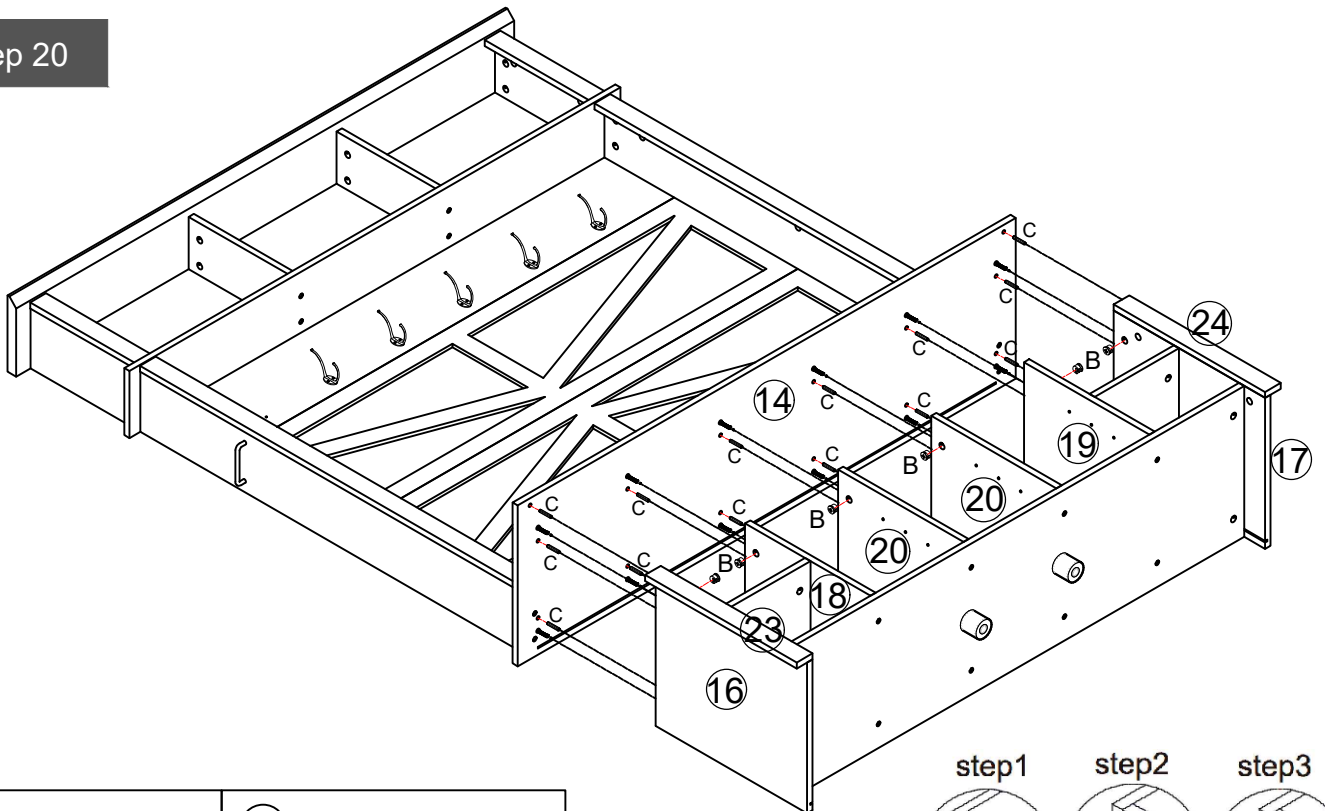
Dowel x 8

Assembly Instructions

Step 19



Step 20

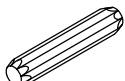


(B)



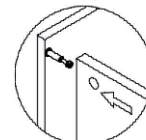
Cam lock x 12

(C)

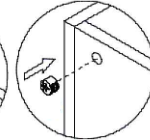


Dowel x 14

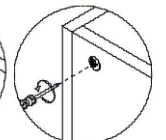
step1



step2



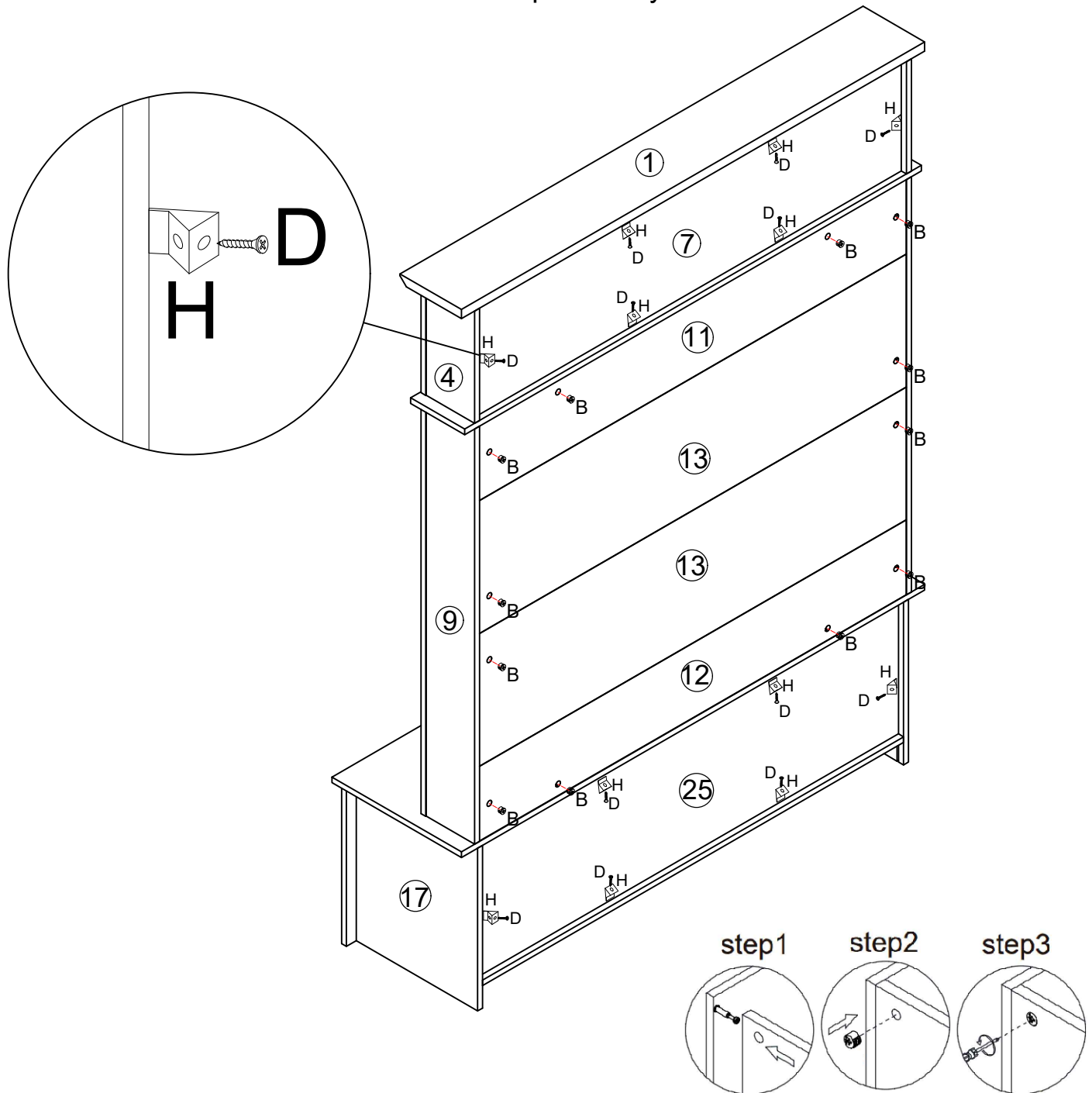
step3



Assembly Instructions

Step 21

This step requires two people to work together to flip.
Please flip carefully.



(B)



Cam lock x 12

(H)



Plastic buckle x 12

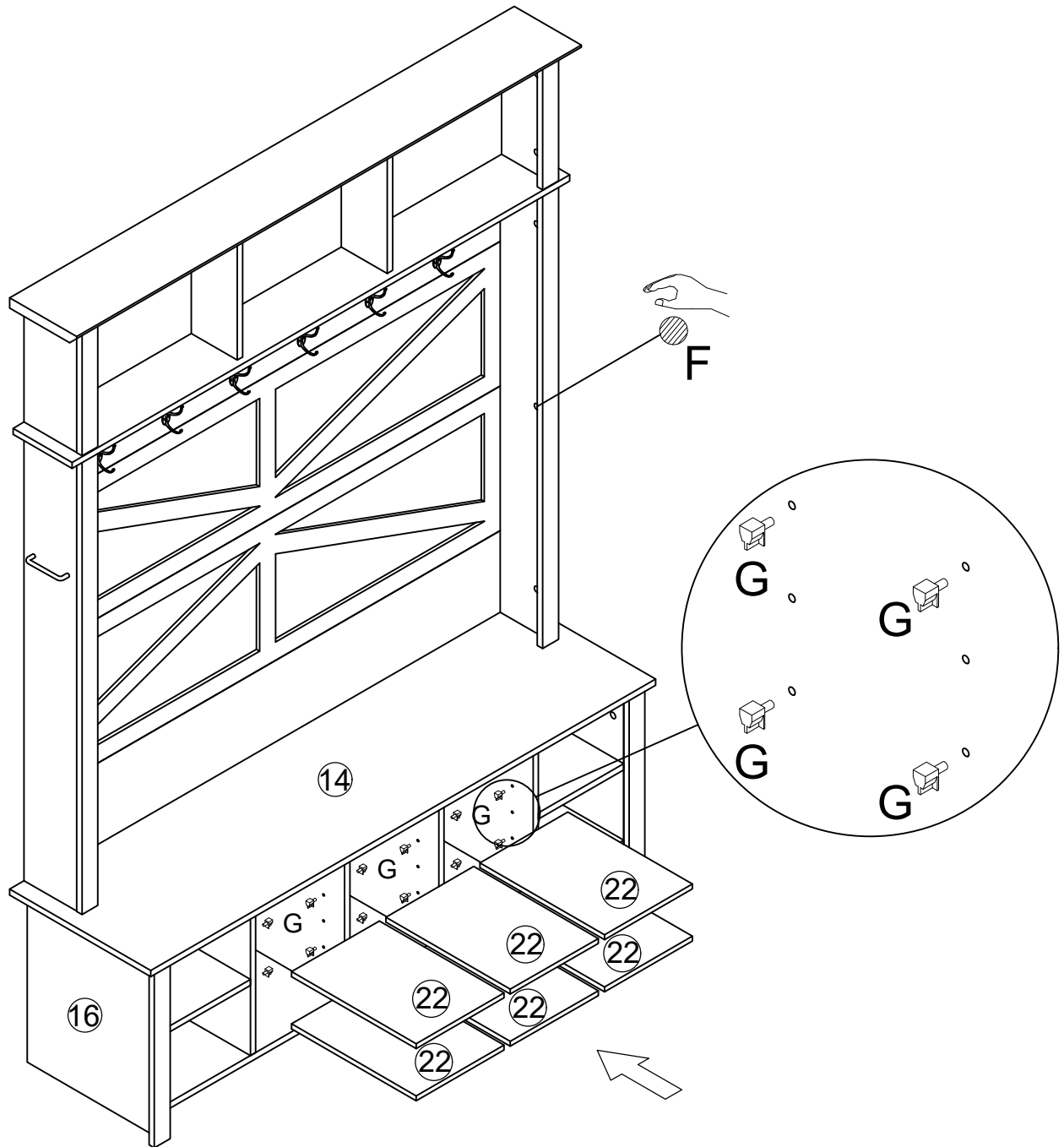
(D)



3.5*14mm Screw x 12

Assembly Instructions

Step 22



(F)



Sticker Cover x 42

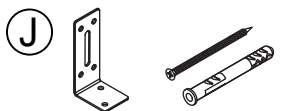
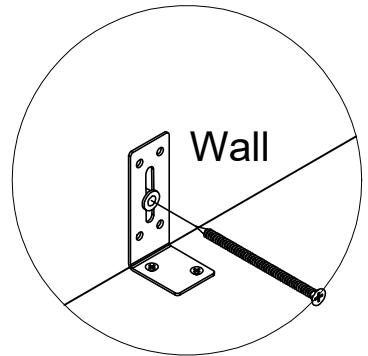
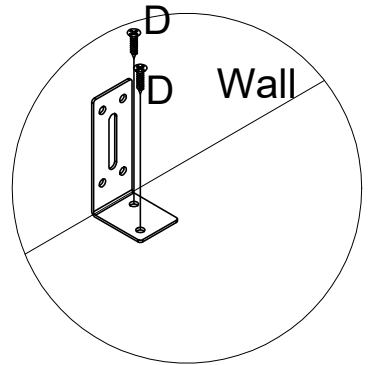
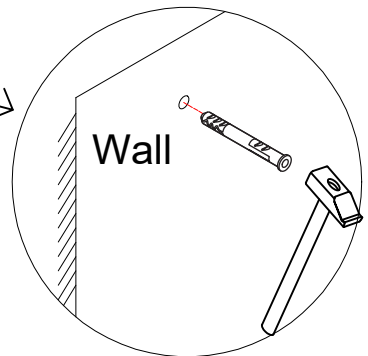
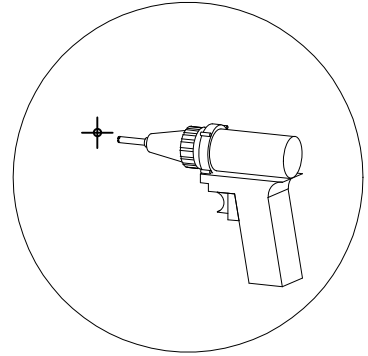
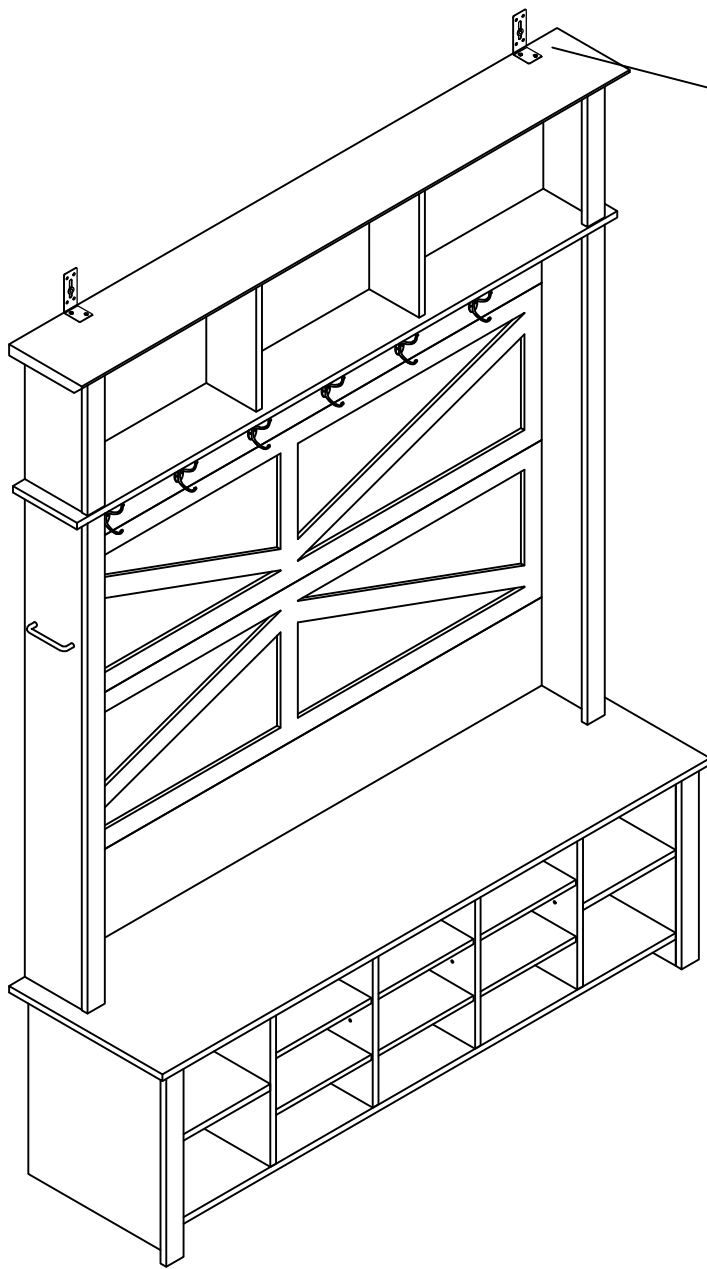
(G)



Movable partition bracket x 24

Assembly Instructions

Step 23



Anti-tipping device X 2



3.5*14mm Screw x 4

Assembly Instructions

