

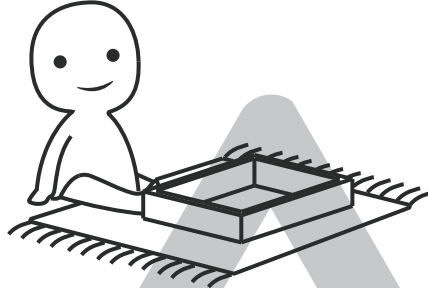
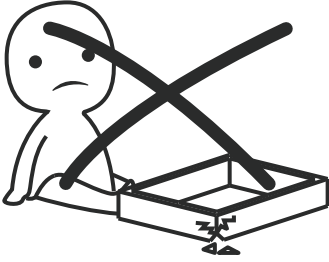
INSTALLATION

Product Manual



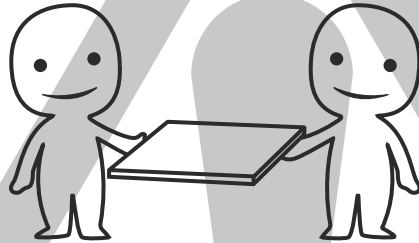
IMPORTANT INFORMATION!

please read the entire manual before starting to assemble and/or using this product. follow the manual thoroughly and keep it for further reference.



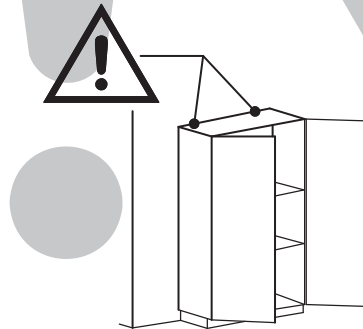
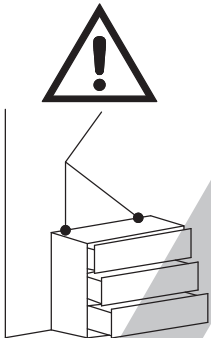
AVOID SCRATCHES!

In order to avoid scratching this furniture should be assembled on a soft layer- could be a rug.



IMPROVE EFFICIENCY !

Try to find a partner to install with you, which can speed up the installation efficiency and shorten the time.



ANTI-TOPPLE WARNING !

Overturned furniture can cause serious or fatal crush injuries. To prevent tipping over, be sure to use the wall attachment, if not included with this product. Please purchase the wall attachment that fit your wall. If unsure, seek professional advice. Please read and follow each step of the instructions carefully.

IMPORTANT !

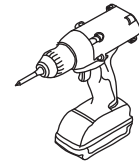
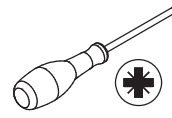
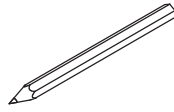
It is important that any product which is assembled using any kind of screw is re-tightened 2 weeks after assembly, and once every 3 months - in order to assure stability through-out the lifespan of the product.

For regular maintenance and cleaning of the product, for the frame, please use a rag dipped in neutral detergent to fully wipe it, and then dry it with a clean rag. For glass materials, wipe with a rag dampened with water glass cleaner, and then dry with a dry rag.

Do not use an electric screwdriver, and do not use too much force when installing, because the board is easy to break.

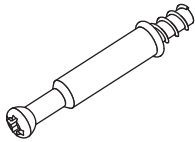


Please prepare the following tools



When installing, please carefully confirm whether each screw corresponds to the manual, accessories with similar shapes can be distinguished by size

A x 89



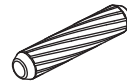
CRA0635A

B x 89



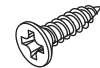
CRB1595A

C x 32



CRF0630A

D x 132



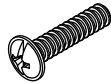
CRD3514A

E x 12



CRD3512A

F x 8



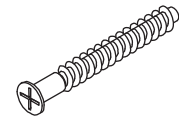
CRE0420A

G x 3



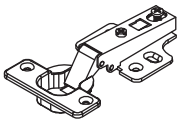
CRE0418A

H x 12



CRC0540A

J x 8



DGA861A

K x 8

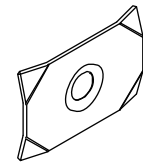


DGA861C

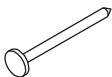
L x 11



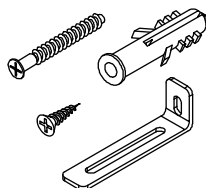
M x 14



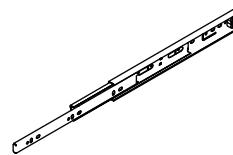
N x 42

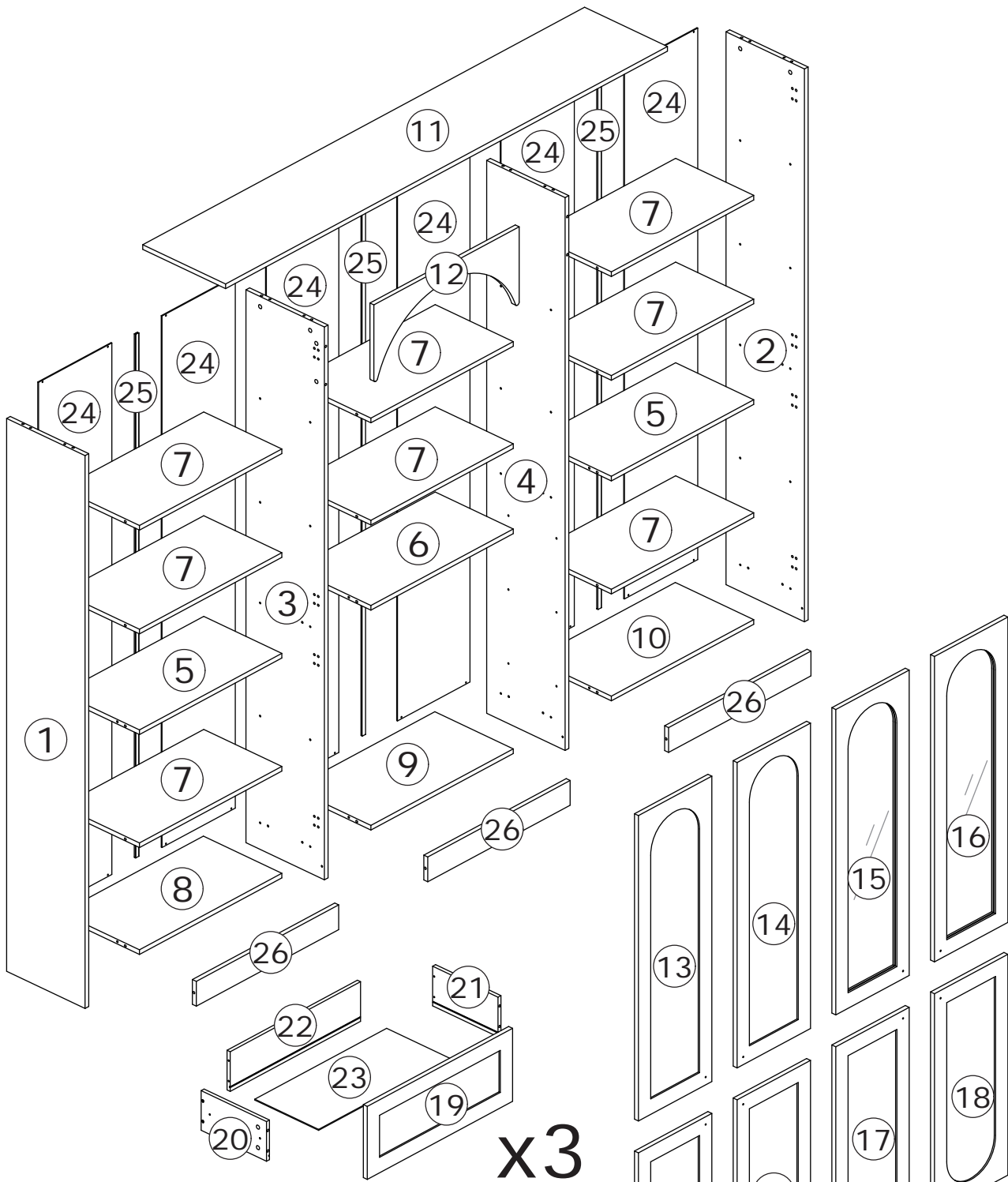


P x 3



Q x 6





⚠ WARNING

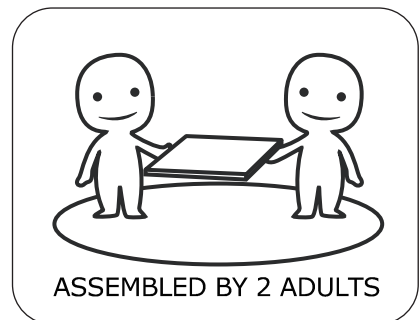


Children have died from furniture tipover. To reduce the risk of furniture tipover:

- ALWAYS install Anti-tip device provided.
- NEVER put a TV on this product.
- NEVER allow children to stand, climb or hang on drawers, doors, or shelves.
- NEVER open more than one drawer at a time.
- Place heaviest items in the lowest drawers.



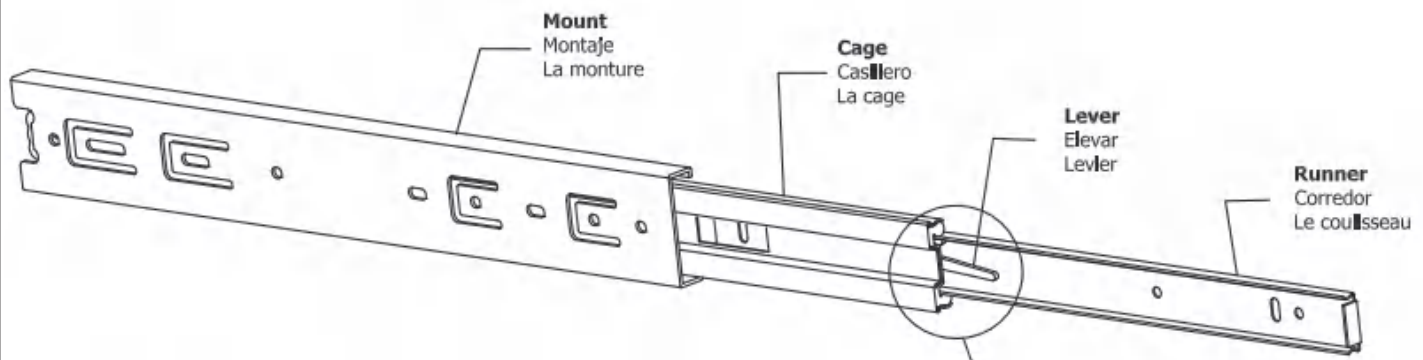
*This is a permanent label.
Do not remove!*



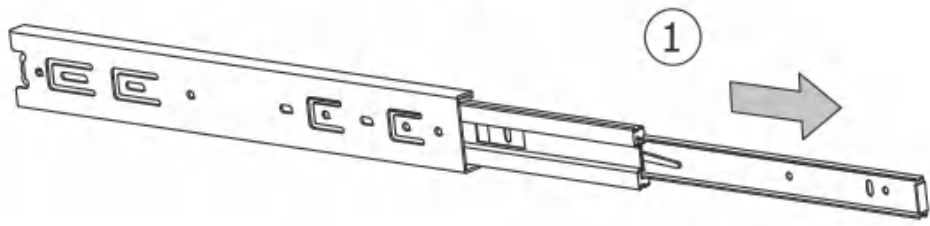
**Slides Must Be Separated Before Assembly.
After Separated, Set Aside Until Needed for Assembly.**

Las diapositivas deben separarse antes del montaje.
Después de la separación, déjelo a un lado hasta que sea necesario.

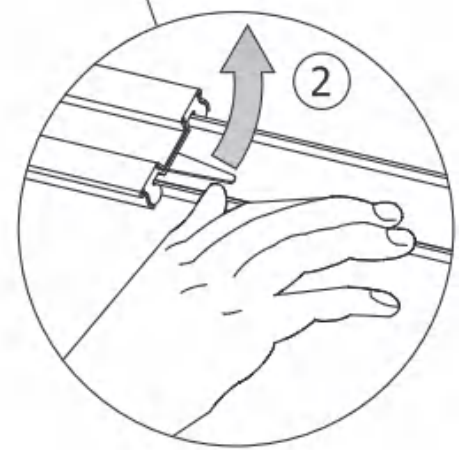
Les glissières doivent être séparées avant l'assemblage.
Après la séparation, mettez de côté jusqu'au moment de l'assemblage.



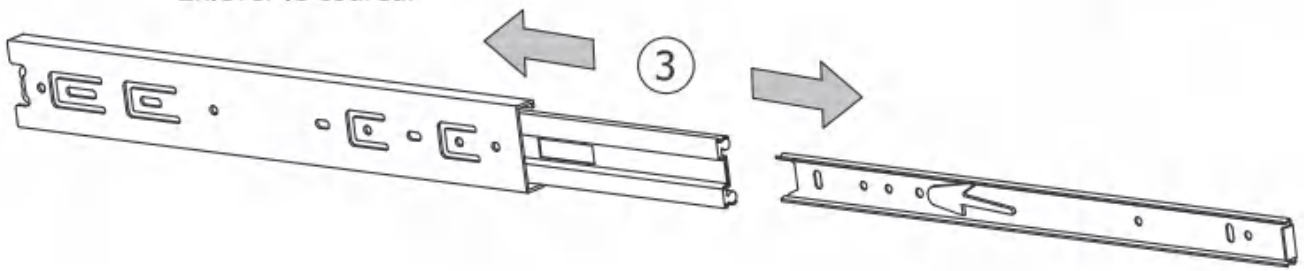
STEP 1: Extend Slide
Extender la diapositiva
Extendre la diapositive



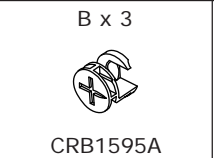
STEP 2: Push Lever UP
Empujar hacia arriba
Lever le levier



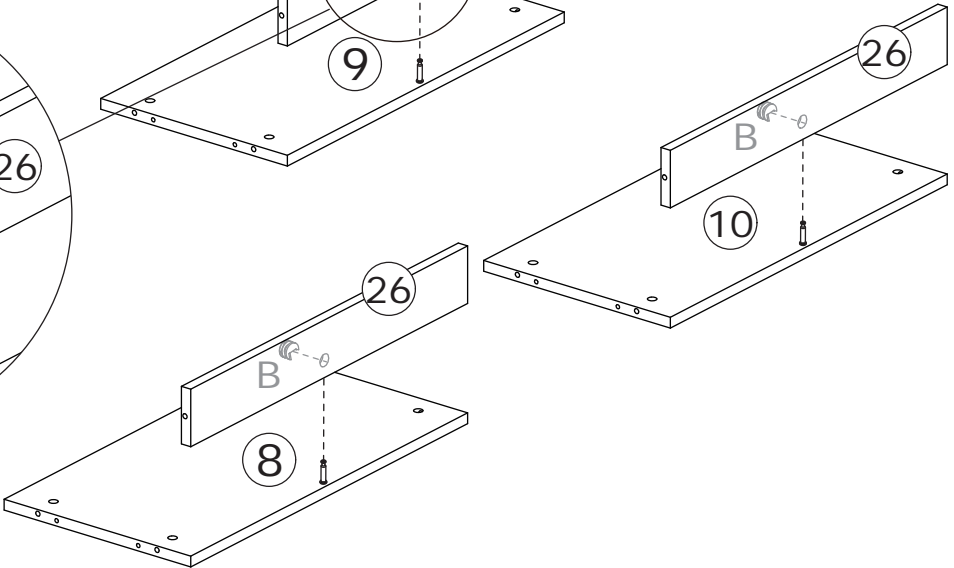
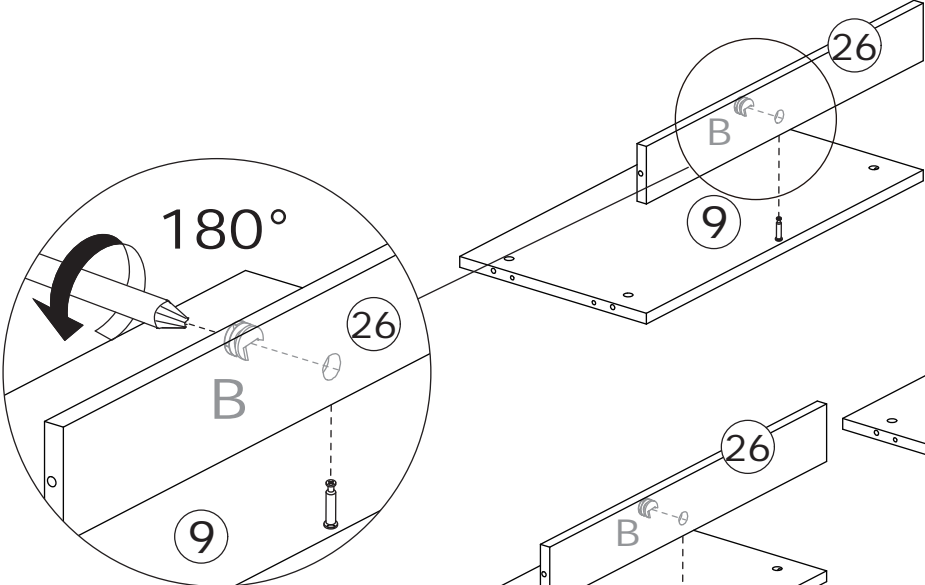
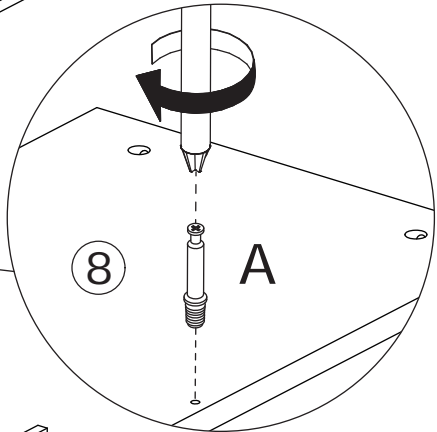
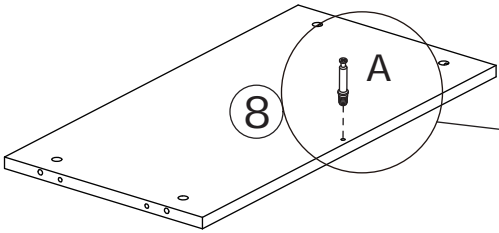
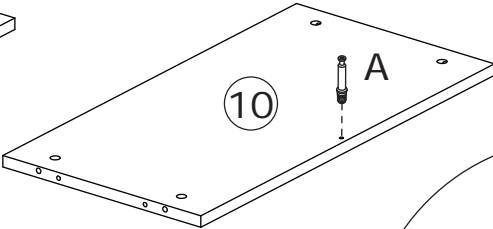
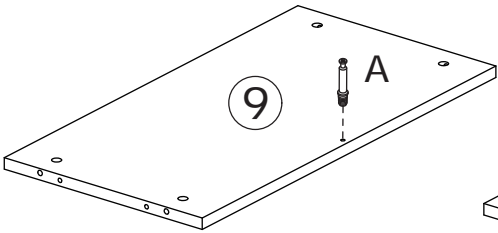
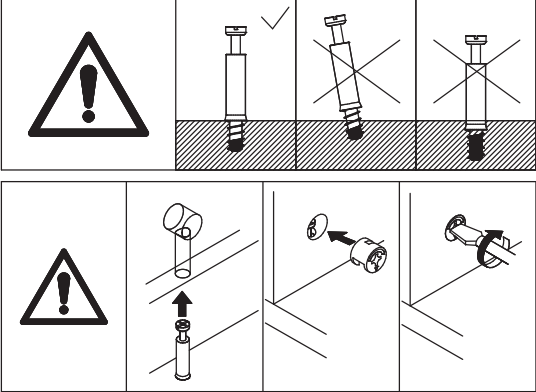
STEP 3: Remove Runner
Quitar el corredor
Enlever le coureur



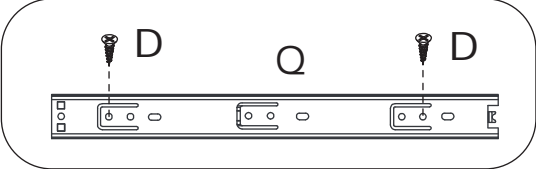
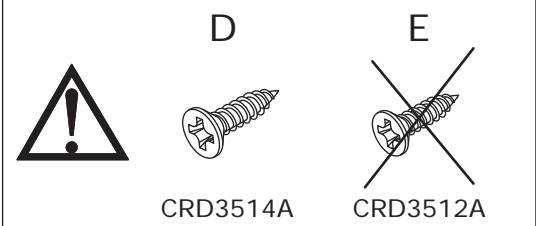
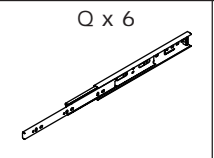
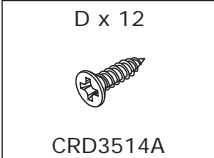
1



Screw eccentric rod(A) into panel 8, 9 and 10 at first.
Attach panel 26 to panel 8, 9 and 10 respectively, add cam lock(B) into panel 26 and turn clockwise to tighten as shown.

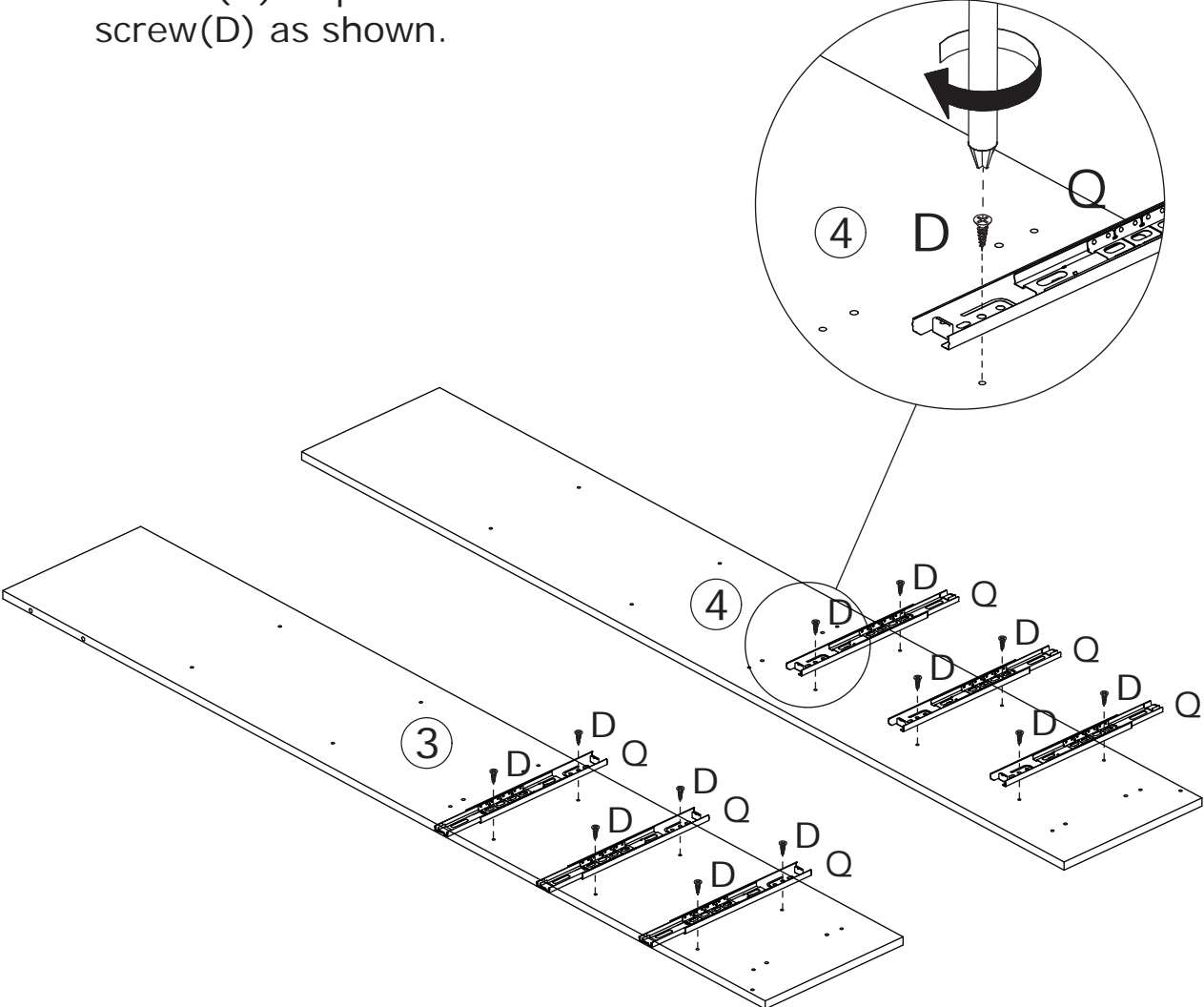


2

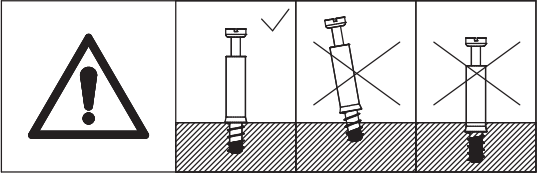
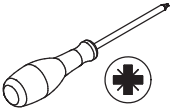


Separate slide(Q) into two parts at first.(Page 5)

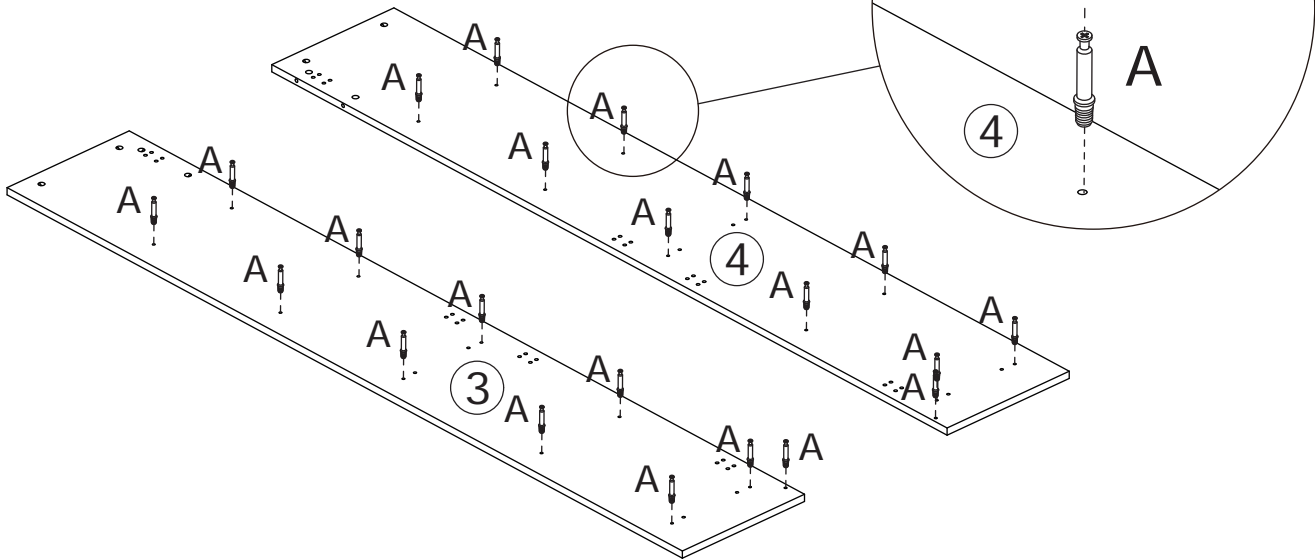
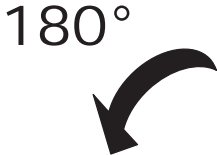
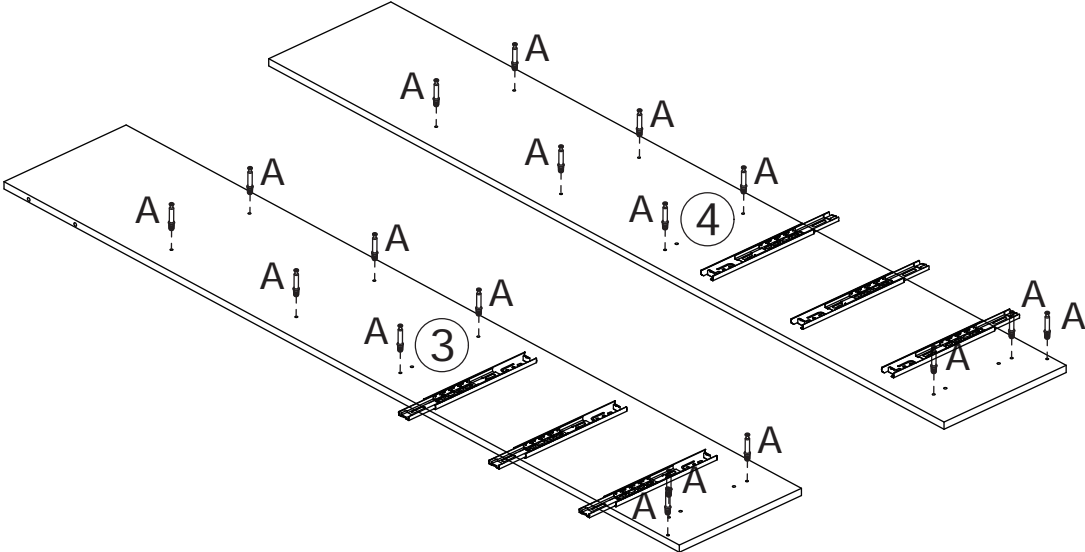
Fix rail(Q) to panel 3 and 4 with screw(D) as shown.



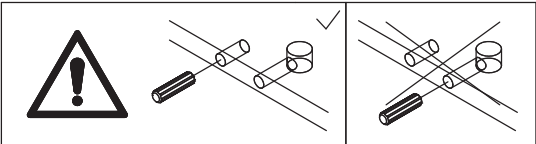
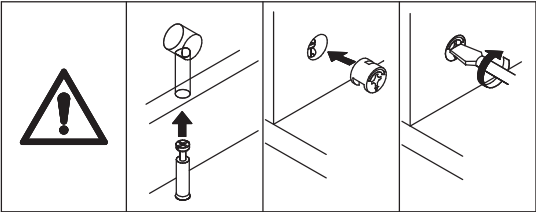
3



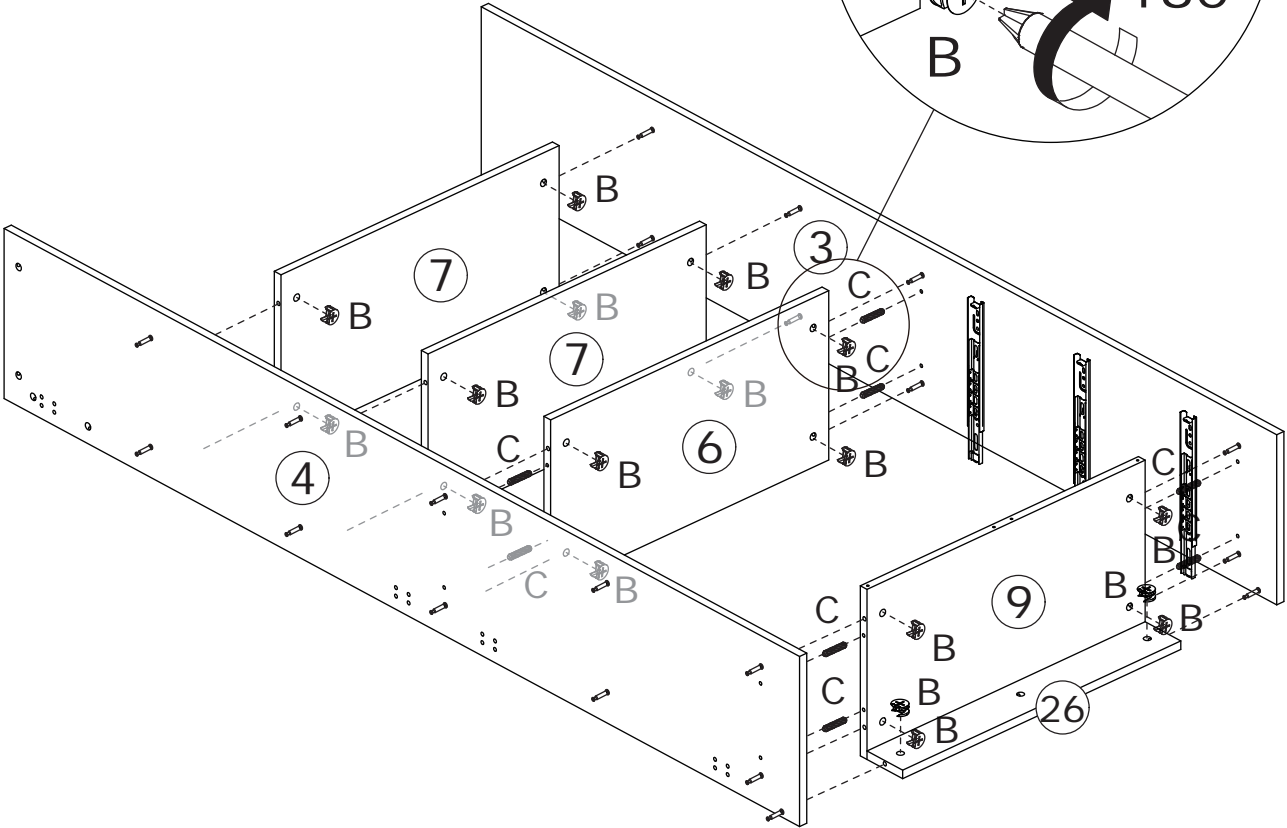
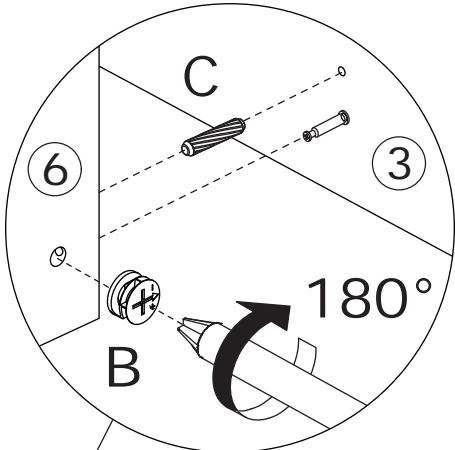
Screw eccentric rod(A) into panel 3 and 4 at first.
Flip to back, screw eccentric rod(A) into as well.



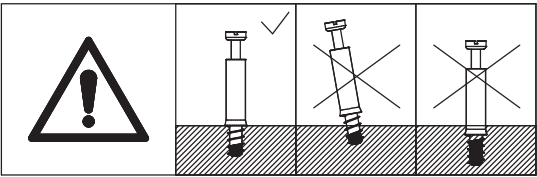
4



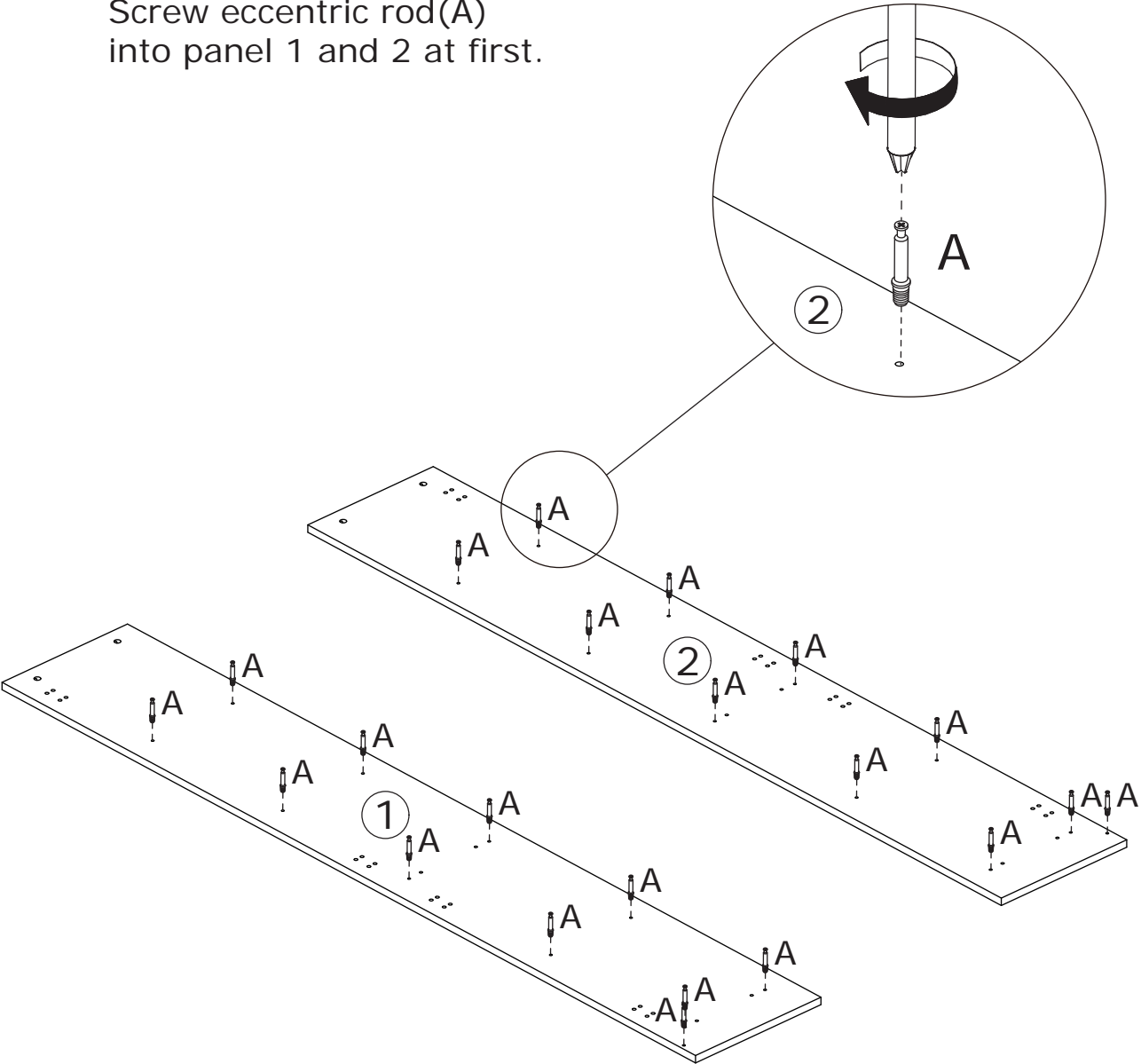
Connect panel 3 and 4 to panel 7, 6, 9 and 26 using wooden dowel(C), add cam lock(B) into panel 7,6,9,26 and turn clockwise to tighten as shown.



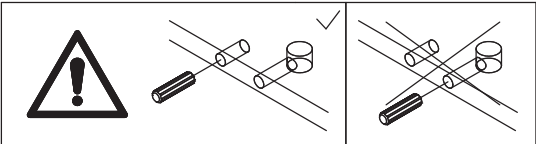
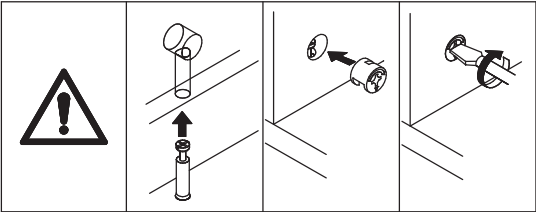
5



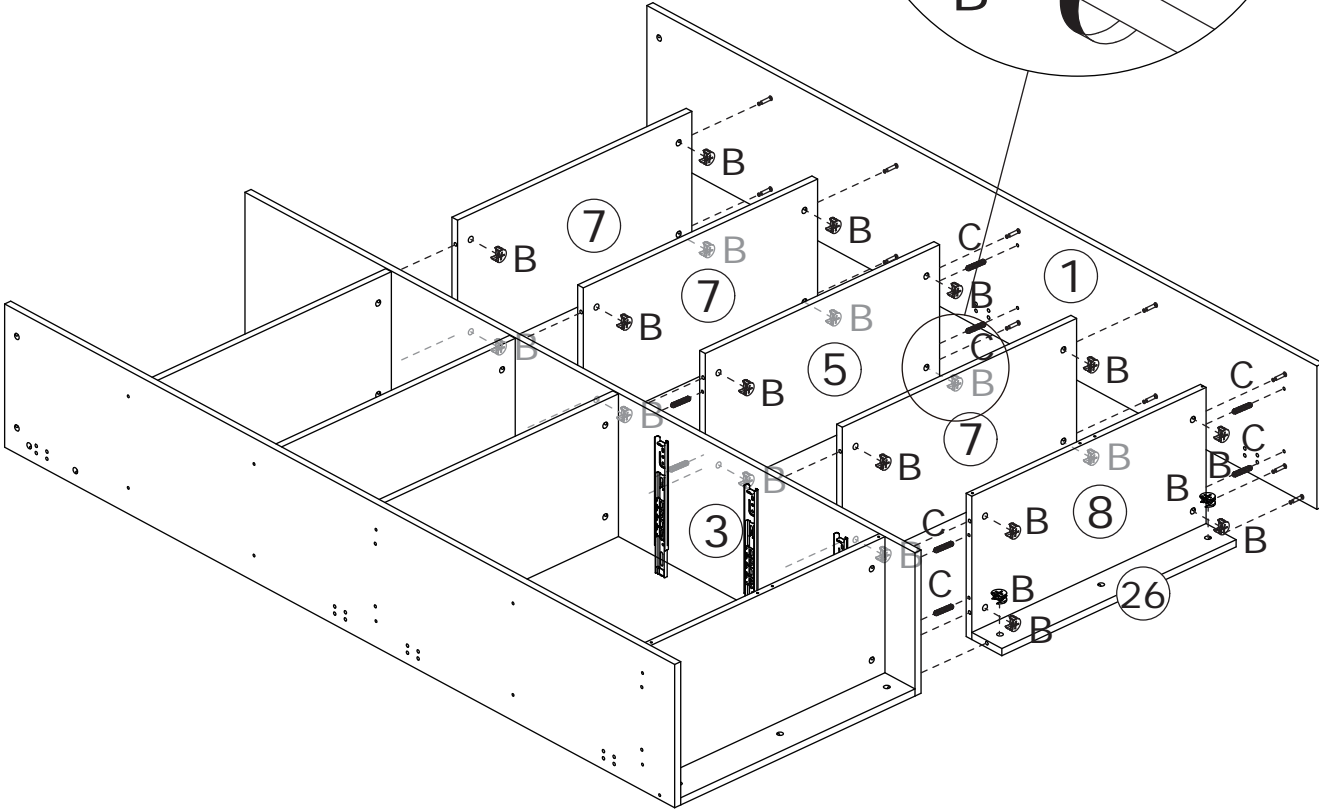
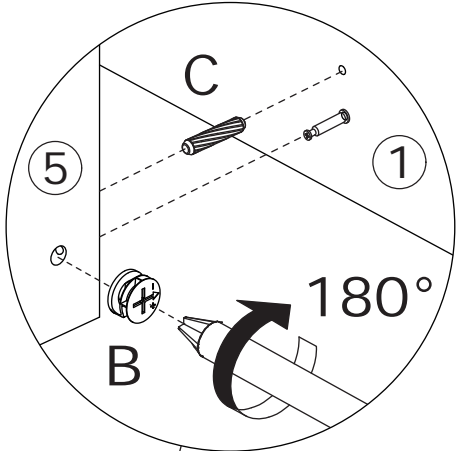
Screw eccentric rod(A)
into panel 1 and 2 at first.



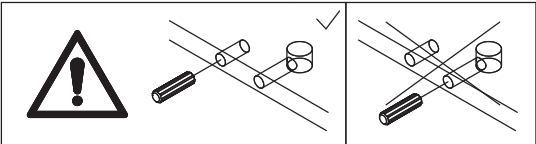
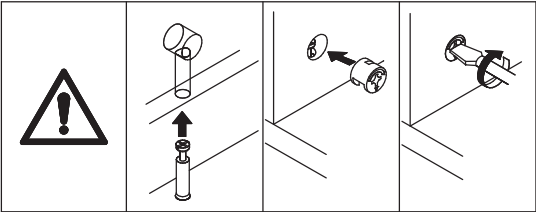
6



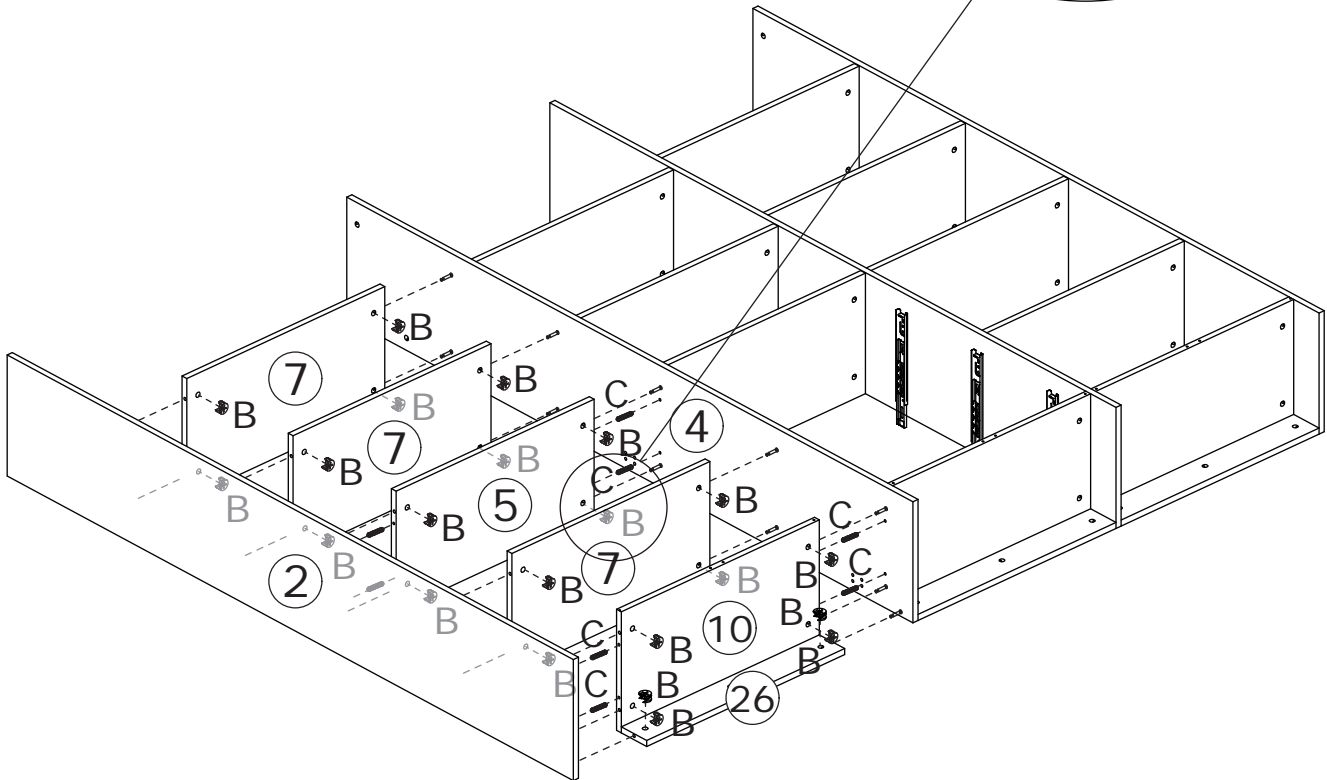
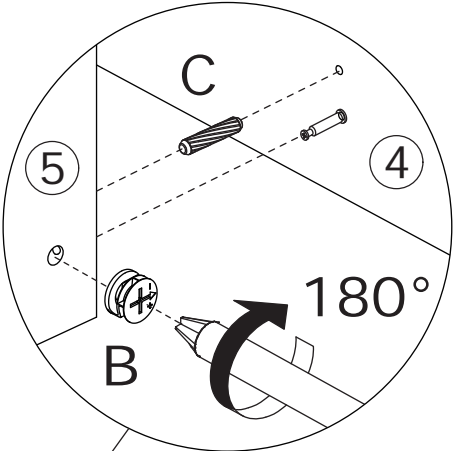
Connect panel 1 and 3 to panel 7, 5, 8 and 26 using wooden dowel(C), add cam lock(B) into panel 7,5,8,26 and turn clockwise to tighten as shown.



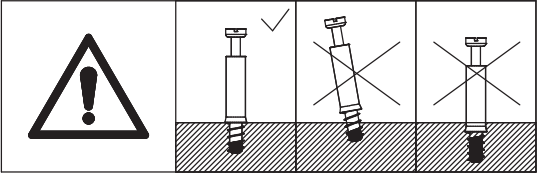
7



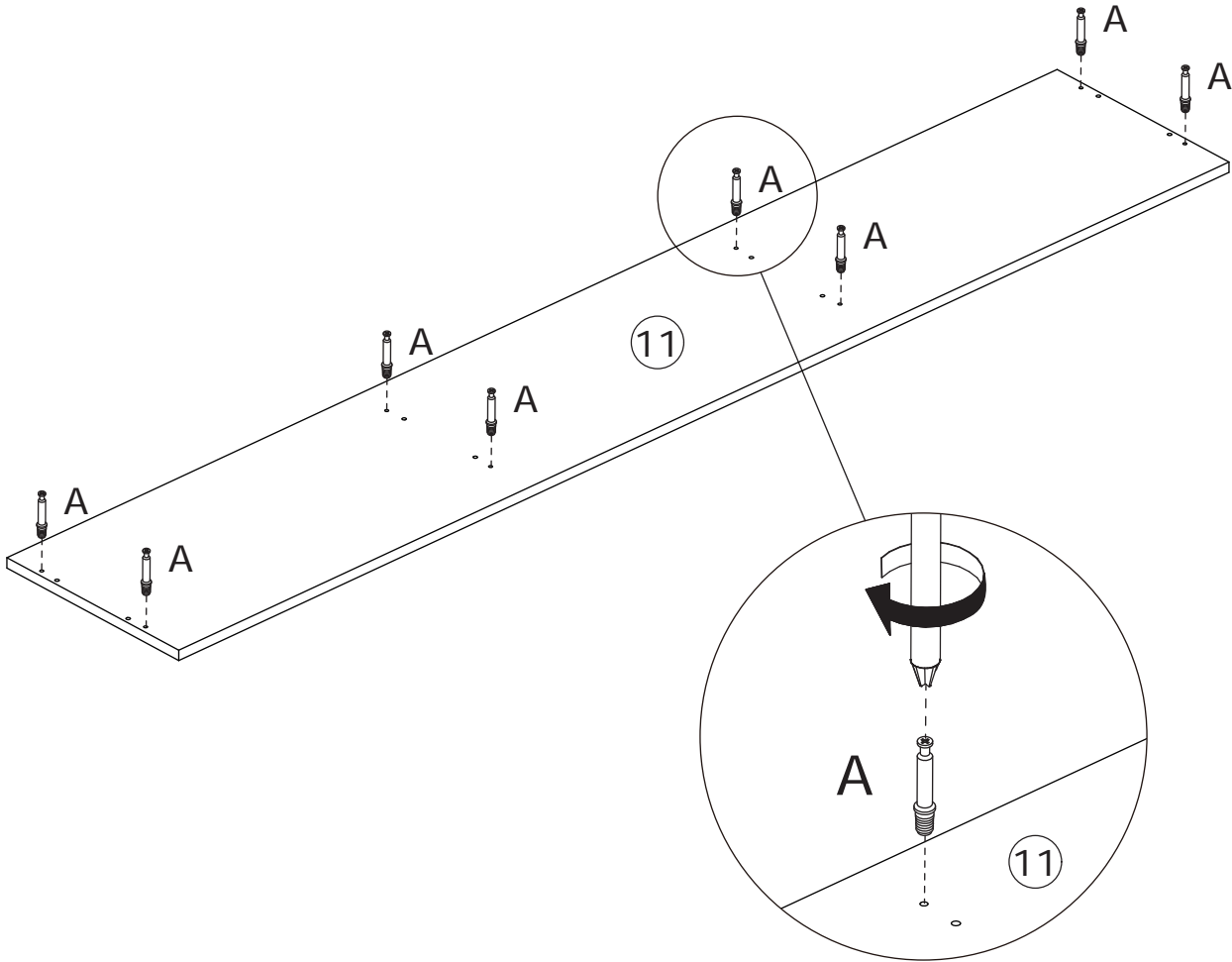
Connect panel 2 and 4 to panel 7, 5, 10 and 26 using wooden dowel(C), add cam lock(B) into panel 7,5,10,26 and turn clockwise to tighten as shown.



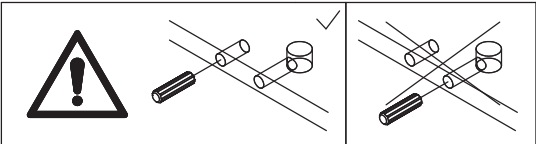
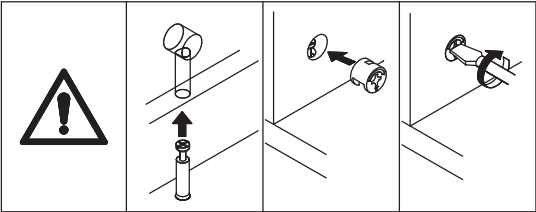
8



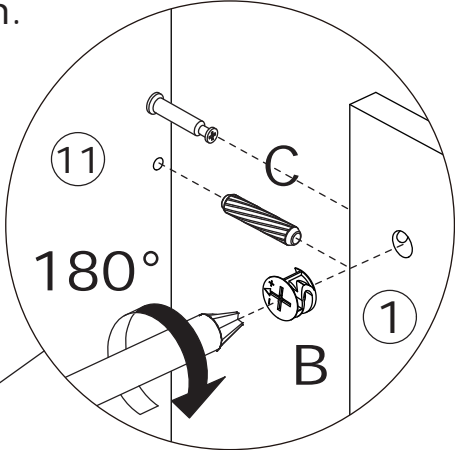
Screw eccentric rod(A)
into panel 11 at first.




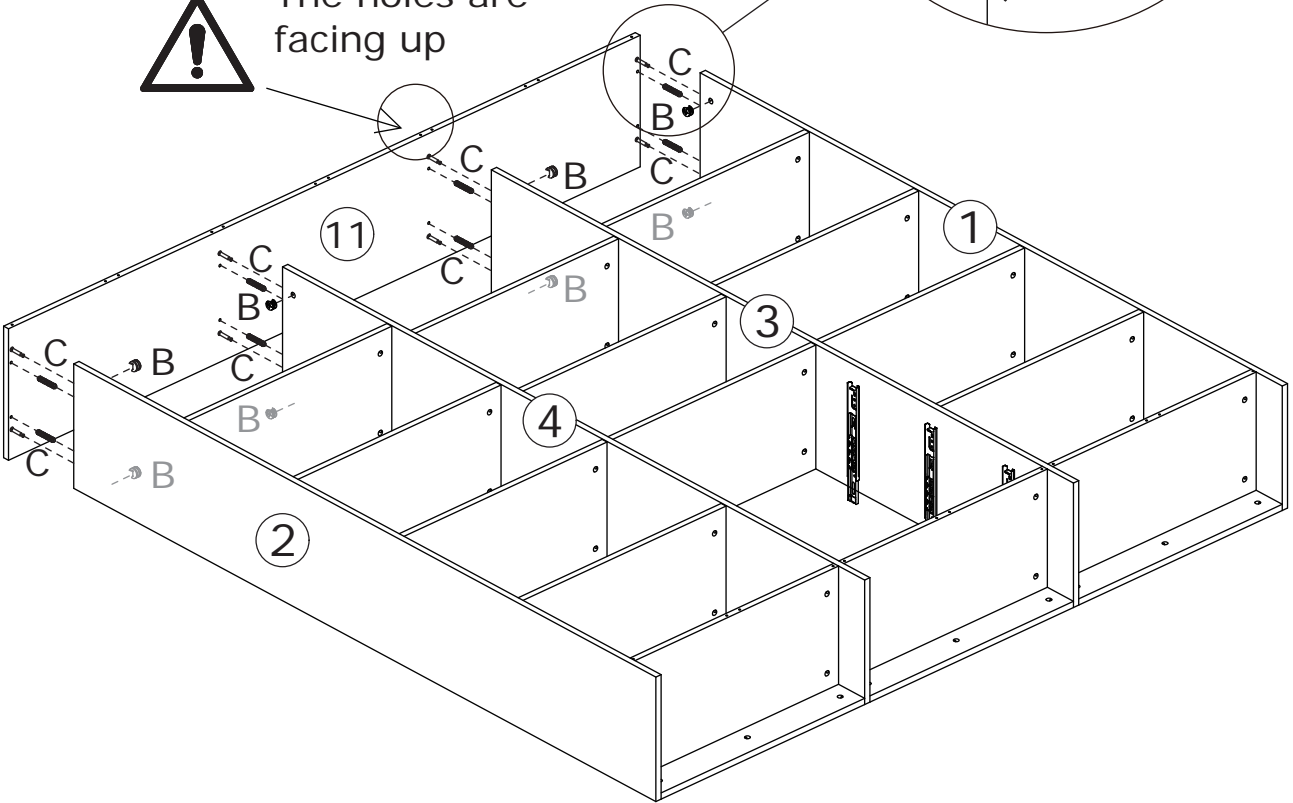
9



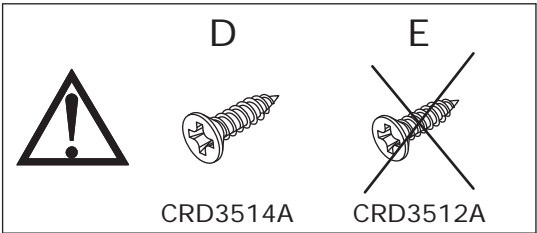
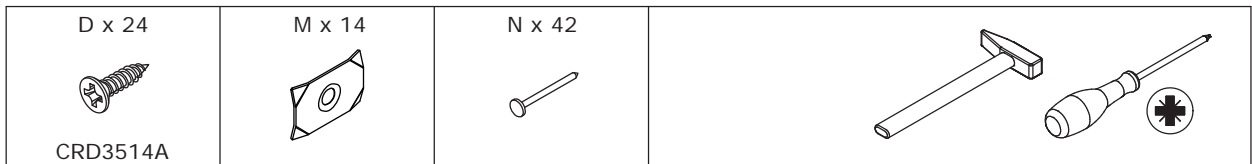
Attach panel 11 to panel 1, 3, 4 and 2 using wooden dowel(C), add cam lock(B) into and turn clockwise to tighten as shown.



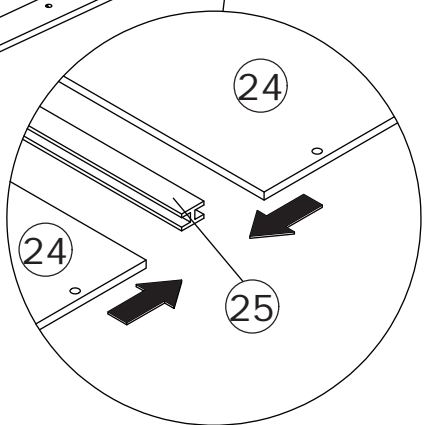
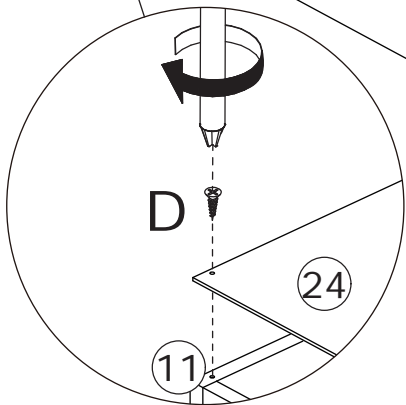
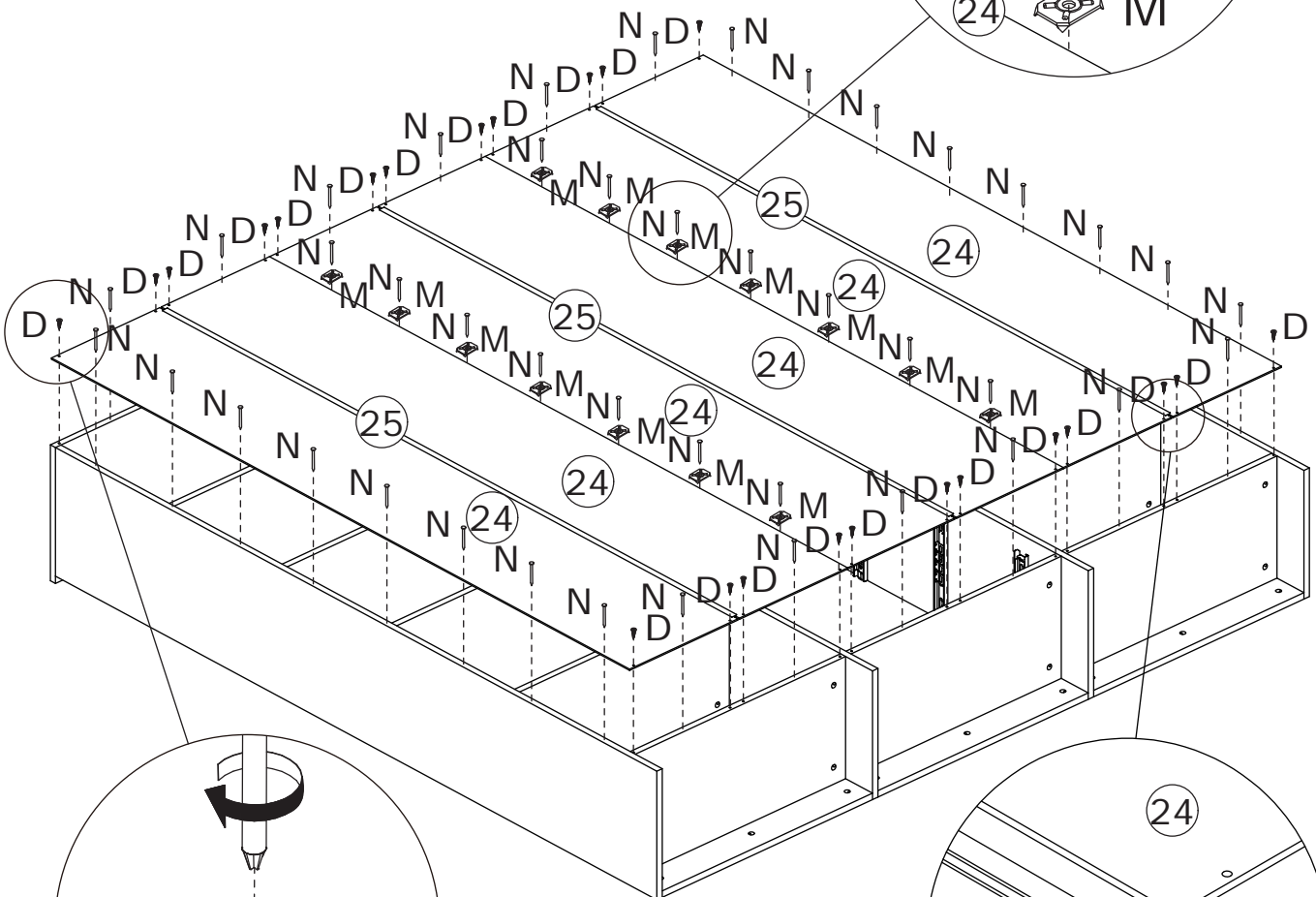
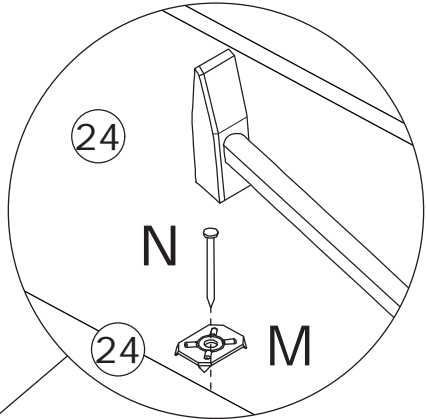
 The holes are facing up



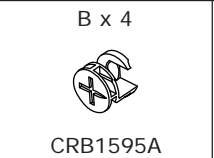
10



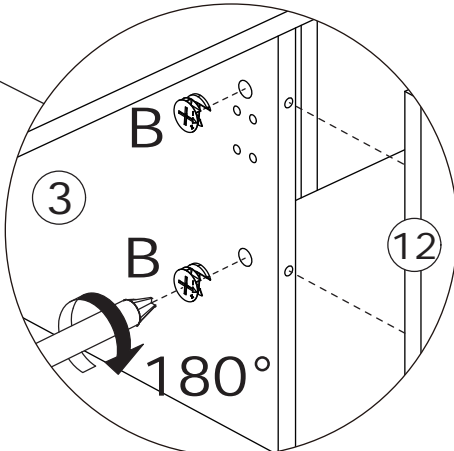
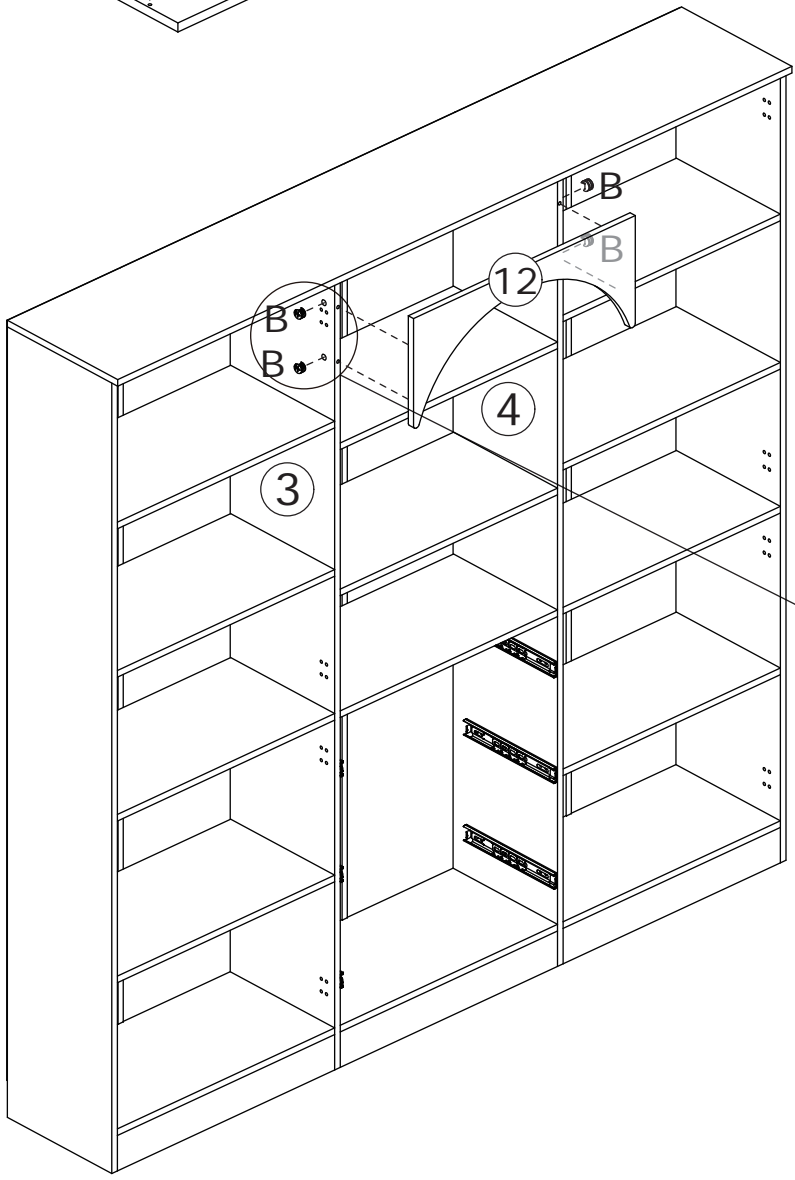
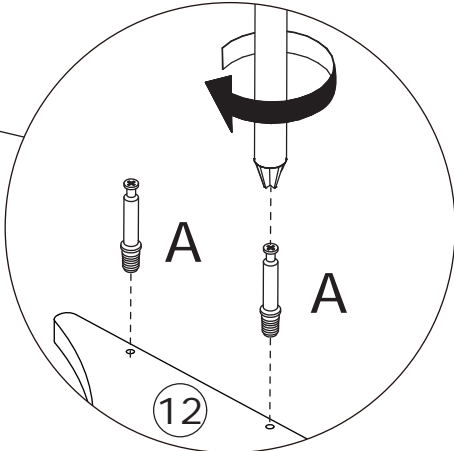
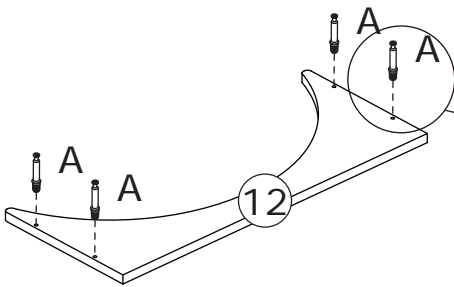
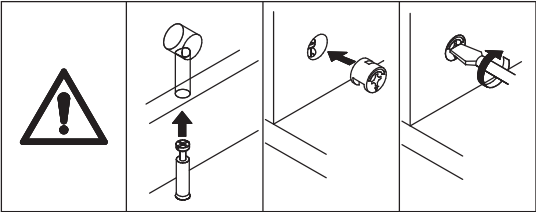
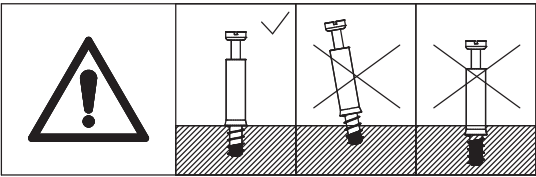
Connect panel 24 with strip 25 at first.
Fix back panel 24 to the unit with
screw(D) and nail(N) as shown.
Fix iron sheet(M) to panel 24 with
nail(N) as shown.



11



Screw eccentric rod(A) into panel 12 at first.
Attach panel 12 to panel 3 and 4,
add cam lock(B) into and turn clockwise to tighten as shown.



12

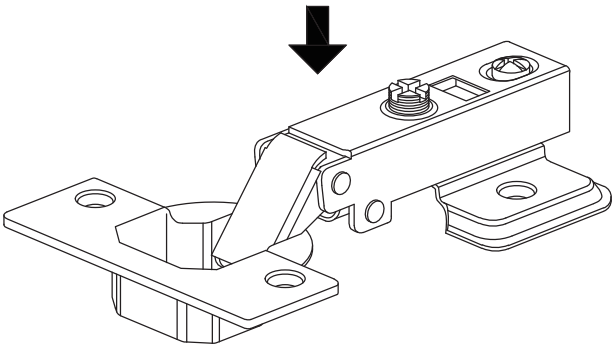


Pay attention to the difference between the middle parts of the two types of door hinges.

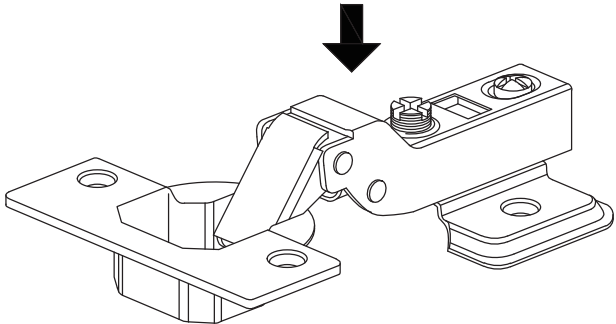


The full coverage door hinges(J) are used on outermost door panel.

The curved door hinges(K) are used on the door panel in the middle of the cabinet.



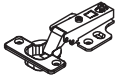

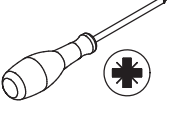


J


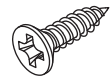
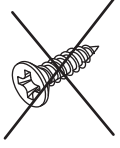





K


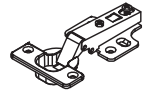
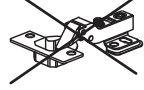
13

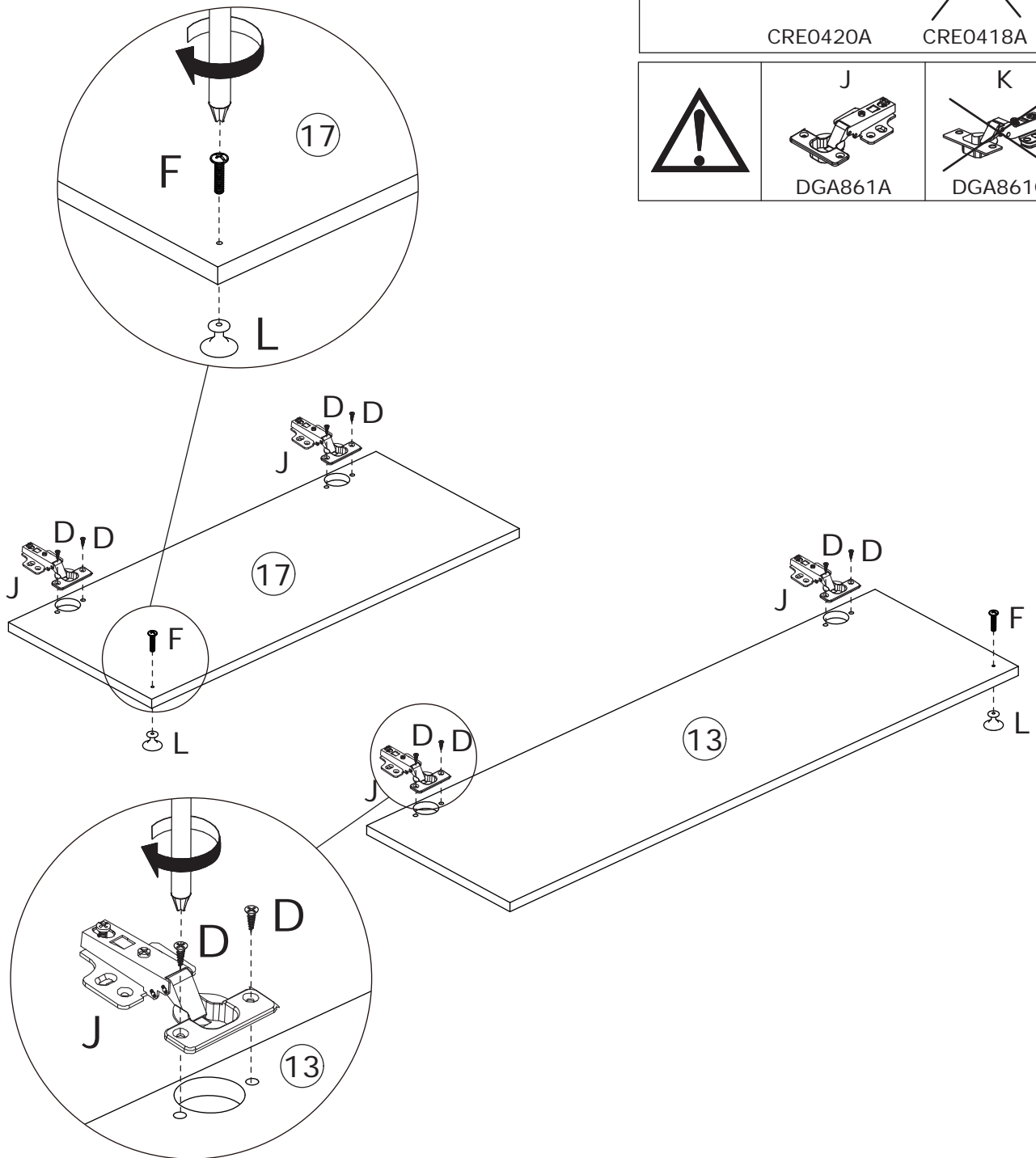
<p>D x 8</p>  <p>CRD3514A</p>	<p>F x 2</p>  <p>CRE0420A</p>	<p>J x 4</p>  <p>DGA861A</p>	<p>L x 2</p> 	
--	--	---	---	---

Fix hinge(J) to panel 17 and 13 with screw(D) as shown.
 Fix knob(L) to panel 17 and 13 with screw(F) as shown.



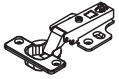

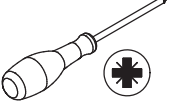
	<p>D</p>  <p>CRD3514A</p>	<p>E</p>  <p>CRD3512A</p>
--	--	--

	<p>F</p>  <p>CRE0420A</p>	<p>G</p>  <p>CRE0418A</p>
--	--	--


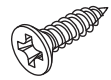
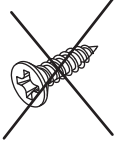
	<p>J</p>  <p>DGA861A</p>	<p>K</p>  <p>DGA861C</p>
--	---	---



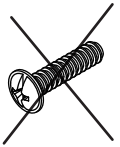



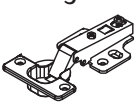

14

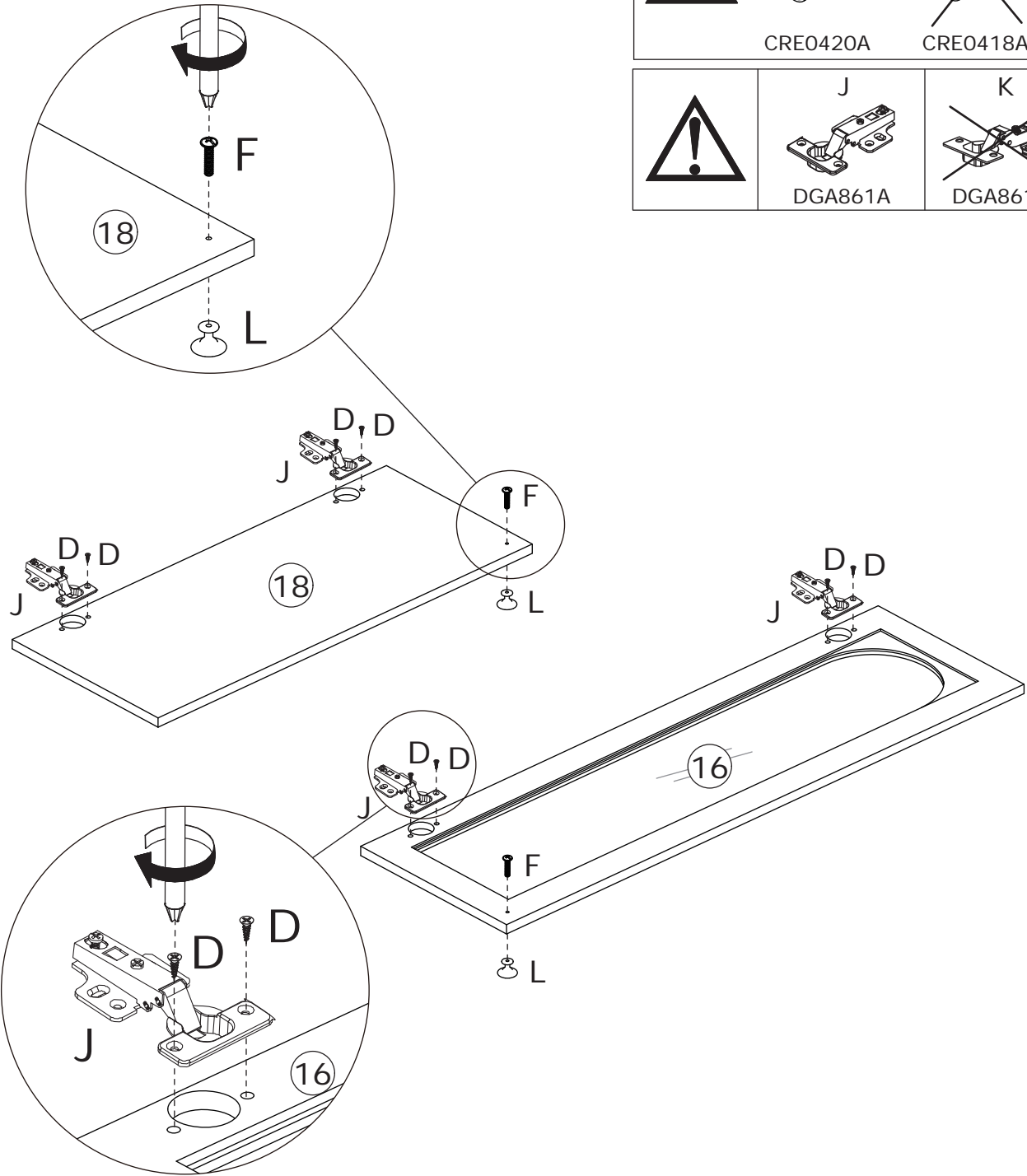
D x 8  CRD3514A	F x 2  CRE0420A	J x 4  DGA861A	L x 2 	
--	--	---	---	---

Fix hinge(J) to panel 18 and 16 with screw(D) as shown.
Fix knob(L) to panel 18 and 16 with screw(F) as shown.

	D  CRD3514A	E  CRD3512A
--	--	--


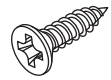
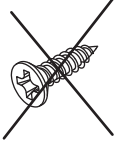
	F  CRE0420A	G  CRE0418A
--	--	--

	J  DGA861A	K  DGA861C
--	---	---

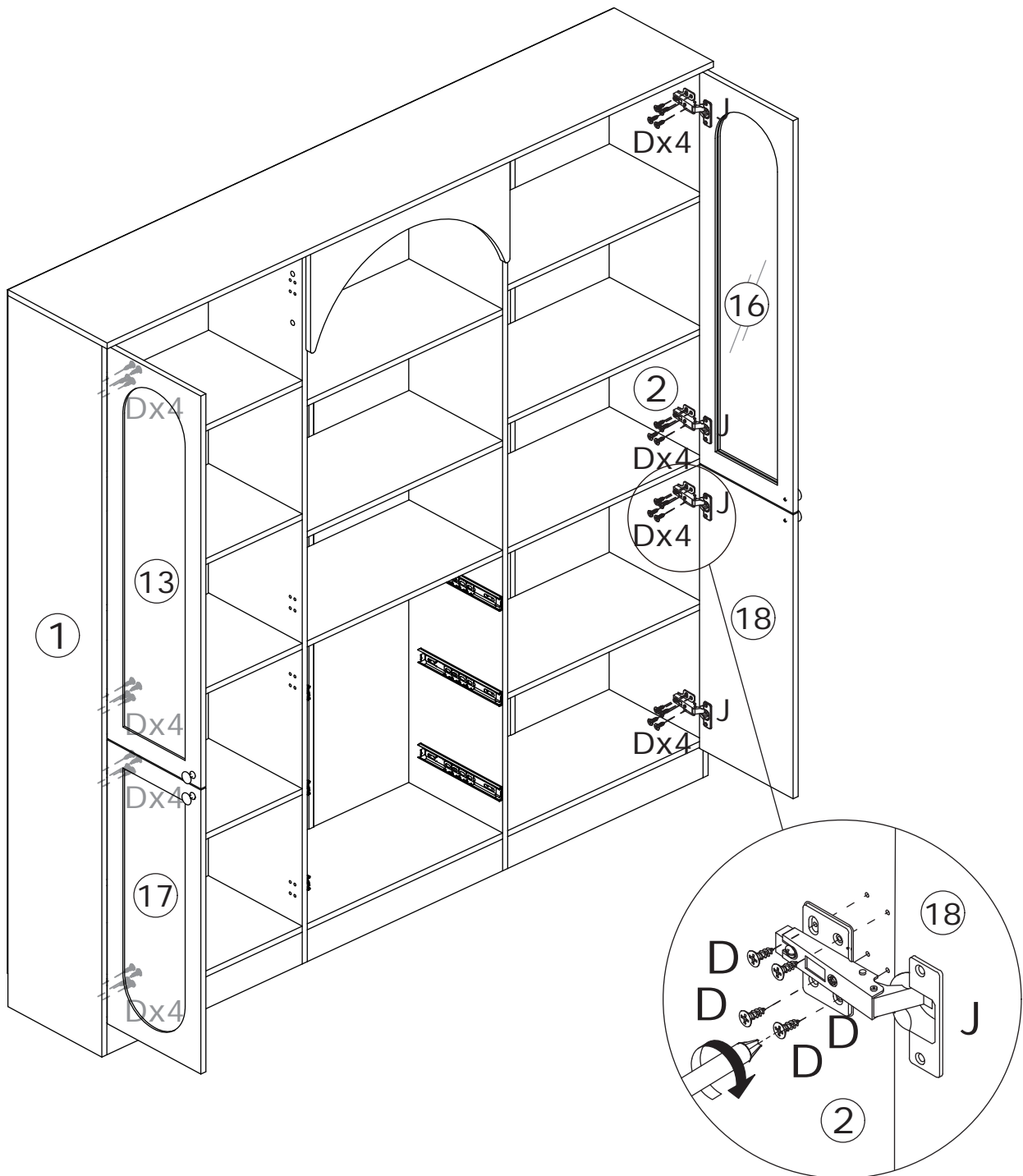


15





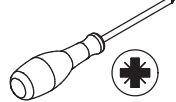
D x 32  CRD3514A	
---	---

	D  CRD3514A	E  CRD3512A
--	--	--


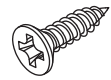
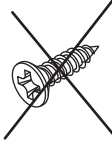
Assemble door 13, 17, 16 and 18 to outermost side by fixing hinge(J) with screw(D) as shown.







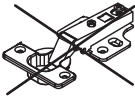

16

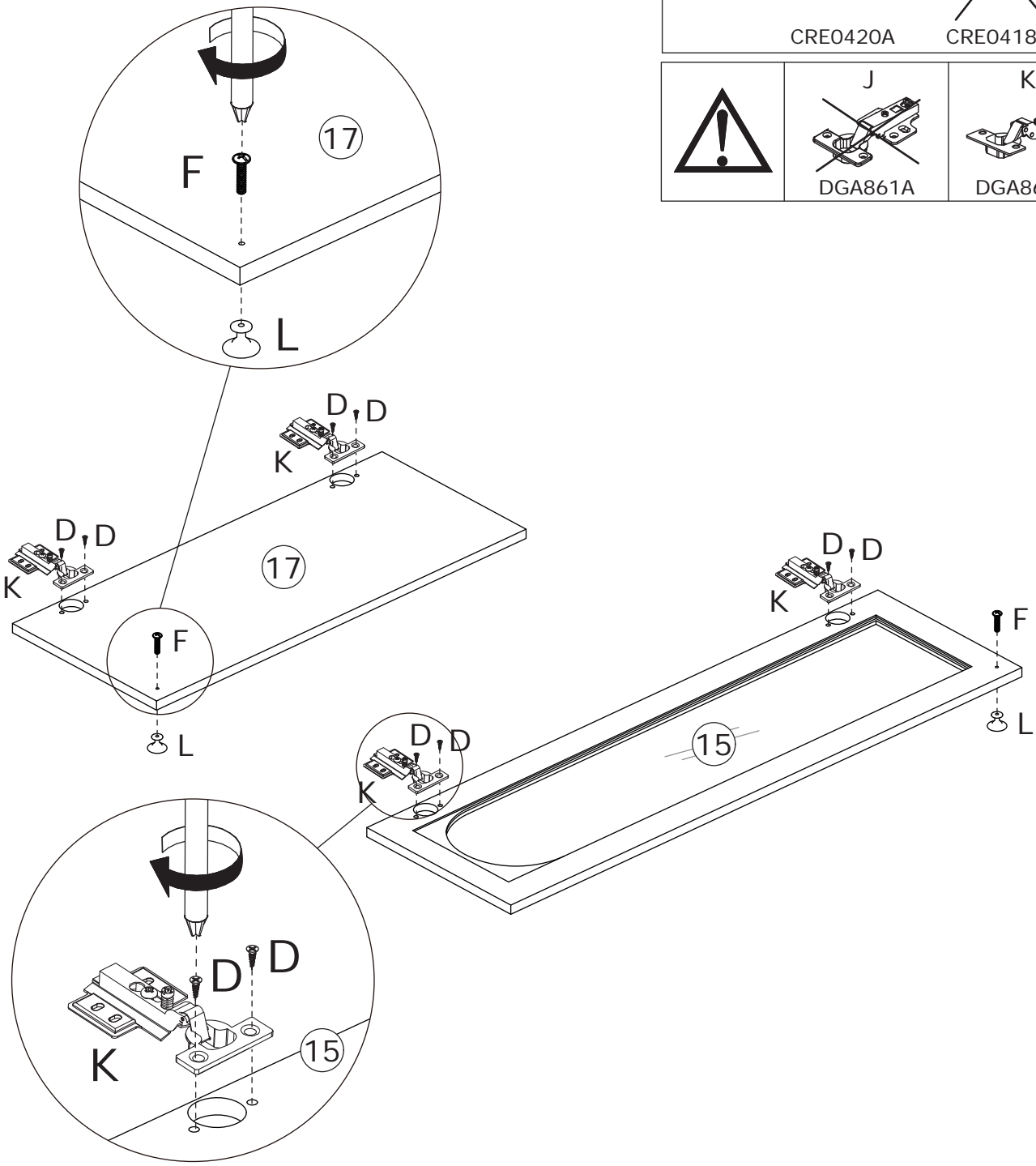
D x 8  CRD3514A	F x 2  CRE0420A	K x 4  DGA861C	L x 2  L x 2	
--	--	---	--	---

Fix hinge(K) to panel 17 and 15 with screw(D) as shown.
Fix knob(L) to panel 17 and 15 with screw(F) as shown.





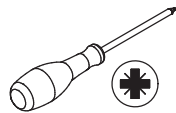
	D  CRD3514A	E  CRD3512A
--	--	--

	F  CRE0420A	G  CRE0418A
--	--	--


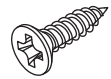
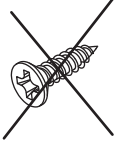
	J  DGA861A	K  DGA861C
--	---	---



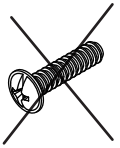



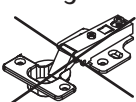

17

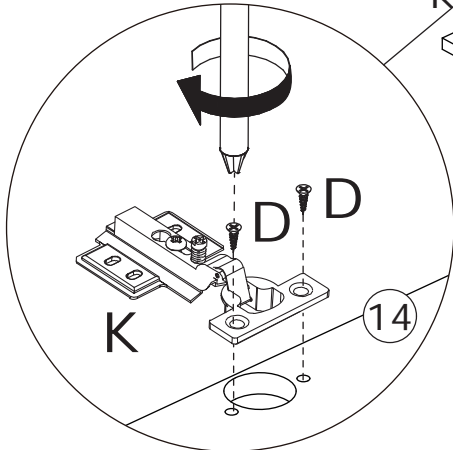
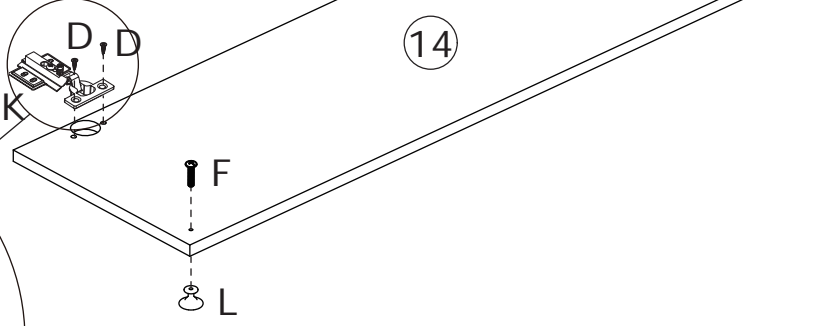
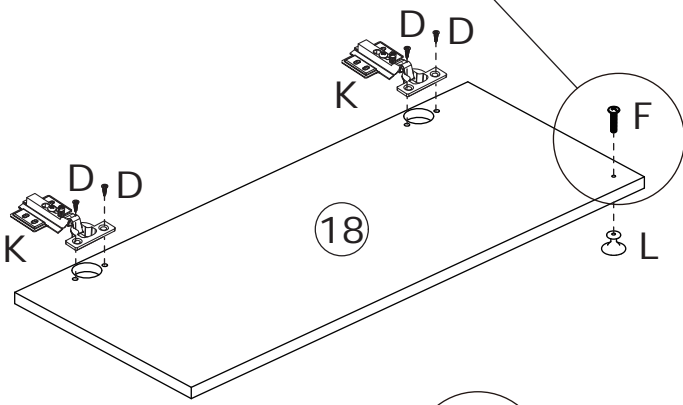
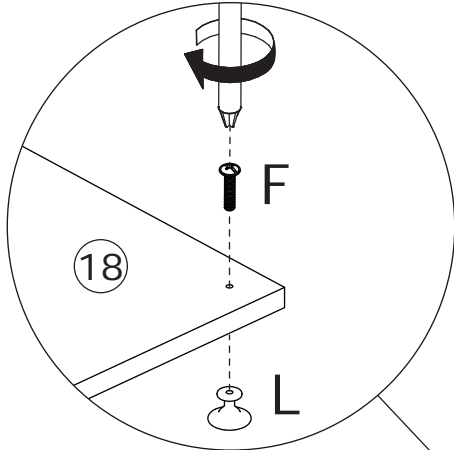
D x 8  CRD3514A	F x 2  CRE0420A	K x 4  DGA861C	L x 2 	
--	--	---	---	---

Fix hinge(K) to panel 18 and 14 with screw(D) as shown.
Fix knob(L) to panel 18 and 14 with screw(F) as shown.

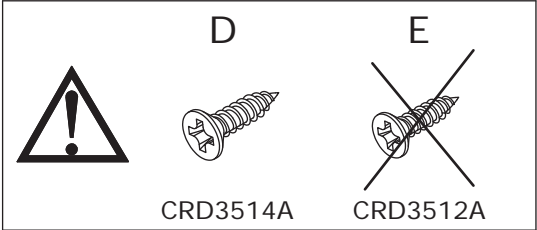
	D  CRD3514A	E  CRD3512A
--	--	--

	F  CRE0420A	G  CRE0418A
--	--	--

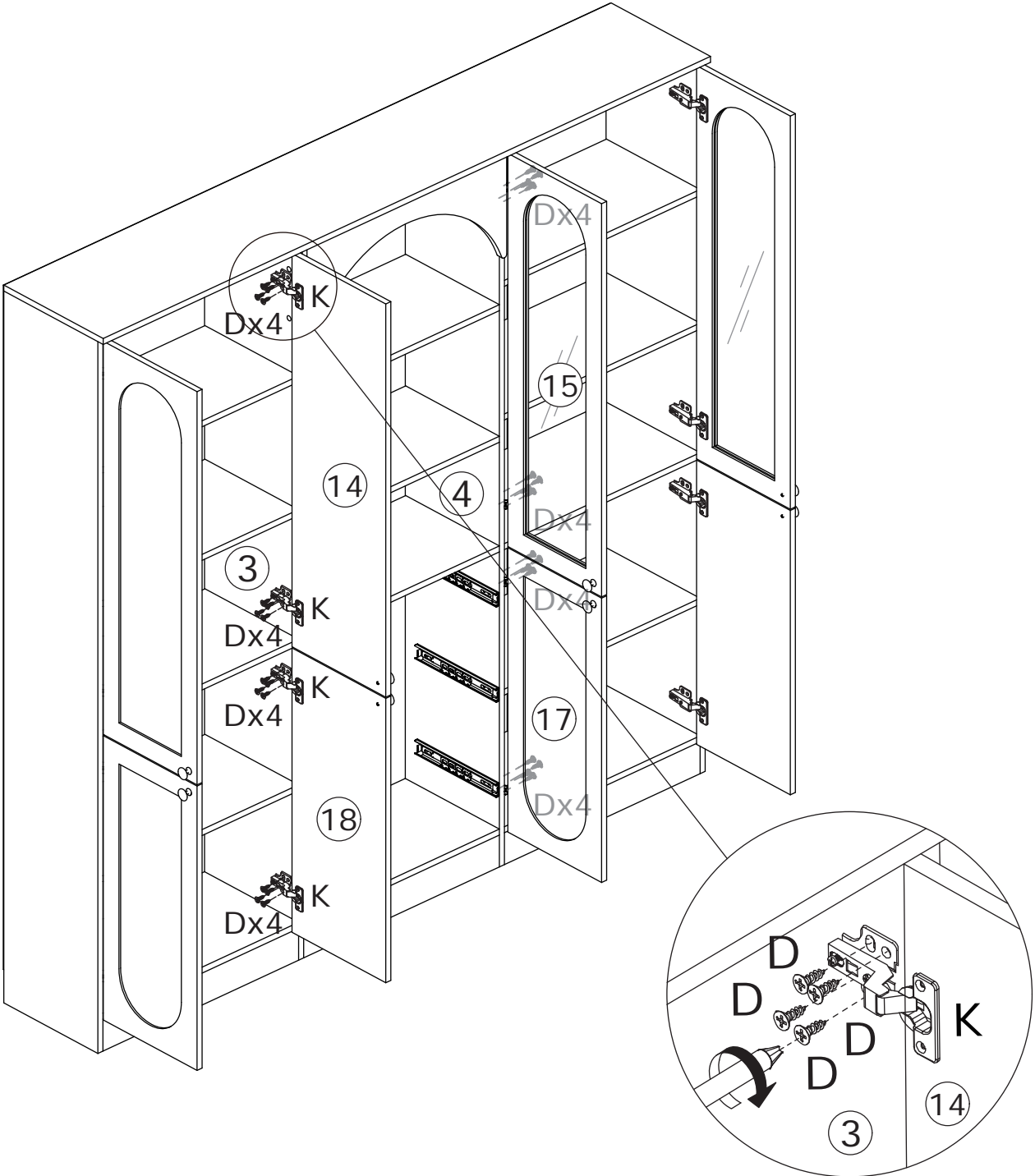
	J  DGA861A	K  DGA861C
--	---	---

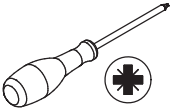


18



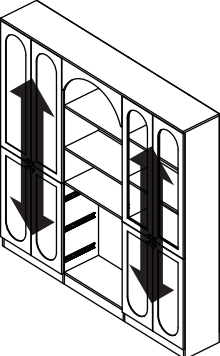
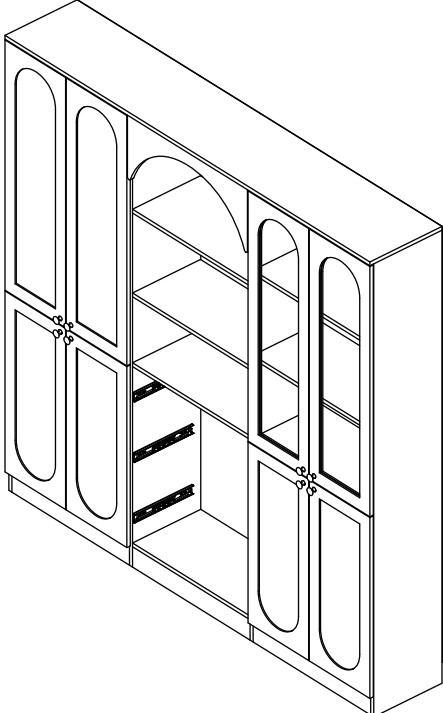
Assemble door 15, 17, 14 and 18 to middle side panels by fixing hinge(K) with screw(D) as shown.



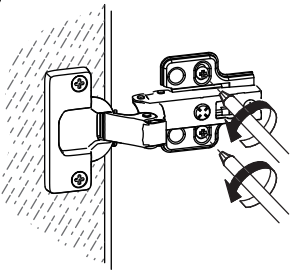


If doors are still not aligned if the hinges are properly correctly, please watch the video.

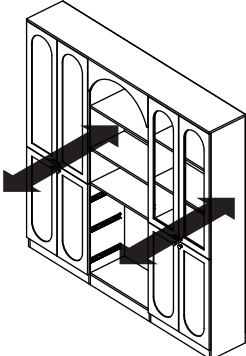
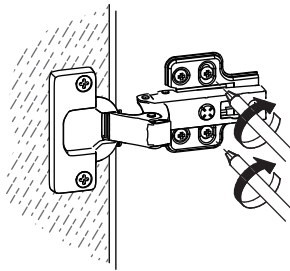
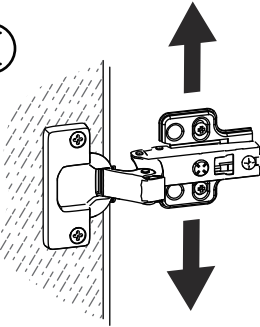
<https://youtu.be/n0Lb36SoODM>



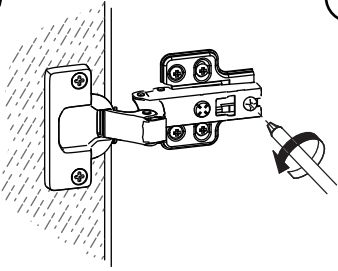
Ⓘ



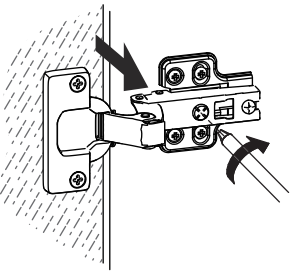
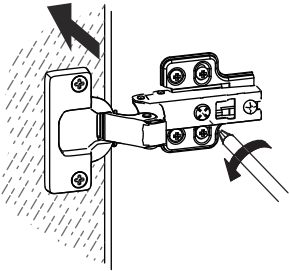
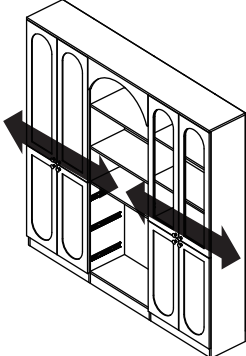
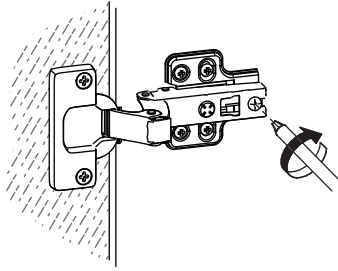
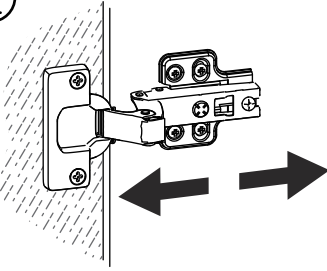
Ⓙ



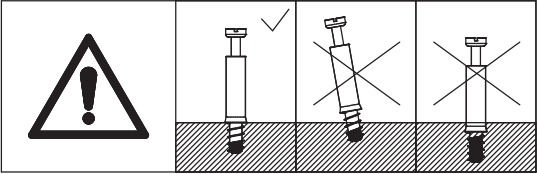
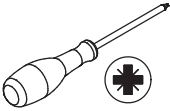
Ⓘ



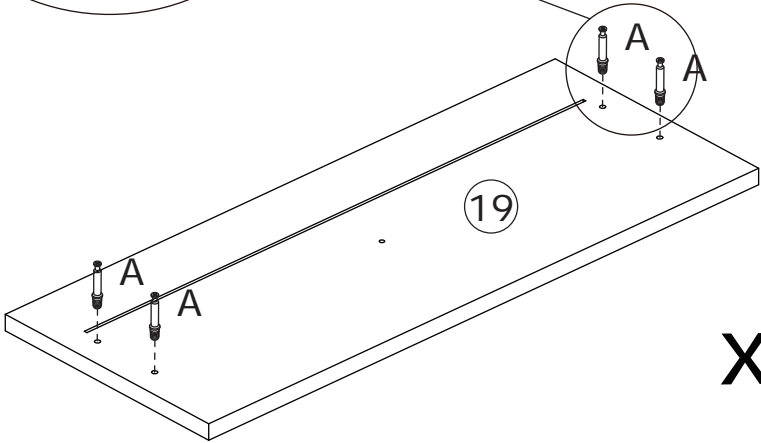
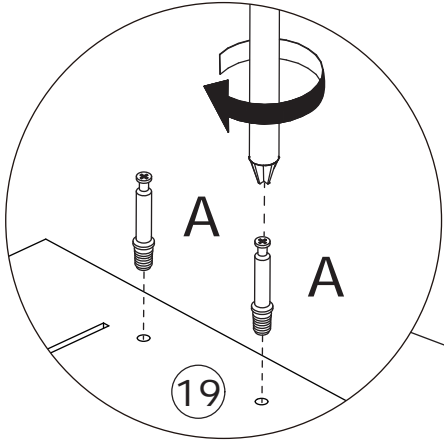
Ⓙ



20



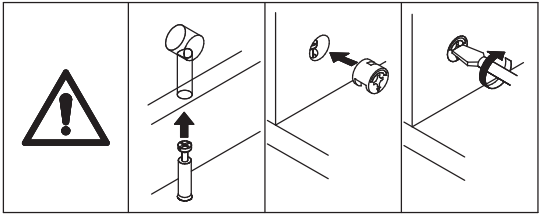
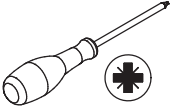
Screw eccentric rod(A)
into panel 19 at first.



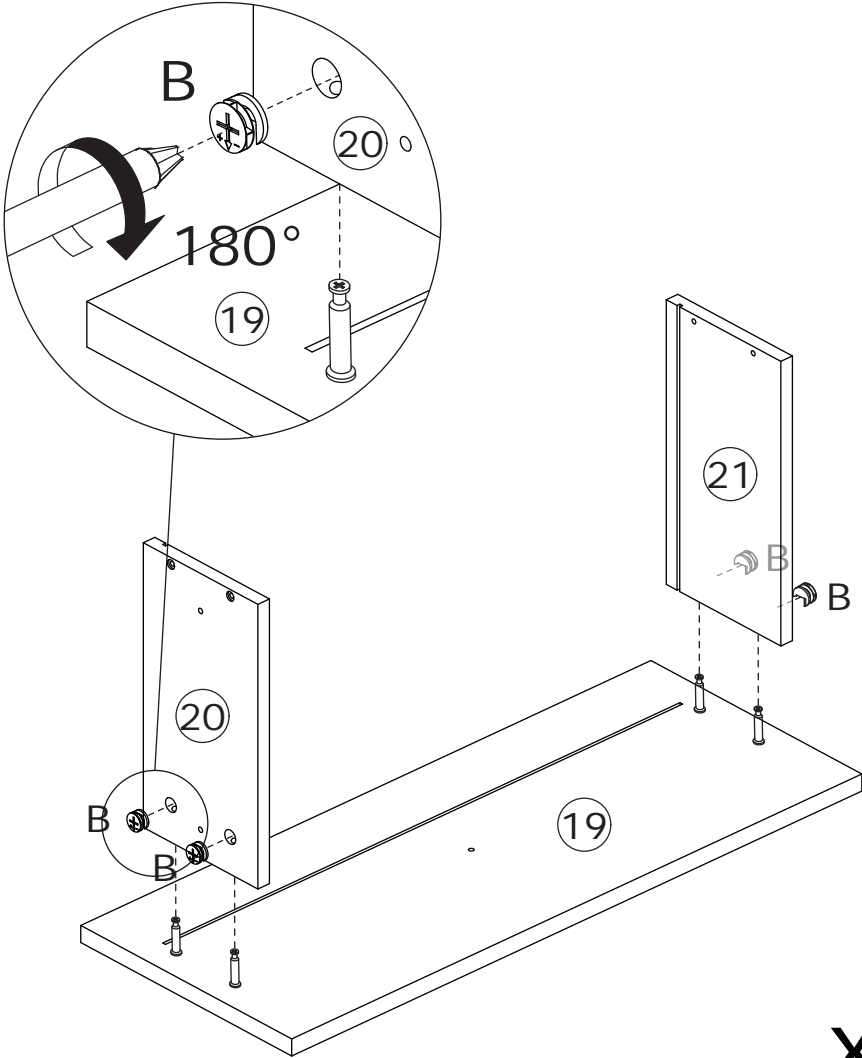
x3

21

B x 12
CRB1595A



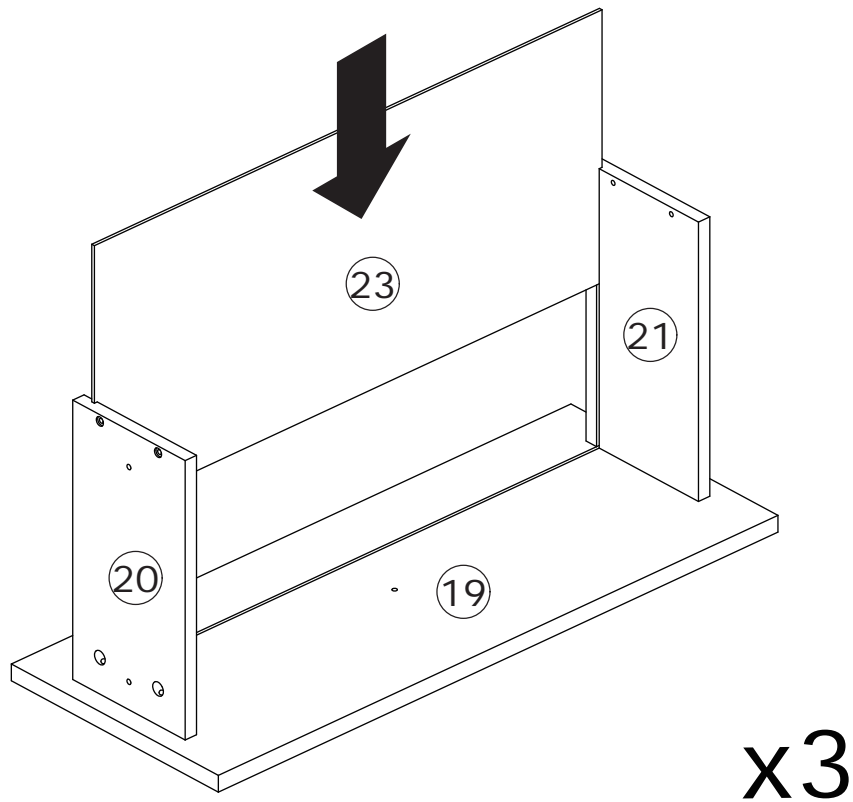
Attach panel 19 to panel 20 and 21,
add cam lock(B) into and turn
clockwise to tighten as shown.



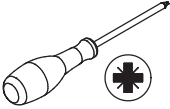
x3

22

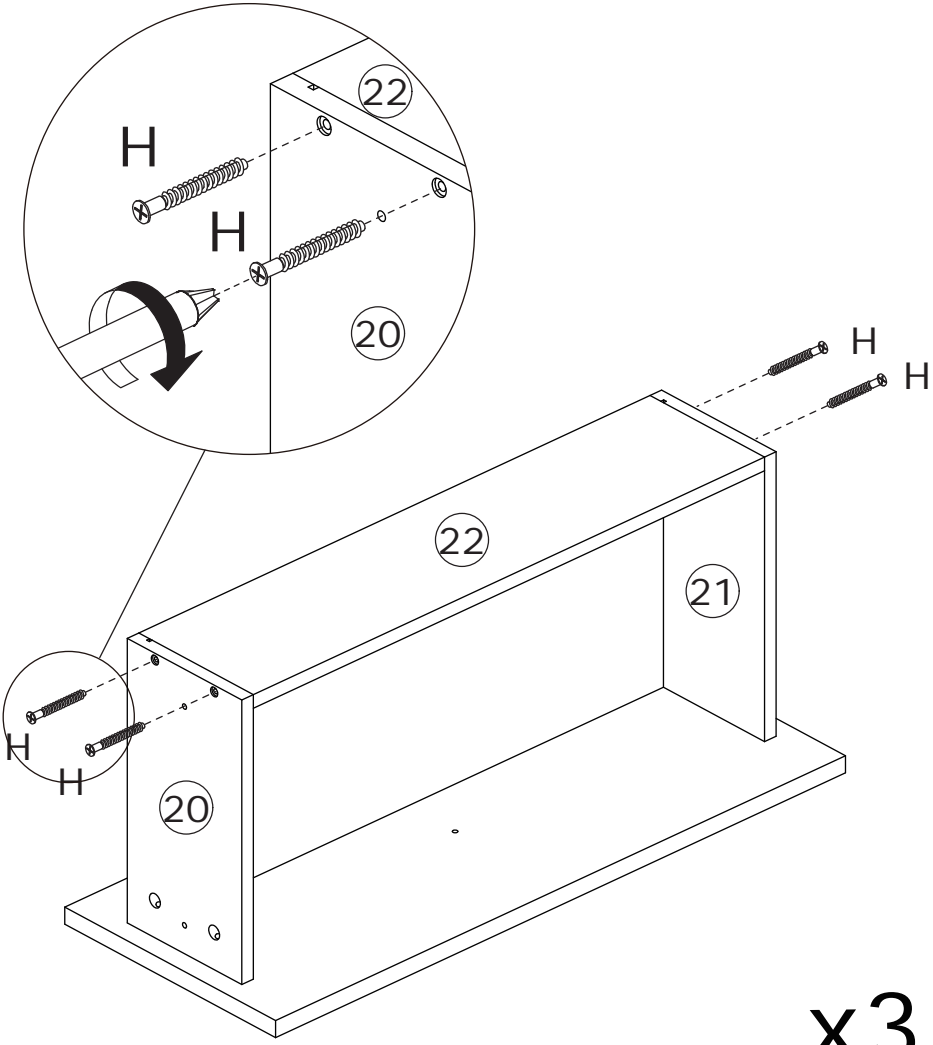
Insert bottom panel 23 along available grooves as shown.



23




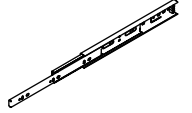
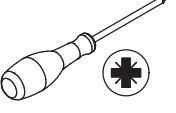


Fix panel 22 to panel 20 and 21 with screw(H) as shown.

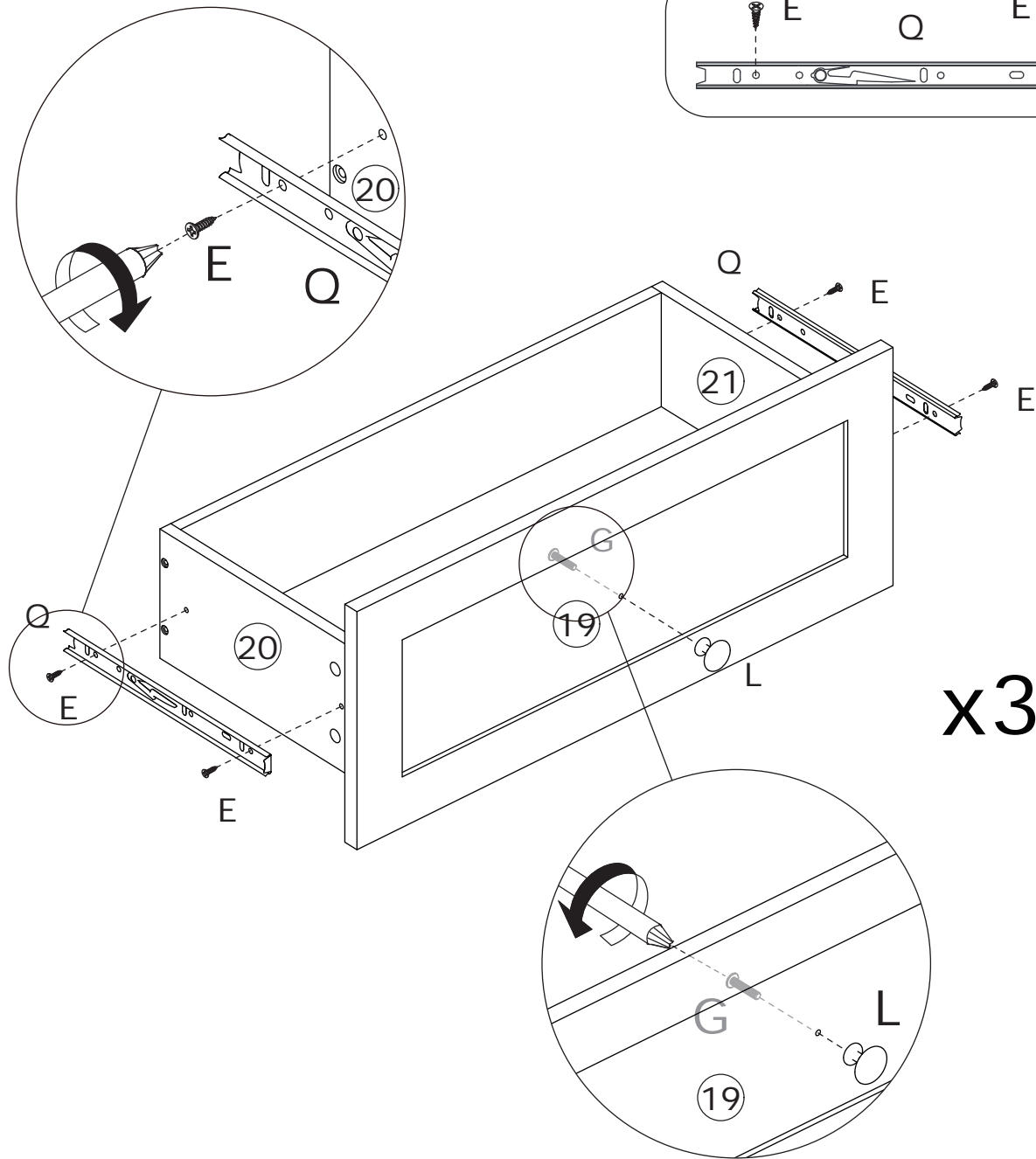
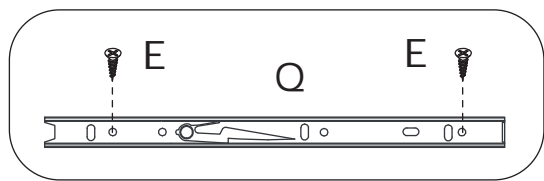
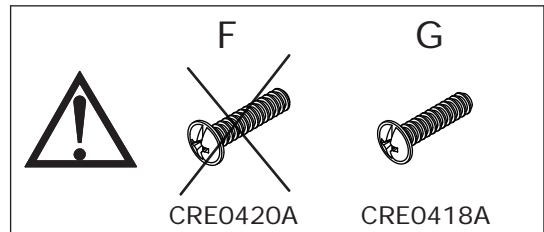
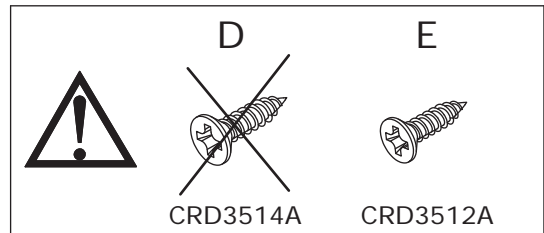


x3

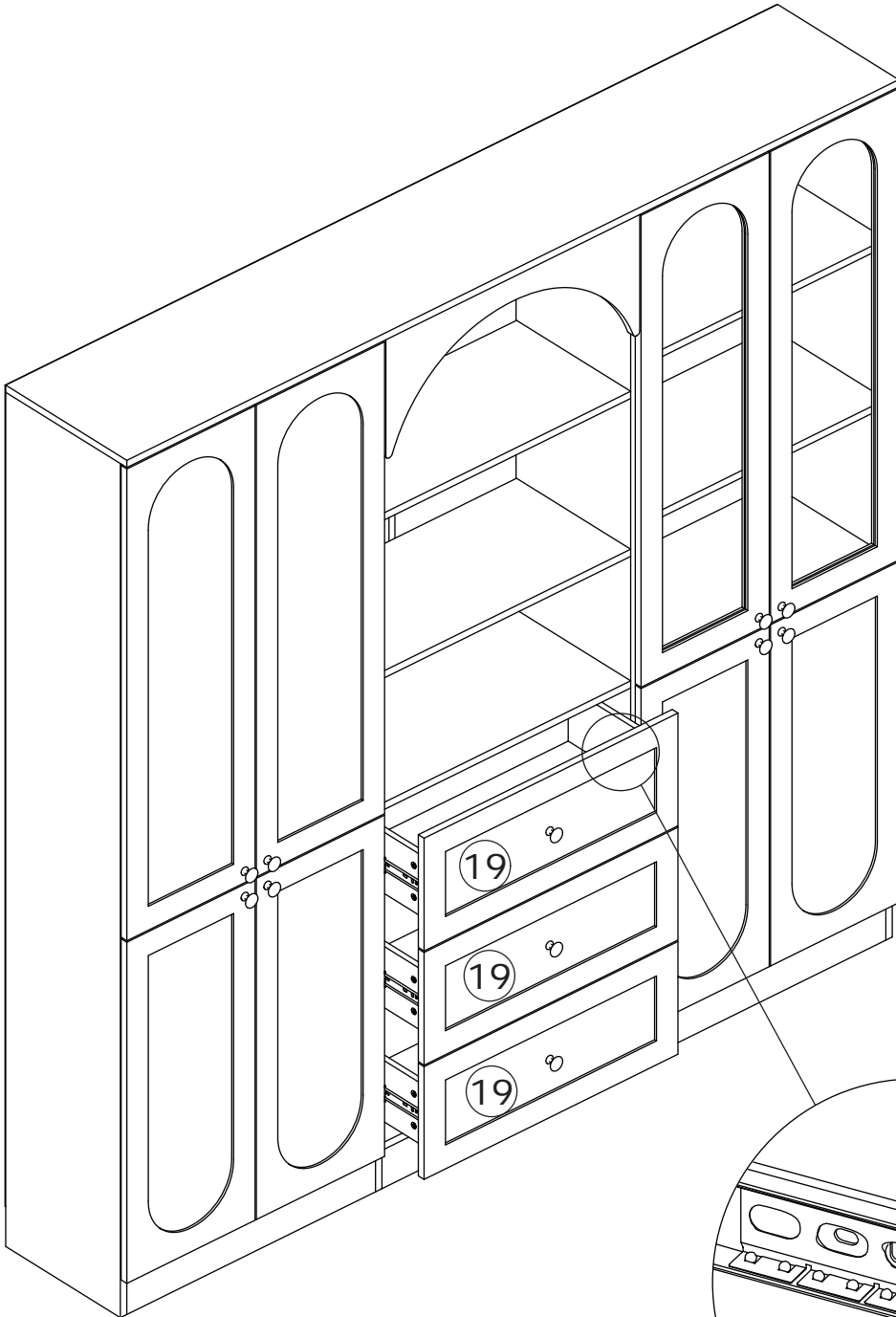
24

E x 12  CRD3512A	G x 3  CRE0418A	L x 3 	Q x 6 	
---	--	--	---	---

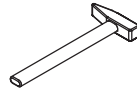
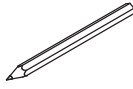
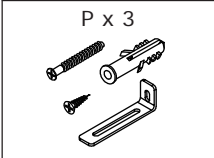
Fix runner(Q) to panel 20 and 21 with screw(E) as shown.
Fix knob(L) with screw(G) as shown.



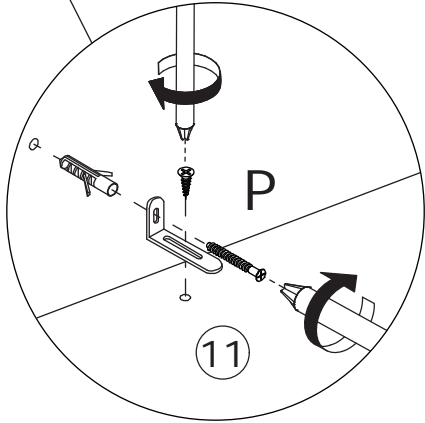
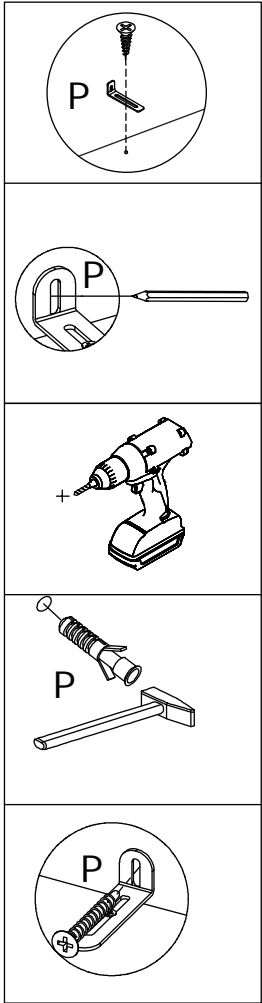
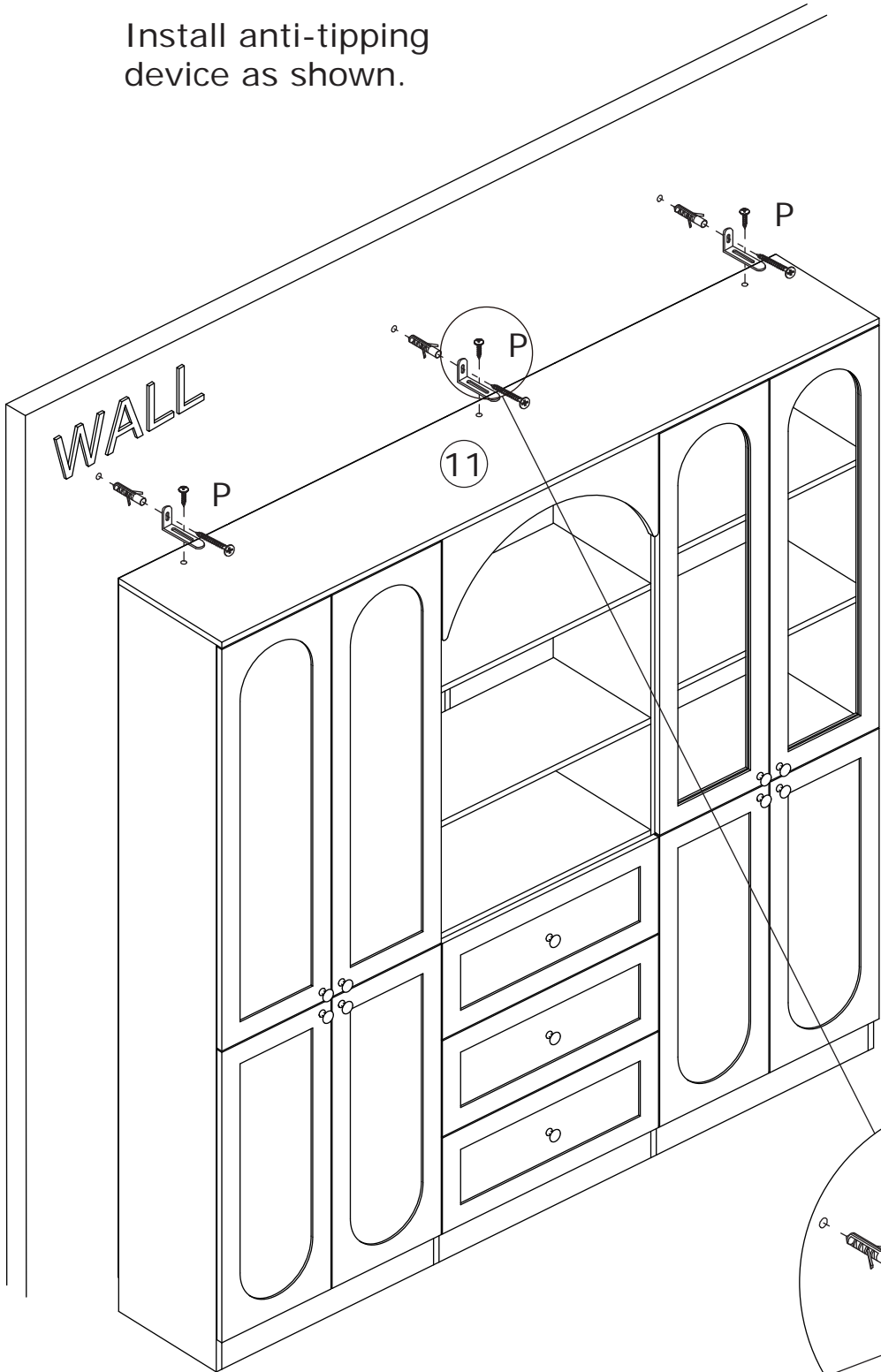
25



26



Install anti-tipping device as shown.



WARRANTY

WARRANTY CLAIMS

- There is a 30-day warranty for broken furniture or any other problems that do not work properly. The warranty will start from the date of purchase which must be verified by proof of purchase.
- Before making a claim, we may be able to answer your query, simply call us. Please leave your purchase order number, along with some details of the problem, if you want a replacement part. We will arrange within 48 hours. If there is out of stock, we will reply with a shipping date.
- The product must be used in accordance with the instructions provided. For health reasons.
- For other reasons, if the furniture needs to be returned, it must be cleaned and dried and operated within 30 days of receipt.

Type of Warranty Claim

- Failure to follow the furniture instructions will invalidate the warranty. Attention please.
- Does not include damage during installation, but includes damage during transportation.

Scope of responsibility

- Shall not bear any responsibility for misuse or user damage and / or loss of parts during the installation of furniture.
- After using, the damage and scratches of the furniture are not covered by the warranty.

The Warranty Relates to All Bought in The Us and Covers The Following Areas

- Sheet parts: 1 month from the date of purchase.
- Electrical parts: 1 month from the date of purchase.