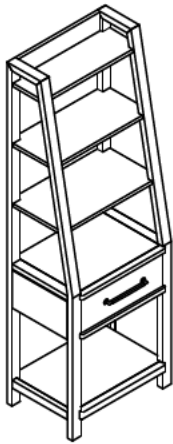


# ASSEMBLY INSTRUCTION

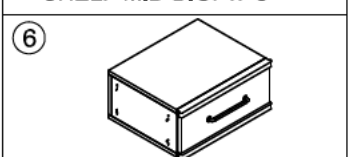
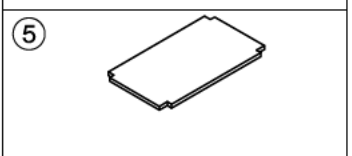
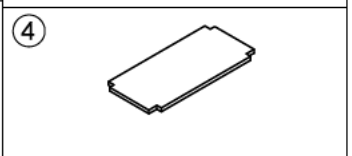
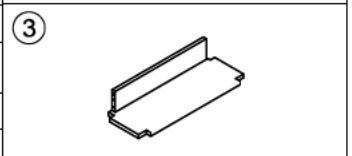
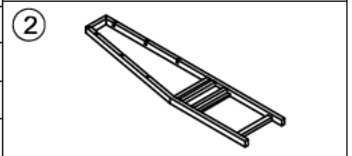
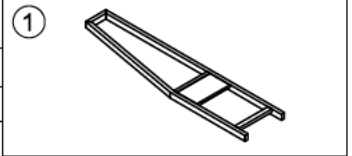
DESCRIPTION: LEANING BOOKCASE

Thank you for purchasing this quality product. Be sure to check all packing material carefully for small parts which may have come loose inside the carton during shipment. Identify and count all parts and compare with the parts List Below:



## HUTCH PART LIST:

⑧			
HARDWARE LIST			
NO.	Drawing	Description	
A		Bolt (Ø5/16"x1-3/4")	12pcs
B		Spring washer (Ø5/16")	12pcs
C		Flat washer (Ø5/16"x19mm)	12pcs
D		Ø5/16" Wrench(12mm)	1pc
E		Metal L Bracket(19*13*18*2mm, 100°)	6pcs
F		Wood screw(Ø8*1/2")	12pcs
G		Wood screw(Ø8*1-1/4")	4pcs
H		Wood screw(Ø8*3/4")	4pcs

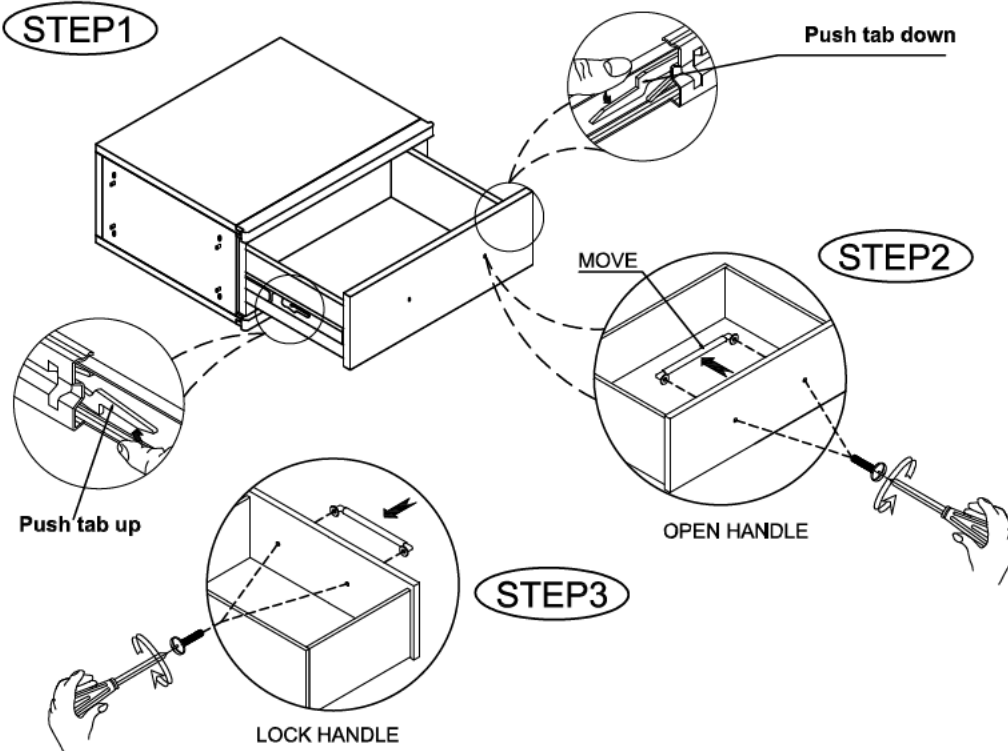


⑨			
HARDWARE LIST			
NO.	Drawing	Description	Q'ty
A		Furniture Tipping Restraint	1 Set

**NOTE:**  
Remove the hardware screws and re-attach on the front of the drawer as shown.

## HOW TO REMOVE DRAWER

To remove drawer, simultaneously pull tab up on one side and push down on the other and remove drawer.

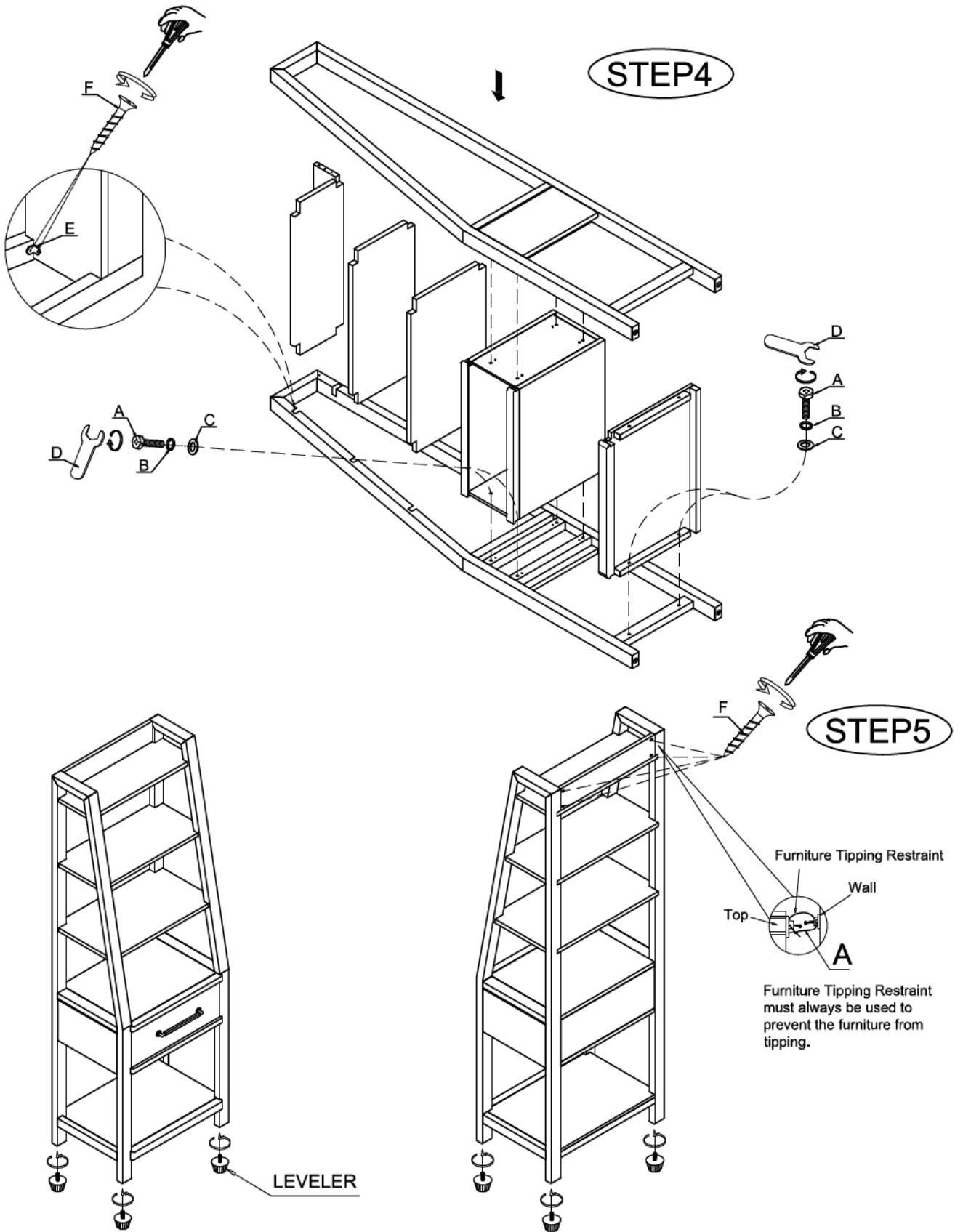


## CLEANING INSTRUCTION

Clean the Leaning Bookcase surface with a furniture polish and a soft cloth.

# ASSEMBLY INSTRUCTION

DESCRIPTION: LEANING BOOKCASE



## CLEANING INSTRUCTION

Clean the Leaning Bookcase surface with a furniture polish and a soft cloth.