




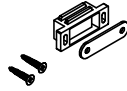




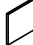



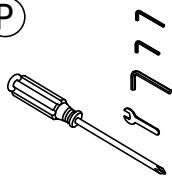
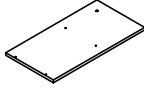




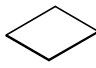

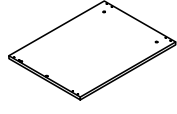
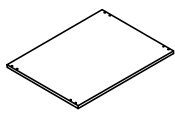
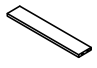
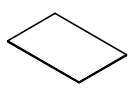






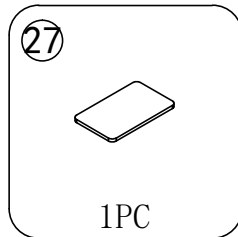
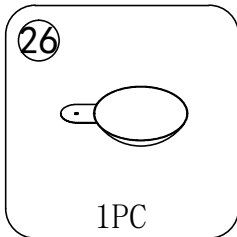
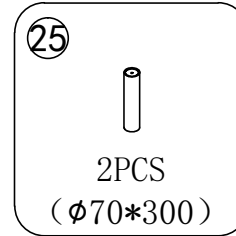
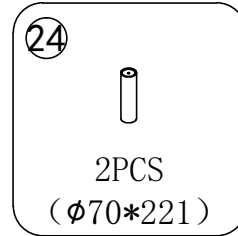
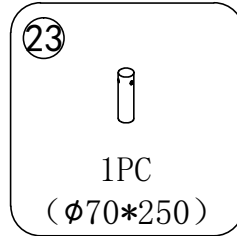
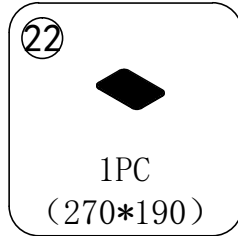
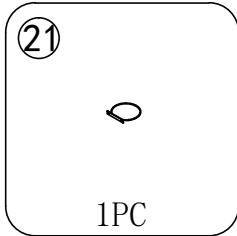
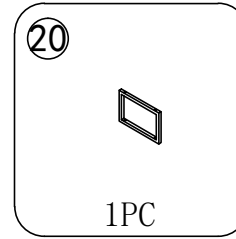
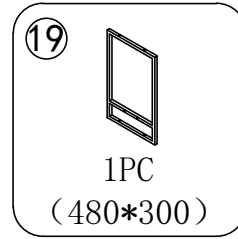
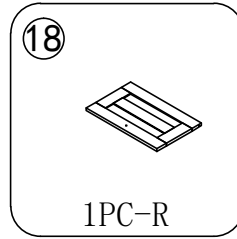
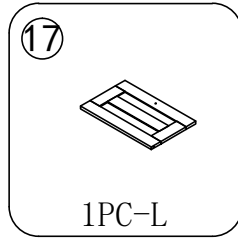
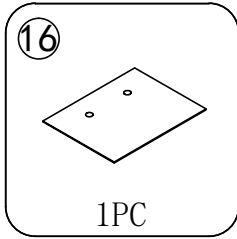
## Hardware List

<b>(A)</b>   24PCS (5*40)	<b>(B)</b>   3PCS (M8*50)	<b>(C)</b>   10PCS (M6*22)	<b>(D)</b>   3PCS (M8*50)	<b>(E)</b>   4PCS (M4*12)
<b>(F)</b>   2PCS (3*14)	<b>(G)</b>   4PCS	<b>(H)</b>   2PCS	<b>(I)</b>   2PCS	<b>(J)</b>   3PCS
<b>(K)</b>   1PC ( $\phi$ 140)	<b>(L)</b>   4PCS (40*40)	<b>(M)</b>   1PC (M4*25)	<b>(N)</b>   1PC (M4*40)	<b>(O)</b>   1PC
<b>(P)</b>   1PC				

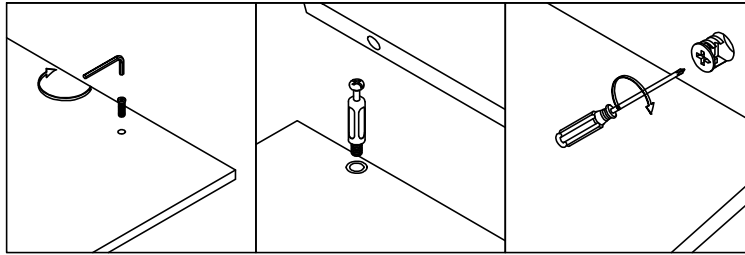
## Panel List

<b>(1)</b>   1PC	<b>(2)</b>   1PC	<b>(3)</b>   1PC	<b>(4)</b>   1PC	<b>(5)</b>   1PC
<b>(6)</b>   1PC	<b>(7)</b>   1PC	<b>(8)</b>   1PC	<b>(9)</b>   1PC	<b>(10)</b>   1PC
<b>(11)</b>   1PC	<b>(12)</b>   1PC	<b>(13)</b>   1PC	<b>(14)</b>   1PC	<b>(15)</b>   1PC

# Panel List

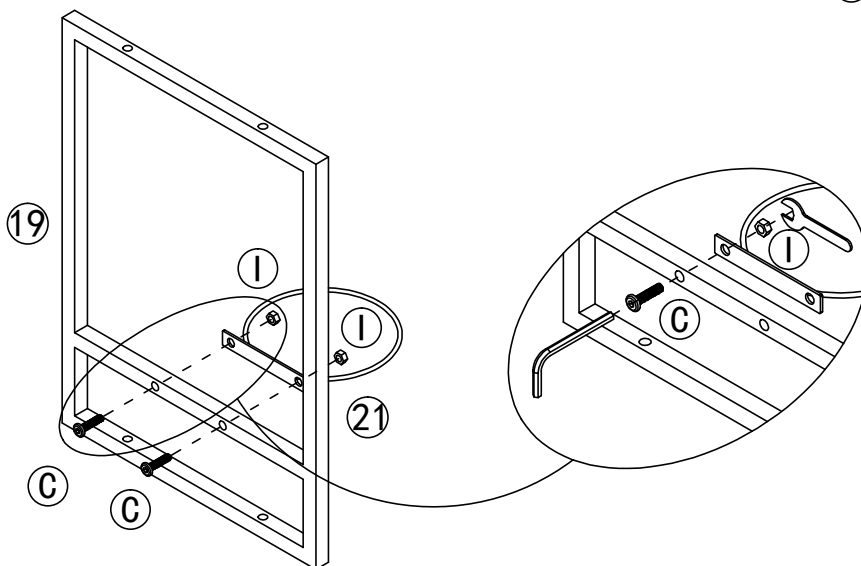
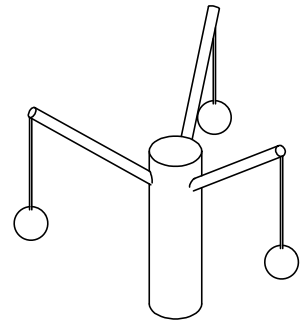
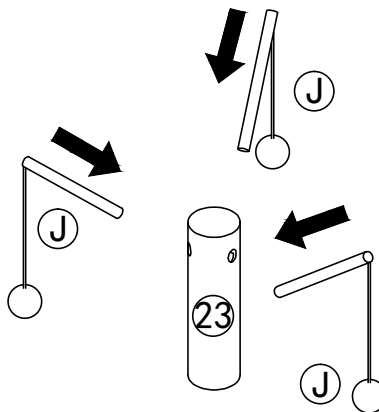
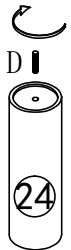
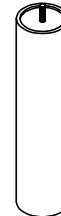
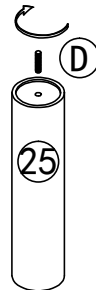
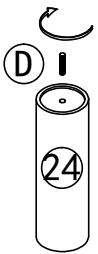
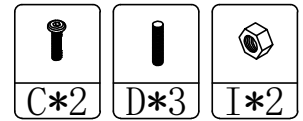


# Assembling the unit with camlocks and wood dowels






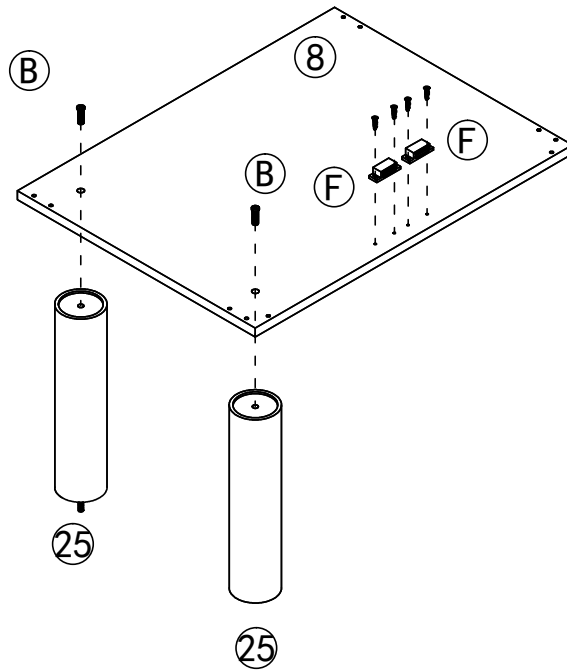
## Assembly instructions

step 1




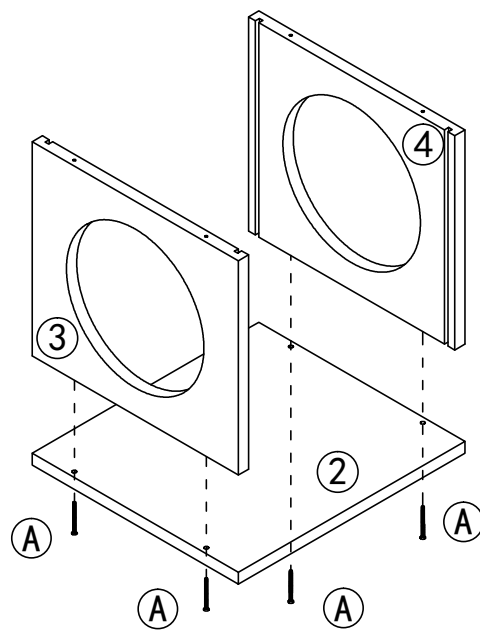
step 2

		
B*2	E*4	F*2

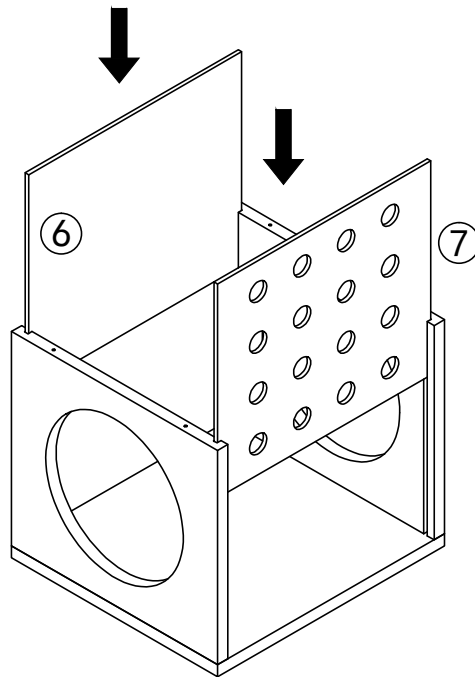


step 3


A*4

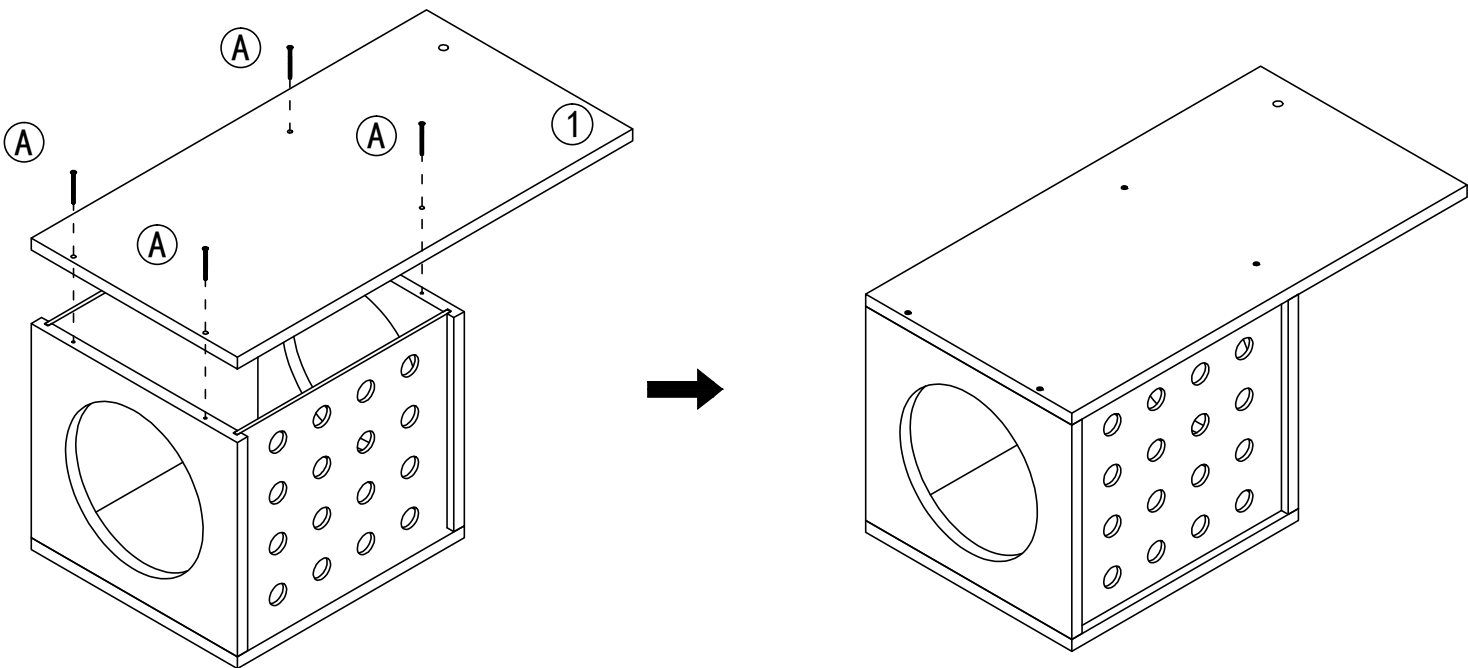


step 4



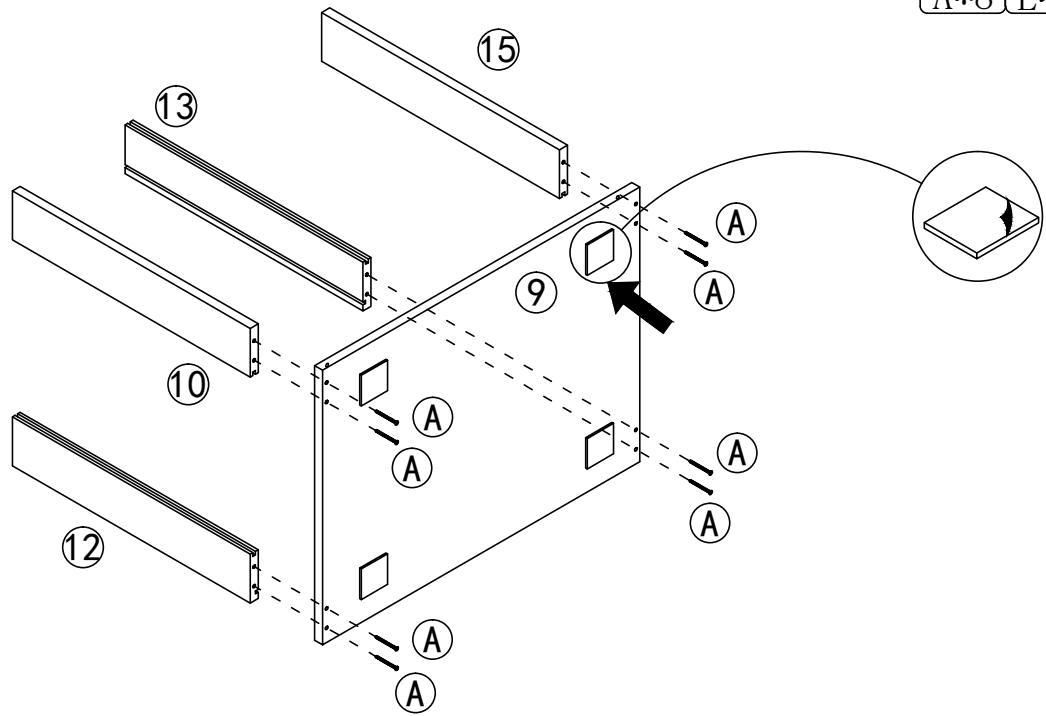
step 5

I  
A\*4

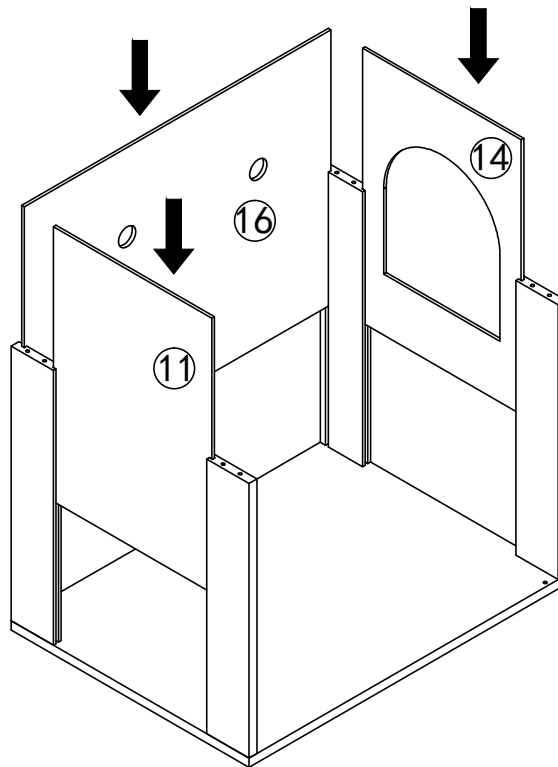


step 6

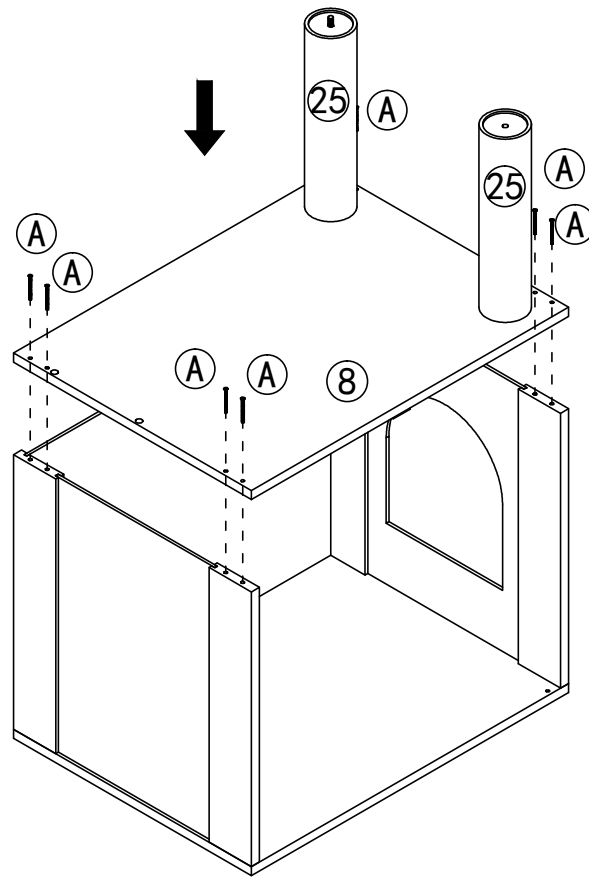
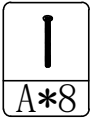
I	◊
A*8	L*4



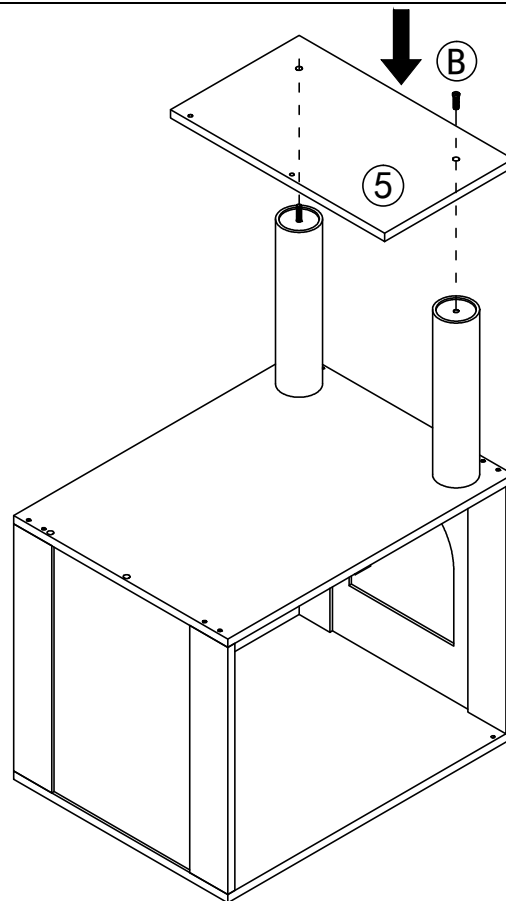
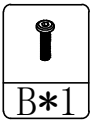
step 7



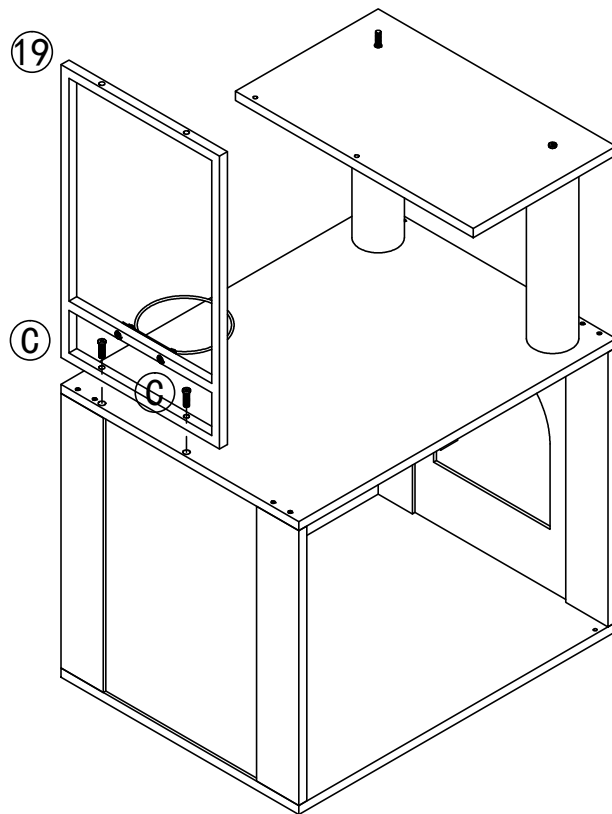
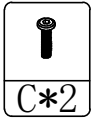
step 8



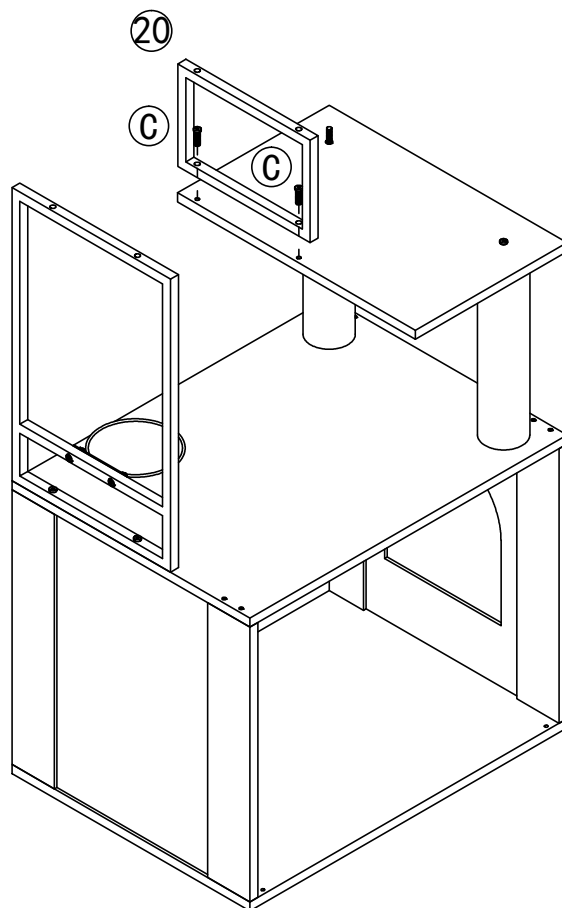
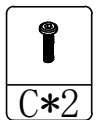
step 9



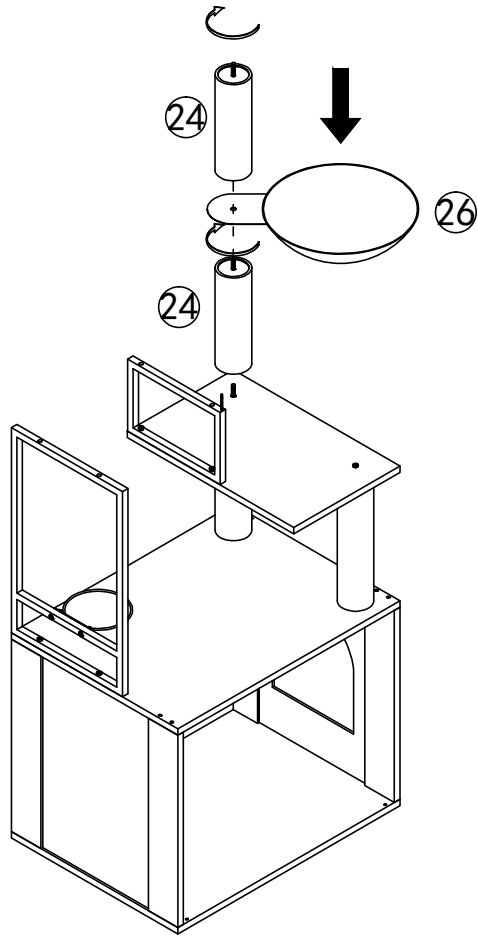
step 10



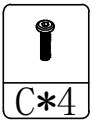
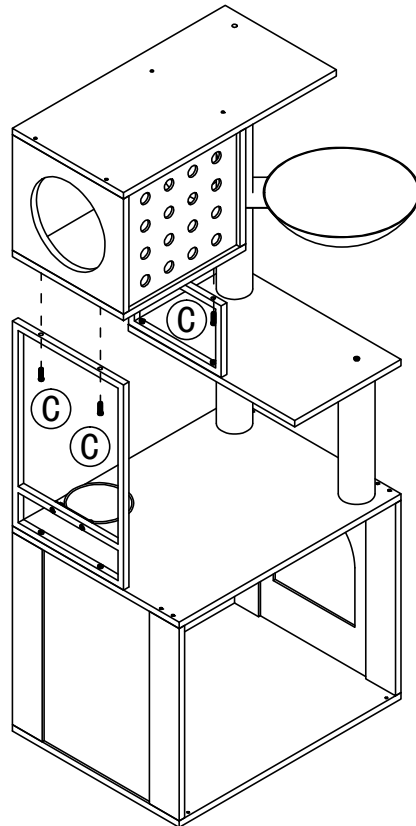
step 11






step 12

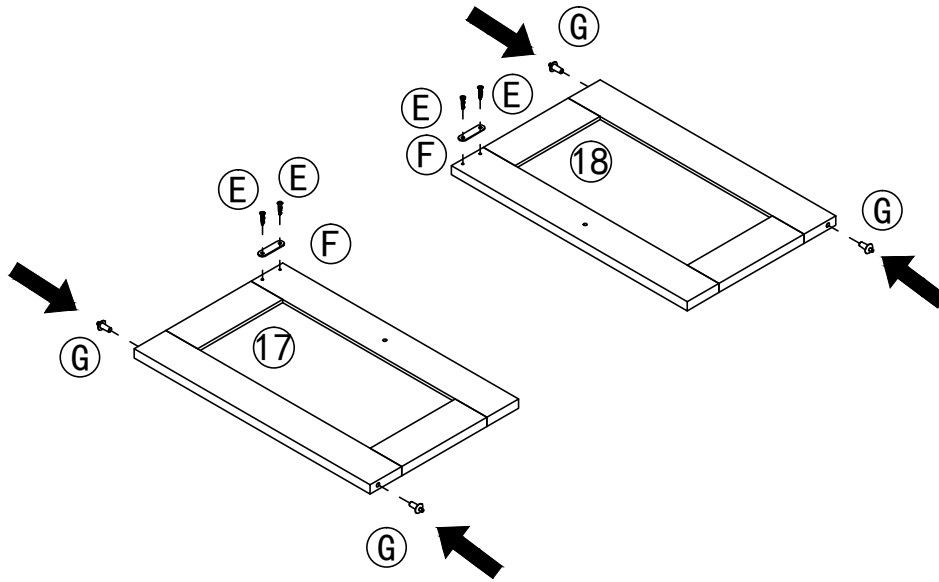


step 13



step 14

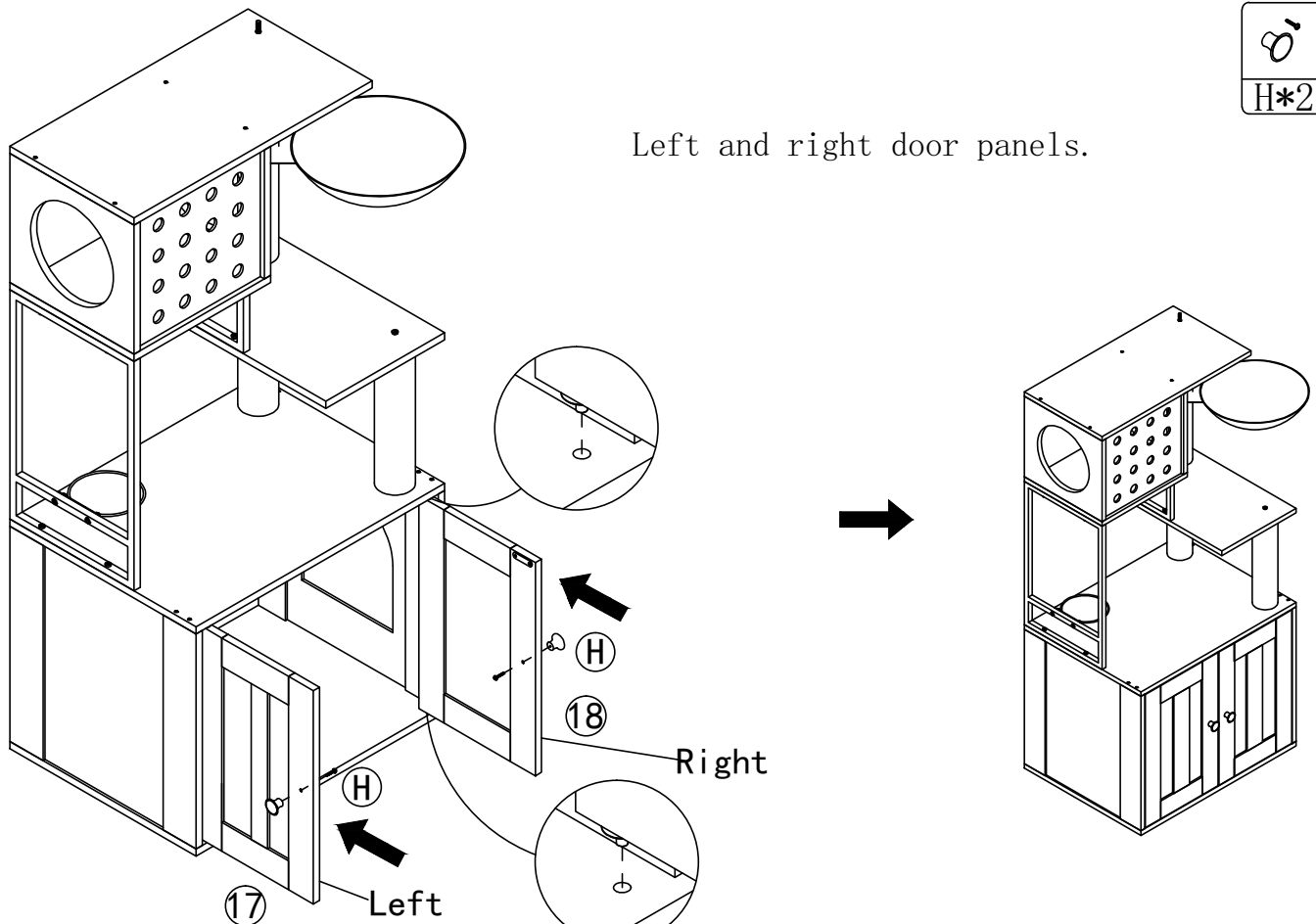
		
E*4	F*2	G*4



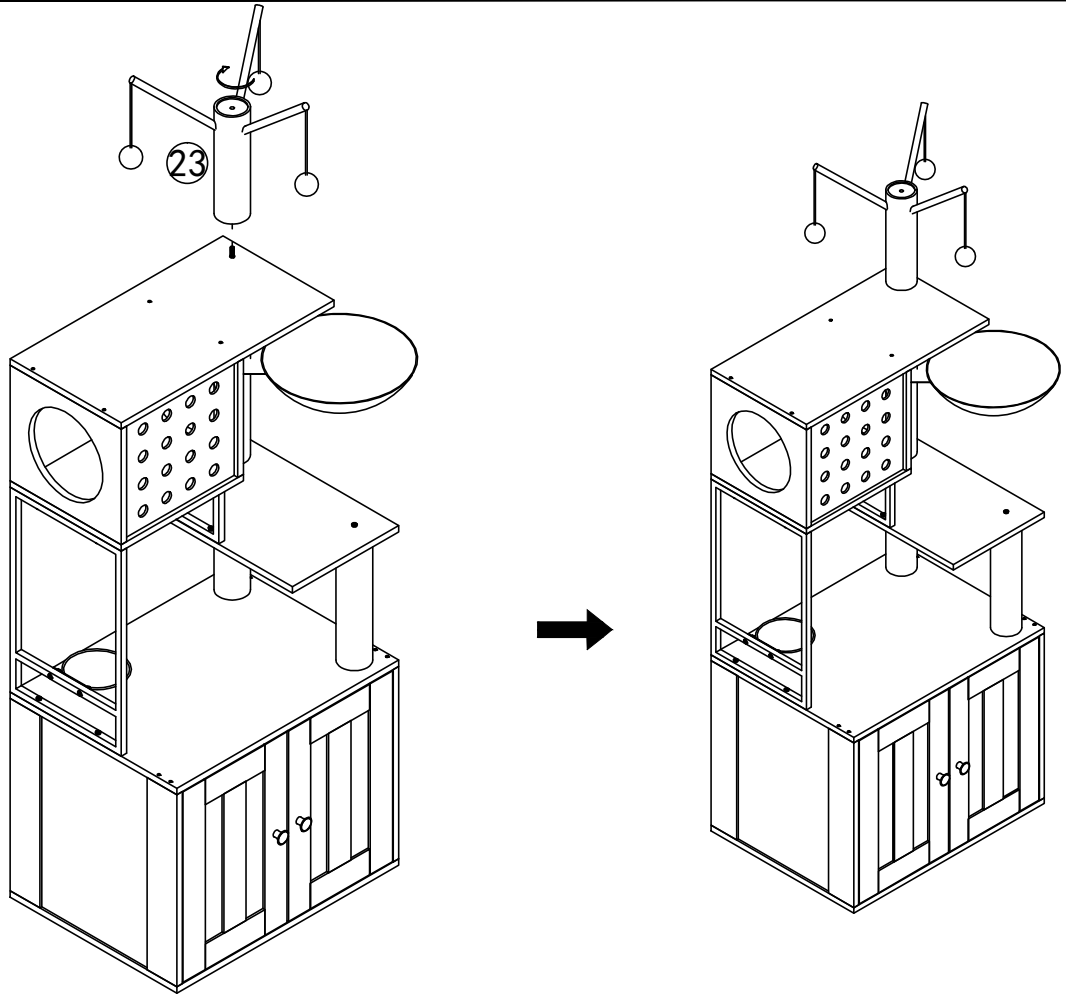
step 15


H*2

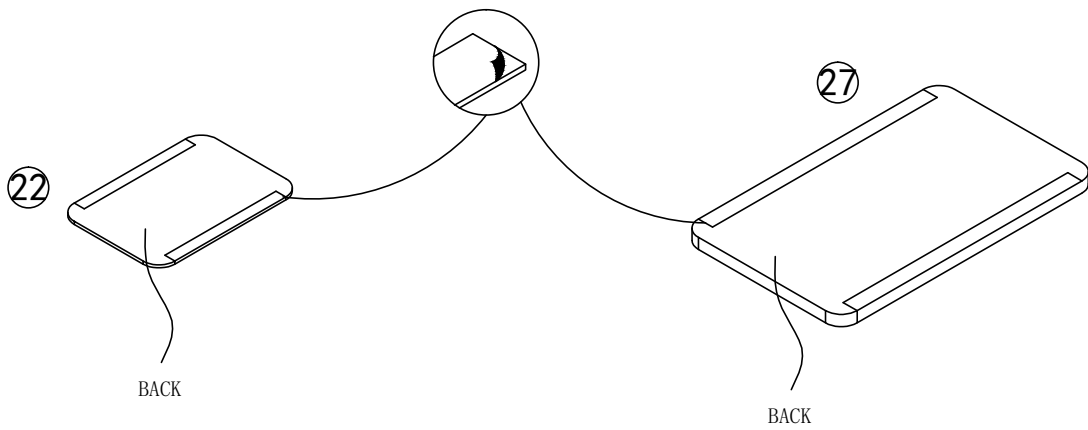
Left and right door panels.

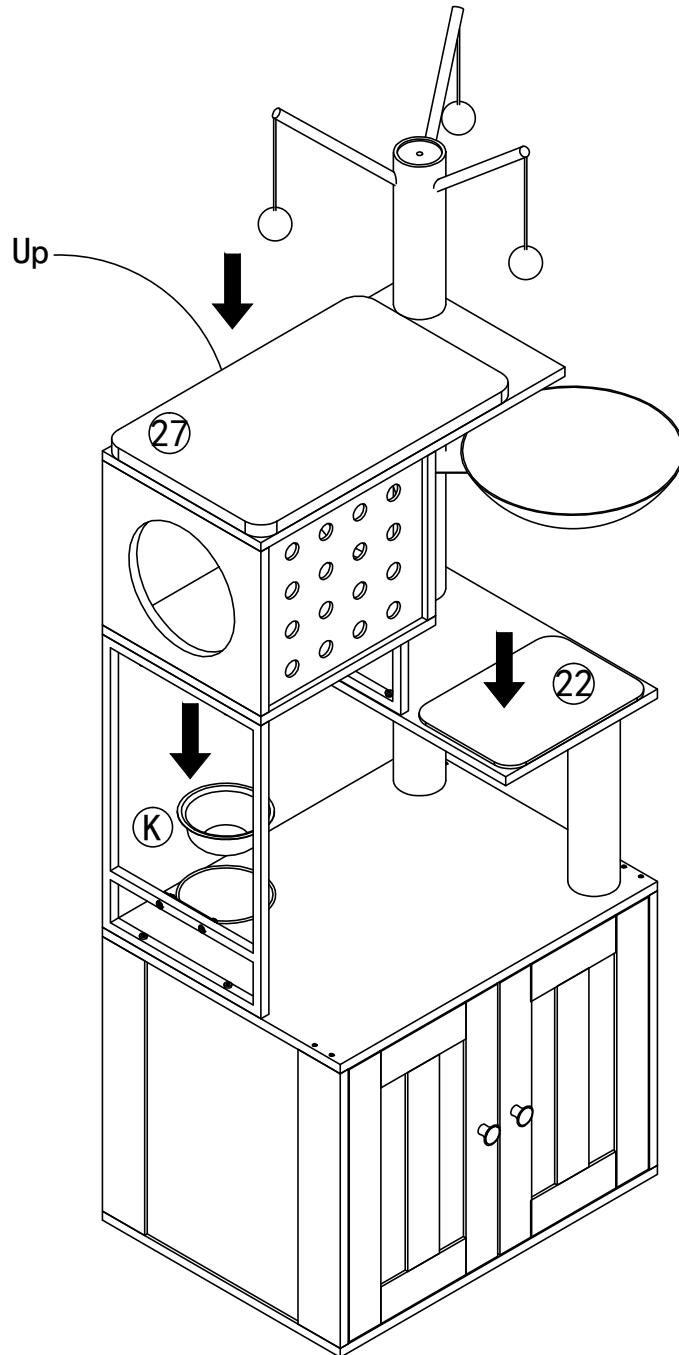
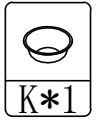


step 16

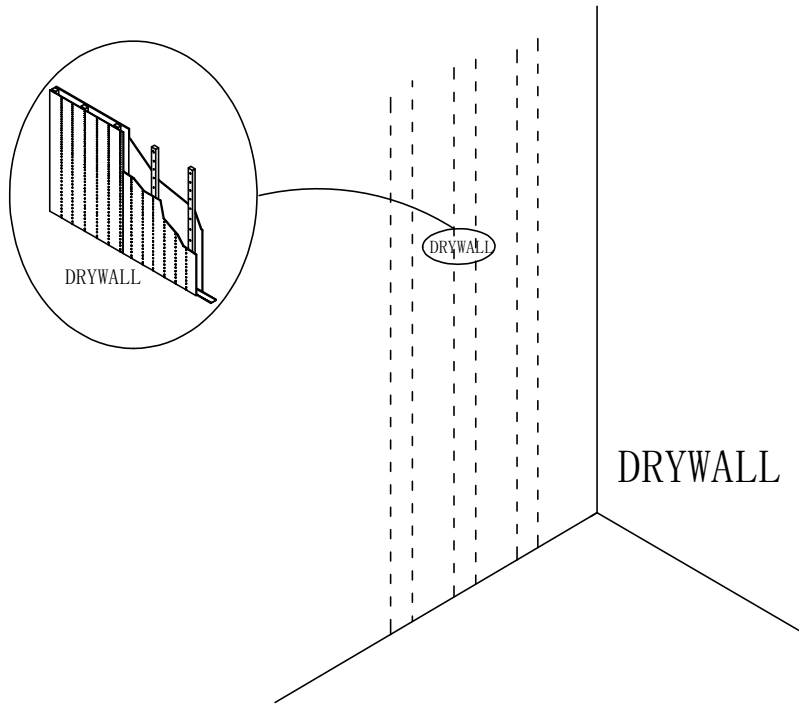


step 17

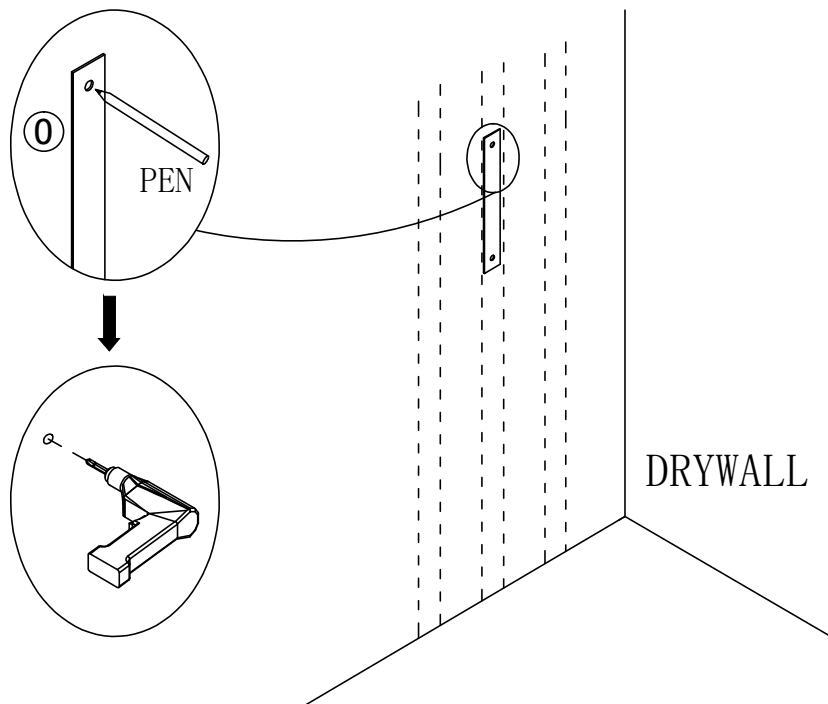







step 19



step 20



step 21

		
M*1	N*1	O*1

