

ASSEMBLY INSTRUCTIONS



BAR UNIT

ASSEMBLY INSTRUCTIONS

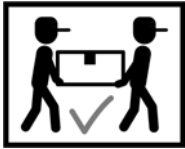
ASSEMBLY TIPS:

1. Remove hardware from box and sort by size.
2. Please check to see that all hardware and parts are present prior to start of assembly.
3. Please follow attached instructions in the same sequence as numbered to assure fast & easy assembly.



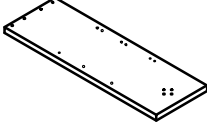
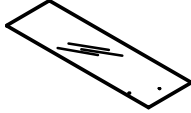
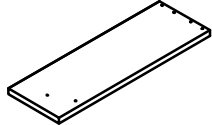


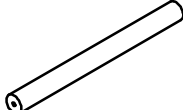
WARNING!

1. Don't attempt to repair or modify parts that are broken or defective. Please contact the store immediately.
2. This product is for home use only and not intended for commercial establishments.



ASSEMBLY TIME 50 MINUTES

PARTS IDENTIFICATION

A	TOP WOOD		1PC
B	SHELF GLASS		2PCS
C	BOTTOM WOOD		1PC
D	SIDE WOOD		1PC
E	CENTER SUPPORT BAR		2PCS
F	LARGE CROSSBAR		2PCS

ASSEMBLY INSTRUCTIONS


PARTS IDENTIFICATION

G BOTTOM CROSSBAR  1PC

H HANGER BRACKET  3PCS

I SMALL CROSSBAR  1PC

HARDWARE IDENTIFICATION

1 CAM-LOCK
(ϕ 15mm)  2PCS


2 CAM-BOLT
(38mm)  2PCS

3 WOOD DOWEL
(10 x 50mm)  4PCS

4 GLASS METAL
(10mm)  4PCS

5 GLASS BOLT
(8 x 8mm)  4PCS

6 SMALL SCREW
(7# x 15mm)  20PCS

7 BOLT
(5/16" x 2-1/2")  3PCS


8 LARGE SCREW
(5.5 x 70mm)  2PCS


9 WASHER
(ϕ 50mm)  5PCS

10 SMALL WASHER
(ϕ 19mm)  1PC

11 SMALL ALLEN BOLT
(1/4" x 1" SR)  1PC

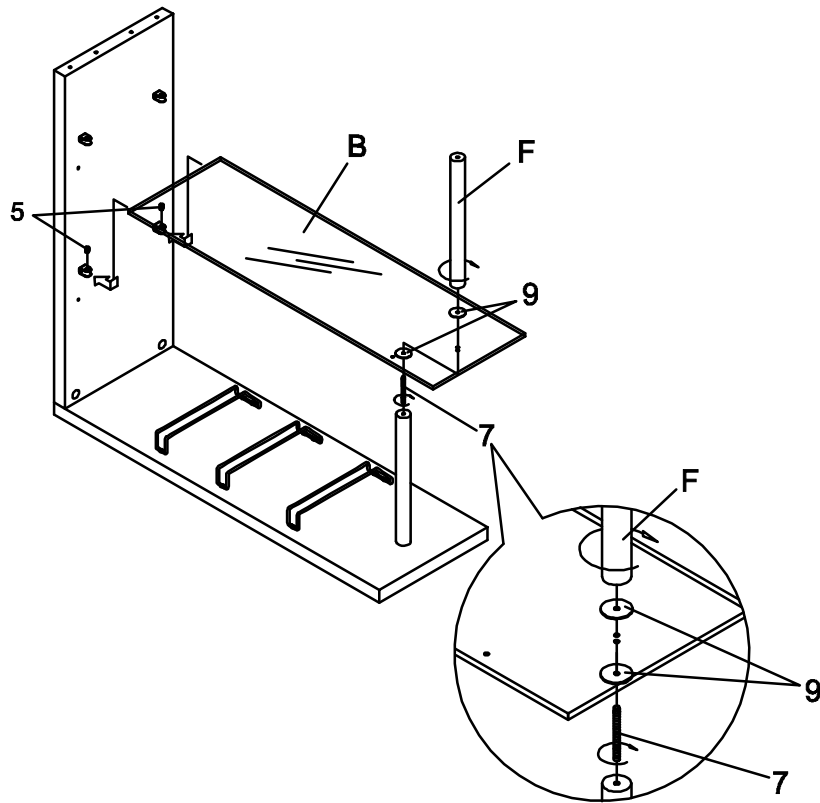
12 ALLEN BOLT
(5/16" x 76mm SR)  1PC

13 FOOT PIN
(ϕ 17mm)  5PCS

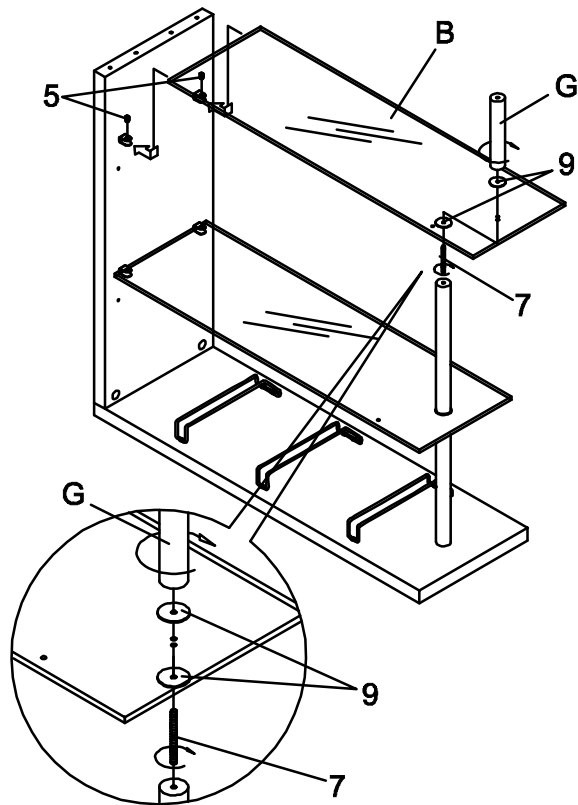
14 STICKER
(ϕ 20mm)  2PCS

ASSEMBLY INSTRUCTIONS

STEP 2

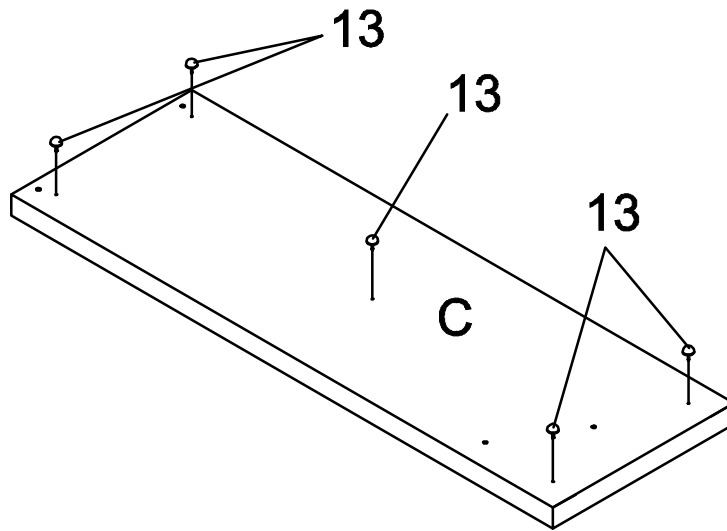


STEP 3

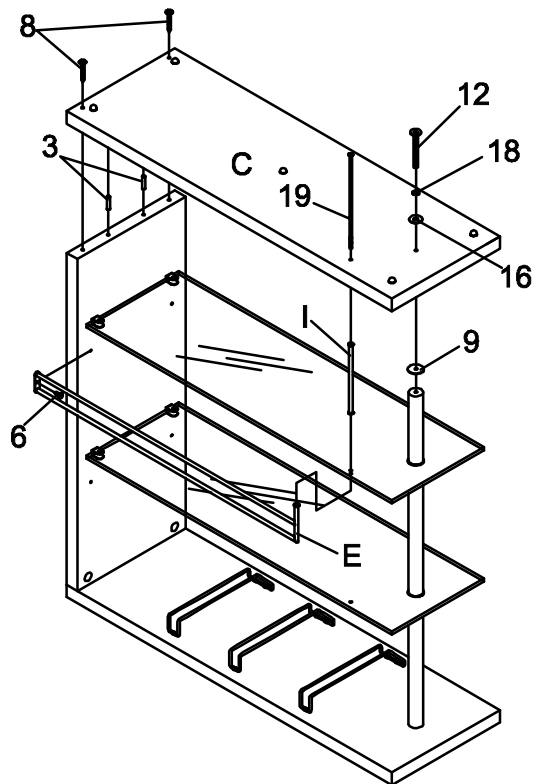


ASSEMBLY INSTRUCTIONS

STEP 4

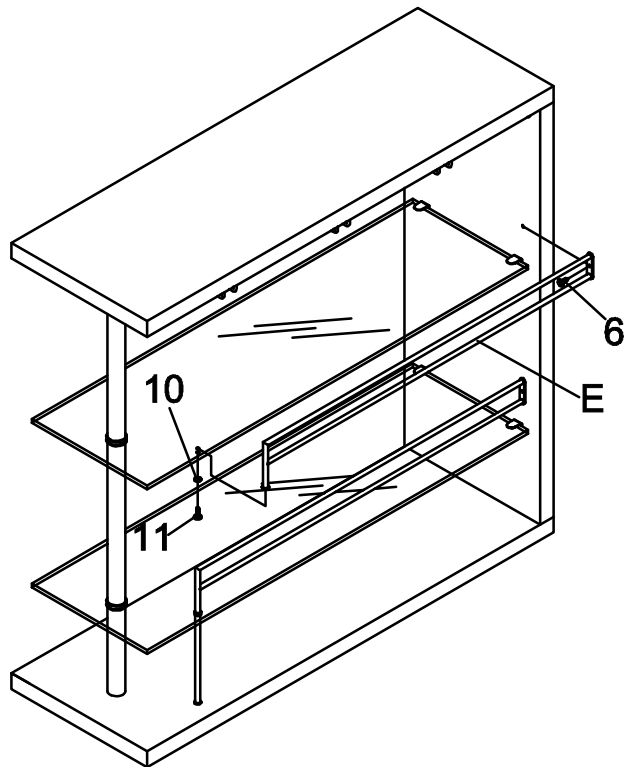


STEP 5

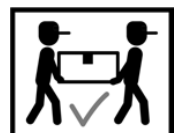
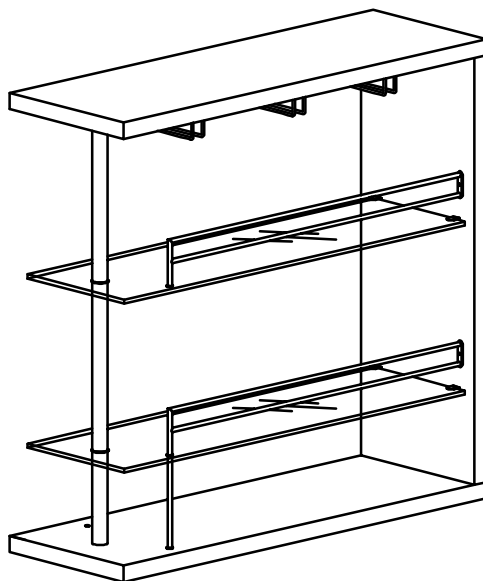


ASSEMBLY INSTRUCTIONS

STEP 6



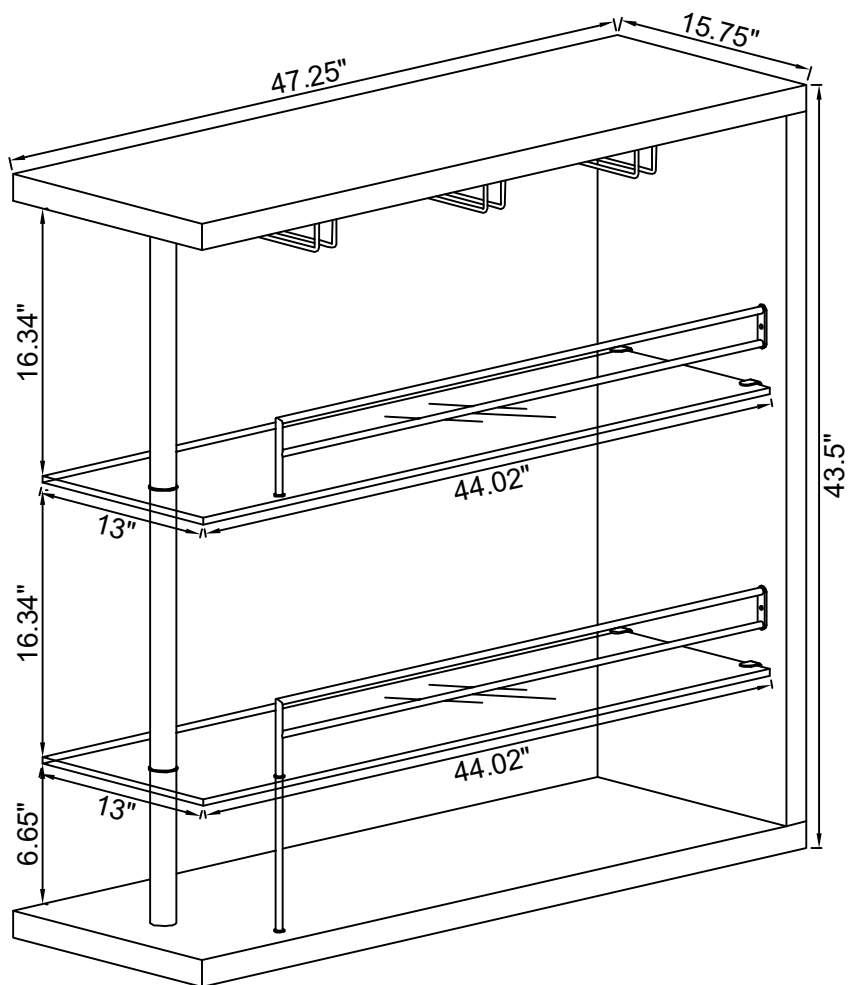
STEP 7



ASSEMBLY INSTRUCTIONS

Product Size : 1200 X 400 X 1105 H (MM)

Product Size : 47 $\frac{1}{4}$ " X 15 $\frac{3}{4}$ " X 43 $\frac{1}{2}$ "



Note : Dimension tolerance $\pm 5\%$