

USER'S MANUAL **SET OF 2 WOODEN SUNLOUNGER** **MIXED WICKER AND SIDE TABLE**

THIS INSTRUCTION BOOKLET CONTAINS **IMPORTANT** SAFETY INFORMATION. PLEASE READ AND KEEP FOR FUTURE REFERENCE.

Please give us a chance to make it right and do better!

Contact our friendly customer service department for help first.
Replacements for missing or damaged parts will be shipped ASAP!

FLOOR AREA
2MX2M

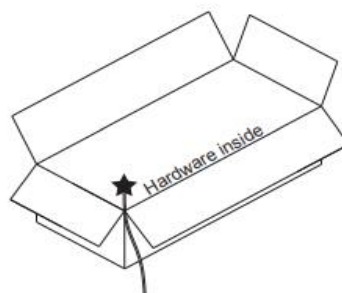


ASSEMBLED BY 2 ADULTS















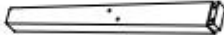
Before You Start


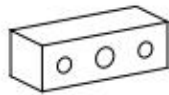

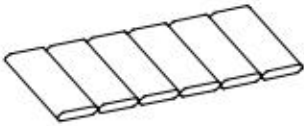



- ⚠ Read each step carefully before starting. It is very important to ensure each step followed in correct order, otherwise assembly difficulties may occur.
- ⚠ Most of board parts are labeled or stamped on the raw edges. Have a check to make sure all parts are included.
- ⚠ Work in a spacious area, preferably on a carpet close to where the unit will be used.
- ⚠ Keep the handtools close at hand. Do not use power tools to assemble your furniture. They may scratch or damage the parts.












Component List

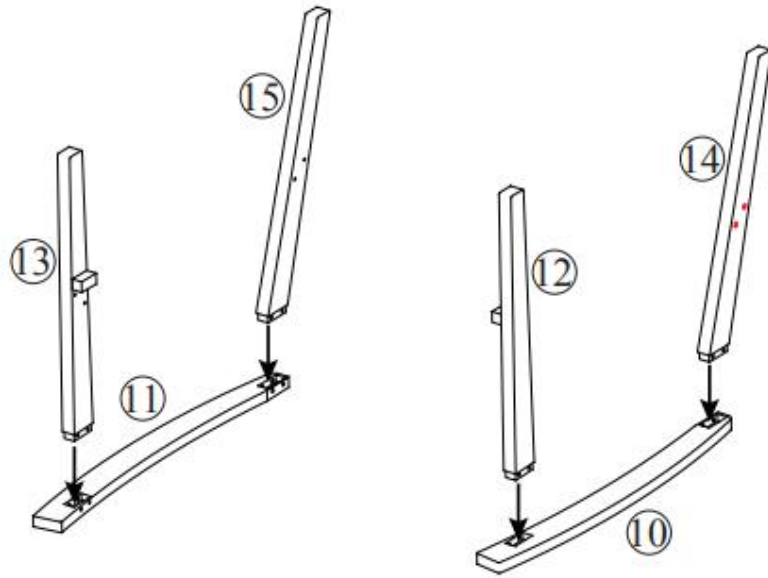
 <p>① Seat-frame A x2 pcs</p>	 <p>② Seat-frame B x2 pcs</p>	 <p>③ Backrest-frame x2 pcs</p>
 <p>④ Right-front rail x2 pcs</p>	 <p>⑤ Left-front rail x2 pcs</p>	 <p>⑥ Front apron x2 pcs</p>
 <p>⑦ Right-back rail x2 pcs</p>	 <p>⑧ Left-back rail x2 pcs</p>	 <p>⑨ Back apron x2 pcs</p>
 <p>⑩ Right armrest x2 pcs</p>	 <p>⑪ Left armrest x2 pcs</p>	 <p>⑫ Right-front leg x2 pcs</p>
 <p>⑬ Left-front leg x2 pcs</p>	 <p>⑭ Right-back leg x2 pcs</p>	 <p>⑮ Left-back leg x2 pcs</p>

 <p>16 Bottom supporter x4 pcs</p>	 <p>17 Wooden support connector x4 pcs</p>	 <p>18 Adjustment frame x2 pcs</p>
 <p>19 Cushion x2 pcs</p>	 <p>20 Side table x1 pc</p>	

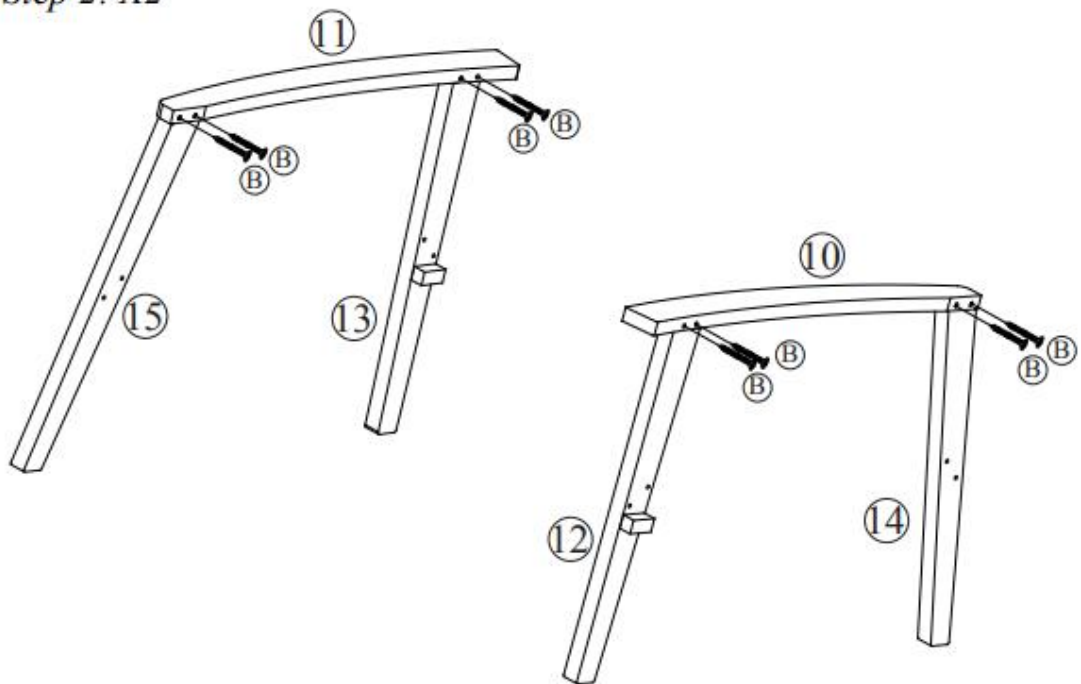
Hardware list

 <p>A M4x20 Screw x28 pcs</p>	 <p>B M4x35 Screw x16 pcs</p>	 <p>C M5x50 Screw x8 pcs</p>
 <p>D M6x15 Screw x16 pcs</p>	 <p>E M6x35 Bolt x24 pcs</p>	 <p>F M6x45 Bolt x8 pcs</p>
 <p>G Washer 5mm x8 pcs</p>	 <p>H M6x40 x4 pcs</p>	 <p>I Allen key x2 pcs</p>

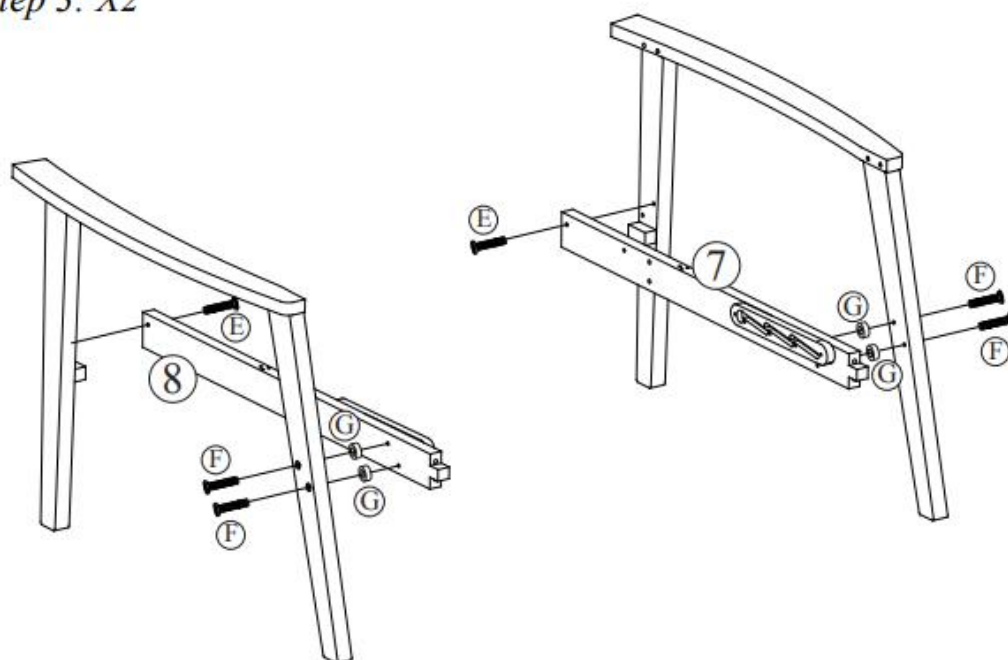
Step 1: X2



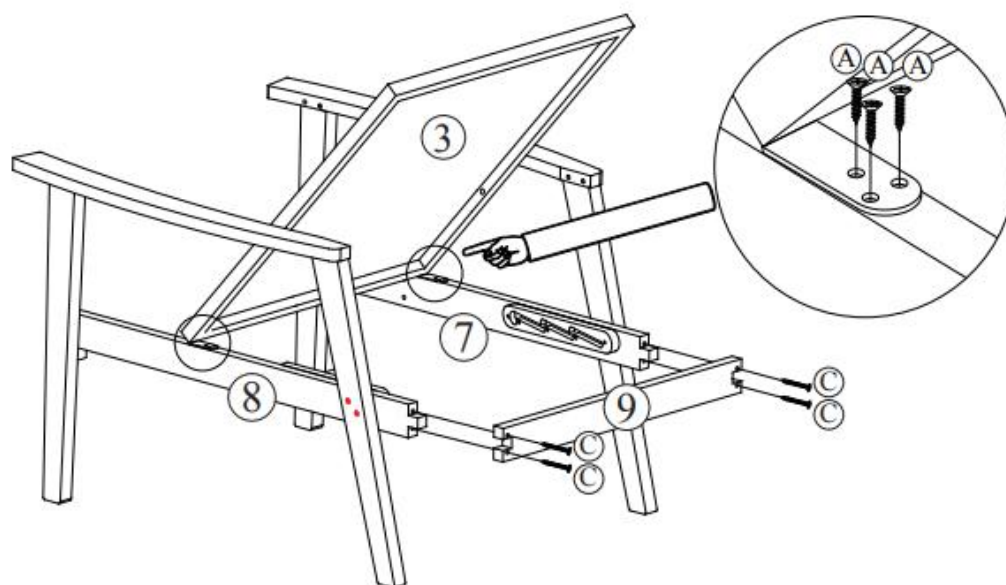
Step 2: X2



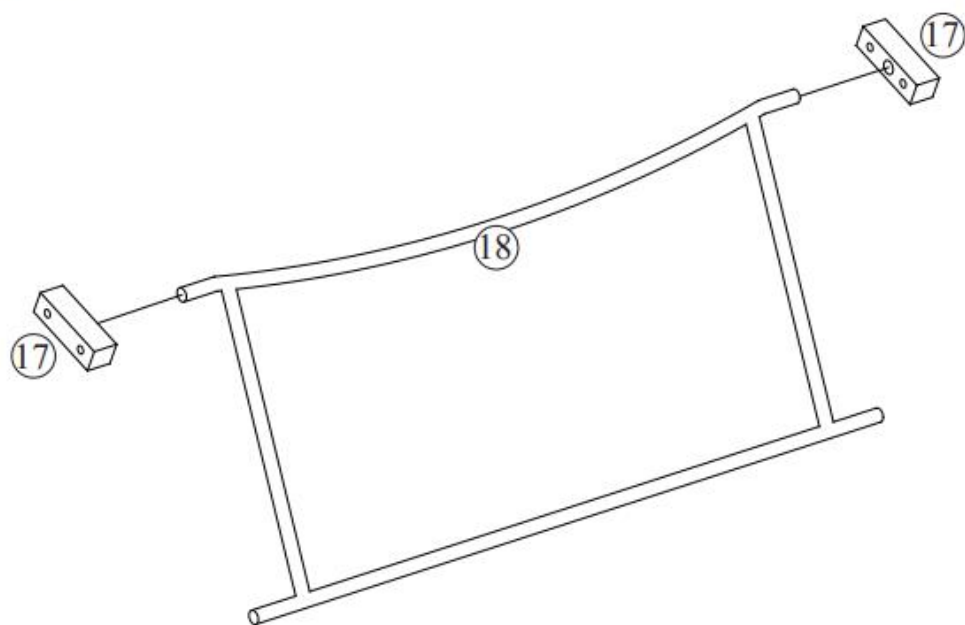
Step 3: X2



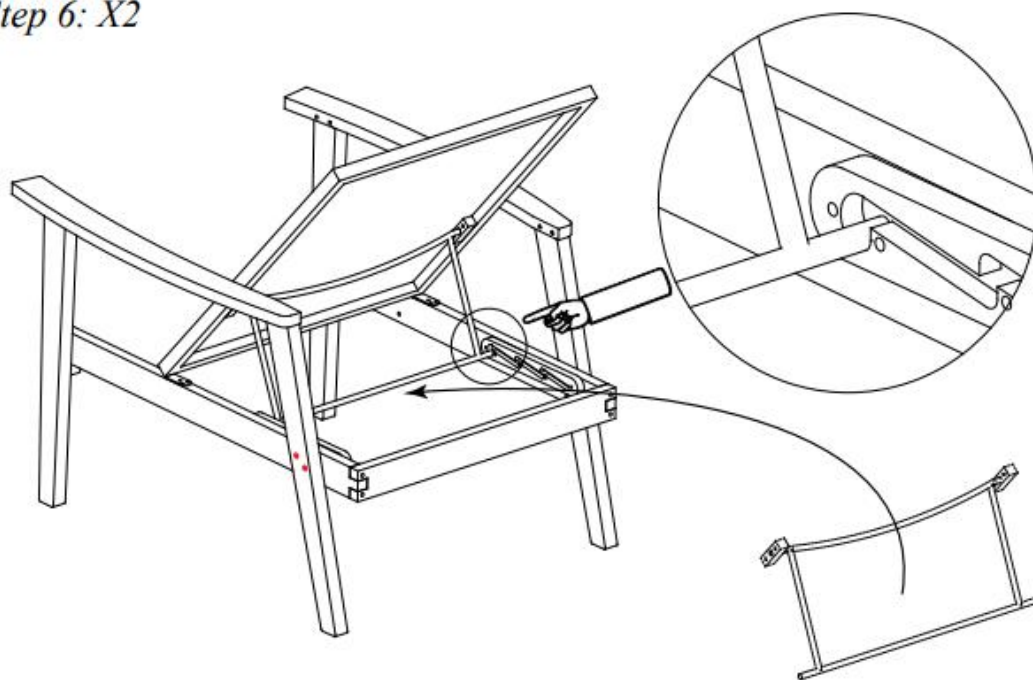
Step 4: X2



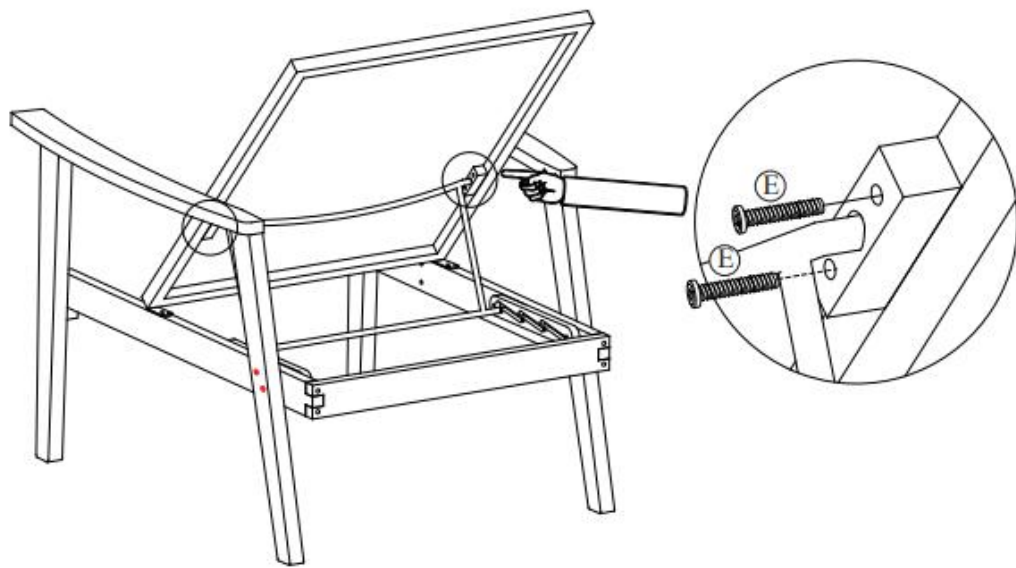
Step 5: X2



Step 6: X2



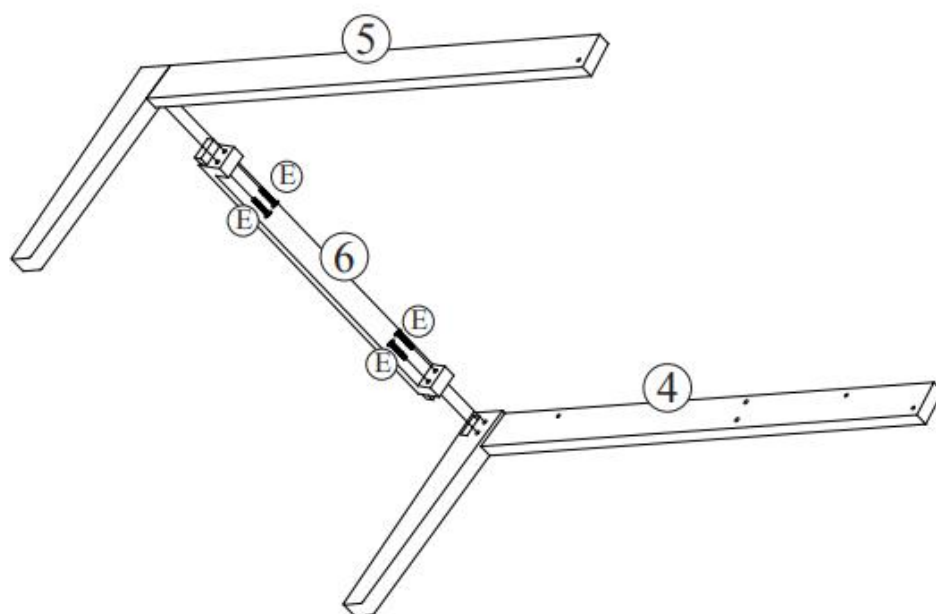
Step 7: X2



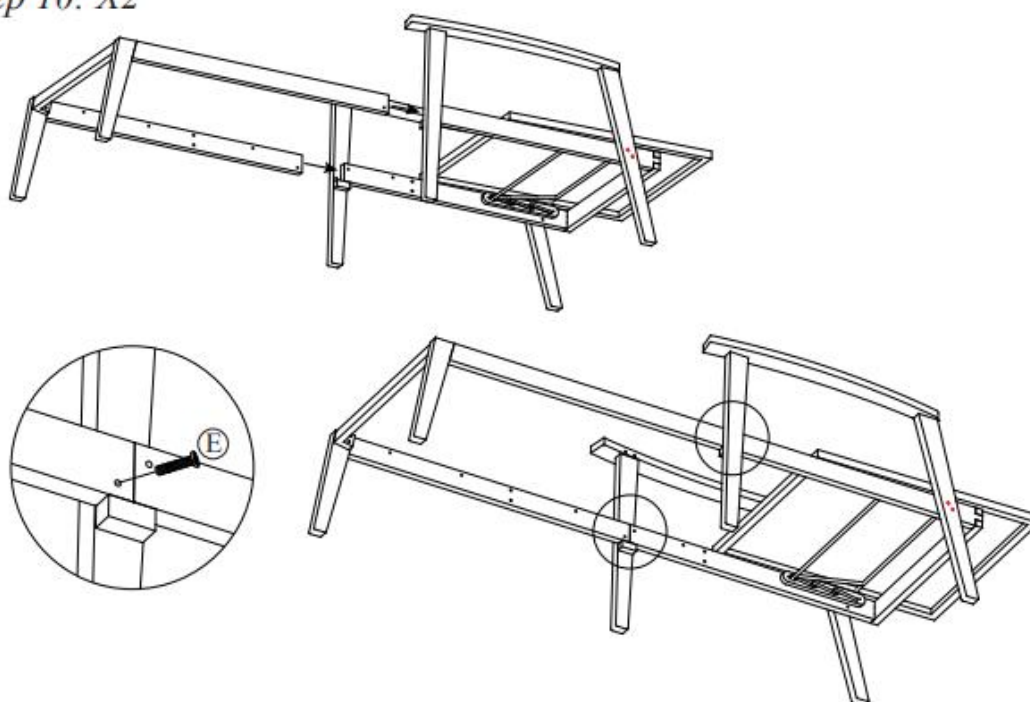
Step 8: X2



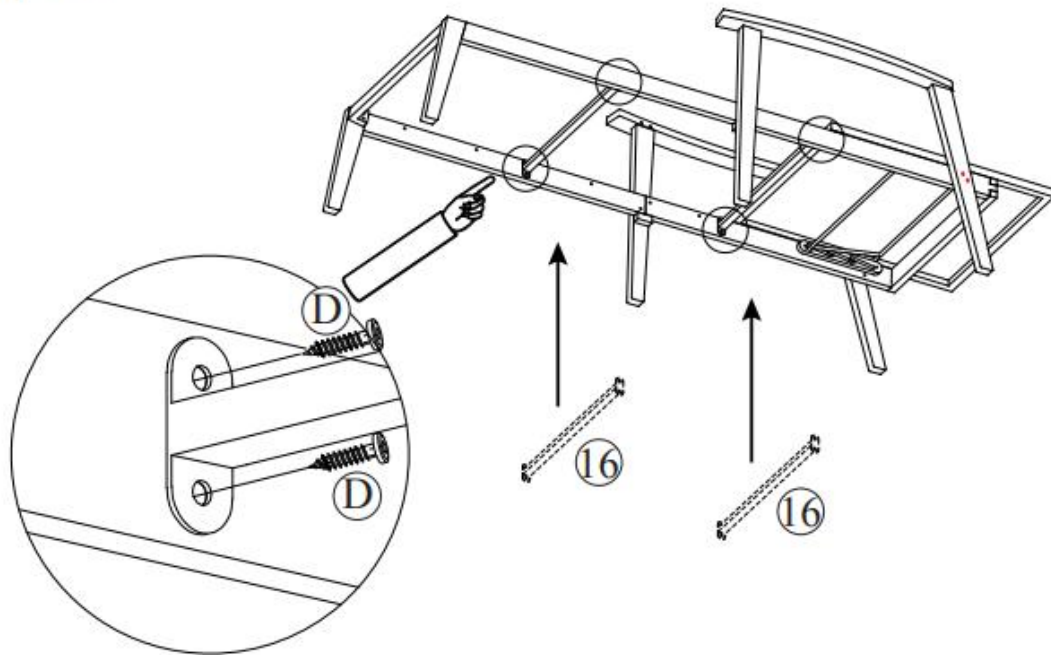
Step 9: X2



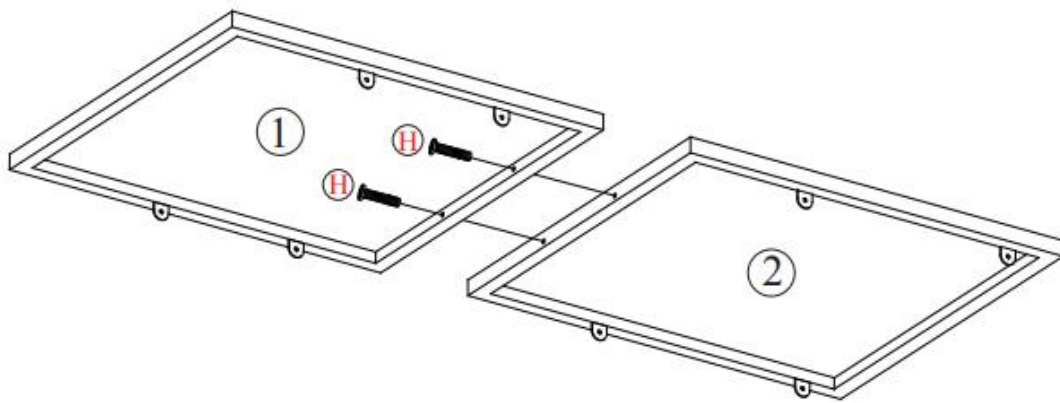
Step 10: X2



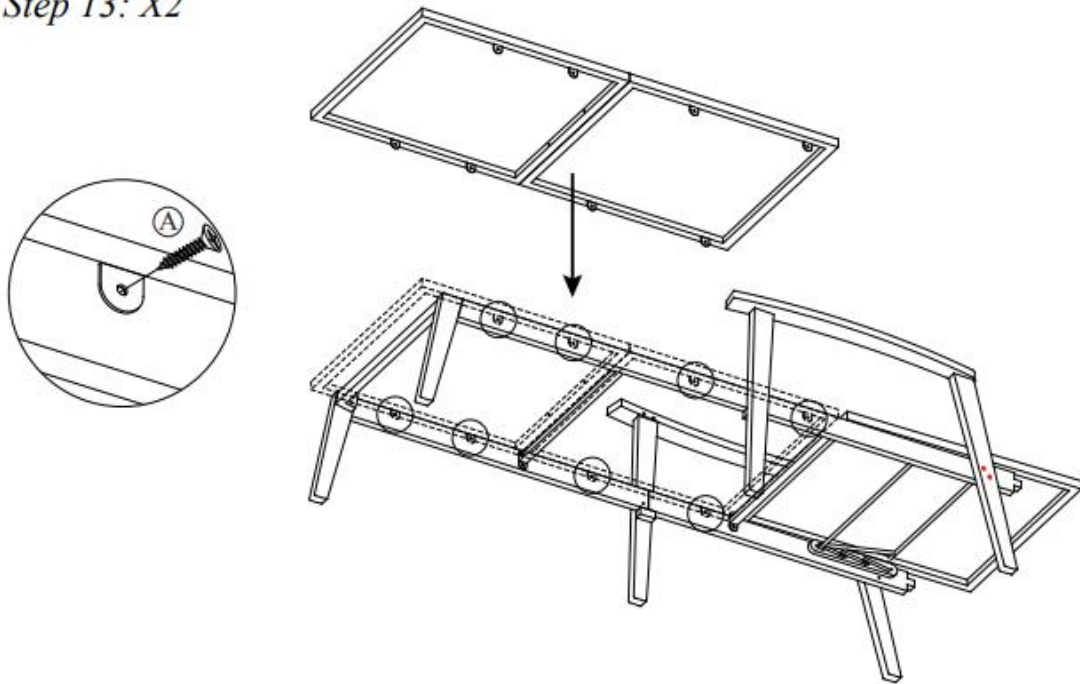
Step 11: X2



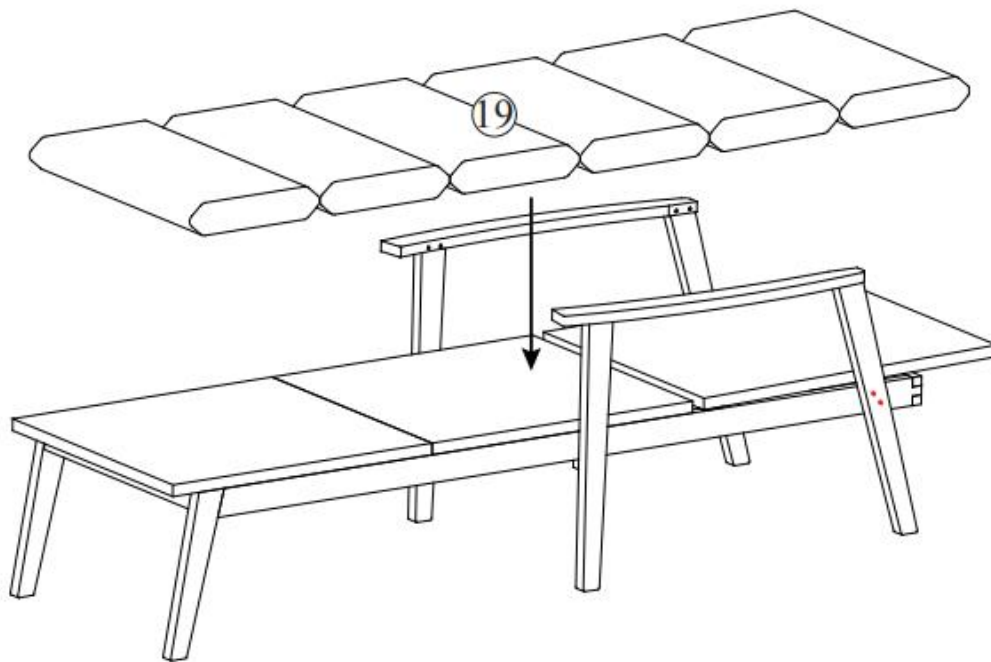
Step 12: X2



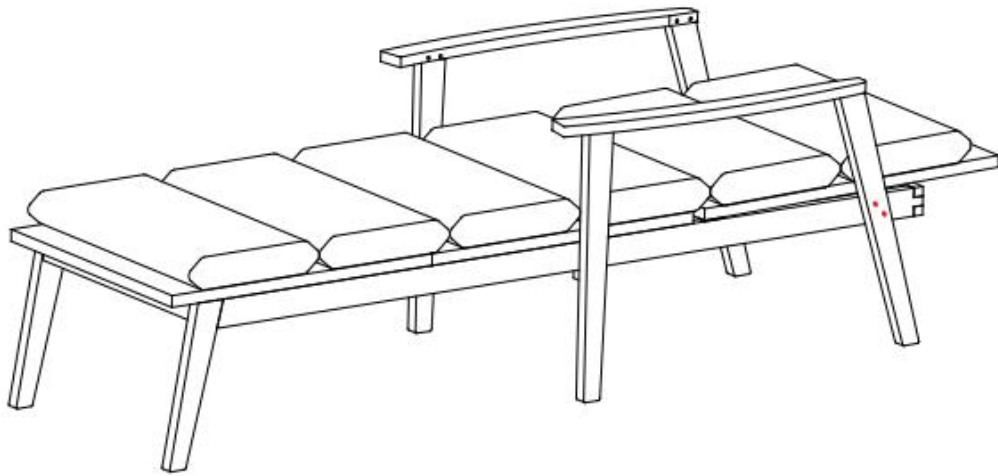
Step 13: X2



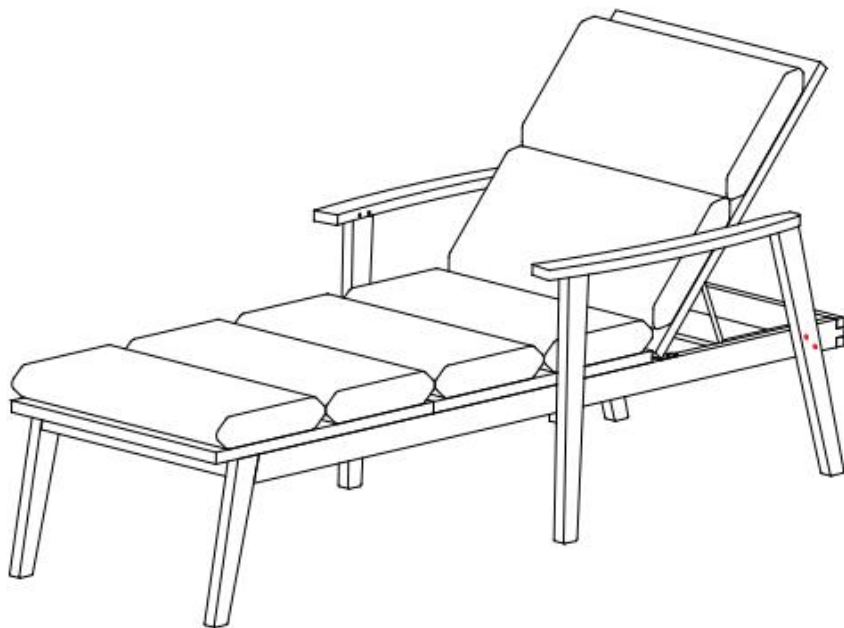
Step 14: X2



Step 15: X2

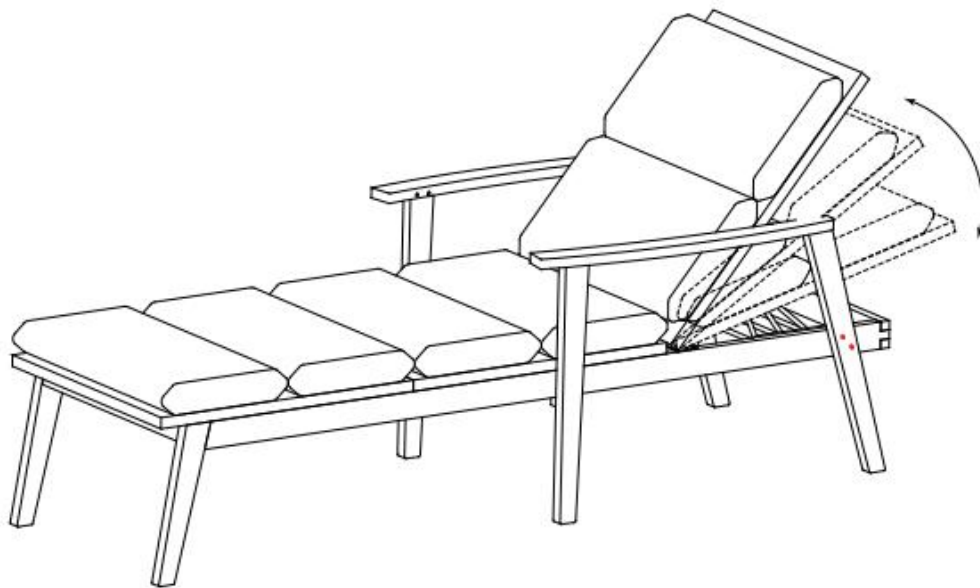


Step 16: X2

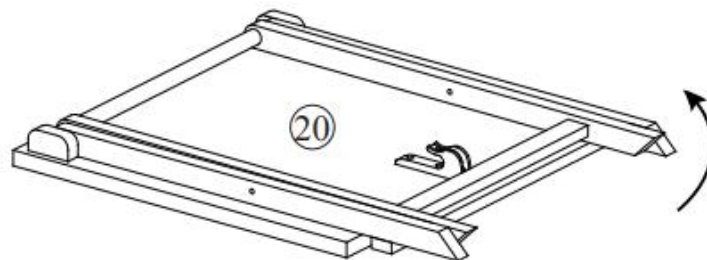


Step 17: X2

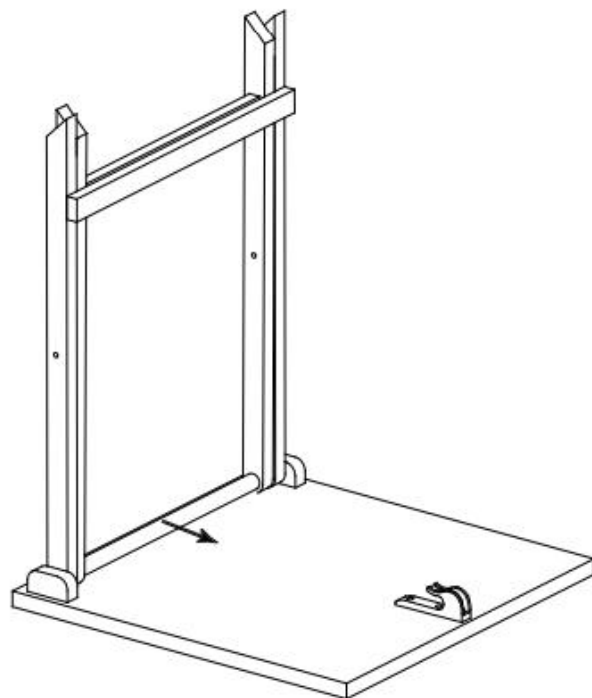
The backrest can be adjusted for feeling comfortable.



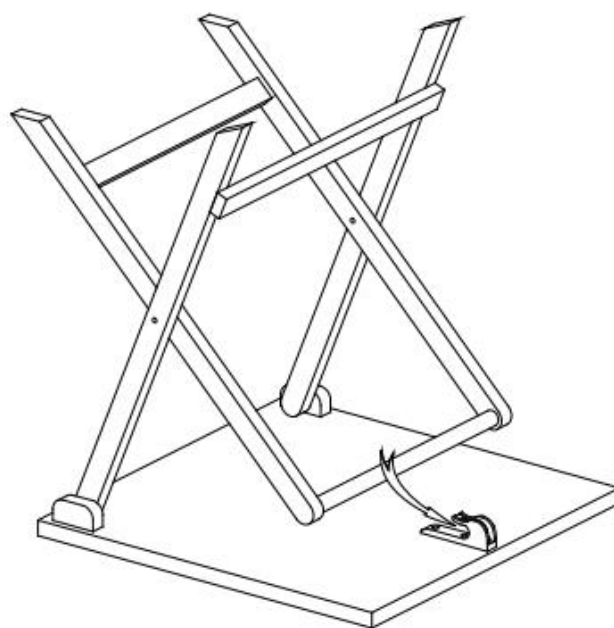
Step 18:

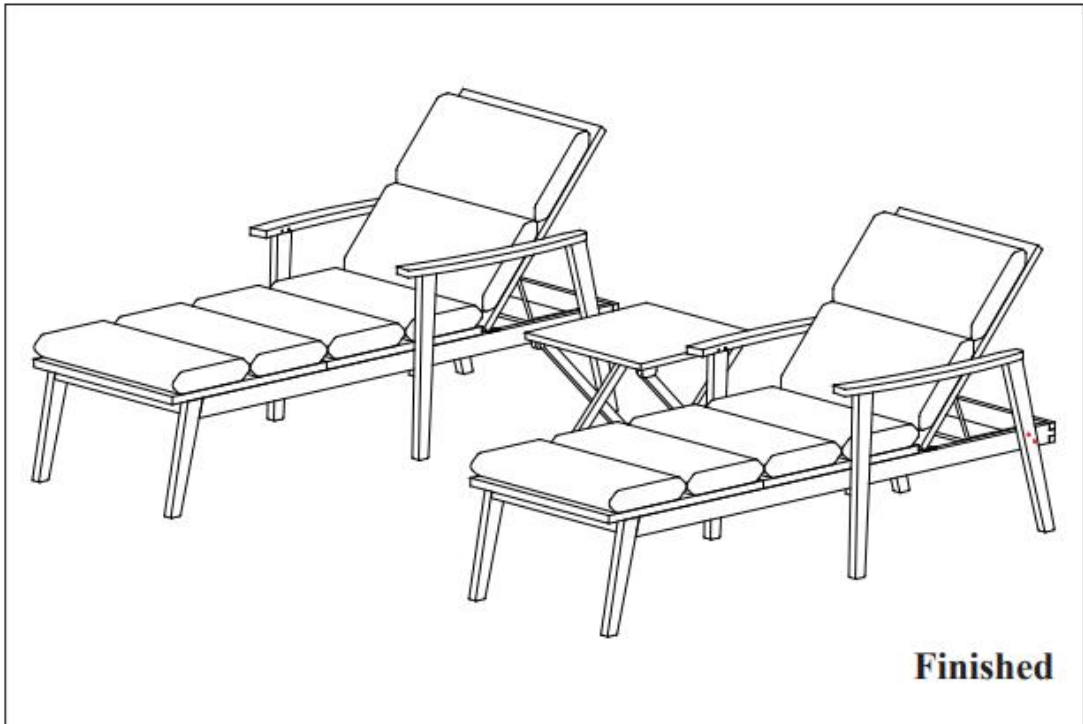


Step 19



Step 20





Finished

Care and Maintenance

Use a soft, clean cloth that will not scratch the surface when dusting.

Use of furniture polish is not necessary.

Should you choose to use polish, test first in an inconspicuous area.

Using solvents of any kind on your furniture may damage the finish.

Liquid spills should be removed immediately. Using a soft clean cloth, blot the spill gently. Avoid rubbing.

Check bolts/screws periodically and tighten them if necessary.

Further advice about wood furniture care

Please protect your outdoor furniture with a cover when not in use since Long-term sunlight exposure will result in the damage on the surface.

In addition to sunlight damage, wood and metal frame suffers when exposed to extremes in temperature and humidity.

Proper care and cleaning at home will extend the life of your purchase.

Following these important and helpful tips will enhance your furniture as it ages.