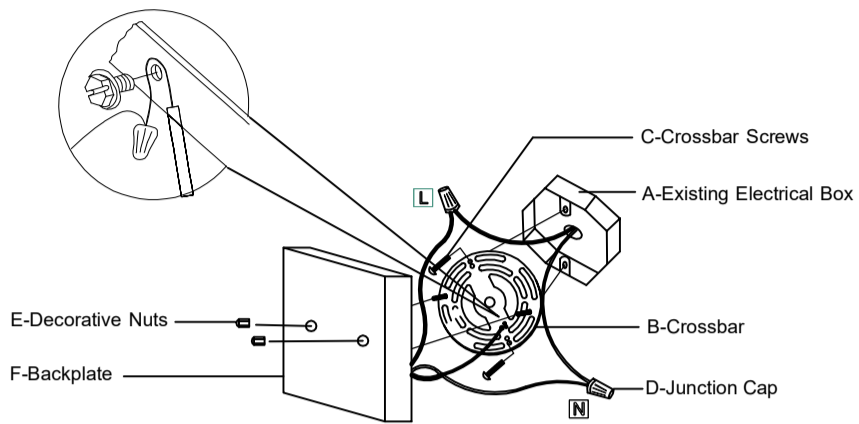


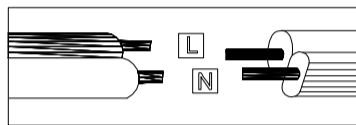
# MOUNTING AND WIRING

**WARNING:**

Improper installation may cause electrical shock, fire, or equipment damage. The person performing the installation must be familiar with the construction and operation of the product and associated hazards



Wire Connection Diagram:



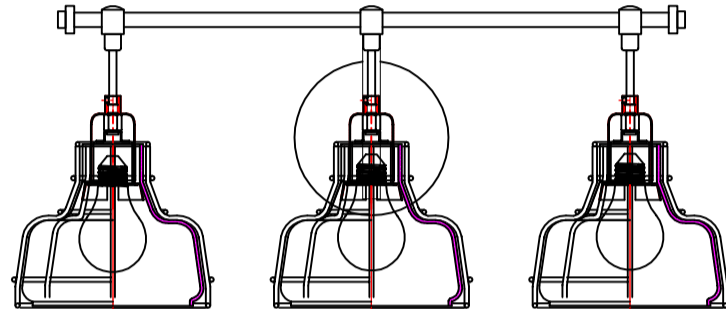
**Please proceed in an alphabetical order:**

- Attach the Round Crossbar (B) on the Electrical Box (A) with Crossbar screw (C).
- Secure the Ground Wire on the Round Crossbar (B).
- Connect the power source wire (L) & (N) with black & white main wire with Junction Cap (D).
- Secure the fixture Backplate (F) on the Round Crossbar (B) with Decorative Nute (E).

# INSTALLATION INSTRUCTIONS

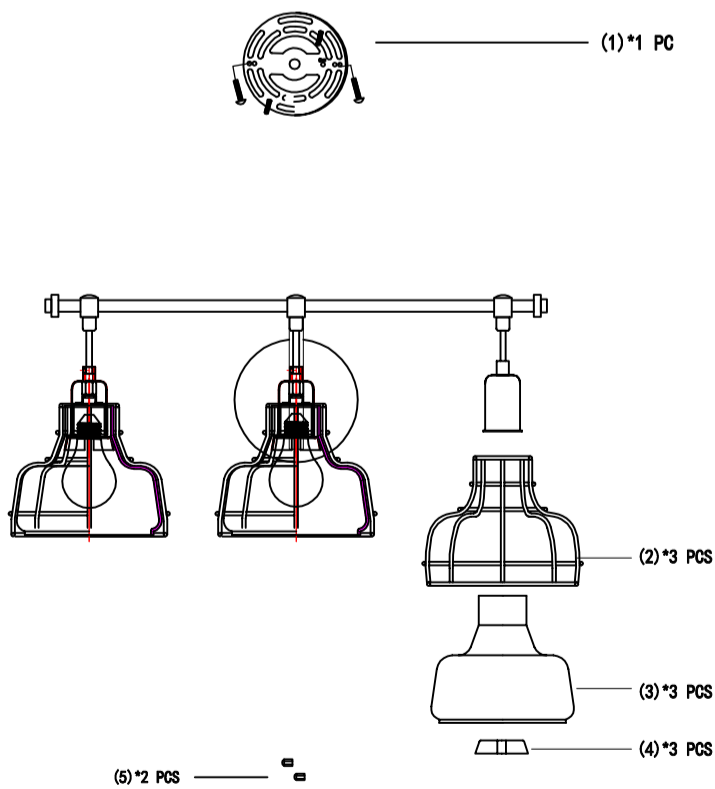
**IMPORTANT SAFETY INSTRUCTIONS:**

- Please read through all the instructions carefully and completely before beginning assembly and installation
- This product must be installed in accordance with installation instructions and all safety and building codes. It is strongly suggested that all direct wired fixtures be installed by a licensed electrician
- Be sure the electricity to the wires you are working on is shut off, either the fuse is removed or the circuit breaker is turned off. Turning the power off using the light switch is not sufficient to prevent electrical shock



# PART LIST AND ASSEMBLY ILLUSTRATION

Note : Some parts may be pre-installed or pre-assembled.



# ASSEMBLING, INSTALLATION, AND MOUNTING

