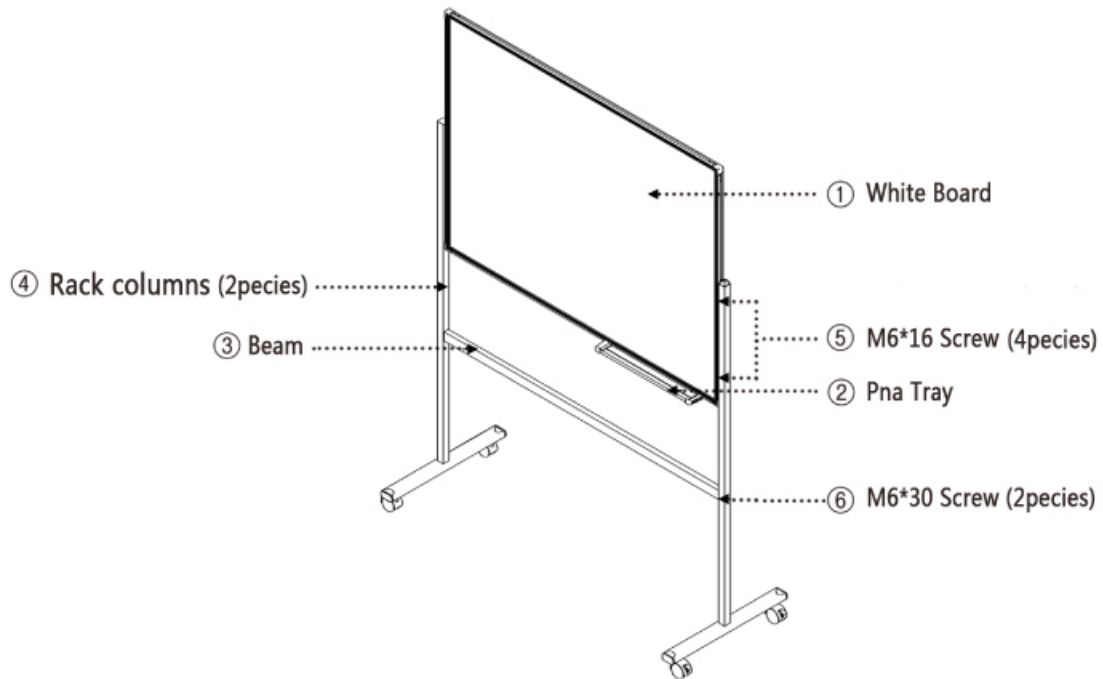

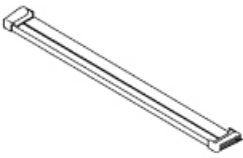
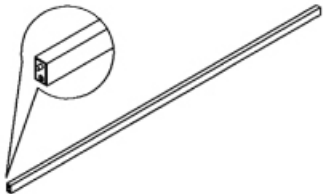




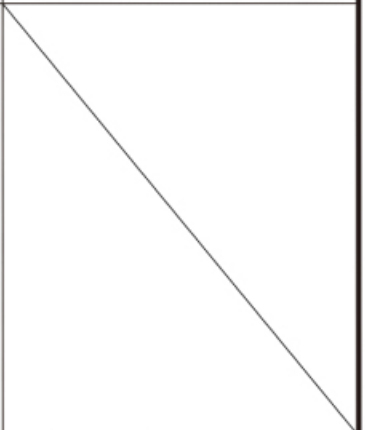


T2613-D DOUBLE SIDES MOBILE WHITEBOARD installation instruction

Be sure to read the instructions before assembly and then assembly
Keep the instruction after the completion of the assembly

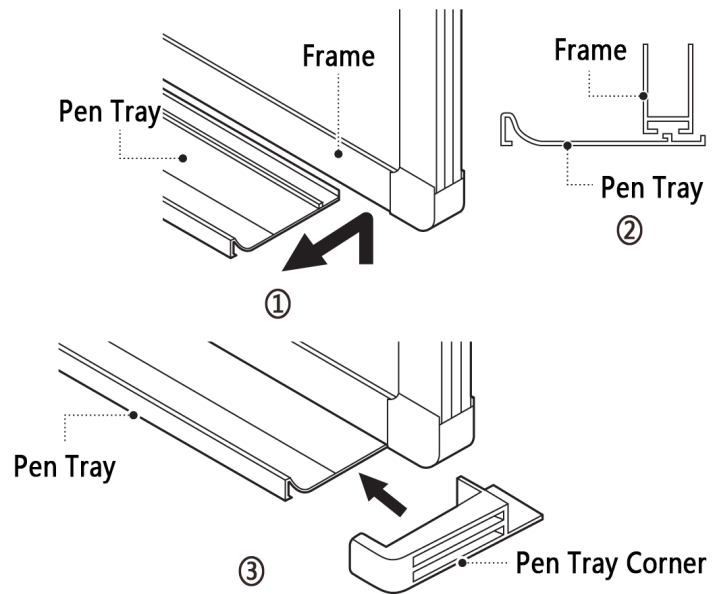
Complete graph of group



<p>① White Board</p> 	<p>② Pen Tray</p> 	<p>③ Beam</p> 	<p>④ Rack columns (2pieces)</p> 
<p>⑤ M6*16 Screw (4pieces)</p> 	<p>⑥ M6*30 Screw (2pieces)</p> 	<p>⑦ Cross screw driver</p> 	

Installing for Pen Tray

- ① Slid the pen tray to the bottom frame, as shown in figure ① ②
- ② Put the pen tray corner at the end of the pen tray as shown in figure ③

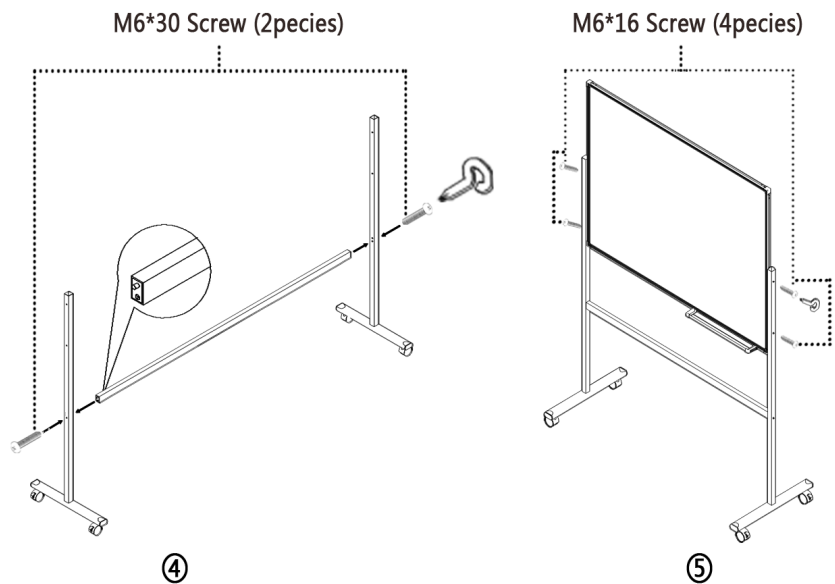


Installing for White Board

- ① Fasten the beam to the rack columns with 2 M6*30 screws as figure ④ shown
- ② Slid white board into the bracket and fix with as shown in figure ⑤ with 4 M6*16 screws.

Note:

Self installation need two people operate on both sides at the same time.



Attention

- ① Keeping the distance between the board and the wall is larger than 18 cm.
- ② Can pull the White board up and down as shown in figure ⑥

