

ASSEMBLY INSTRUCTIONS

DINING CHAIR

IMPORTANT NOTE:

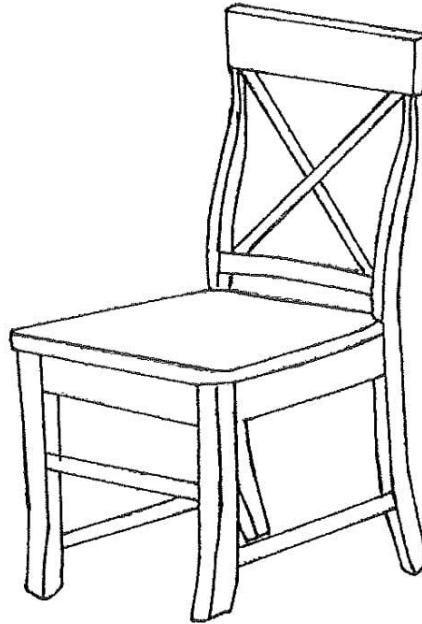
Please read and follow the Assembly Instructions carefully.

- Identify and separate all parts before discarding packaging.
- Place wooden parts on clean soft surface to avoid scratching.
- Do not completely tighten screws until, after final assembly.
- Do not use a power tool for assembly.
- As with all assembled furniture, occasionally check to insure hardware is tight.

TOOL REQUIRED (NOT PROVIDED) PHILIPS SCREWDRIVER

NO	PART LIST	QTY
1	CHAIR BACK	1PC
2	SIDE RAIL (L/R)	2PCS
3	STRETCHER (L/R)	2PCS
4	FRONT LEG	1PC
5	WOODEN SEAT	1PC

NO	HARDWARE LIST	QTY
A	CSK SCREW M4 x 32mm 	3PCS
B	CSK SCREW M4 x 38mm 	4PCS
C	JCBC SCREW M6 x 50mm 	8PCS
D	SPRING WASHER 	8PCS
E	ALLEN KEY 	1PC

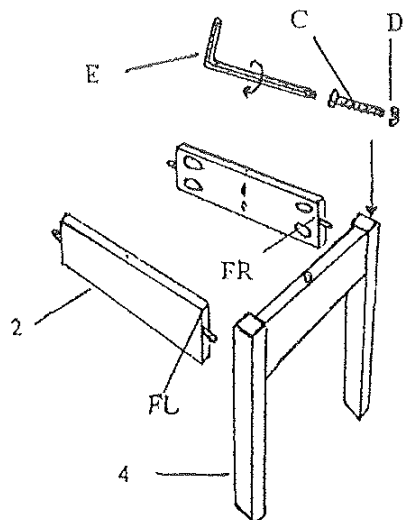


Thank you for purchasing our product!

Please assemble the products with the guidance of this manual instruction. Contact our friendly customer service department with any comments or in case there is any missing or damaged parts or hardware.

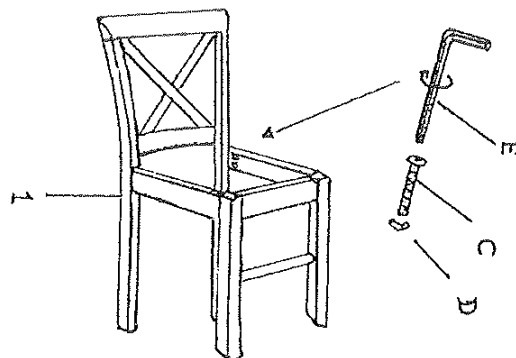
STEP 1

LOOSELY ATTACH (L/R) SIDE RAIL TO FRONT LEG USING BOLT (C) AND SPRING WASHER (D).



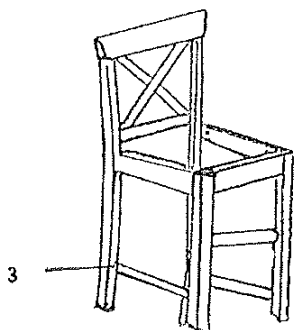
STEP 2

LAY CHAIR BACK OF FLAT SURFACE AND LOOSELY ATTACH (L/R) SIDE RAIL TO CHAIR BACK USING BOLT (C) AND SPRING WASHER (D)



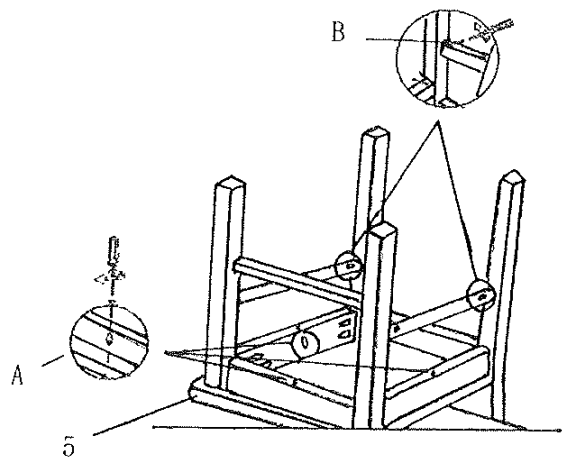
STEP 3

PLACE TWO STRETCHERS IN THE HOLES IN CHAIR BACK ALIGN AND FRAME UP CHAIR USING HAND PRESSURE TO GET STRETCHERS IN PLACE. COMPLETELY TIGHTEN ALL SCREWS



STEP 4

TURN STRETCHERS SO THE PREDRILLED HOLES FACE DOWNWARD AND SECURE USING 38mm SCREWS (B). ATTACH WOODEN SEAT USING 32mm SCREWS (A).



There are no pre-drilled holes to attach the seat