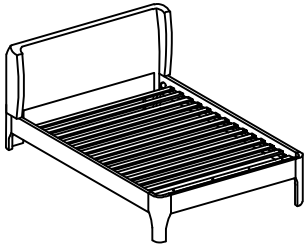


ASSEMBLY INSTRUCTION

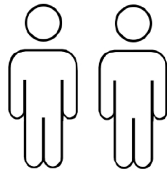
TWIN



+ Do Not Use Power Tools



+ Suggested Adults



NOTE:

- 1 Read instructions cover to cover.
- 2 Save all packaging until assembly is completed.

1 IMPORTANT SAFETY INFORMATION

Do not assemble the product if any of the following parts arrived damaged:

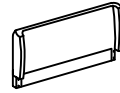
- Part # - Side Rails
- Part # - Center Support Bar
- Part # - Support Legs
- Part # - Slats

2 IMPORTANT ASSEMBLY INFORMATION

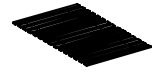
Assembly Step Ensure the side rail bracket is fully hooked onto bolt loosely threaded with both washers on the **OUTSIDE** of the bracket first, then proceed to fully tightening all 4 corners.

+ Parts Included

- ① Headboard (1 of pc) ② Footboard (1 of pc) ③ Side Rail (2 of pcs)



- ④ Headboard Leg (L/R) (2 of pcs) ⑤ Footboard Leg (2 of pcs) ⑥ 13 Pcs Slat (1 of set)

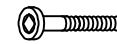


- ⑦ Top Slat (1 of pc)

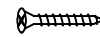


+ Hardware Included

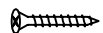
- A JCBC M6x40mm (4 of pcs) B JCBC M6x50mm (6 of pcs) C Allen Key M4 x 65mm (1 of pc)



- D Plastic Dowell 25mm (12 of pcs) E CSK M4 x 32mm (30 of pcs) F Cap Nut (6 of pcs)



- G Spring Washer (10 of pcs) H Flat Washer (4 of pcs) I CSK M3.5 x 16mm (36 of pcs)



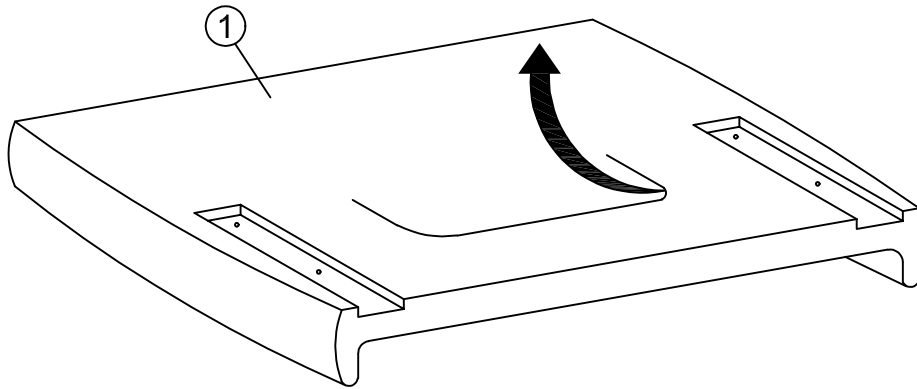
- J Metal Plate (6 of pcs)



ASSEMBLY INSTRUCTION

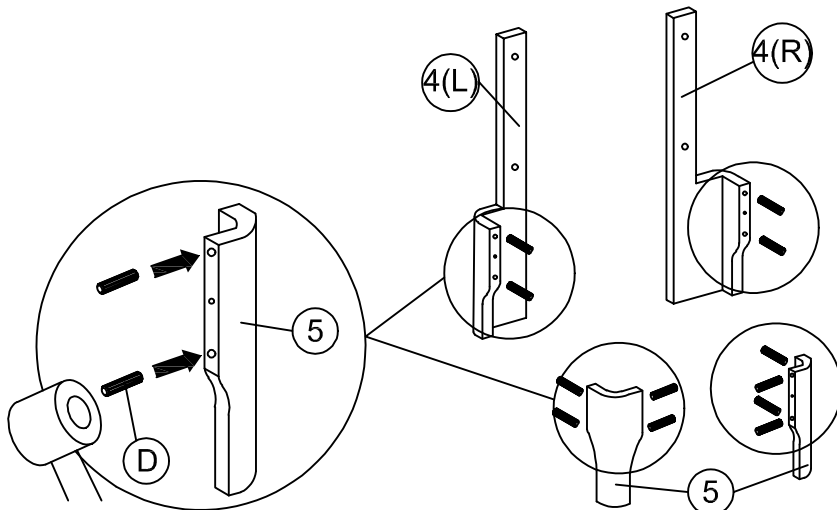
TWIN

①



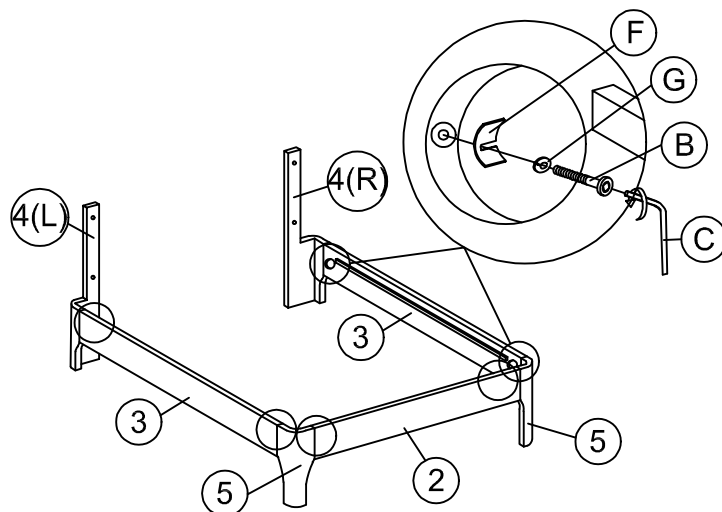
BACK VIEW

②



FRONT VIEW

③

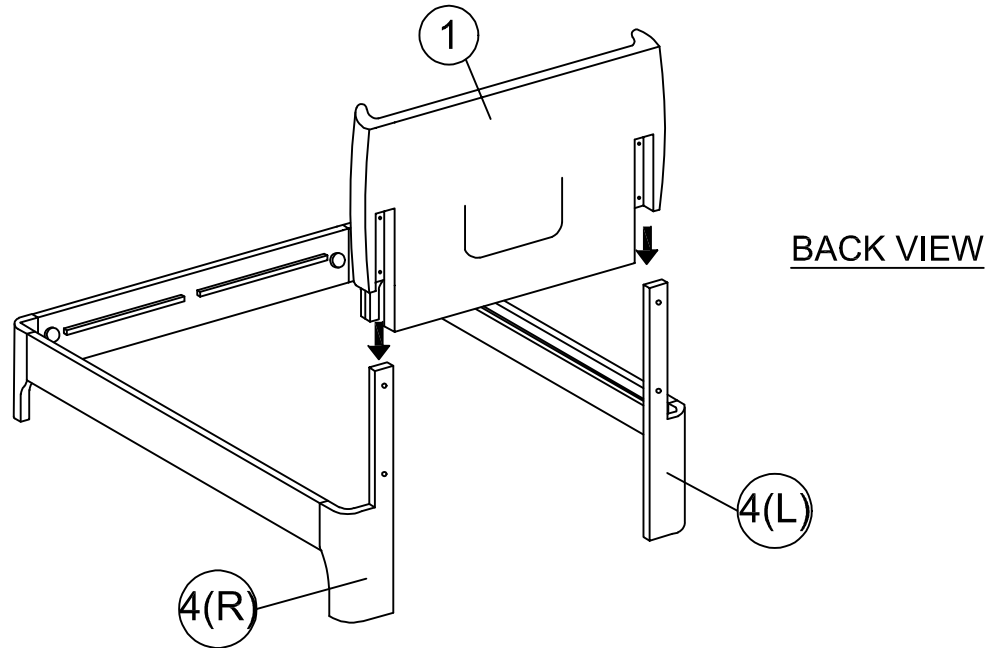


FRONT VIEW

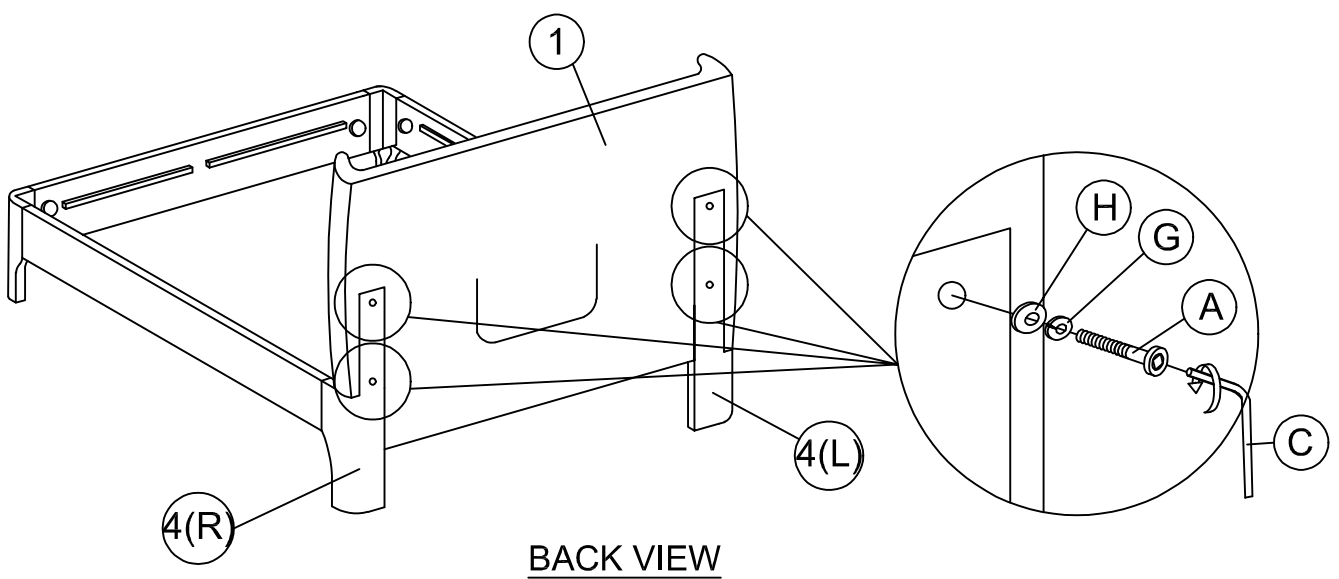
ASSEMBLY INSTRUCTION

TWIN

④



⑤

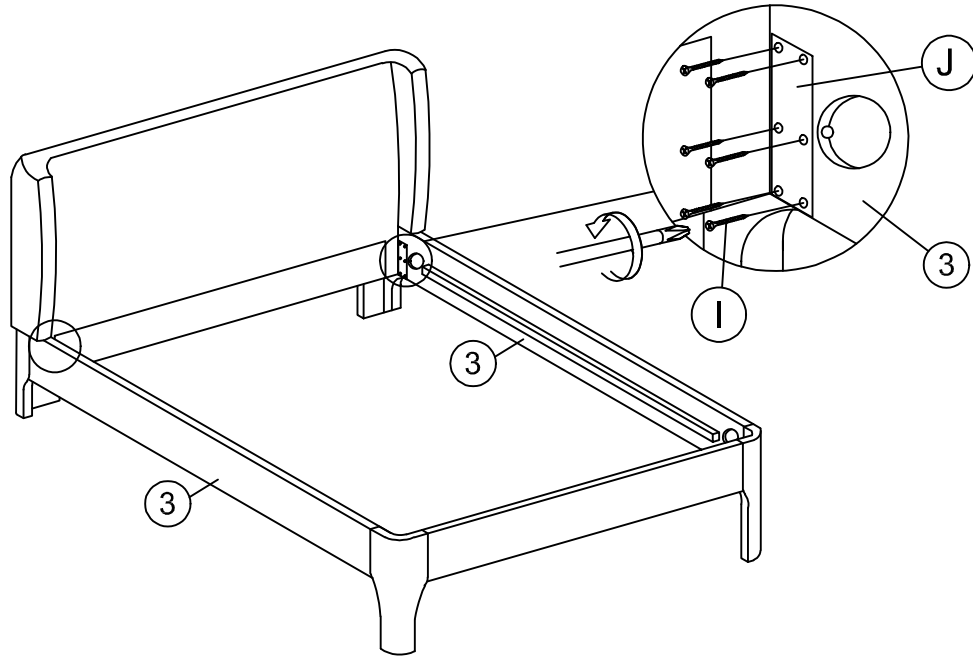


ASSEMBLY INSTRUCTION

TWIN

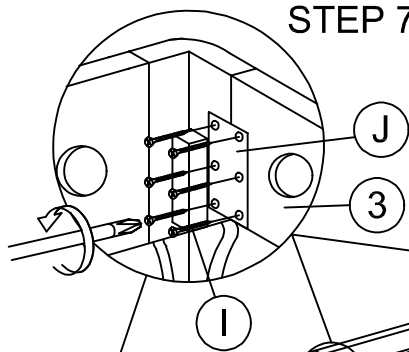
6

Attention : Make sure metal plate at bottom side rail and headboard bottom !

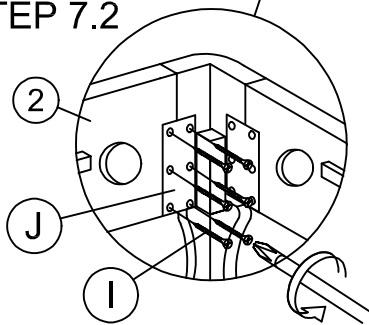


7

STEP 7.1



STEP 7.2



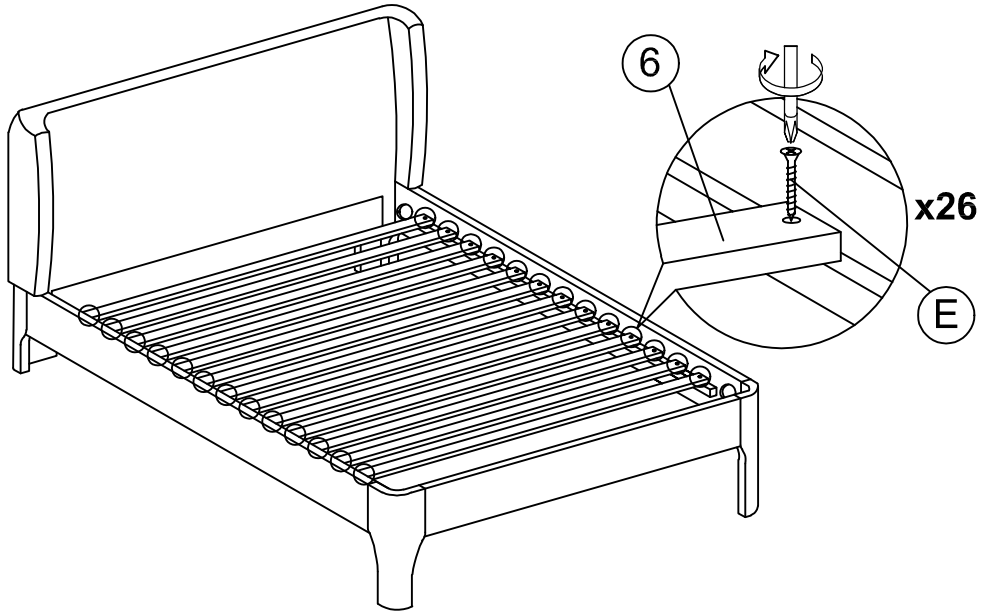
BACK VIEW

Attention : Make sure metal plate at bottom side rail and footboard bottom !

ASSEMBLY INSTRUCTION

TWIN

8



9

