



Now Available  
2 Colors:

Stainless Steel

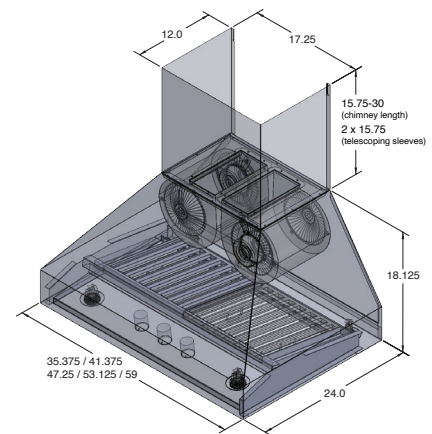
Black Stainless Steel

**The PLJW 104** Looking for a bold yet refined statement piece? The PLJW 104 delivers with a design that balances sleek simplicity and professional performance.

Built in high-quality 430 stainless steel or outdoor-rated 304 stainless steel, this hood now also comes in a striking black stainless finish — crafted exclusively in durable 304 stainless. Hand-welded seams and polished edges give it a seamless, modern profile. The controls are tucked out of sight beneath the front edge, keeping the lines clean.

The backlit dial knobs glow softly in blue, adding both style and visibility. Beneath the design, serious power: a 1200 CFM dual blower system. Each blower operates independently with its own controls — perfect for when you only need ventilation on one side, but powerful enough to handle heavy cooking with both engaged.

With its professional-grade construction, stylish finishes, and flexible performance, the PLJW 104 makes an unmistakable impact in any kitchen.



**Configuration and Dimensions**

Hood Type . . . . .	Wall
Sizes Available . . . . .	36   42   48   54   60
36" Dimensions . . . . .	35.375" W x 24" D x 18.125" H
42" Dimensions . . . . .	41.375" W x 24" D x 18.125" H
48" Dimensions . . . . .	47.25" W x 24" D x 18.125" H
54" Dimensions . . . . .	53.125" W x 24" D x 18.125" H
60" Dimensions . . . . .	59" W x 24" D x 18.125" H
Chimney Dimensions: 17.25" W x 12" D x 15.75"-30" H (Telescoping with Two Interlocking 15.75" Sleeves)	

**Features**

Control Type . . . . .	Backlit Dial Knobs
Lighting . . . . .	Halogen

**Ventilation System**

Maximum Air Flow Capacity . . . . .	1200 CFM
Speed Levels . . . . .	4 Speeds
Airflow (Quiet/Low/Med/High) . . . . .	300/600/900/1200
Noise Level . . . . .	53.8 db or 6 Sones Max
Duct Type/Size . . . . .	Round 8
Voltage . . . . .	110v
Motor . . . . .	Dual
Filter Type . . . . .	Stainless Steel Baffle (Dishwasher Safe)
Material . . . . .	430 or 304 Stainless Steel (also offered in Black 304)
Warranty . . . . .	3 Year Parts Warranty