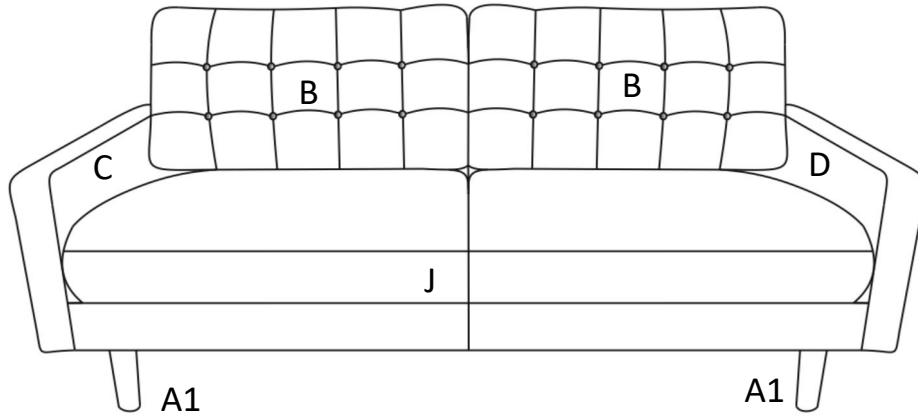
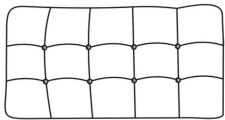


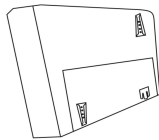
ASSEMBLY INSTRUCTION



A1:Legs 2PCS



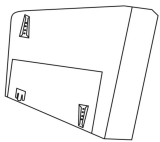
B:Back Cushion 2PCS



C:Left Arm 1PC



A2:Legs 2PCS



D:Right Arm 1PC



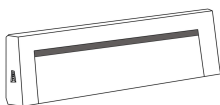
E:Washer 2PCS



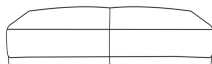
F:Bolt 2PCS



G:Allen Key 1PC

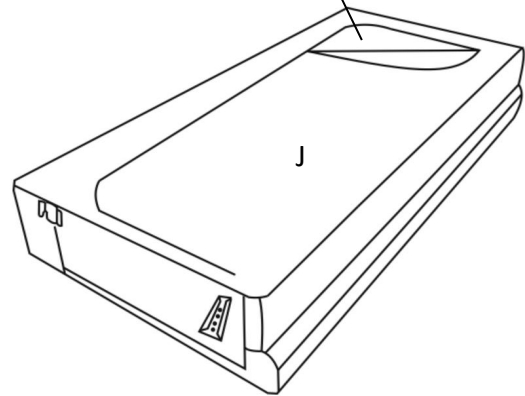


H:Backrest 1PC

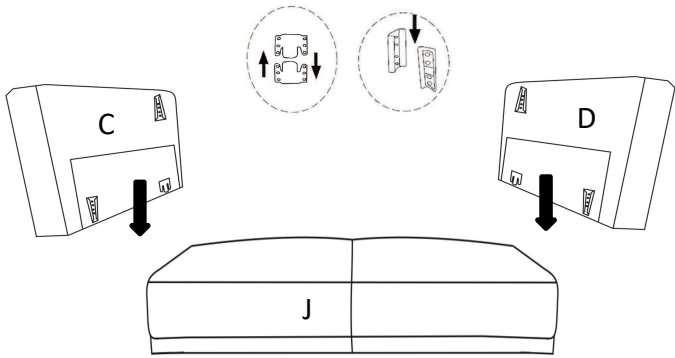


J:Body 1PC

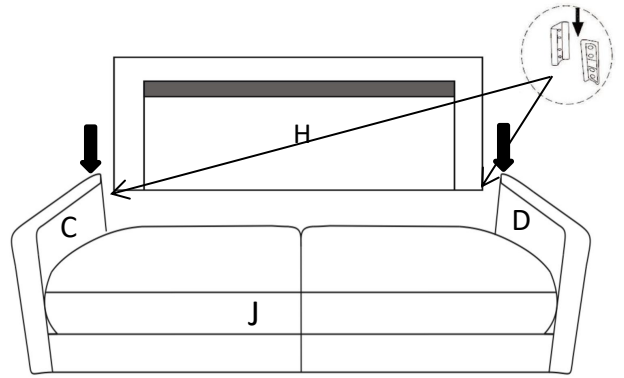
A1x2,A2X2,Bx2,Ex2,Fx2,Gx1
Packed In The Bottom



STEP 1

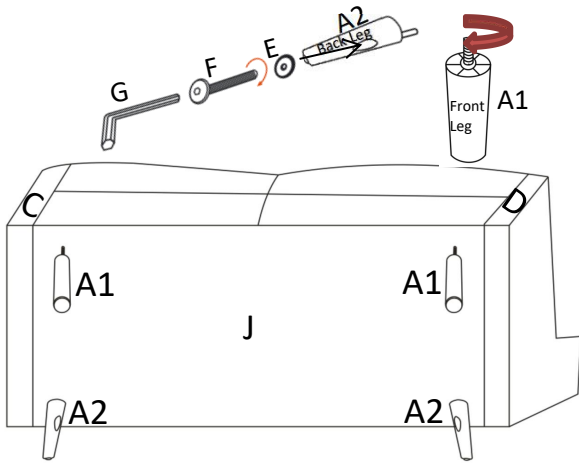


STEP 2

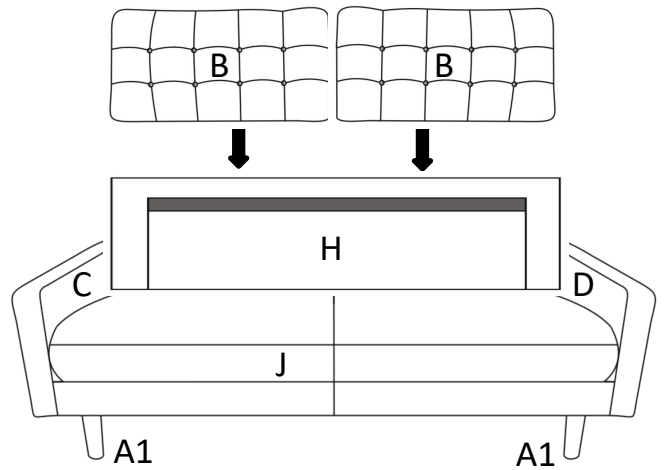


STEP 3

- 1) Twist the front legs(A1) clockwise to fixed it on the sofa.
- 2) Use the spare parts EFG to fixed the back legs(A2) on the sofa.



STEP 4



STEP 5

