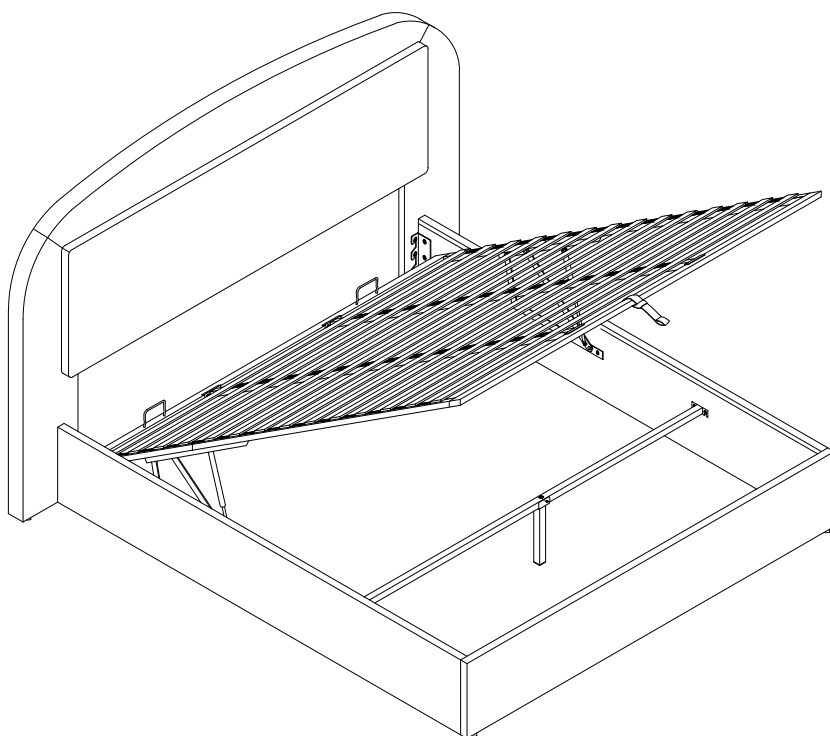


# ASSEMBLY INSTRUCTION

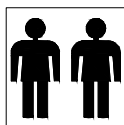


Please **TEAR OFF** this shrink film from side!  
**DO NOT USE CUTTER!**

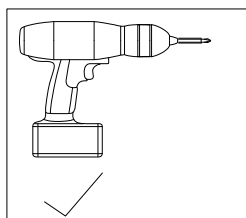
ITEM NUMBER: 189

## IMPORTANT NOTE

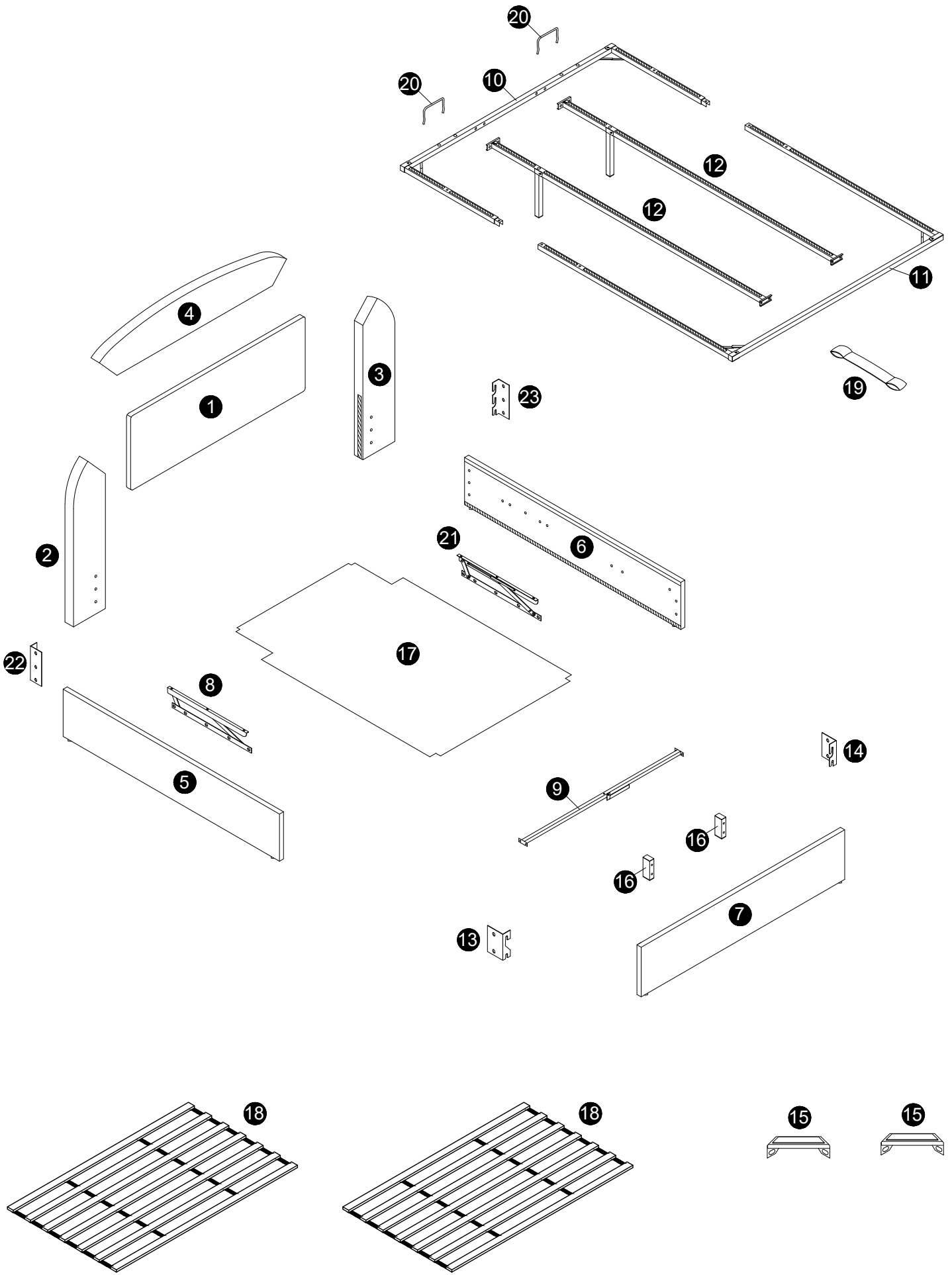
1. For the protection of your furniture, place all parts on a clean and smooth surface to prevent any damage.
2. Keep fittings out of children's reach and keep children well away from construction area.
3. When moving your assembled bed, it is best to lift the bed and never to drag it.
4. Do not use this product if parts are missing, damaged or worn.
5. This product should only be used on firm, level ground.
6. Please periodically check all fittings and re-tighten as necessary.
7. Do not use the bed unless all bolts and screws are firmly secured.
8. For further assistance, please provide a screenshot of your order and contact us via email at



Minimum two  
person assembly

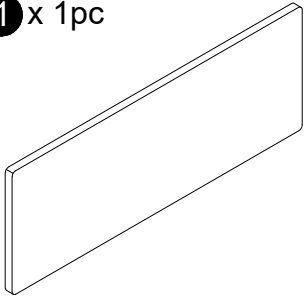


PART LIST



PART LIST

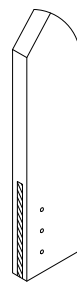
1 x 1pc



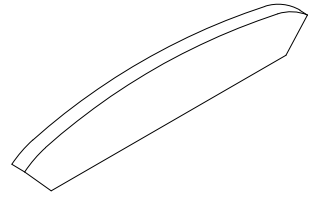
2 x 1pc



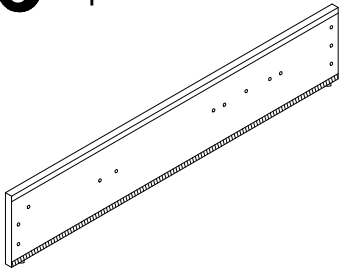
3 x 1pc



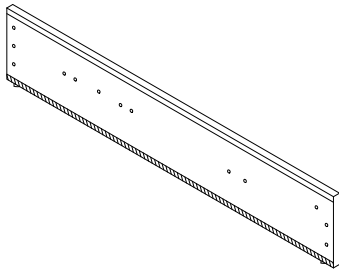
4 x 1pc



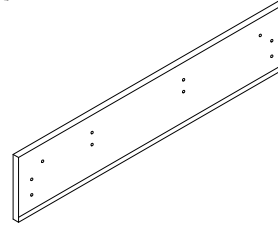
5 x 1pc



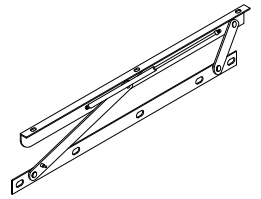
6 x 1pc



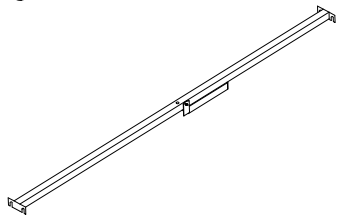
7 x 1pc



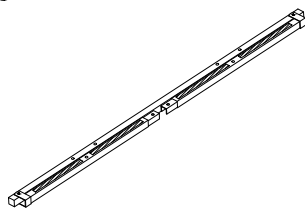
8 x 1pc



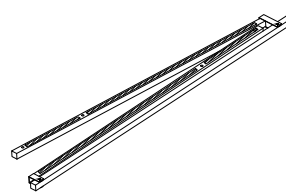
9 x 1pc



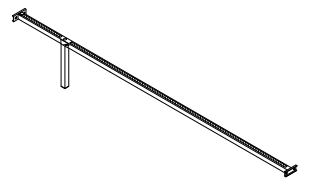
10 x 1pc



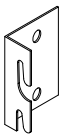
11 x 1pc



12 x 2pcs



13 x 1pc



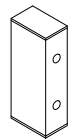
14 x 1pc



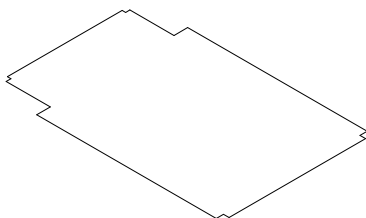
15 x 2pcs



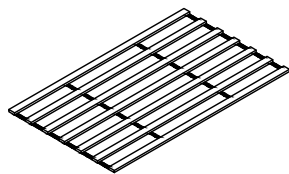
16 x 2pcs



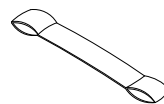
17 x 1pc



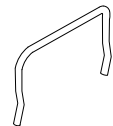
18 x 2pcs



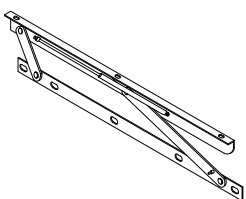
19 x 1pc



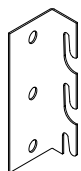
20 x 2pcs



21 x 1pc



22 x 1pc



23 x 1pc



Please ensure to thoroughly inspect the small inner cardboard box containing the hardware, which are tied with a red string, before disposing of the box.

**HARDWARE LIST**



**H1** M5 x 1pc



**H2** M8x25mm x 46pcs



**H4** M8x60mm x 4pcs



**H5** M8 x 8pcs



**H6** M8x22mm x 8pcs



**H7** M8 x 6pcs

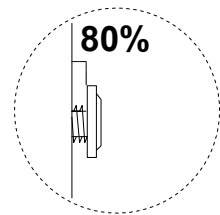
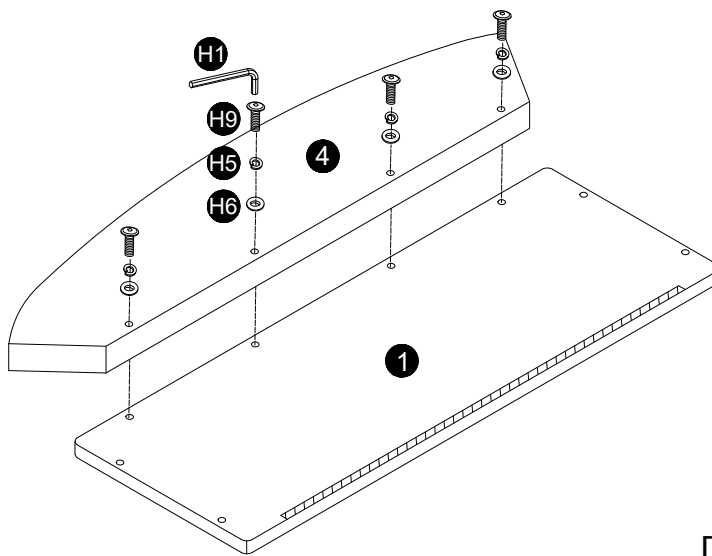


**H8** M14 x 1pc



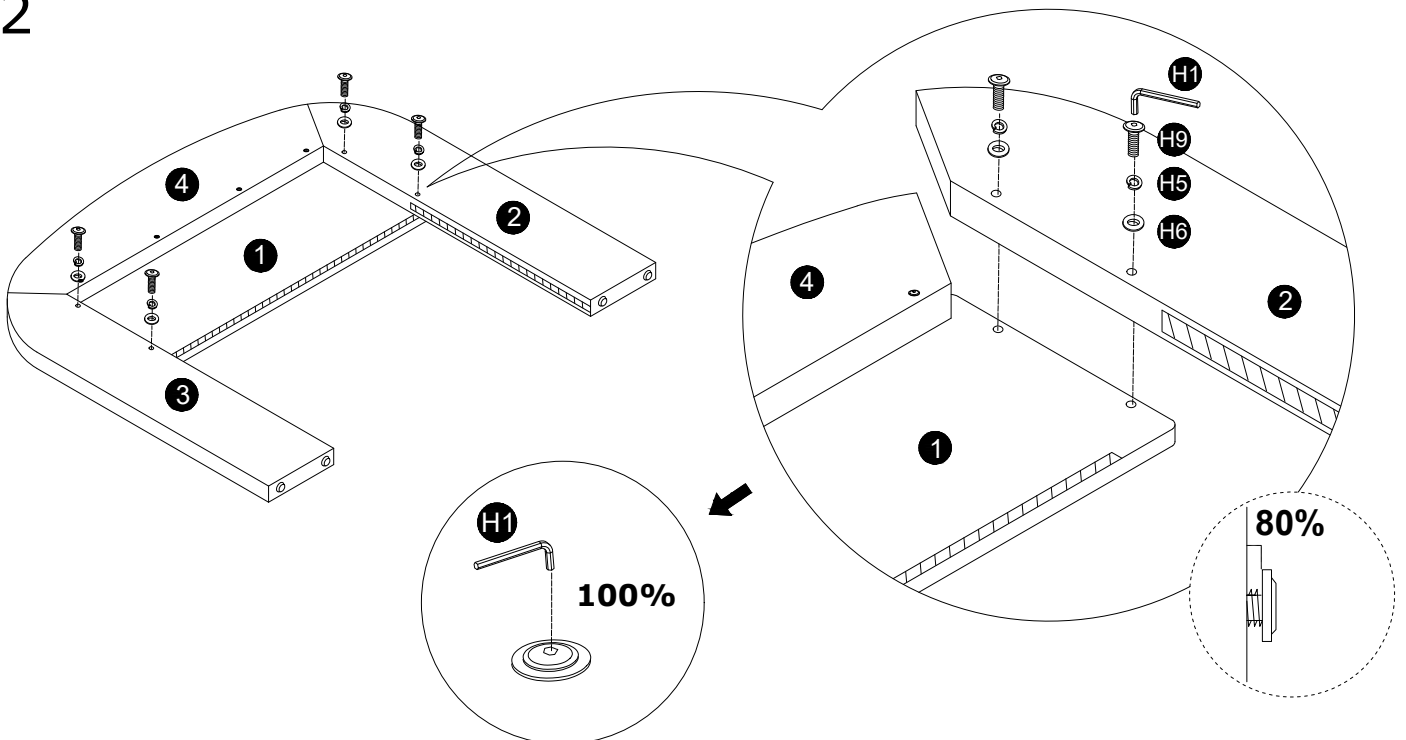
**H9** M8x50mm x 17pcs

**1**



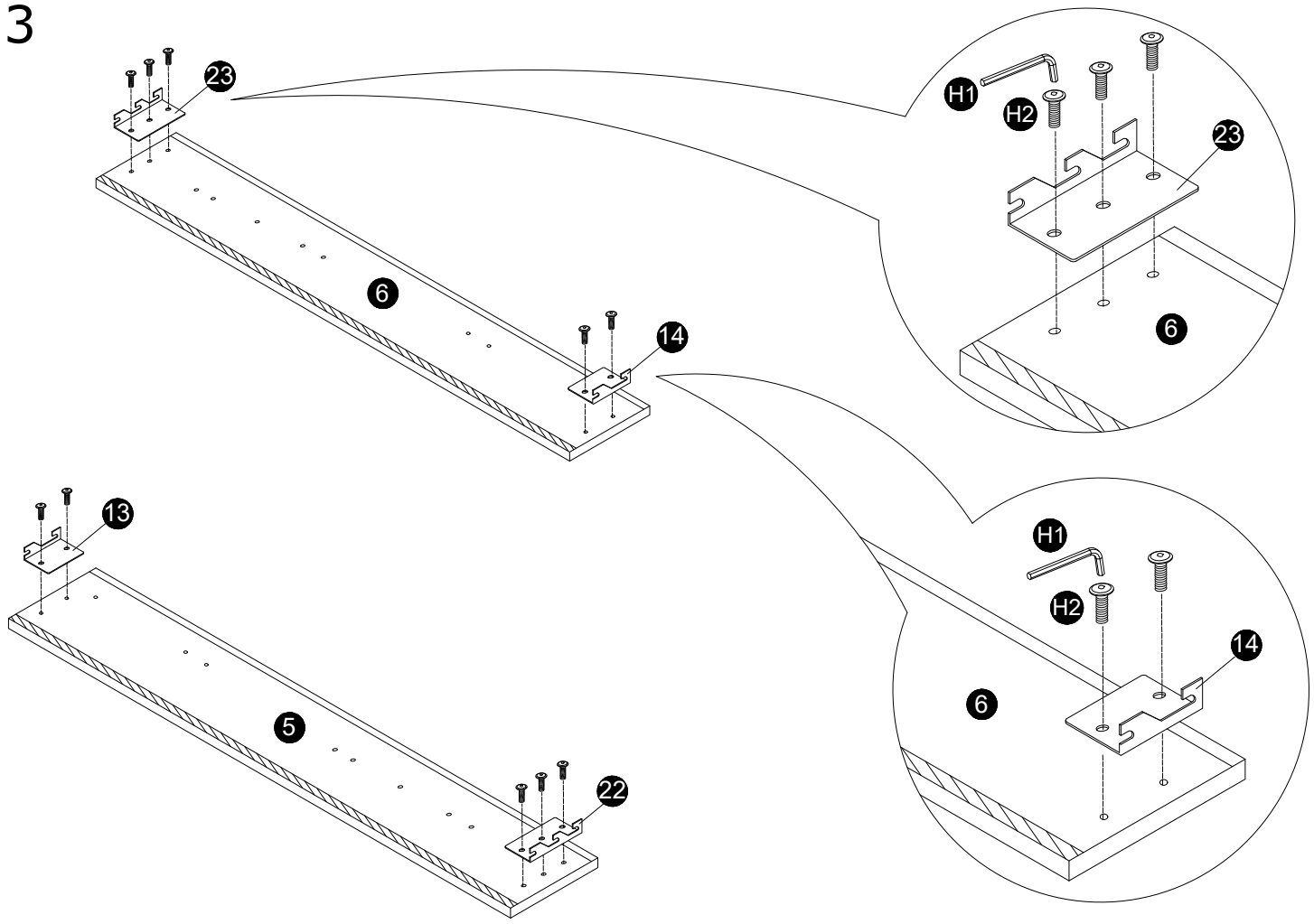
Do not fully tighten fixings!

**2**

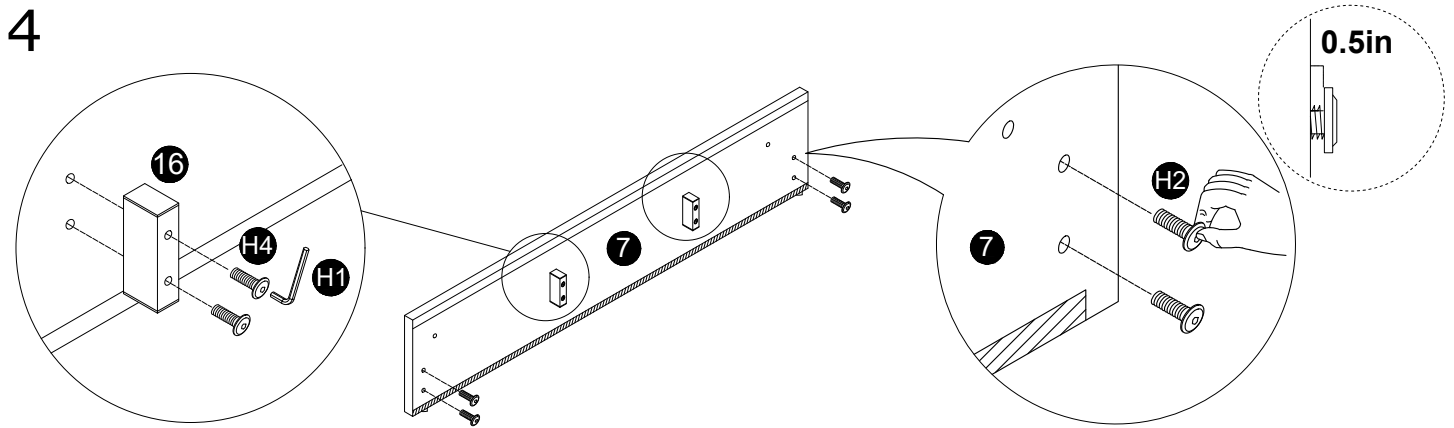


Tighten step 1 and step 2 all fixings.

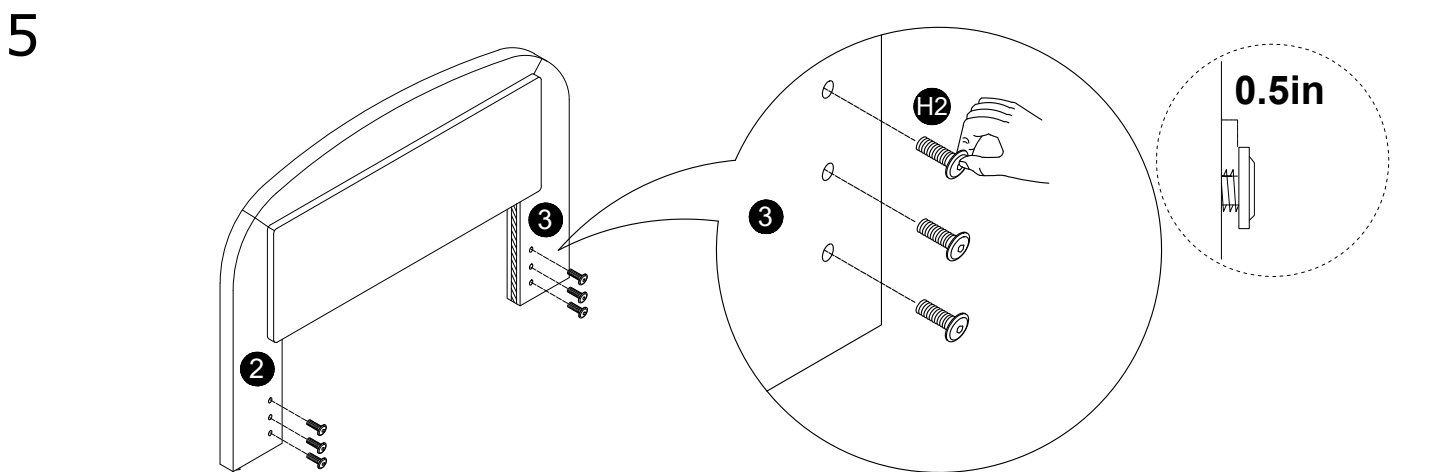
3



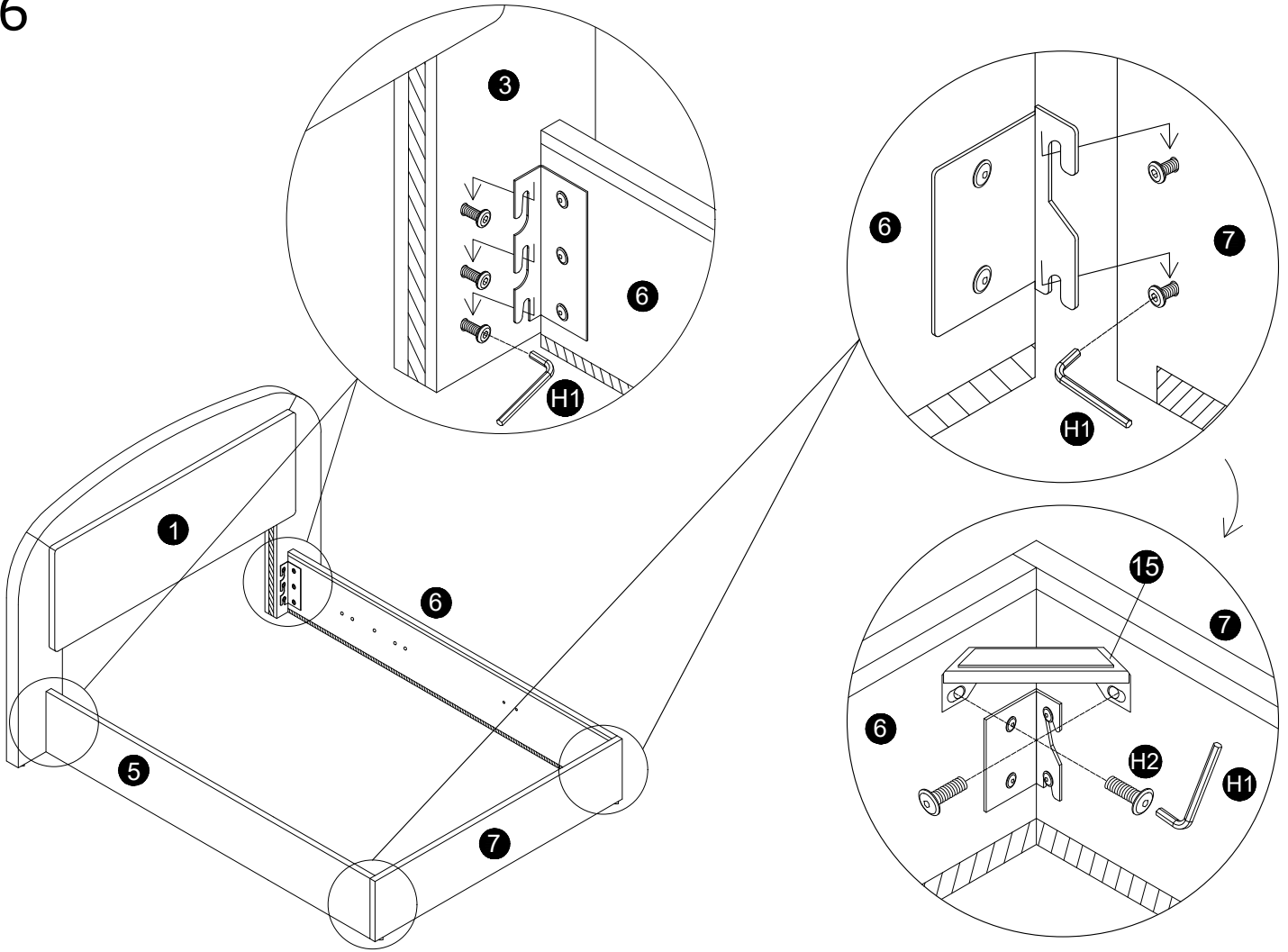
4



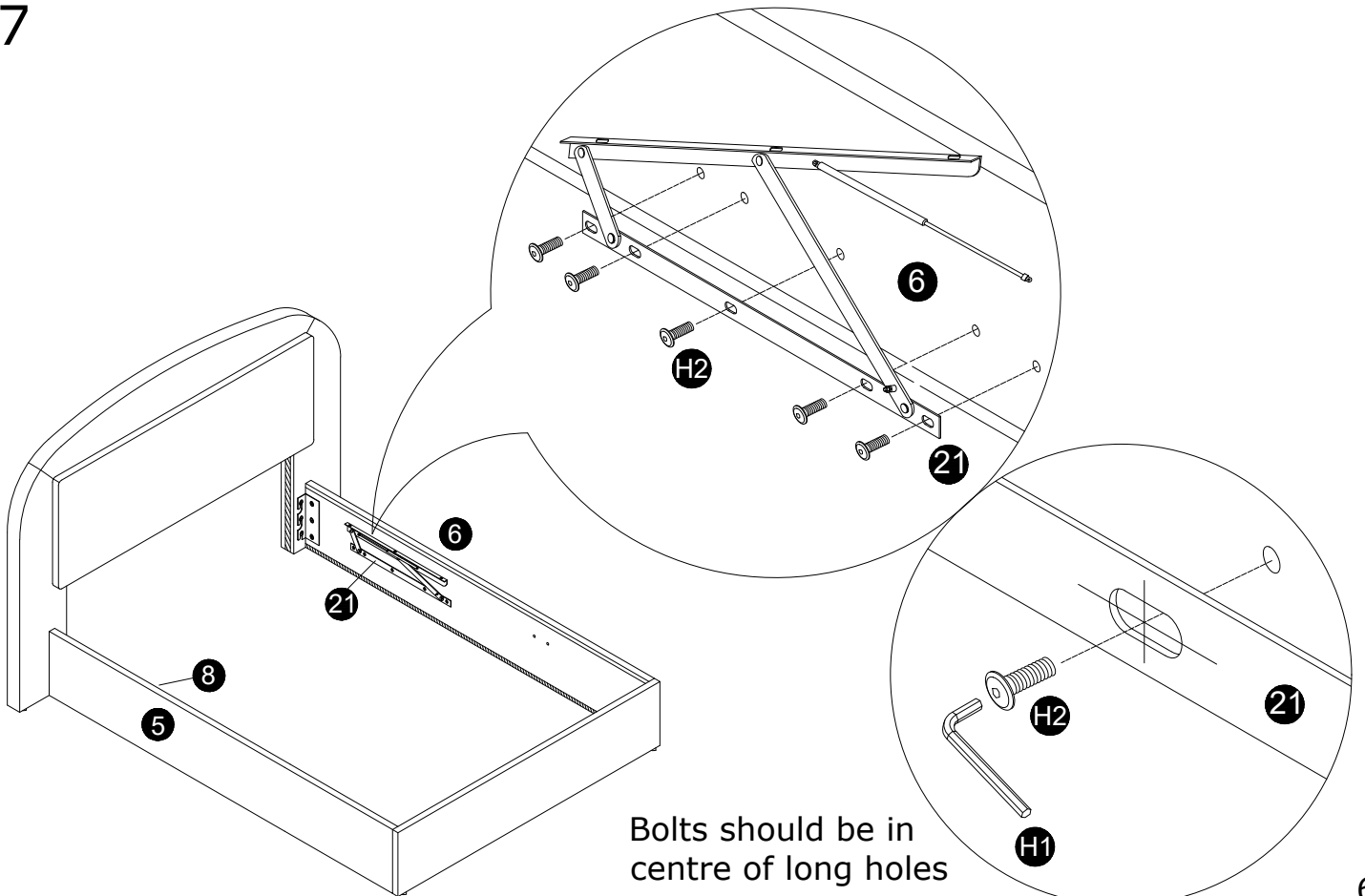
5



6

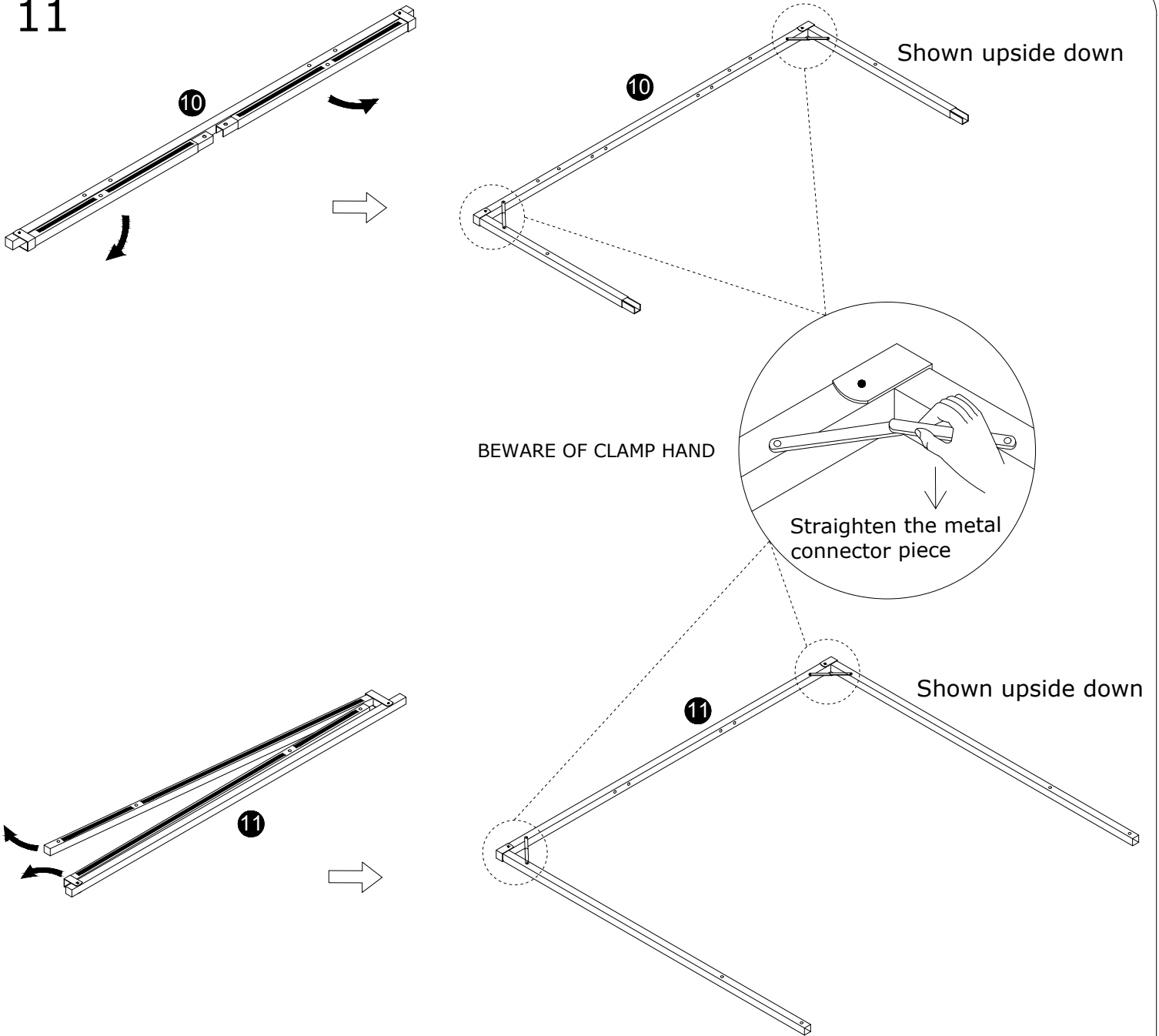


7

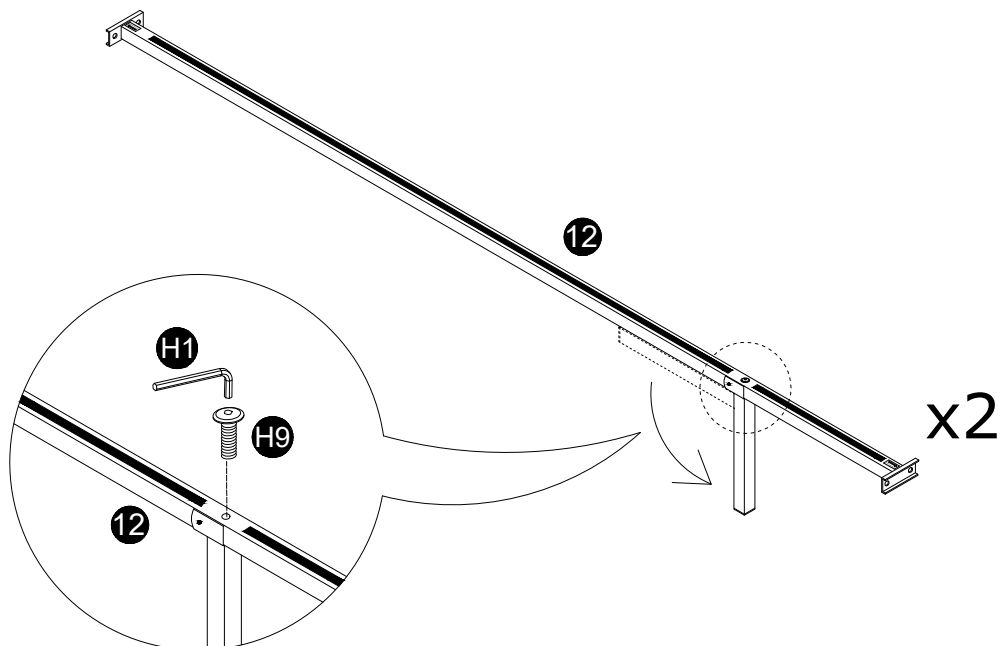




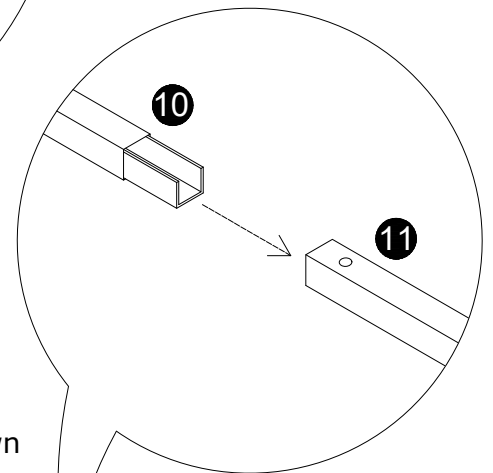
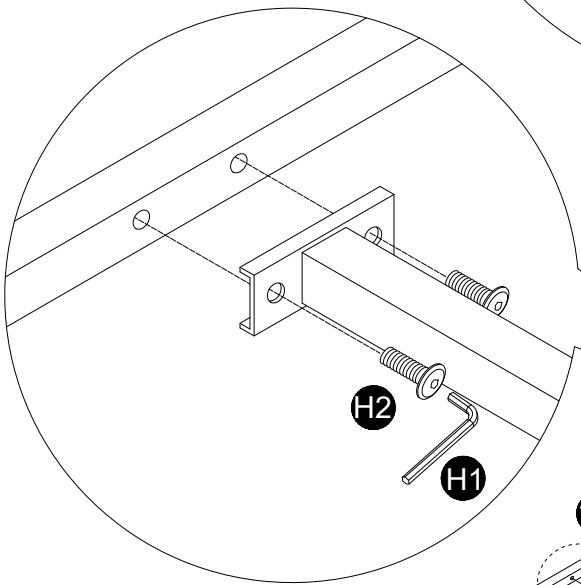
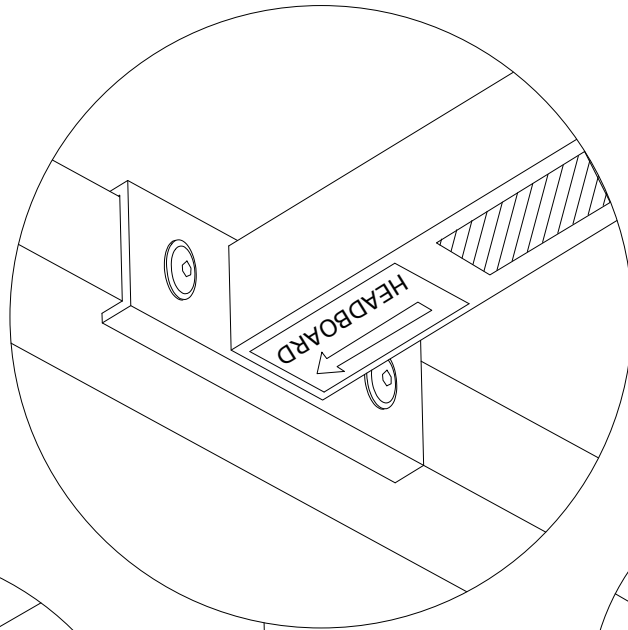
11



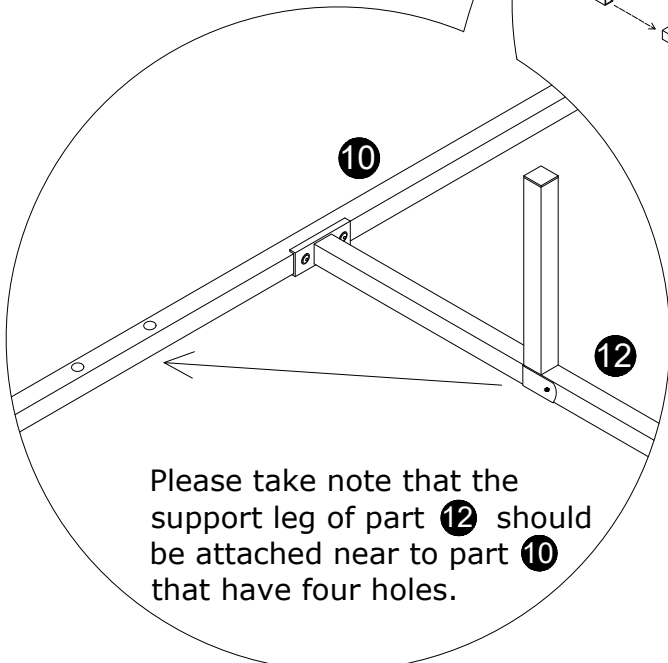
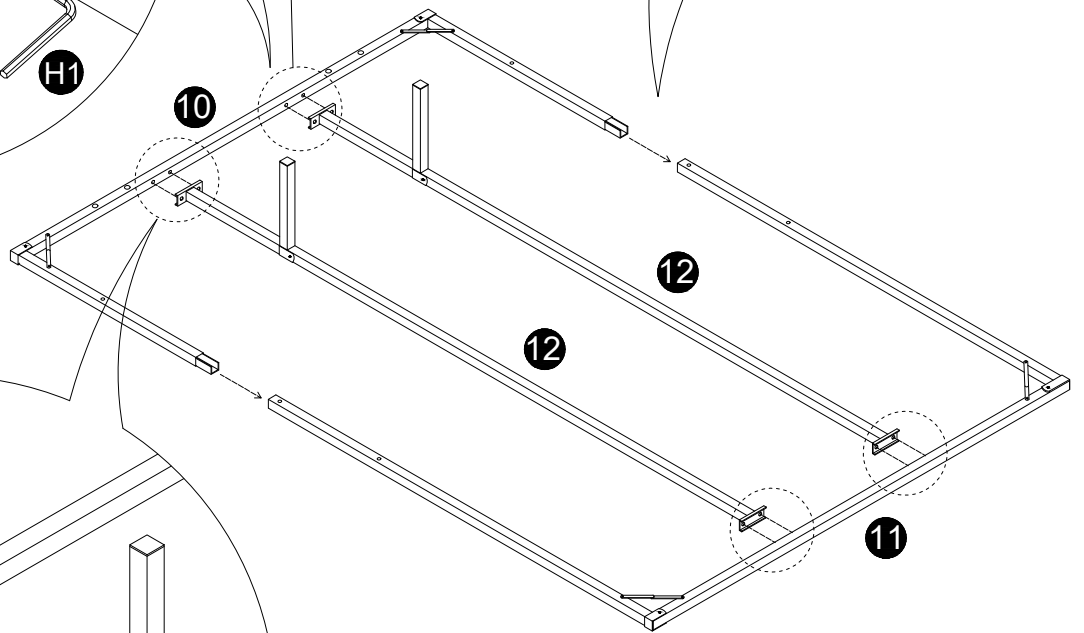
12



13

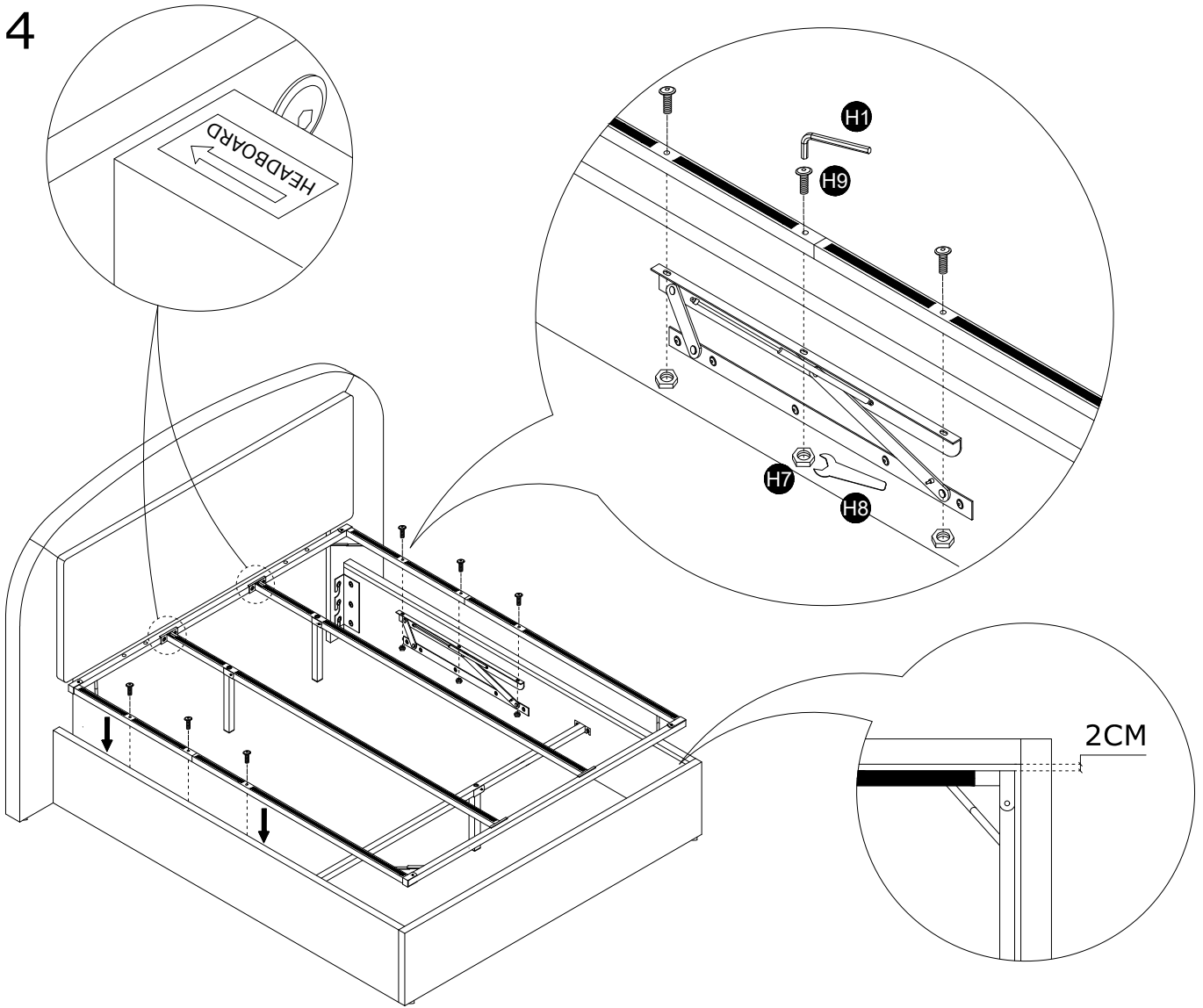


Shown upside down



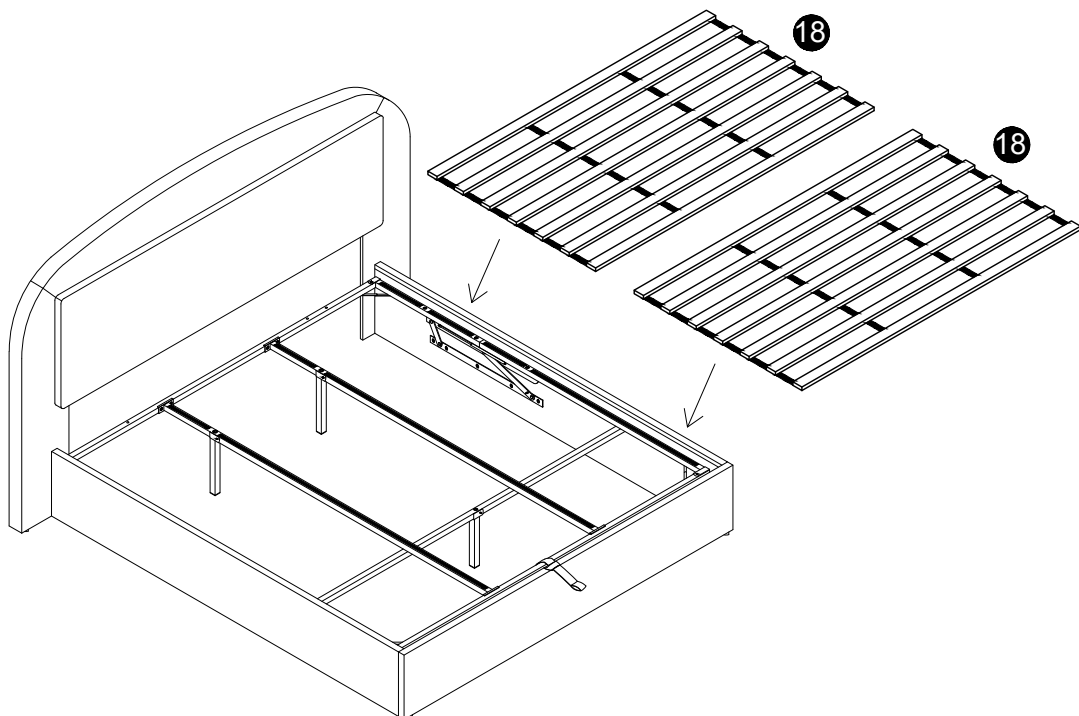
Please take note that the support leg of part 12 should be attached near to part 10 that have four holes.

14

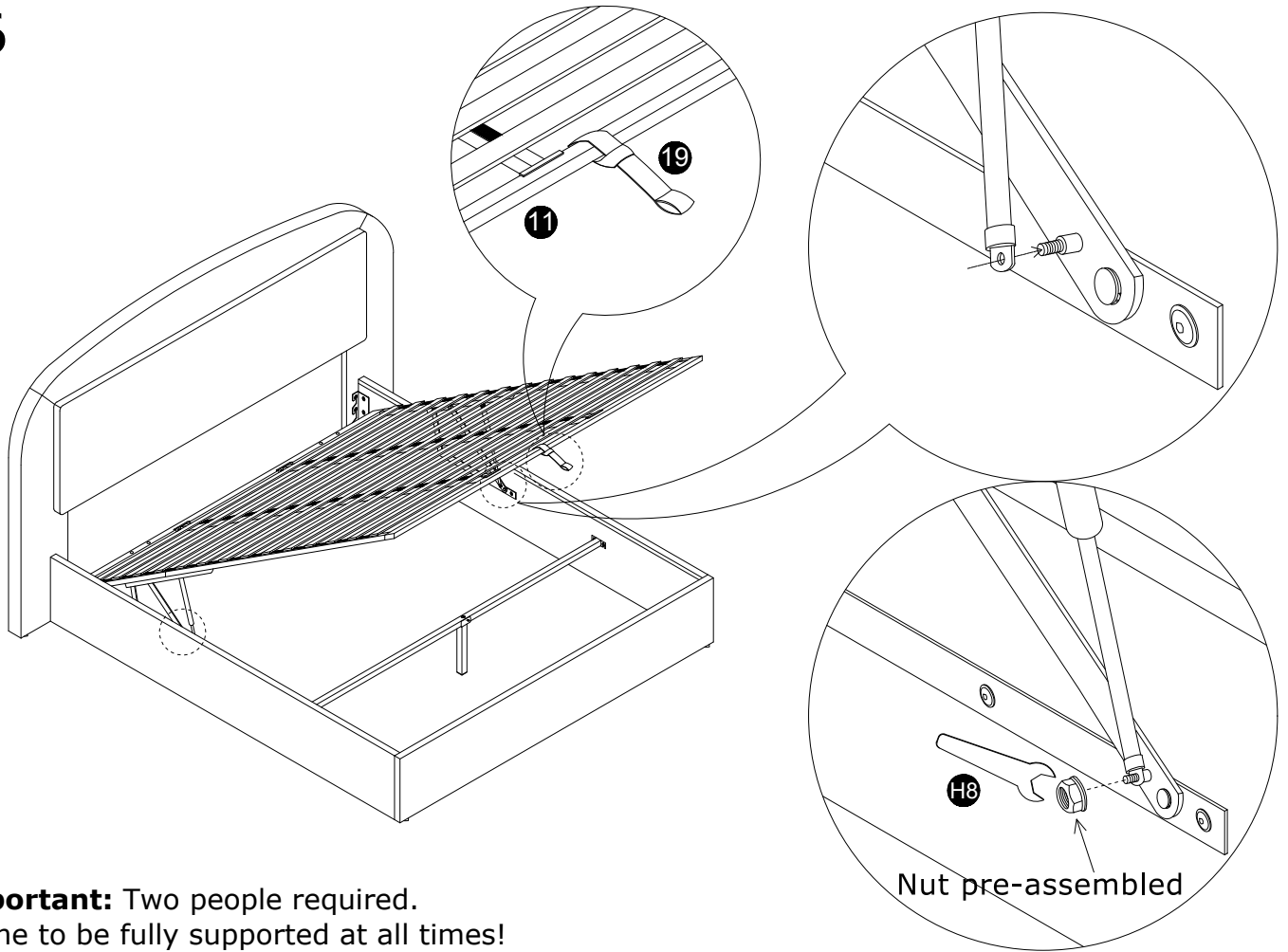


**Beware of risk of entrapment  
from folding hinges!**

15

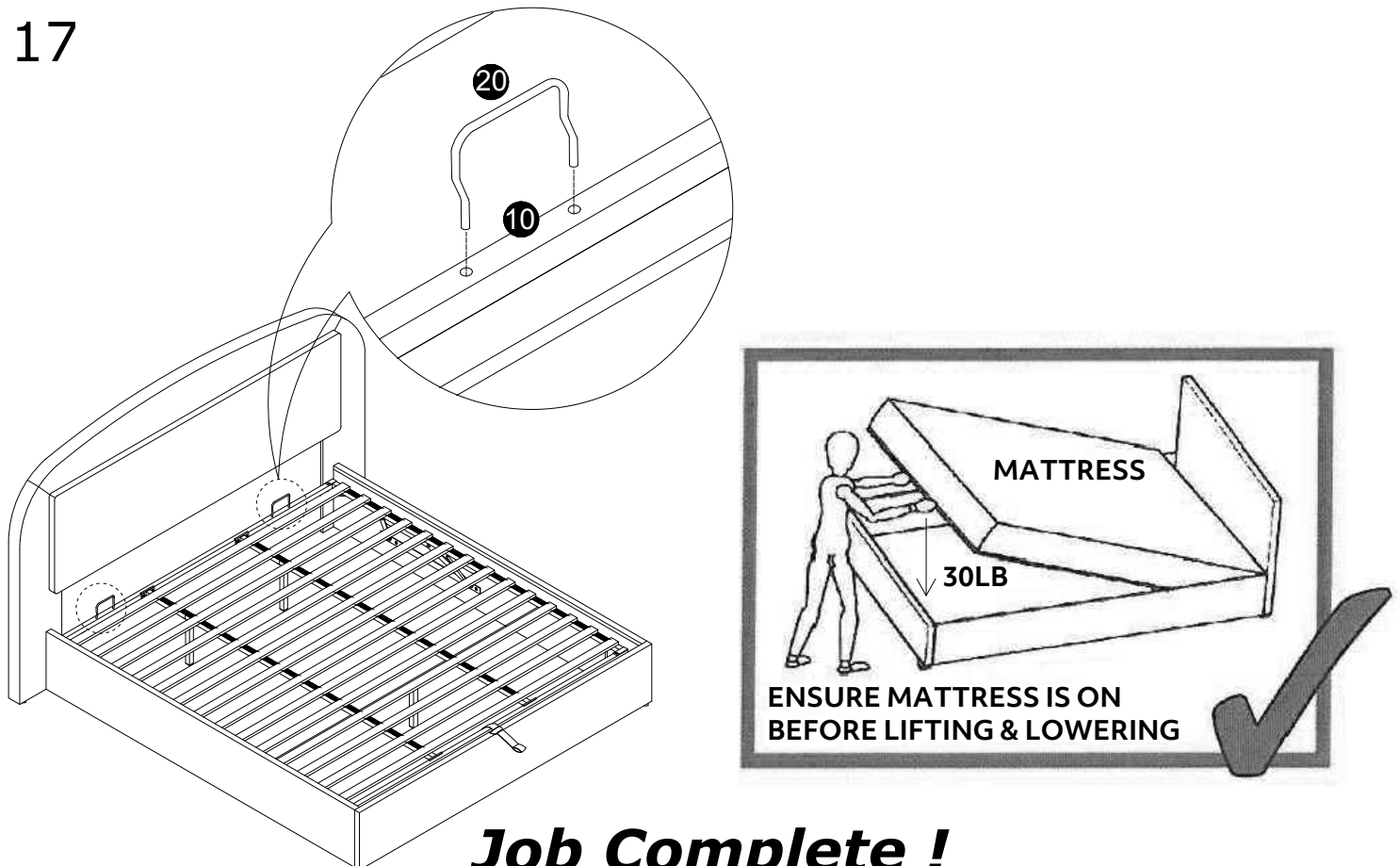


16



**Important:** Two people required.  
Frame to be fully supported at all times!

17



**Job Complete !**

*In the interest of our environment please dispose of all packaging thoughtfully.*