

Suggestion: To make the installation process easier and faster, we recommend that Two people work together to install the Bedside Table

When dealing with this product, please refrain from simply throwing it away. Instead, kindly dispose of it in the designated recycling container.

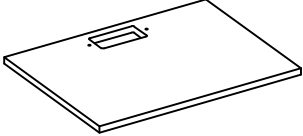



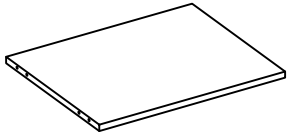
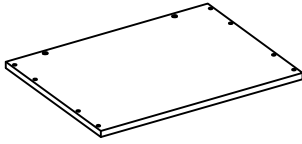
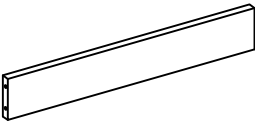
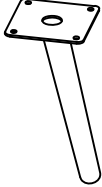
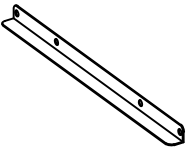
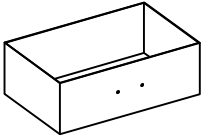
IMPORTANT:

1. Please read the instructions carefully before assembling the product.
2. Before starting the assembly process, check the package carefully to make sure all necessary boards and parts are included.
3. Before assembly, put all parts and boards in an open area. Ensure that you have the correct parts before screwing them in place.

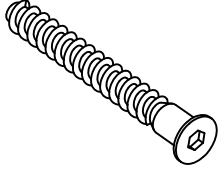


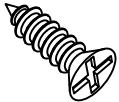


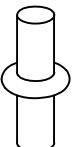

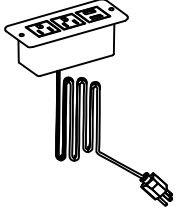
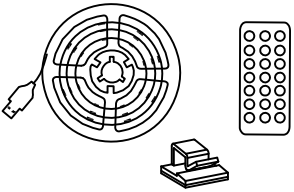
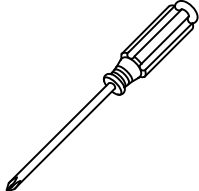
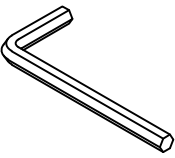
Warning:

1. During assembly, keep all small objects out of the reach of children, as they may be fatalif swallowed or inhaled
2. Never allow children to climb or play around the product to protect children from injury caused by the tilting of the product.
3. To avoid the potential dangers of suffocation, please keep all parts and packaging away from children.

Accessories list

<p>A x1</p> 	<p>B x2</p> 	<p>C x1</p> 
<p>D x1</p> 	<p>E x1</p> 	<p>F x1</p> 
<p>G x1</p> 	<p>H x4</p> 	<p>I x2</p> 
<p>J x1</p> 		

Accessories list

<p>① x20</p>  <p>Screw ST5*40 mm</p>	<p>② x8</p>  <p>Screw M6*8mm</p>	<p>③ x8</p>  <p>Screw Φ15*9.5 mm</p>
<p>④ x8</p>  <p>Screw ST4*12 mm</p>	<p>⑤ x18</p>  <p>Screw M4*10 mm</p>	<p>⑥ x2</p>  <p>Screw M4*8 mm</p>
<p>⑦ x2</p> 	<p>⑧ x1</p> 	<p>⑨ x1</p> 
<p>⑩ x1</p> 	<p>⑪ x1</p> 	<p>⑫ x1</p> 

★ In many cases, we include additional hardware. So after following the assembly instructions, don't worry if there are still extra pieces left over-they're included as a "just in case" for your convenience.

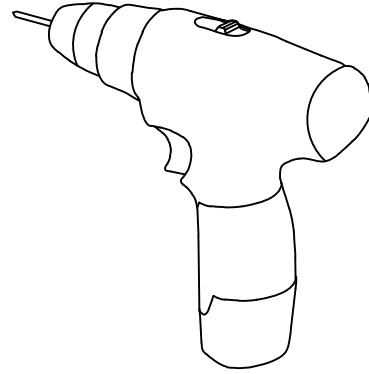
Self equipped tools



Phillips Screwdriver

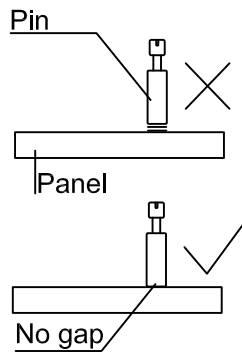
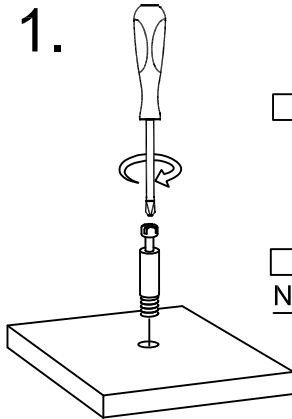


Slotted Screwdriver
(Not included)

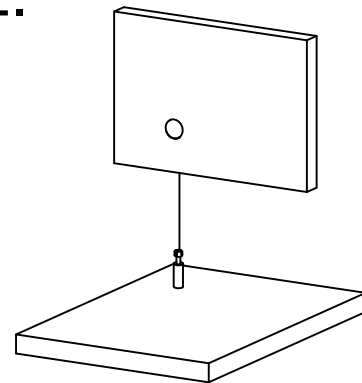


Electric Drill
(Not included)

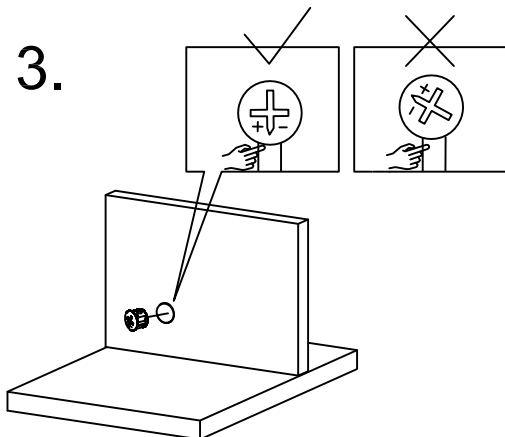
1.



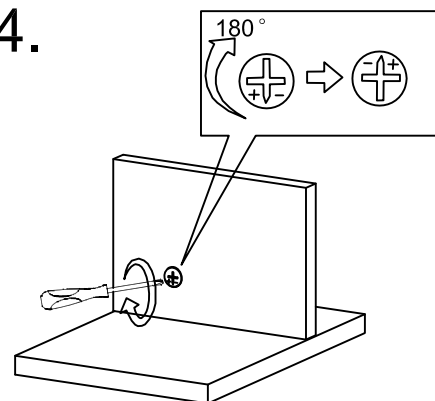
2.



3.

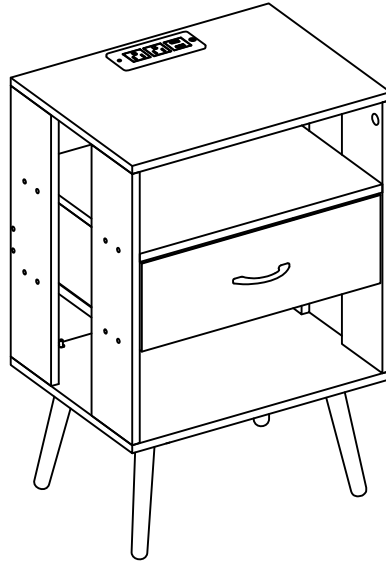


4.



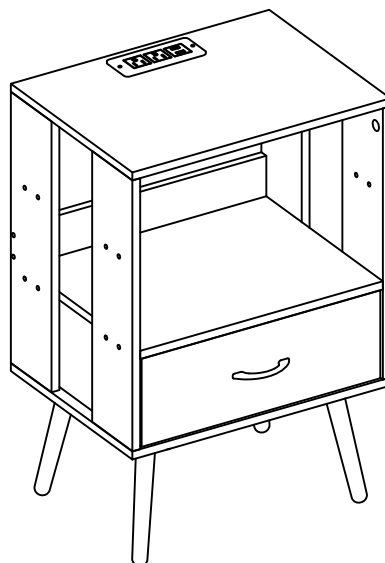
There are TWO assembly methods.
Please assemble according to your need.

INSTALLATION A



For the assembly steps of INSTALLATION A,
please refer to STEP 1 to STEP 12.

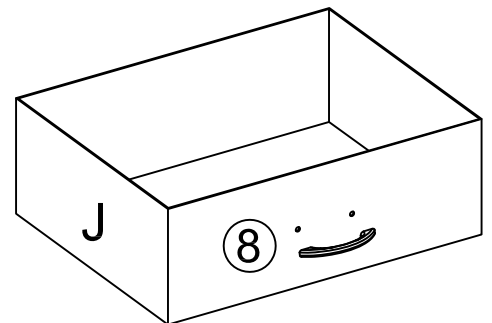
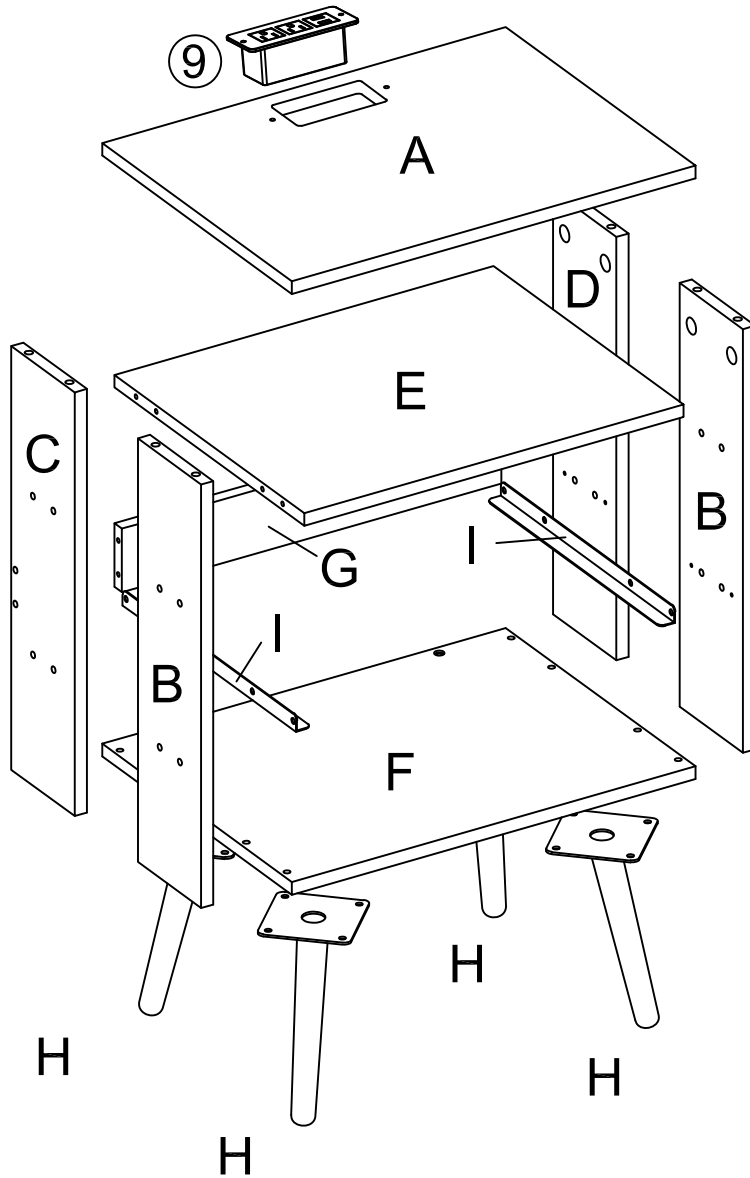
INSTALLATION B



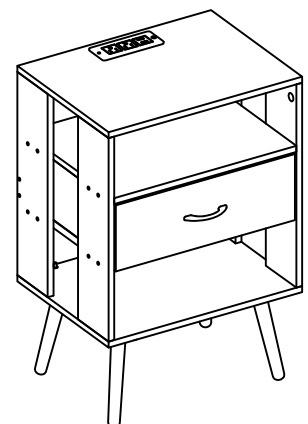
For the assembly steps of INSTALLATION B,
please refer to STEP 13 to STEP 23.

ATTENTION

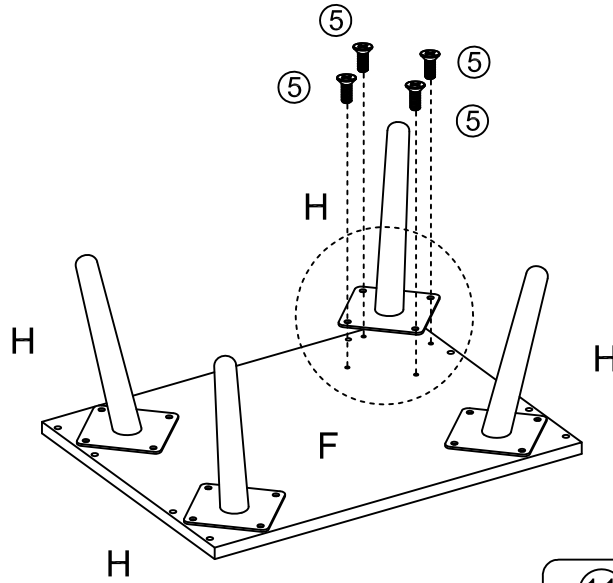
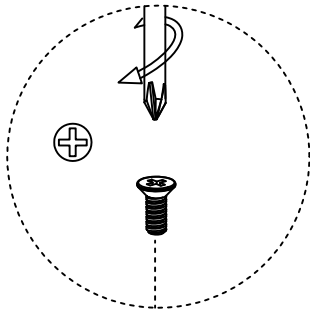
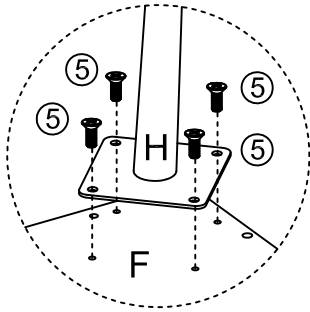
1. When you begin each step, please check carefully whether you have taken the correct parts, so as not to use the wrong parts and cause the wrong assembly.
2. We recommend that you do not rush to tighten the screws. It is best to tighten the screws to two-thirds first, after all the steps are finished and the position is well adjusted, then tighten




INSTALLATION A



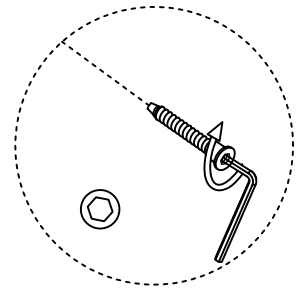
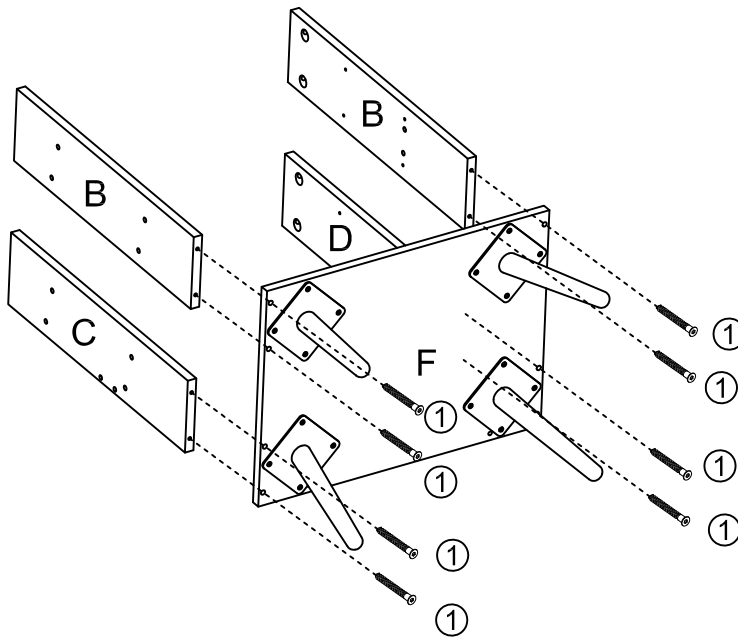
STEP 1 INSTALLATION A



⑪ x1 

⑤ x16 

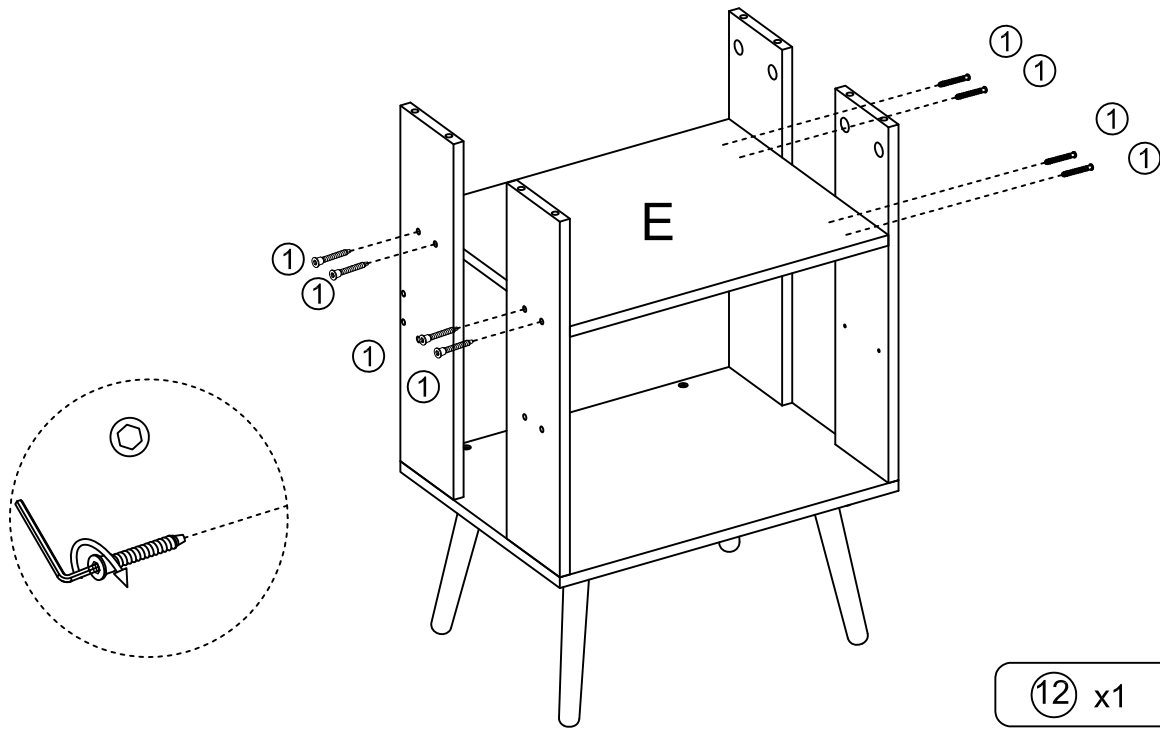
STEP 2 INSTALLATION A





⑫ x1 

① x8 

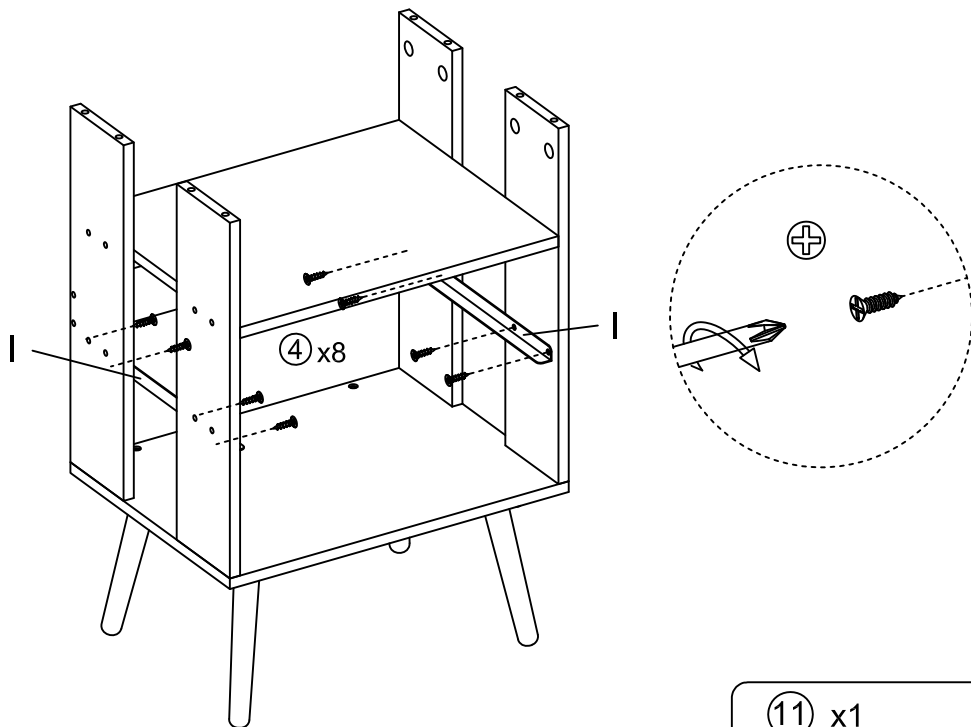
STEP 3 INSTALLATION A




(12) x1 

(1) x8 

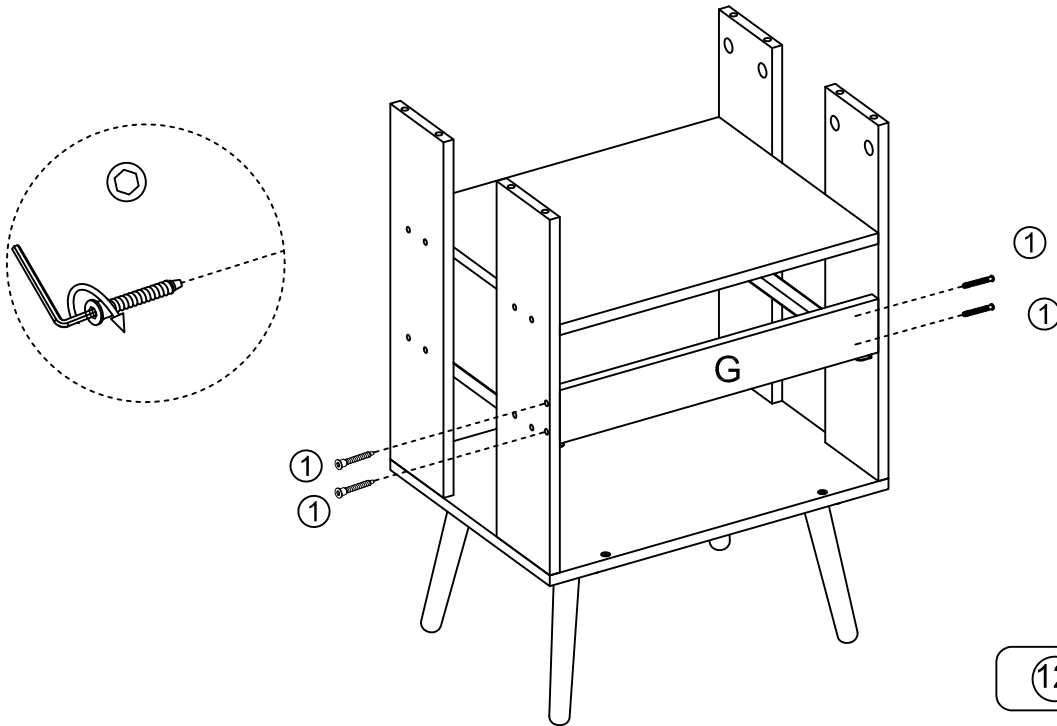
STEP 4 INSTALLATION A





(11) x1 

(4) x8 

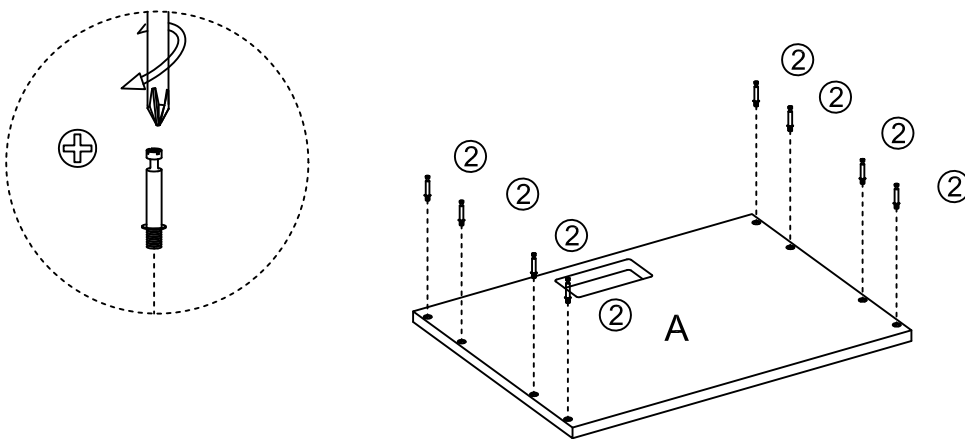
STEP 5 INSTALLATION A




(12) x1 

(1) x4 

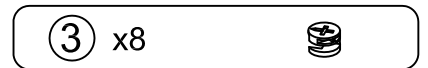
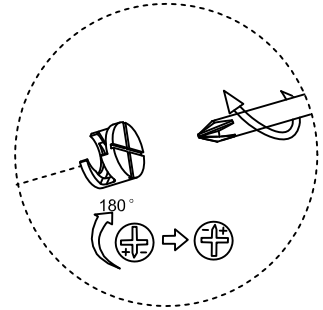
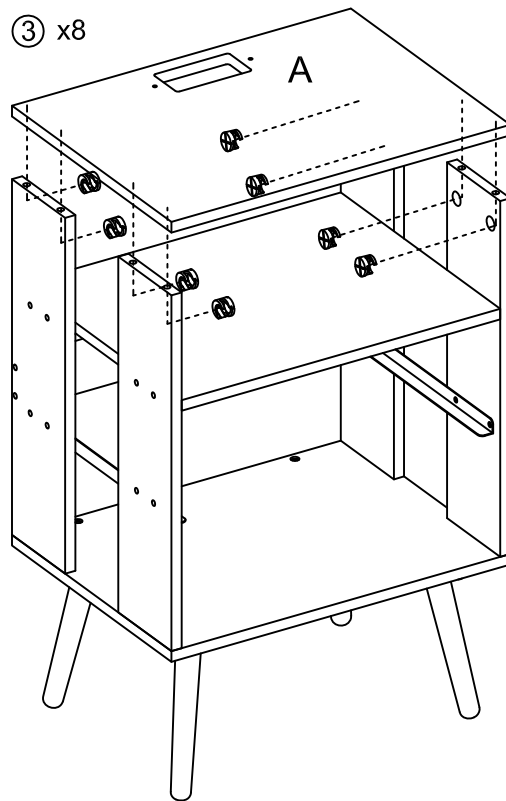
STEP 6 INSTALLATION A



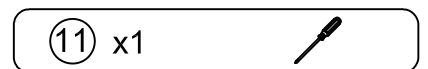
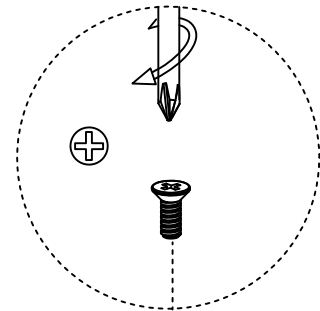
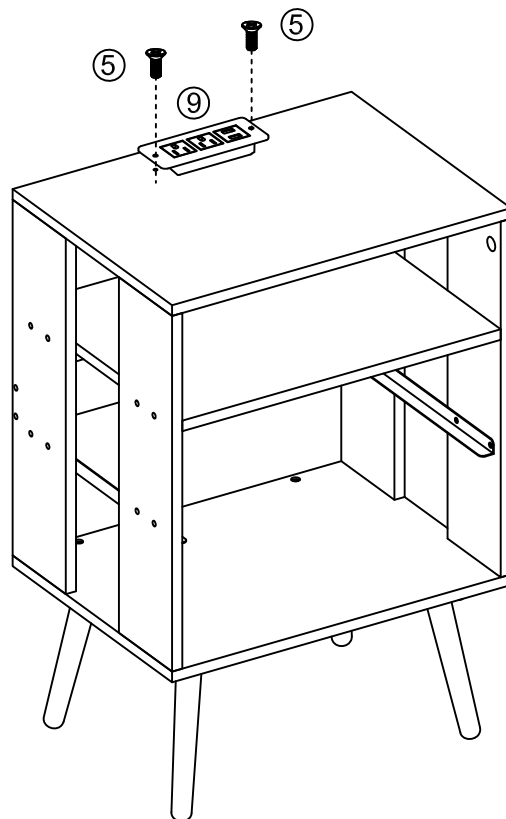
(11) x1 

(2) x8 

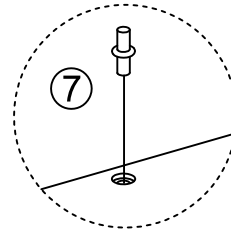
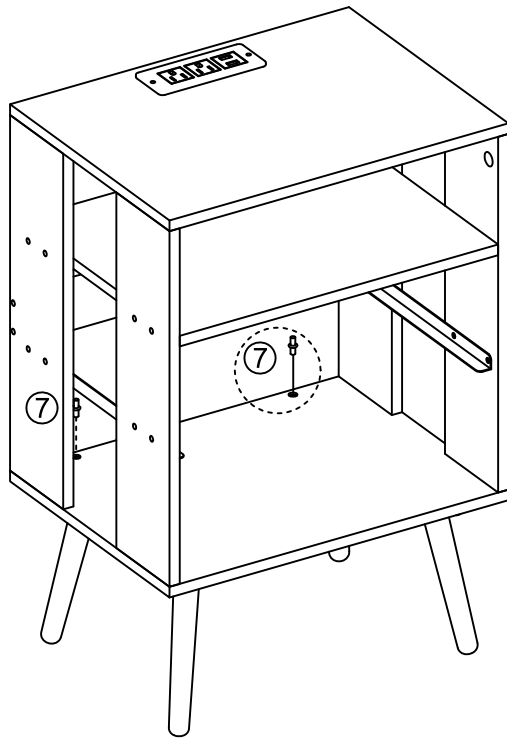
STEP 7 INSTALLATION A




STEP 8 INSTALLATION A

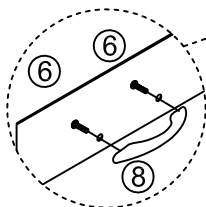
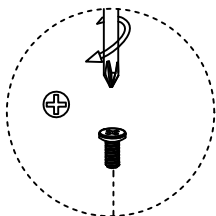
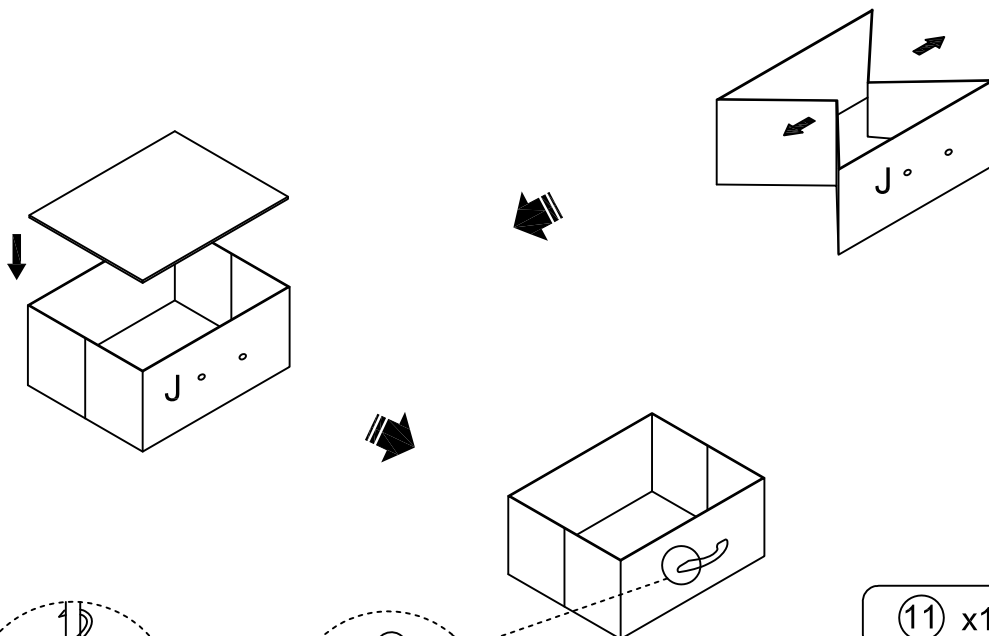



STEP 9 INSTALLATION A





⑦ x2 

STEP 10 INSTALLATION A

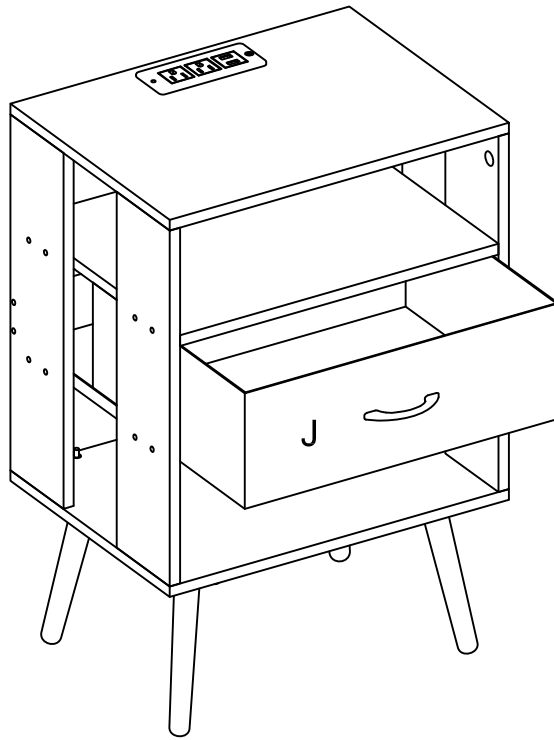


⑪ x1 

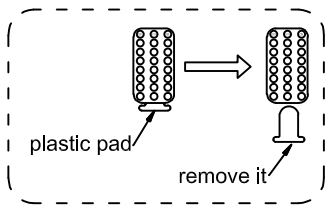
⑥ x2 

⑧ x1 

STEP 11 INSTALLATION A

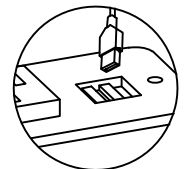
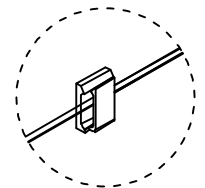
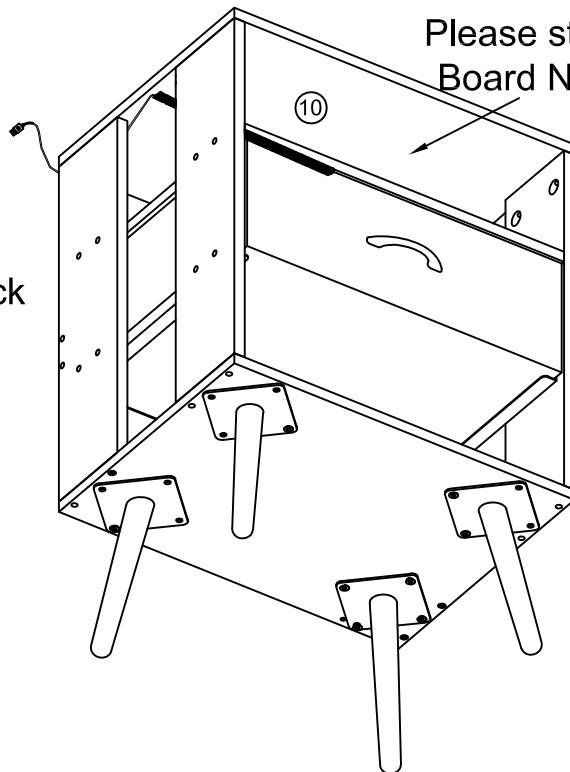


STEP 12 INSTALLATION A



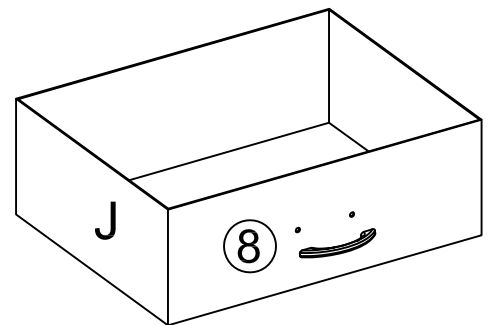
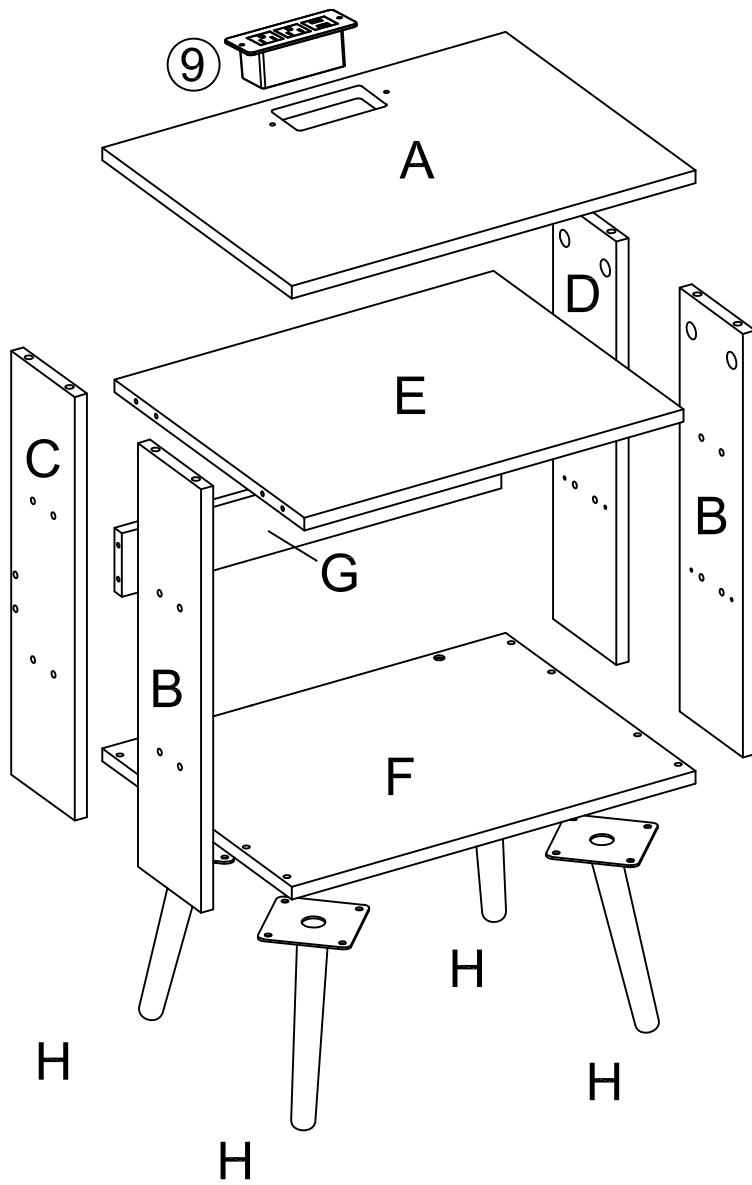
Please pull the plastic block out of the remote control.

Please stick the light strip onto Board No. A

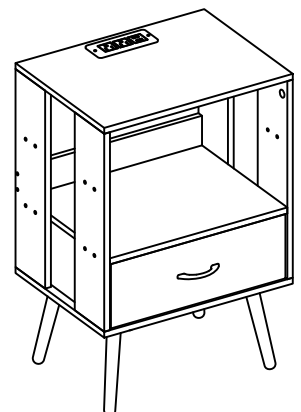


⑩ x1

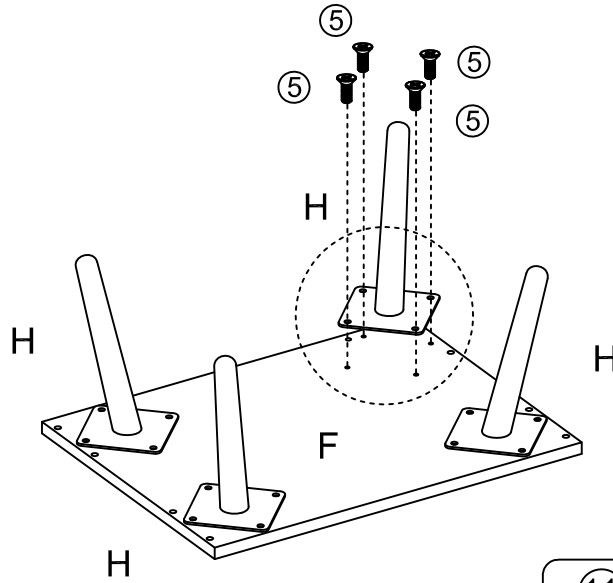
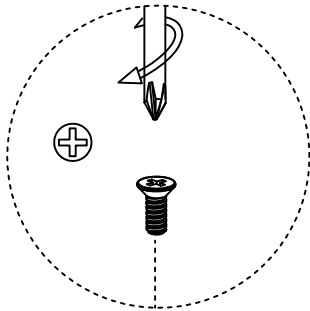
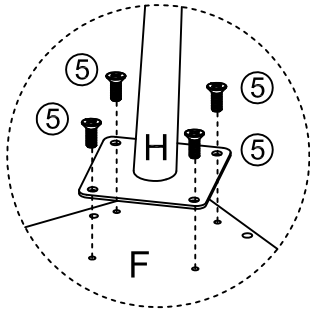





INSTALLATION B



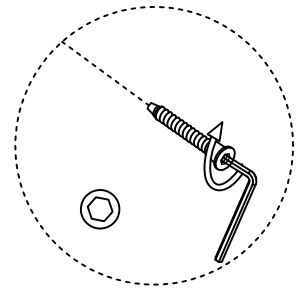
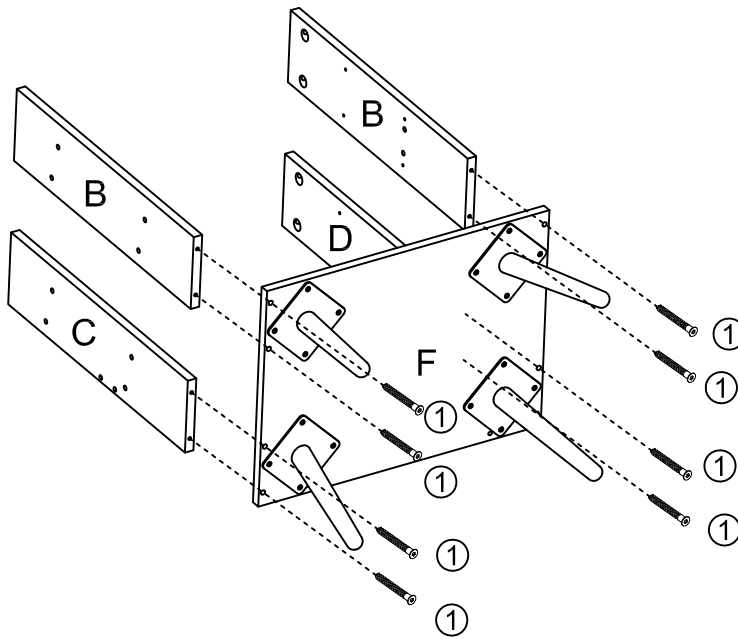
STEP 13 INSTALLATION B



⑪ x1 

⑤ x16 

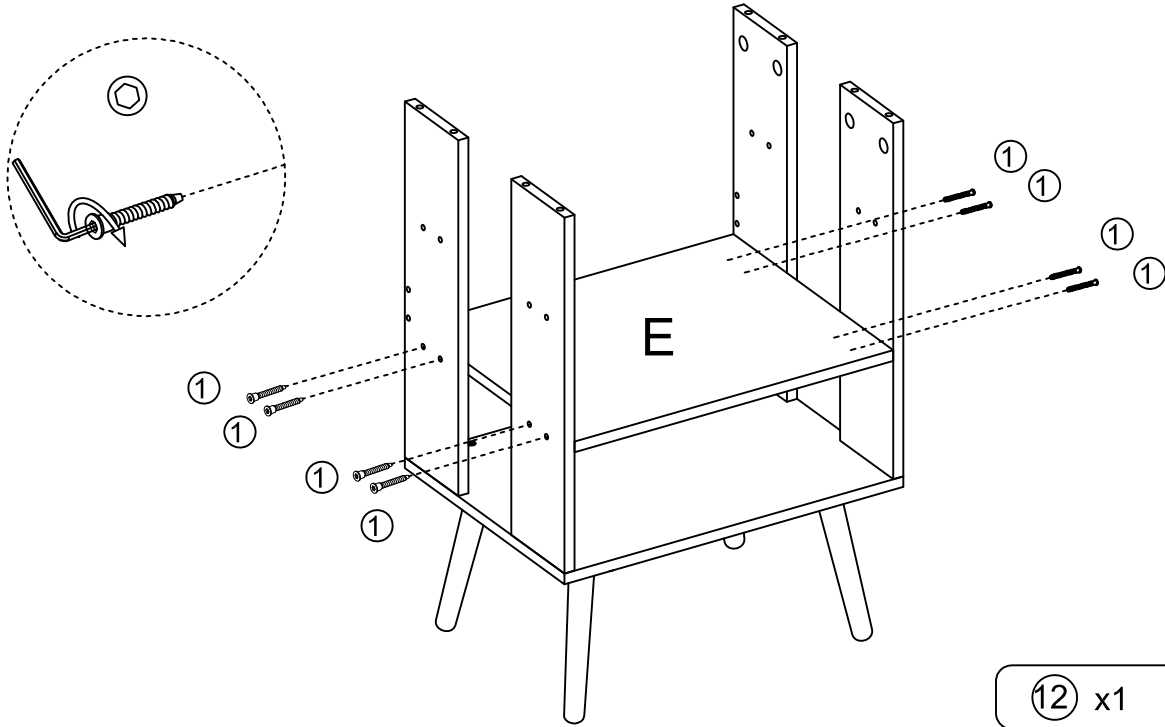
STEP 14 INSTALLATION B




⑫ x1 

① x8 

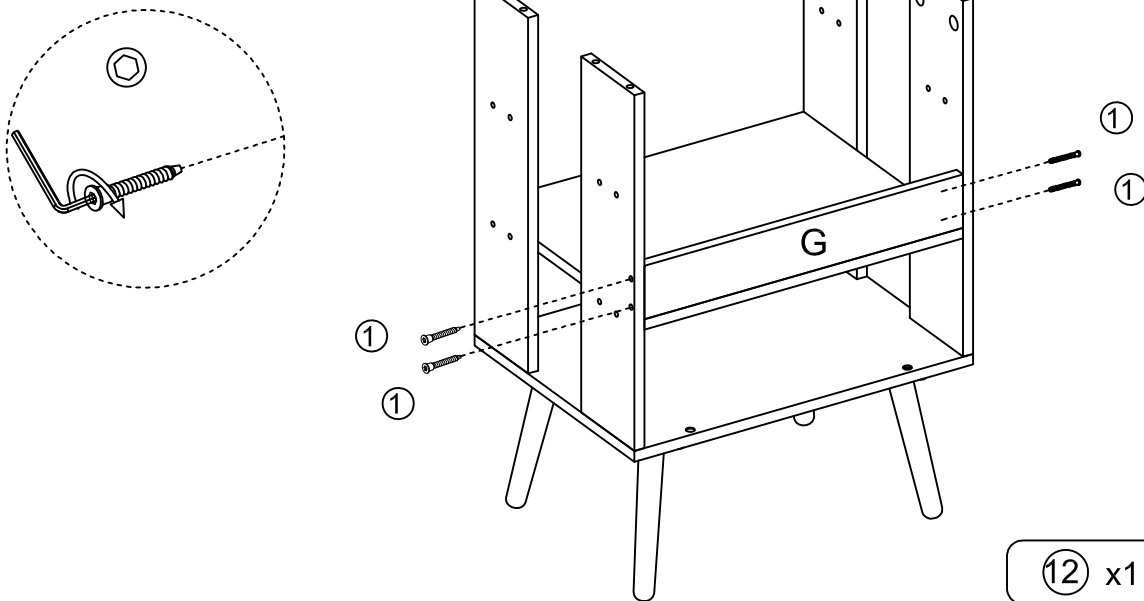
STEP 15 INSTALLATION B



(12) x1 

(1) x8 

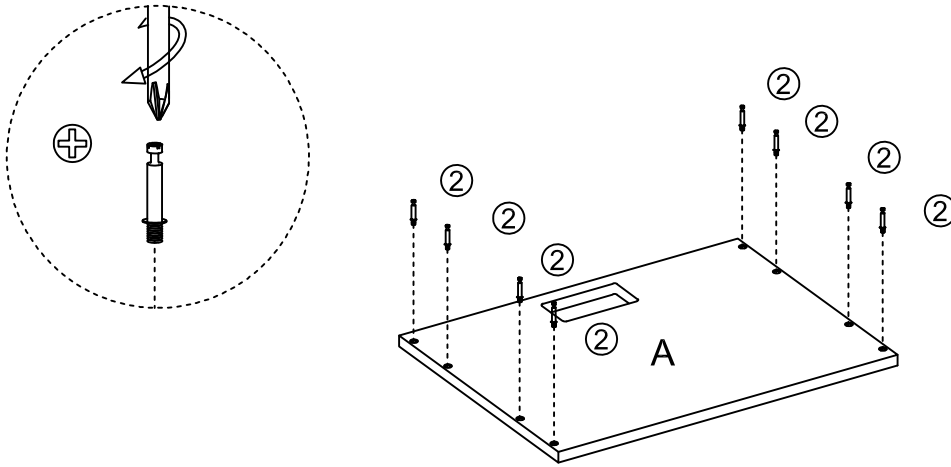
STEP 16 INSTALLATION B




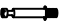
(12) x1 

(1) x4 

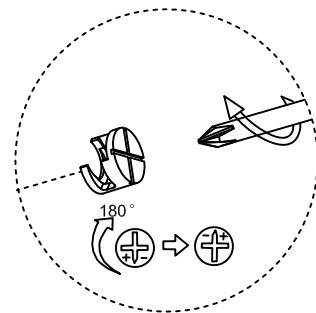
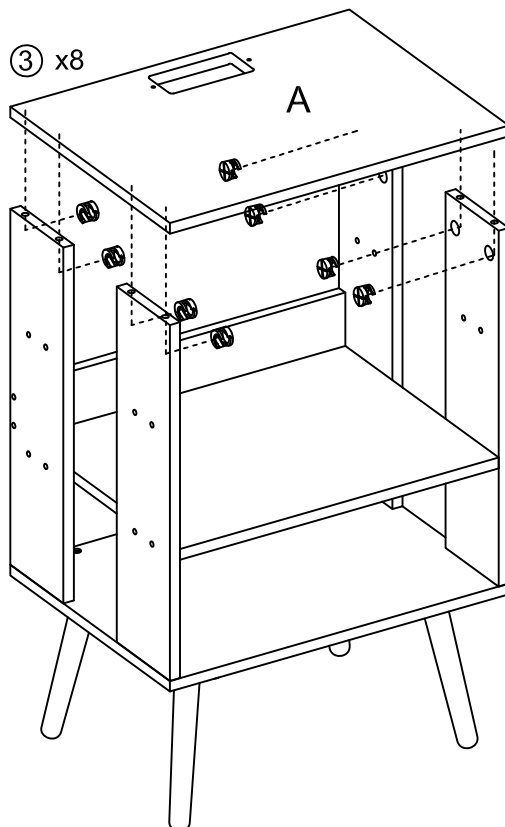
STEP 17 INSTALLATION B




⑪ x1 

② x8 

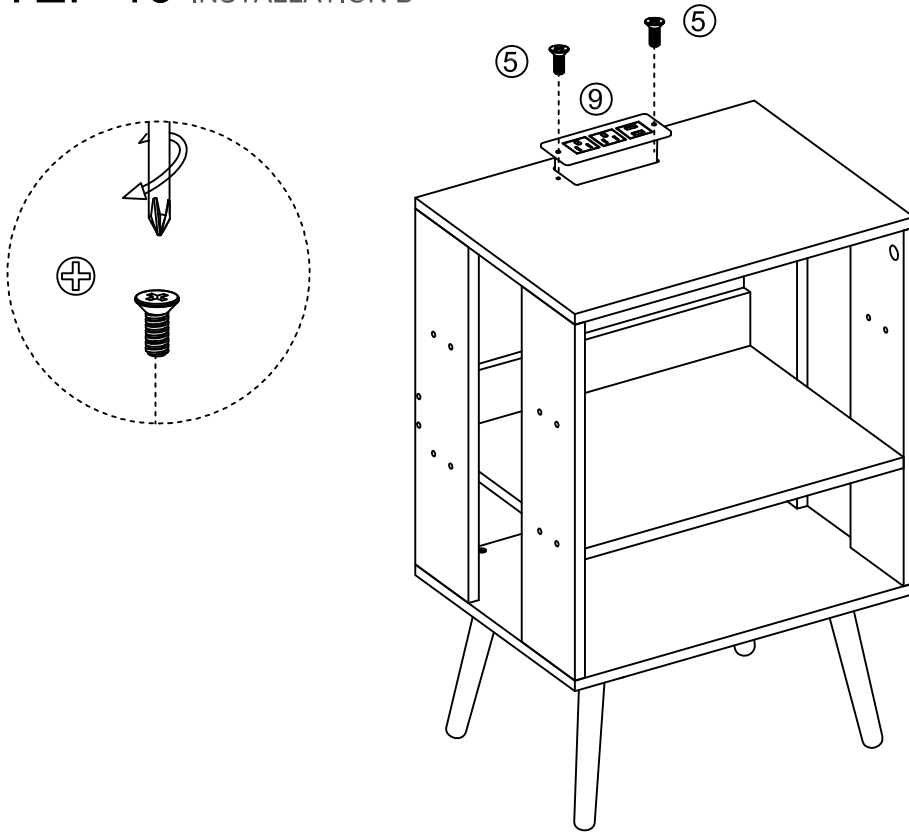
STEP 18 INSTALLATION B






⑪ x1 


③ x8 

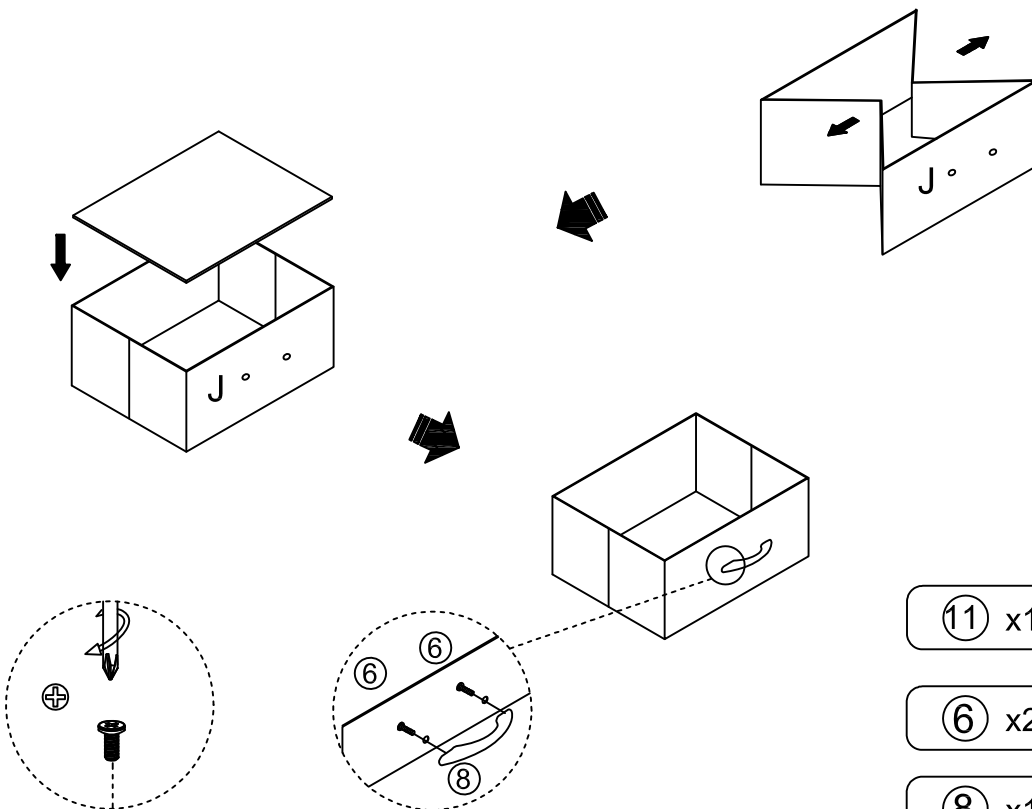
STEP 19 INSTALLATION B






- (11) x1 
- (5) x2 
- (9) x1 

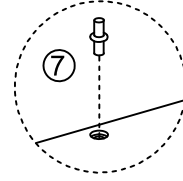
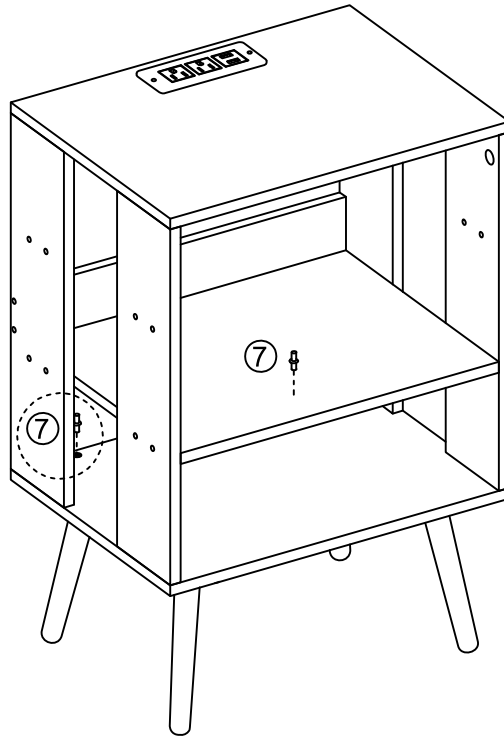
STEP 20 INSTALLATION B


 Do not fully tighten the screws yet.



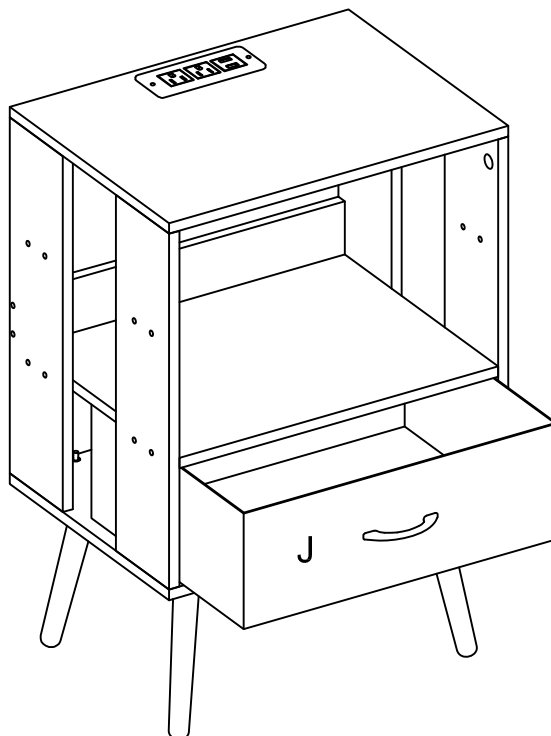
- (11) x1 
- (6) x2 
- (8) x1 

STEP 21 INSTALLATION B

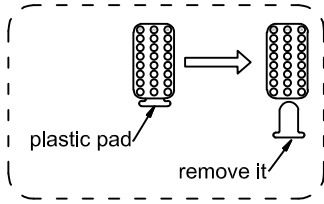


⑦ x2 

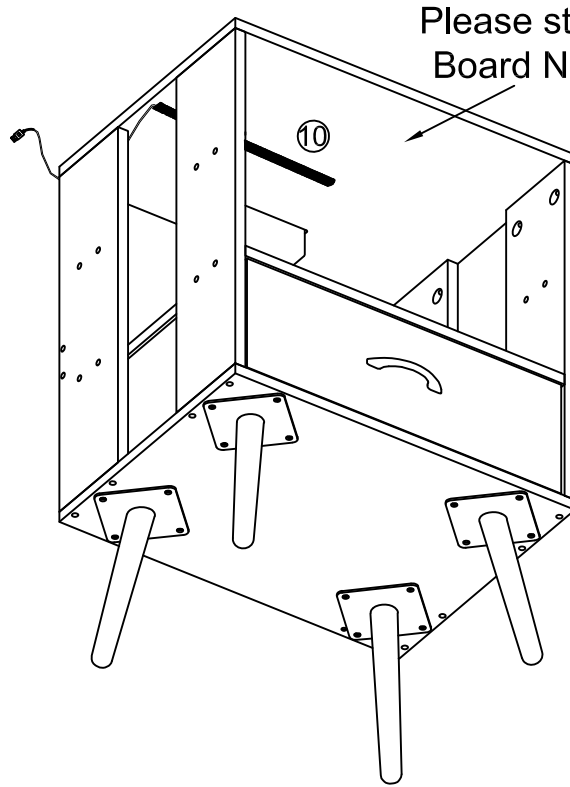
STEP 22 INSTALLATION B



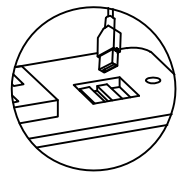
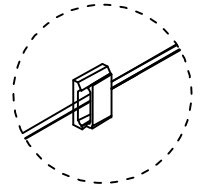
STEP 23 INSTALLATION B



Please pull the plastic block out of the remote control.



Please stick the light strip onto Board No. A



10 x1 

Congratulation:

Congratulations to you on completing the assembly of the product through your own efforts, you have done a great job.

The assembly of this product may have been difficult, but you still had the patience and perseverance to get it done.

Notes:

1. If there are any defective or missing parts after unpacking, please stop assembly and immediately contact us.
2. The product is designed for indoor use only and must be assembled and used according to the provided manual. Modifying or altering the product from its original design may result in personal injury or damage to the product.

Product Maintenance:

1. Please place this item on the level solid ground.
2. Please do not stand or sit on the wooden boards.
3. Avoid long-term exposure to humid environments to prevent mildew.
4. Keep the product away from high temperature environments or fire sources.
5. If accidentally spill water or another liquid on the surface, immediately wipe with a dry towel.
6. Regularly inspect the tightness of screws while using the product. If necessary, re-tighten to ensure structural stability.