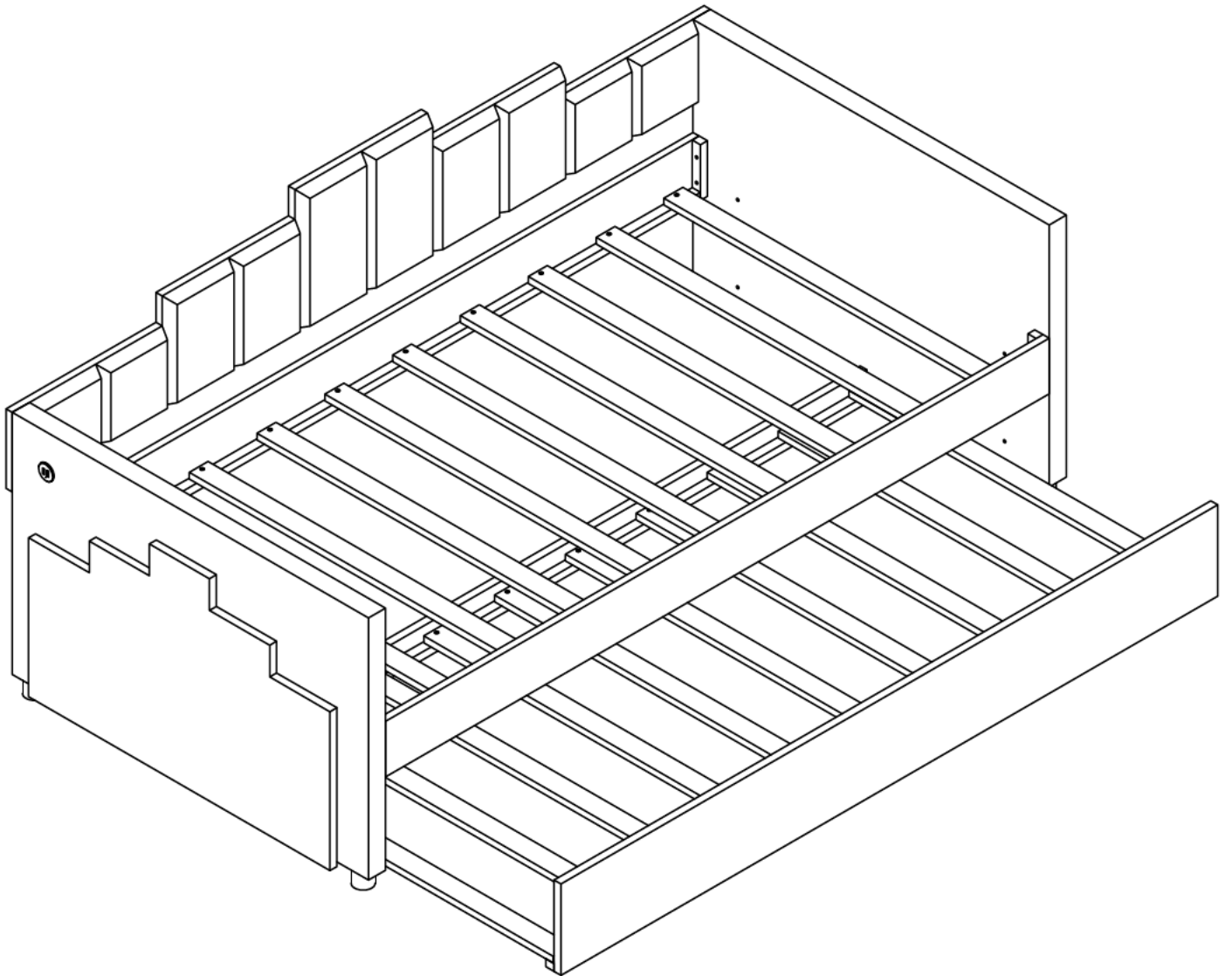
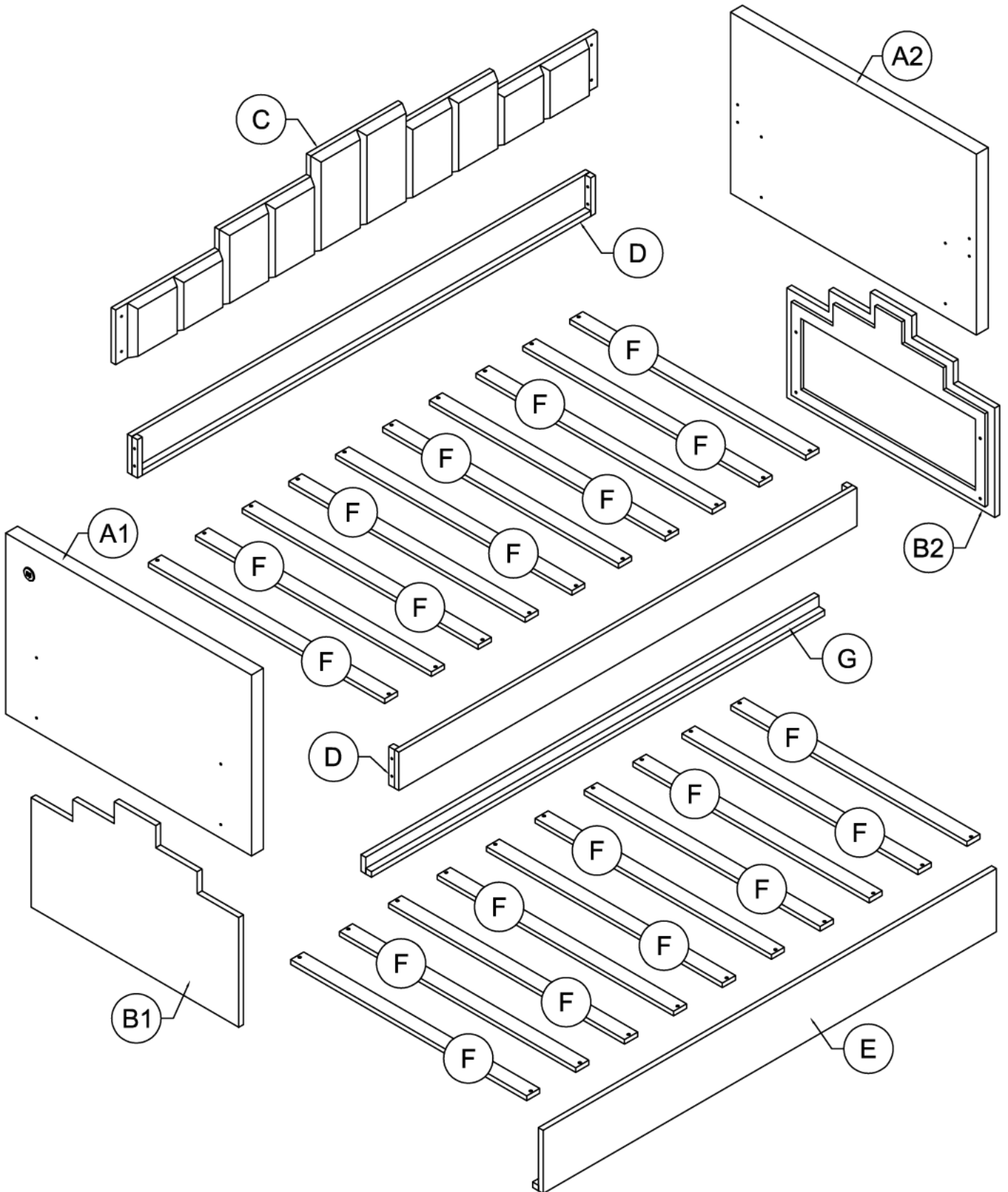


ASSEMBLY INSTRUCTION

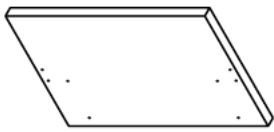


ASSEMBLY INSTRUCTION



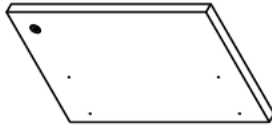
Part List

A1



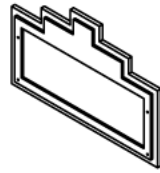
Right Arm - 1pcs

A2



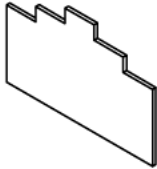
Left Arm - 1pcs

B1



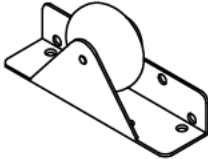









Arm Accessories - 1pcs

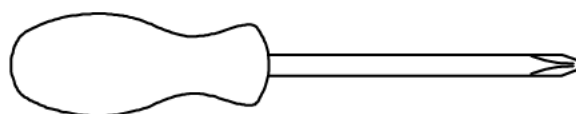
B2



Arm Accessories - 1pcs

Hardware List

1  Wheels 4pcs	2  M4 x 30 mm Wood Screws 40pcs	3  Allen Key 1pcs
4  Plastic Feet(Ø50x40) 4pcs	5  Steel Bracket 3pcs	6  Plastic Drawer Stopper 4 pcs
7  M4 x 15 mm Wood Screws 24pcs	8  1/4" x 80mm Hex-Head bolts 8pcs	9  1/4" x 50mm Hex-Head bolts 8pcs
10  1/4" x 60mm Wood Screws 4pcs		



Assembly Tools Required (Not Included)

Part List

C



Back Panel - 1pcs

D



Side Rails - 2pcs

E



Font Trundle - 1pcs

F





Slats - 20pcs

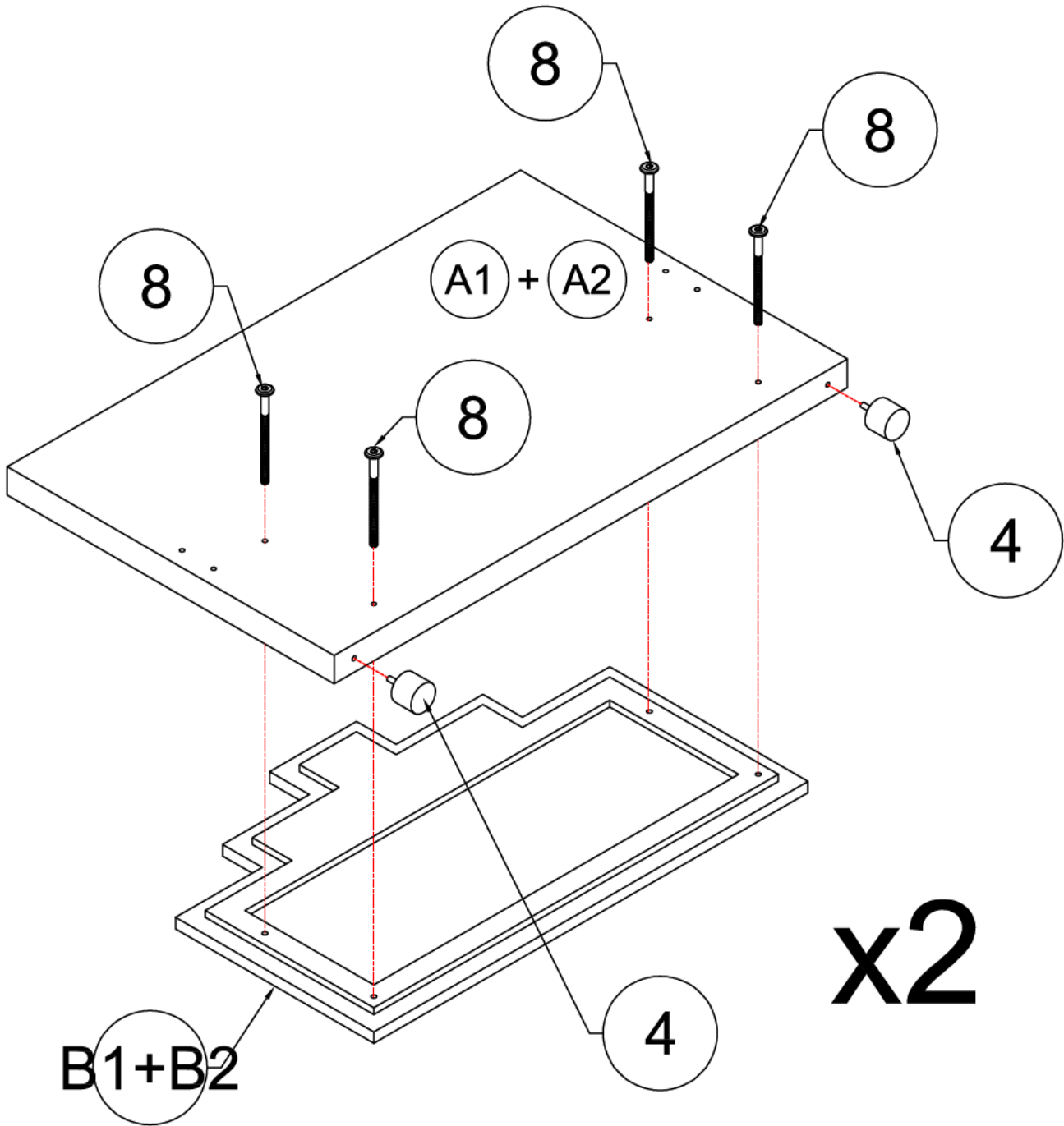
G




Back Trundle - 1pcs

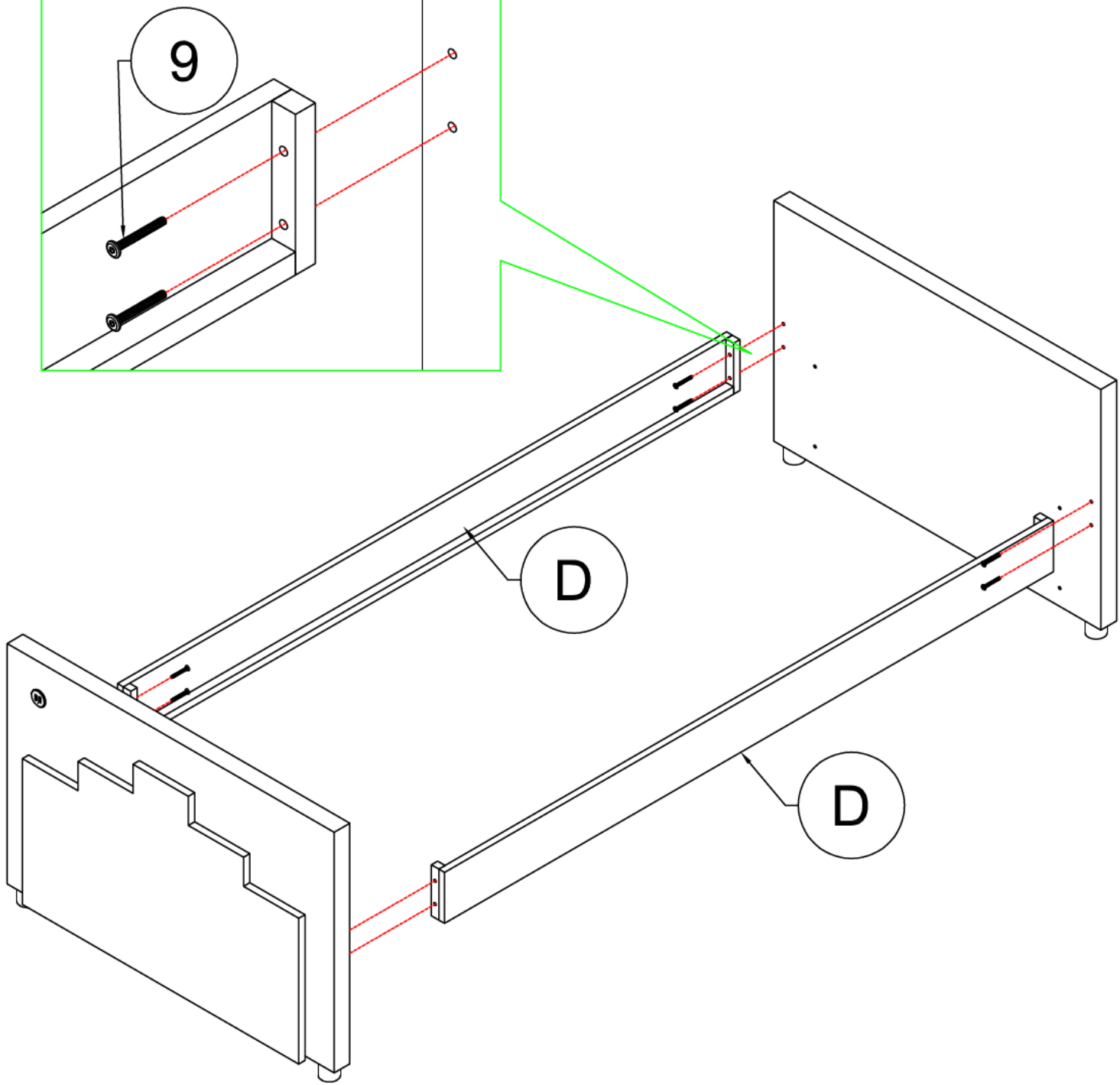
STEP 1: Following below illustration:

8	4
	
8pcs	4pcs




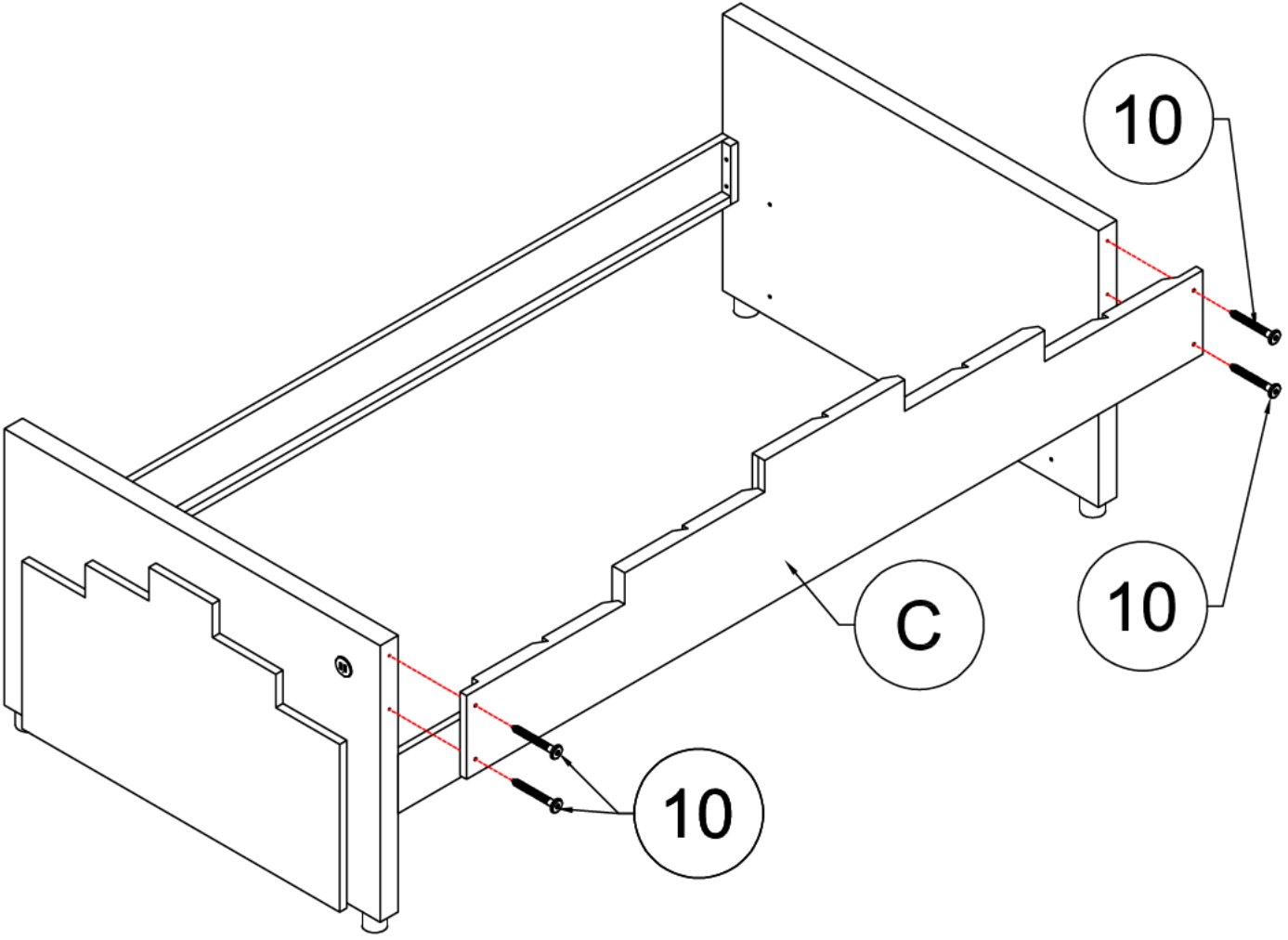
STEP 2: Following below illustration:

9

8pcs






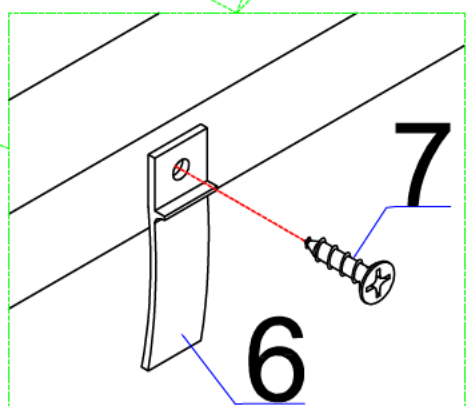
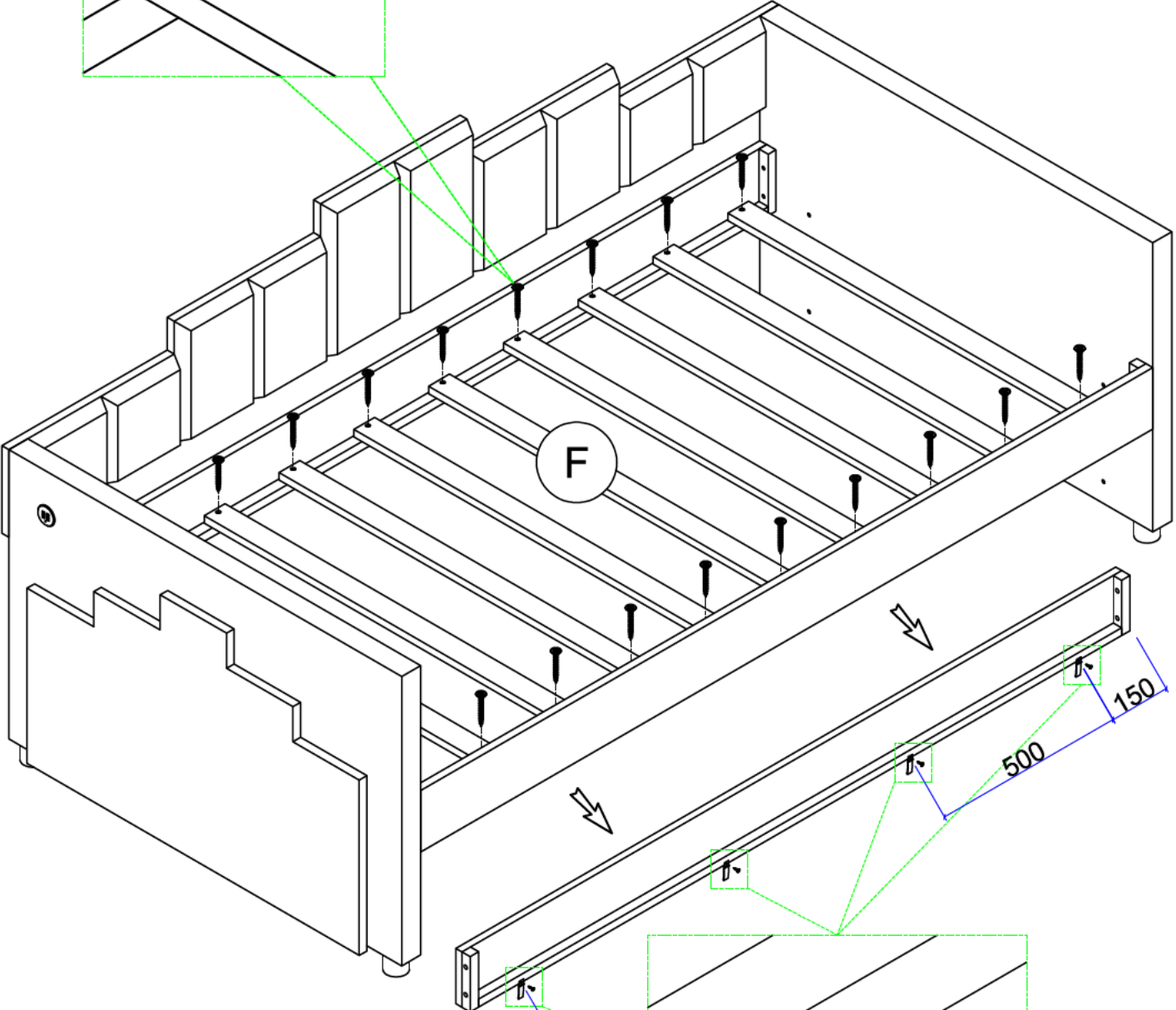
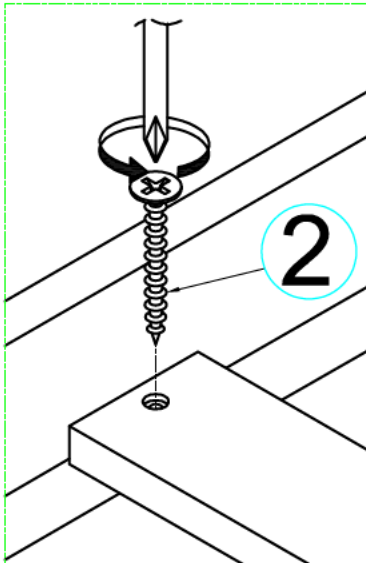
STEP 3: Following below illustration:

10

4pcs



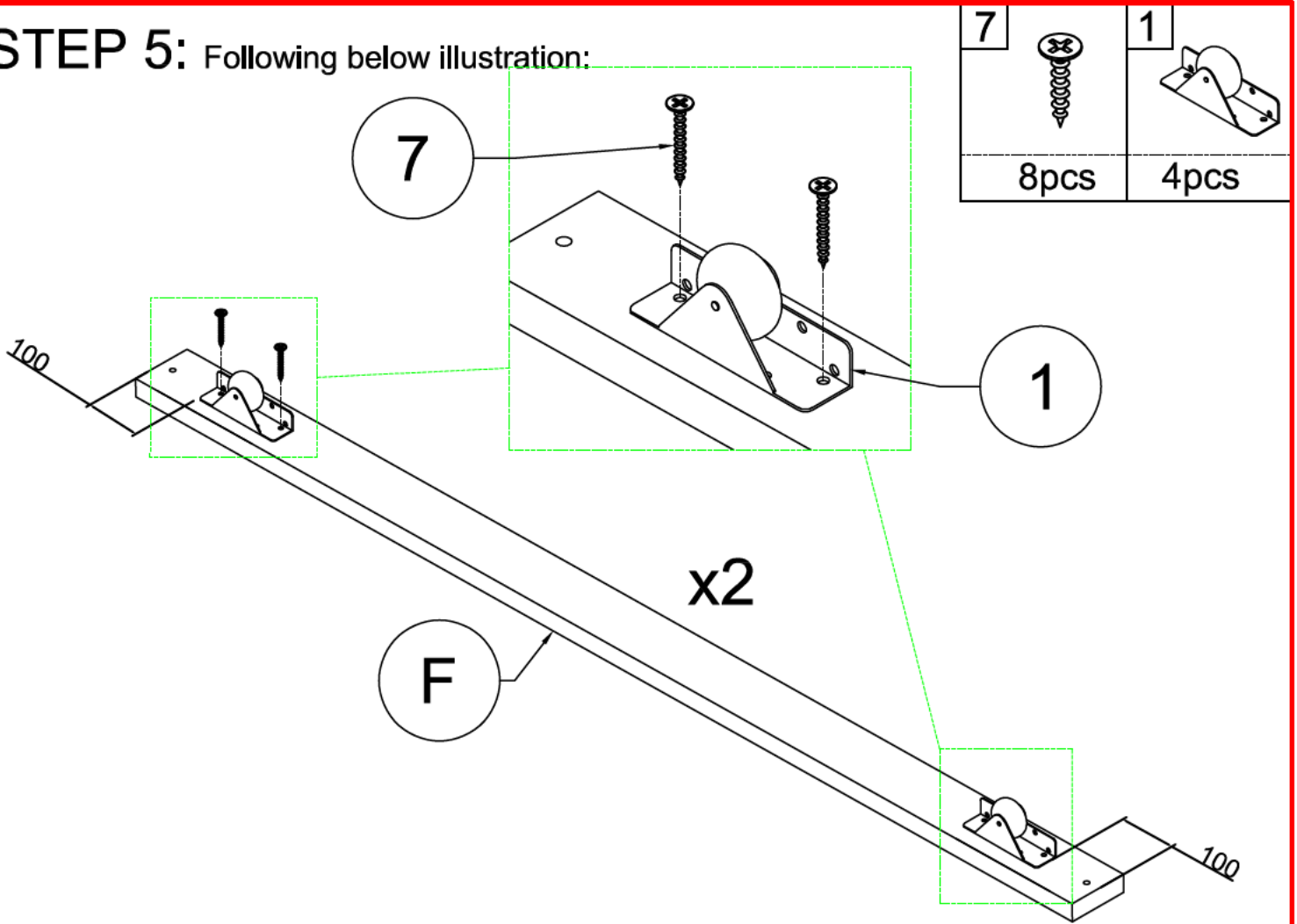
STEP 4: Following below illustration:

6		7		2	
4pcs		4pcs		20pcs	

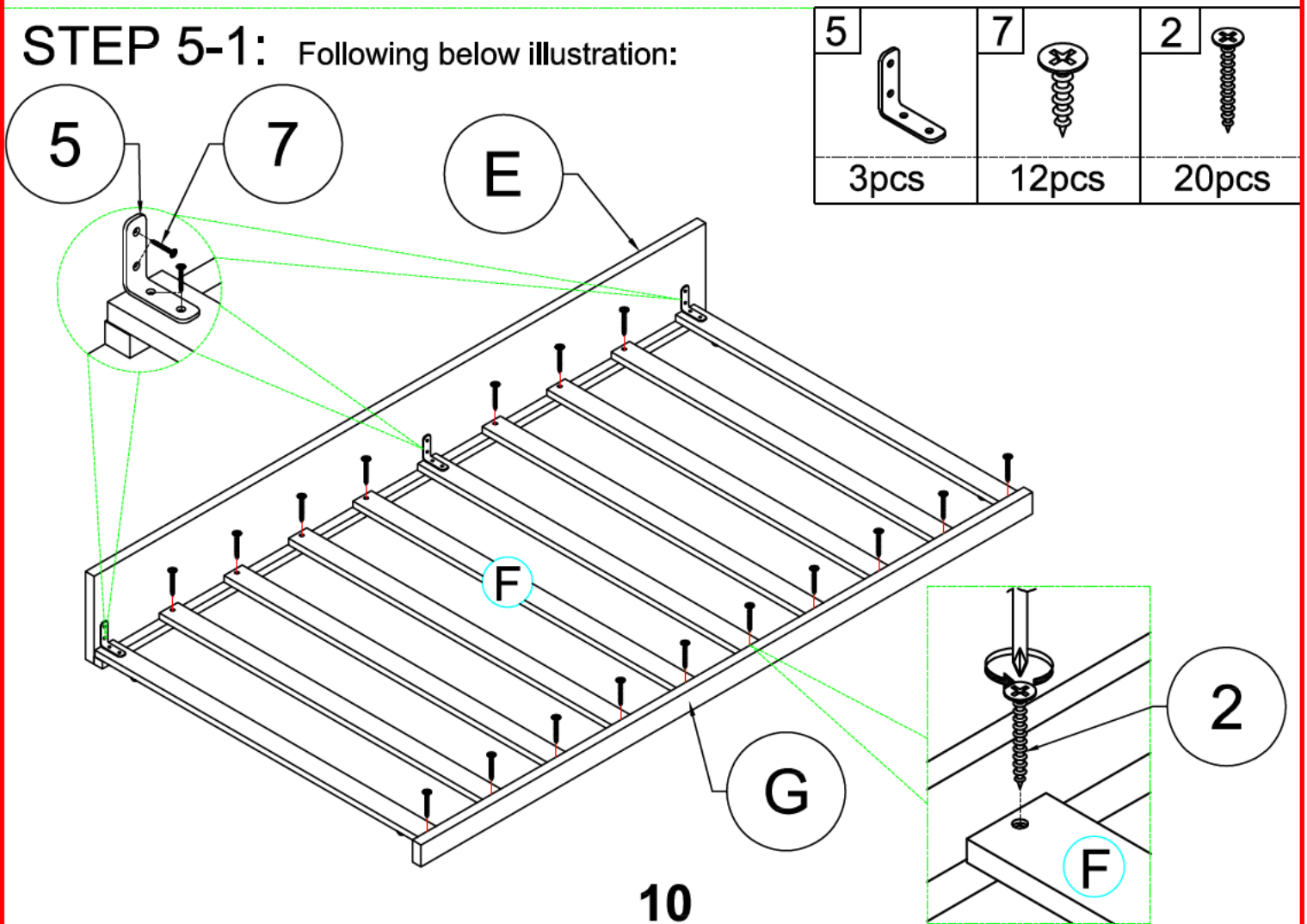


9

STEP 5: Following below illustration:



STEP 5-1: Following below illustration:



FINISH

