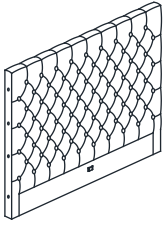
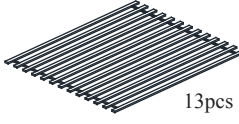


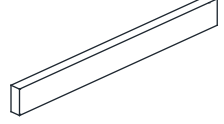
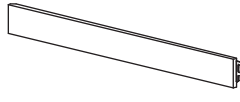
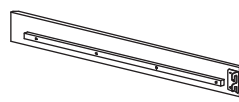

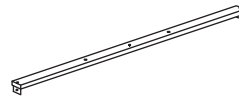
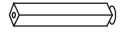


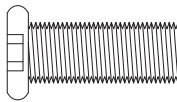
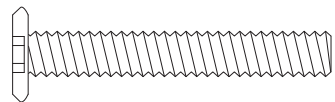
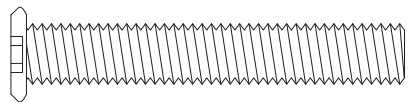

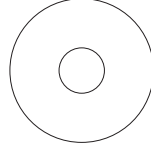

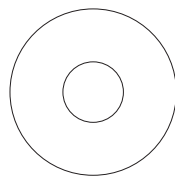
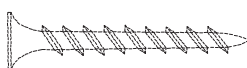
# ASSEMBLY INSTRUCTION

ITEM : 7534/7535/7536 (FULL/QUEEN)

## PART LIST

<p><b>1. HEADBOARD PANEL</b></p>  <p>x 1PC</p>	<p><b>2. ROLL SLAT</b></p>  <p>13pcs x 1 SET</p>	<p><b>3. LEFT WING (with "L" label)</b></p>  <p>x 1PC</p>	<p><b>4. RIGHT WING (with "R" label)</b></p>  <p>x 1PC</p>	<p><b>5. FOOTBOARD PANEL</b></p>  <p>x 1PC</p>
<p><b>6. LEFT BED RAIL</b></p>  <p>x 1PC</p>	<p><b>7. RIGHT BED RAIL</b></p>  <p>x 1PC</p>	<p><b>8. LEG</b></p>  <p>x 6PCS</p>	<p><b>9. CENTER RAIL</b></p>  <p>x 1PC</p>	<p><b>10. CENTER RAIL SUPPORT WITH LEVELER</b></p>  <p>x 3PCS</p>

## HARDWARE LIST (IN ACTUAL SIZE/SCALE FOR REFERENCE)

<p><b>A. JCBB SCREW M8 x 20mm</b></p>  <p>x 4PCS</p>	<p><b>B. JCBC SCREW M6 x 40mm</b></p>  <p>x 11PCS</p>	<p><b>C. JCBC SCREW M8x 50mm</b></p>  <p>x 4PCS</p>
<p><b>D. SPRING WASHER M6 x 12mm</b></p>  <p>x 8PCS</p>	<p><b>E. FLAT WASHER M6 x 19mm</b></p>  <p>x 8PCS</p>	<p><b>F. SPRING WASHER M8 x 14mm</b></p>  <p>x 4PCS</p>
<p><b>G. FLAT WASHER M8 x 22mm</b></p>  <p>x 4PCS</p>	<p><b>H. SCREW M4 x 32mm</b></p>  <p>x 11PCS</p>	

# ASSEMBLY INSTRUCTION

ITEM : 7534/7535/7536 (FULL/QUEEN)

I. L-KEY  
M4 x 100mm



x 1PC

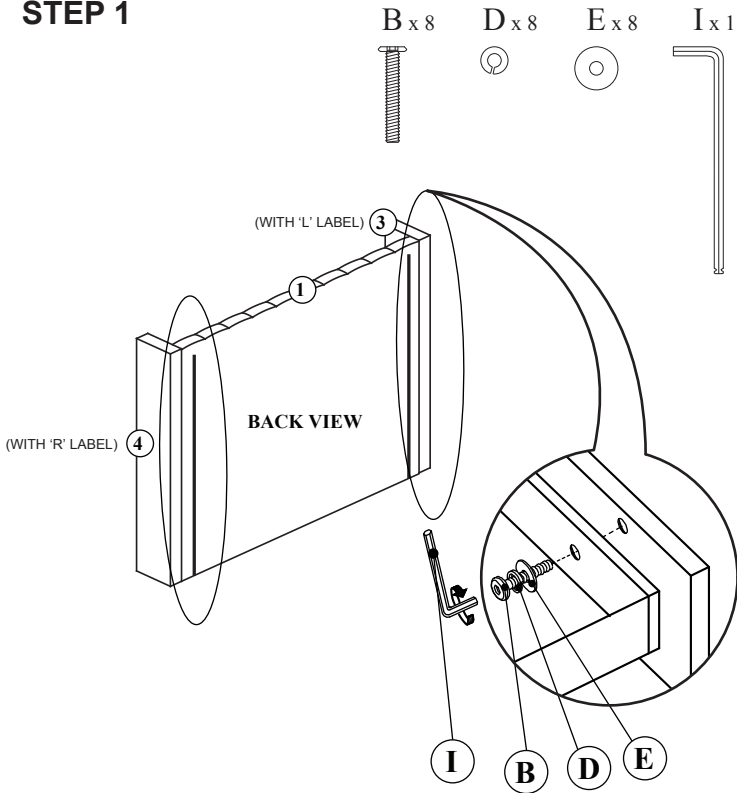
J. L-KEY  
M5 x 65mm



x 1PC

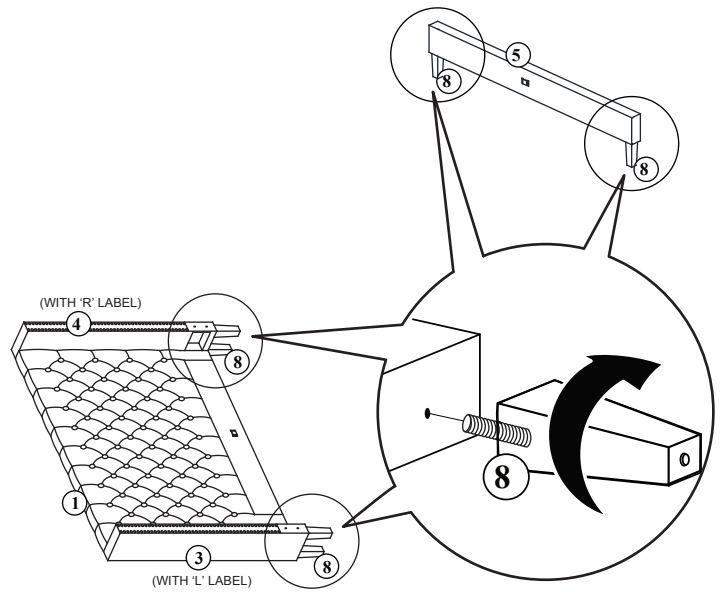
**ITEM : 7534/7535/7536 (FULL/QUEEN)**

**STEP 1**



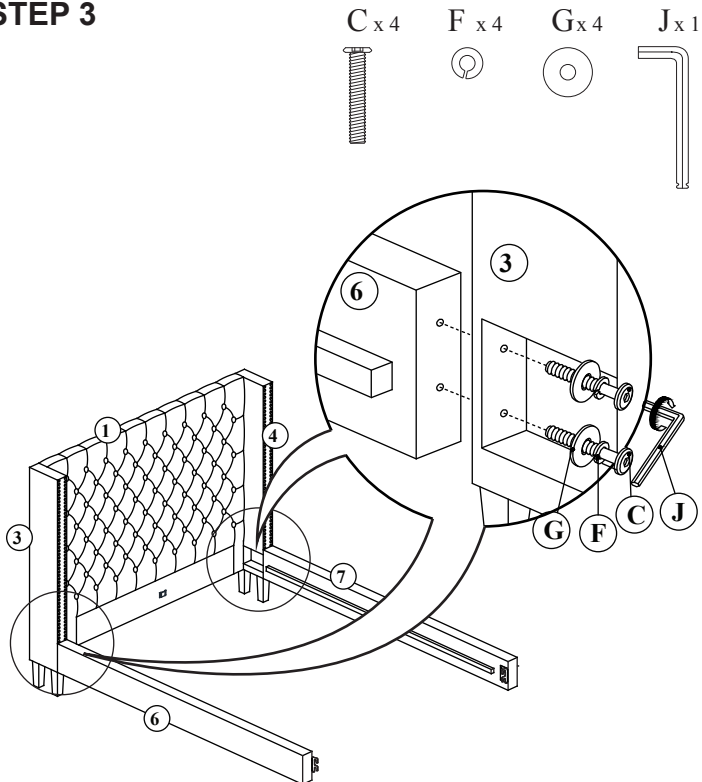
Attaching each Wing (3) & (4) to each side of Headboard (1) by aligning the hole and securing with 4 Allen bolts (B), 4 Spring Washers (D), 4 Flat Washers (E) per side using L-key (I).

**STEP 2**



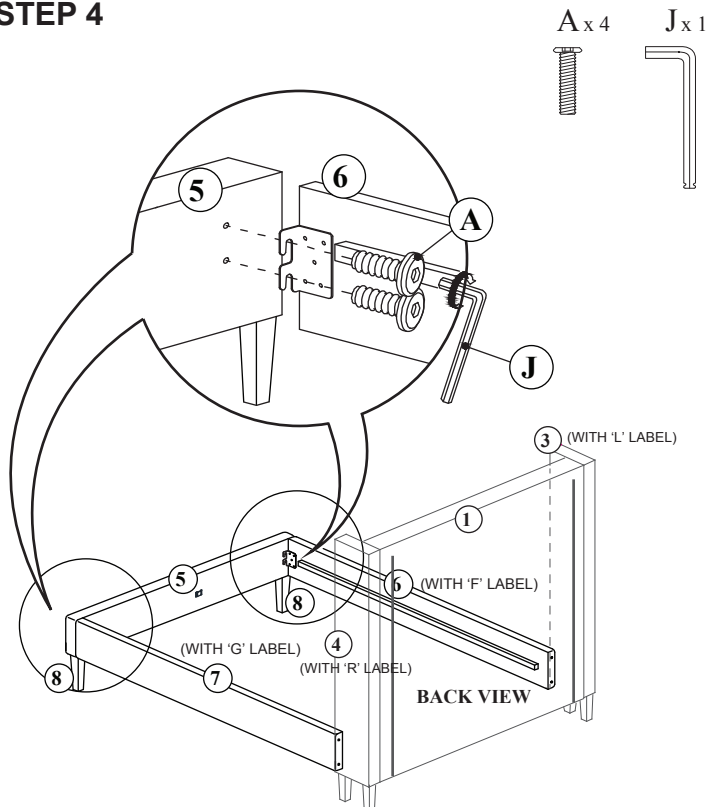
Secure 4 pieces of Legs (8) to the bottom of Wing (3) and (4). Tighten the Legs (4) lockwise until secure. Then secure another 2 pieces of Legs (8) to the Footboard (5) by using same method.

**STEP 3**



Attach Side Rail (6) and (7) to Wing (3) and (4) by securing with 2 Allen Bolts (C), 2 Spring Washers (F), 2 Flat Washers (G) using L-key (J).

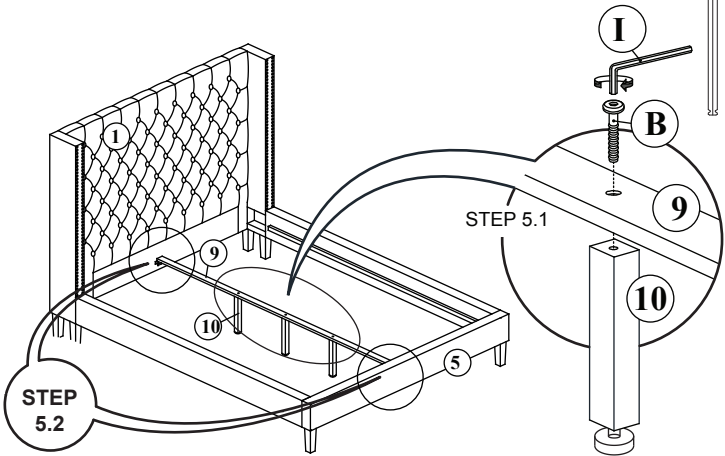
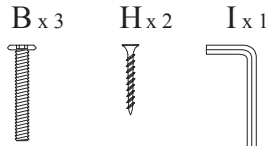
**STEP 4**



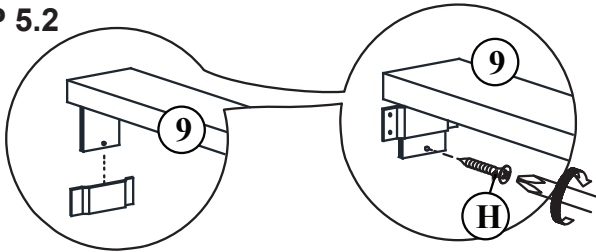
Attach Side Rail (6) and (7) to Footboard (5) by securing with 2 Allen Bolts (A) using L-key (J). Insert the bolts into Footboard (5) but do not tighten it in all the way. After, hook on the rail onto the bolt and tighten the bolt when the rails are hooked on properly.

**ITEM : 7534/7535/7536 (FULL/QUEEN)**

**STEP 5.1**



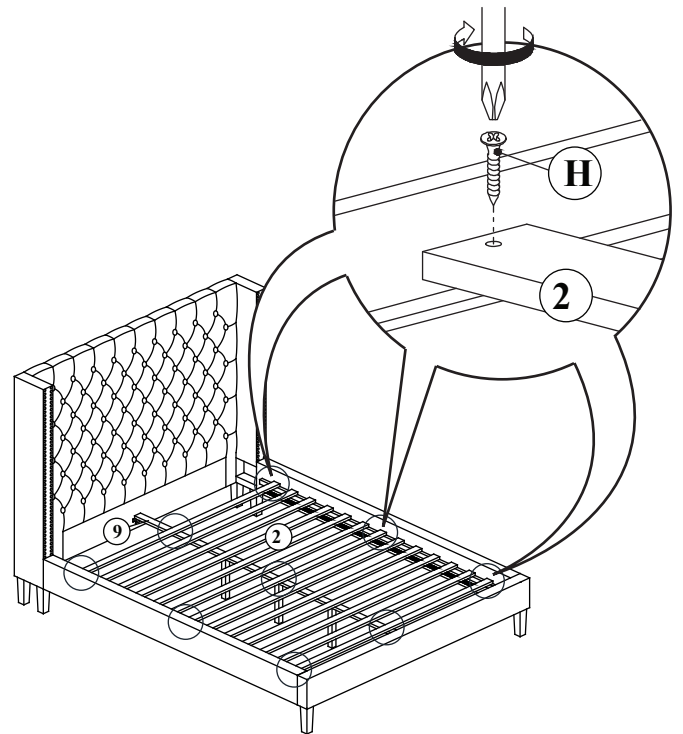
**STEP 5.2**



**5.1**  
Attach 3 Center Rail Support with leveler (10) to Center Rail (9) using Screw (B) using L-key (I).

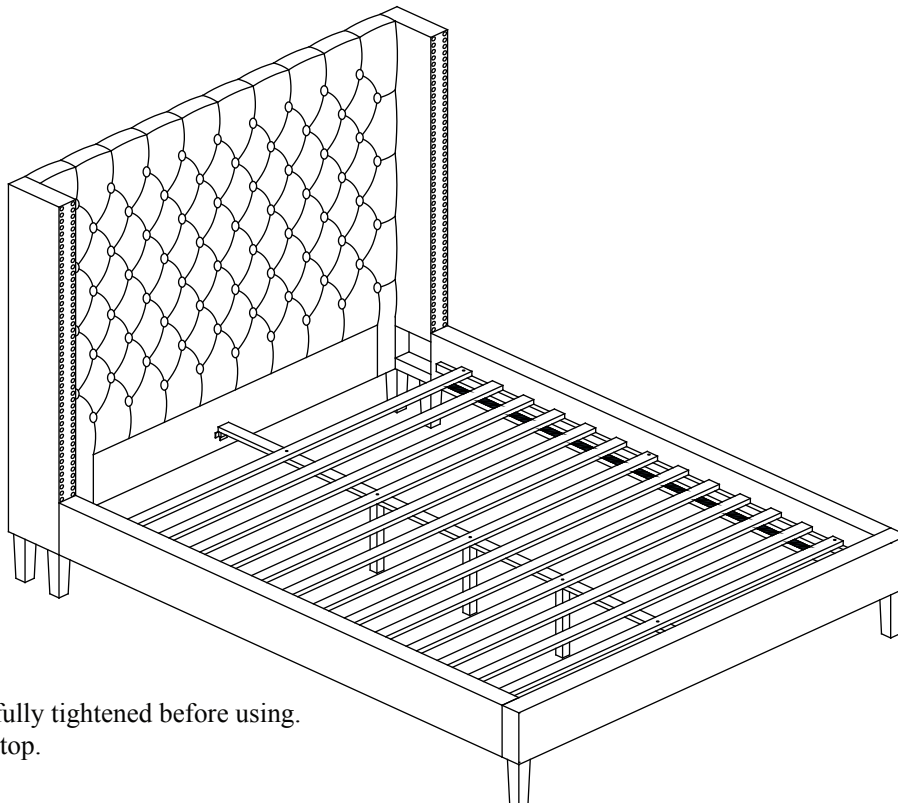
**5.2**  
Insert Center Rail (9) to the bracket (provided) on Headboard (1) & Footboard (5) and then secure with 1 Screw (H). Tighten the Screw (E) with Philips Head Screw Driver (not provide).

**STEP 6**



Attach Roll Slat (2) to Side Rail (6) & (7) using 6 Screw (H). Tighten the Screw (H) with Philips Head Screw Driver (not provide)

**STEP 7**



Your bed is now ready!  
Make sure all screw are fully tightened before using.  
Do not jump or stand on top.

ASSEMBLY  
COMPLETED