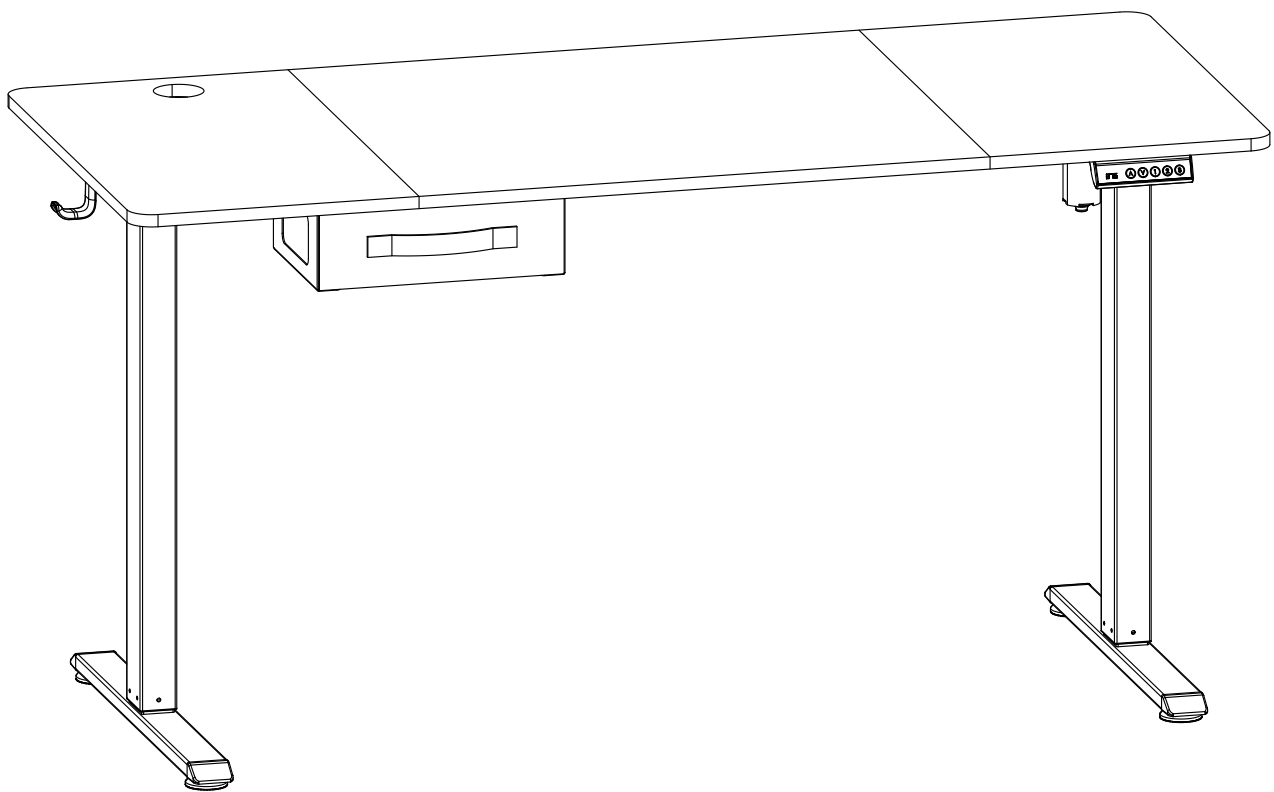


# Easton Sit-Stand Desk



Easton Desk **120/140**

User Manual

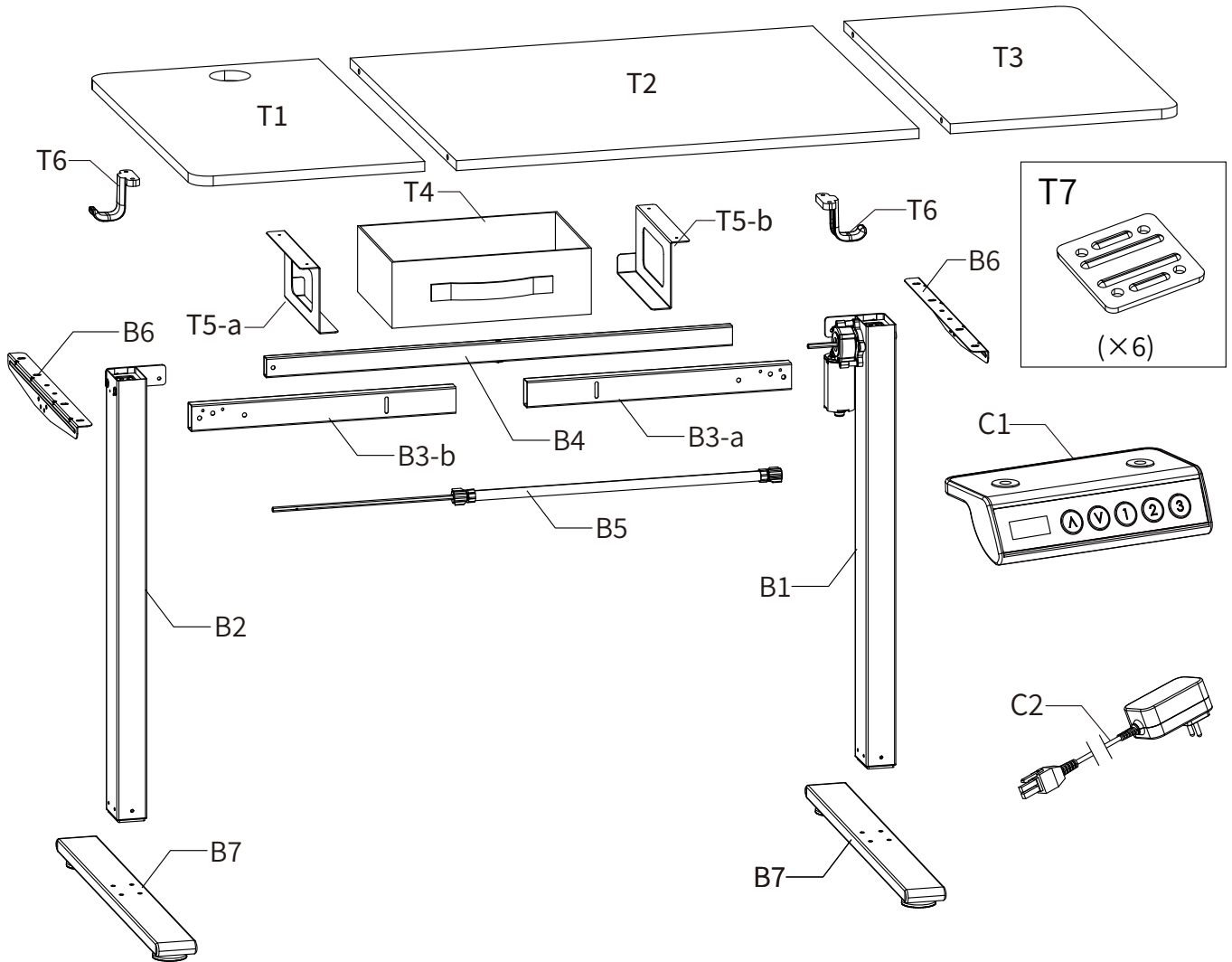
V3.0



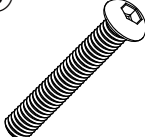
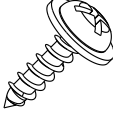
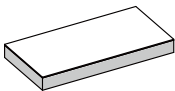
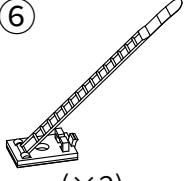
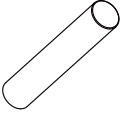
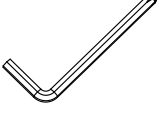
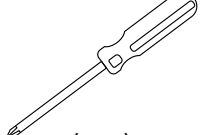
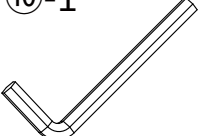
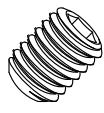
## ► Specifications

Number of Stage Column	2
Max. Load	50 kg
Max. Speed	18 mm/s
Numerical Height Display	72 - 118 cm
Working Temperature	32°F - 104°F ( 0°C - 40°C )

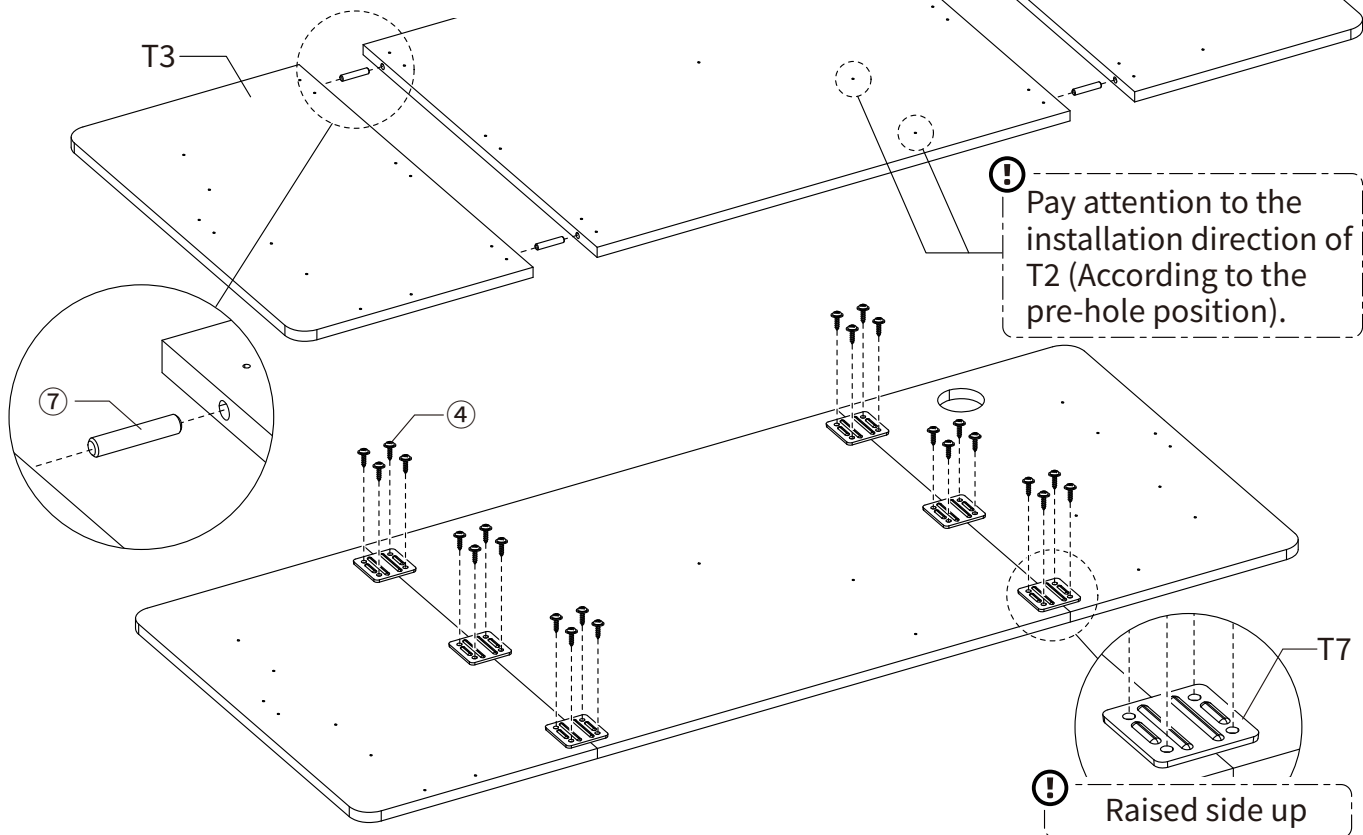
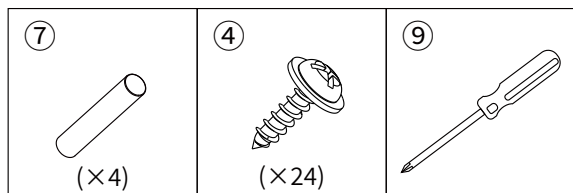
## ► Part List

This manual primarily describes product installation and operation. Illustrations may differ from the actual product.

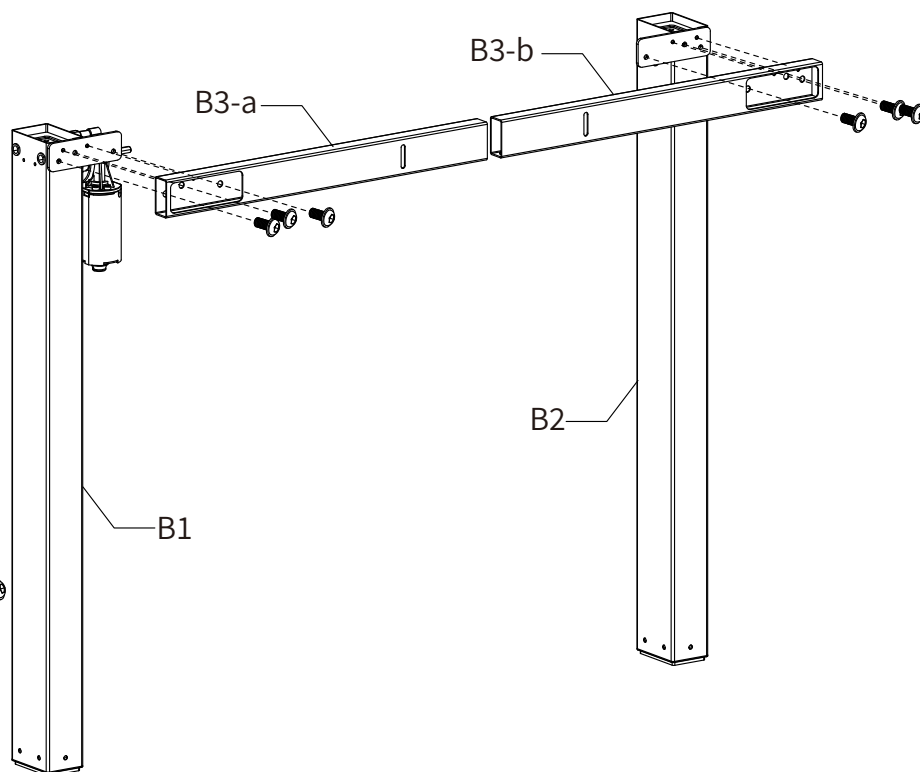
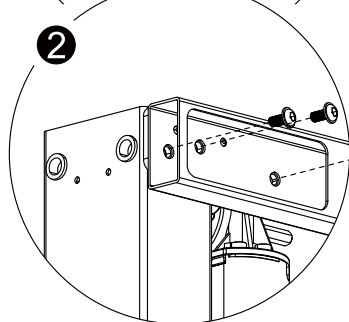
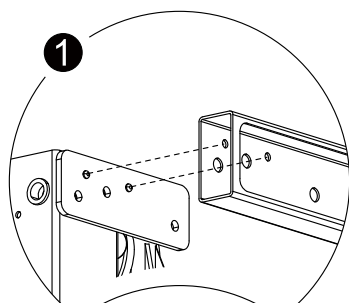
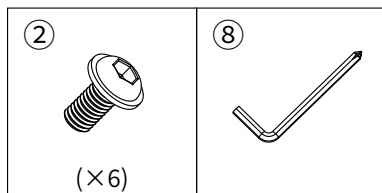


①  M6*14 (×4)	②  M6*6 (×6)	③  M6*35 (×8)	④  ST5*15 (×43)	⑤  EVA (×6)	⑥  (×2)
⑦  (×4)	⑧  C4 (×1)	⑨  (×1)	⑩-1  C5 (×1)	⑩-2  M8*10 (×4)	

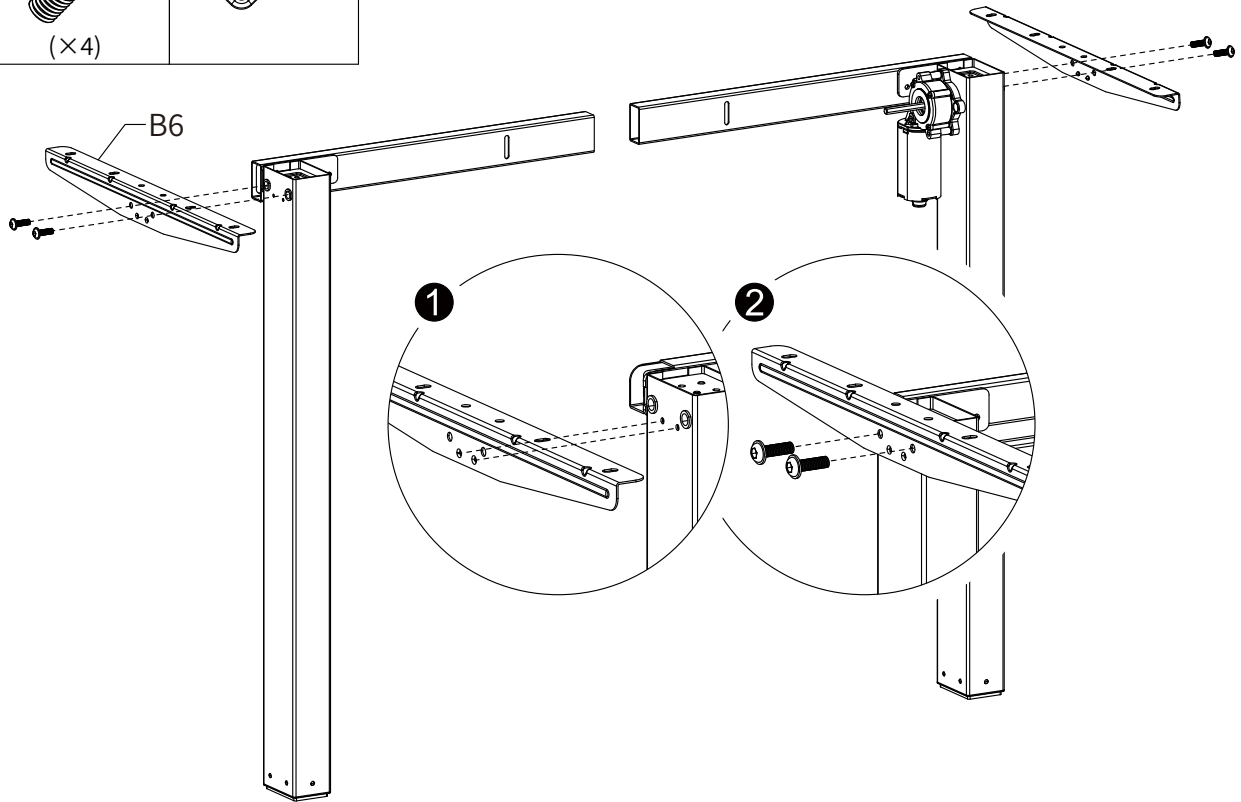
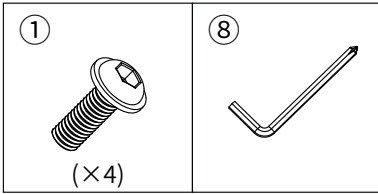
► Step 1



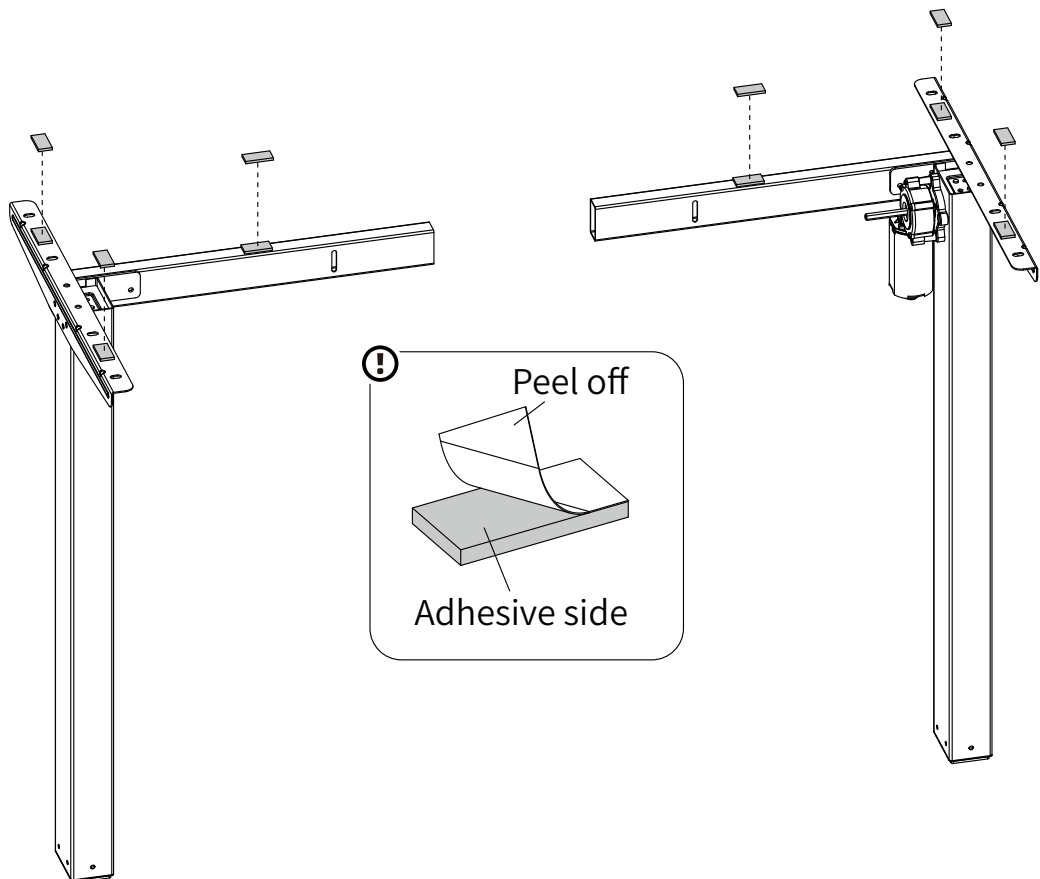
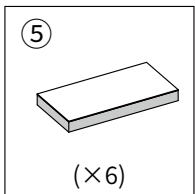
► Step 2



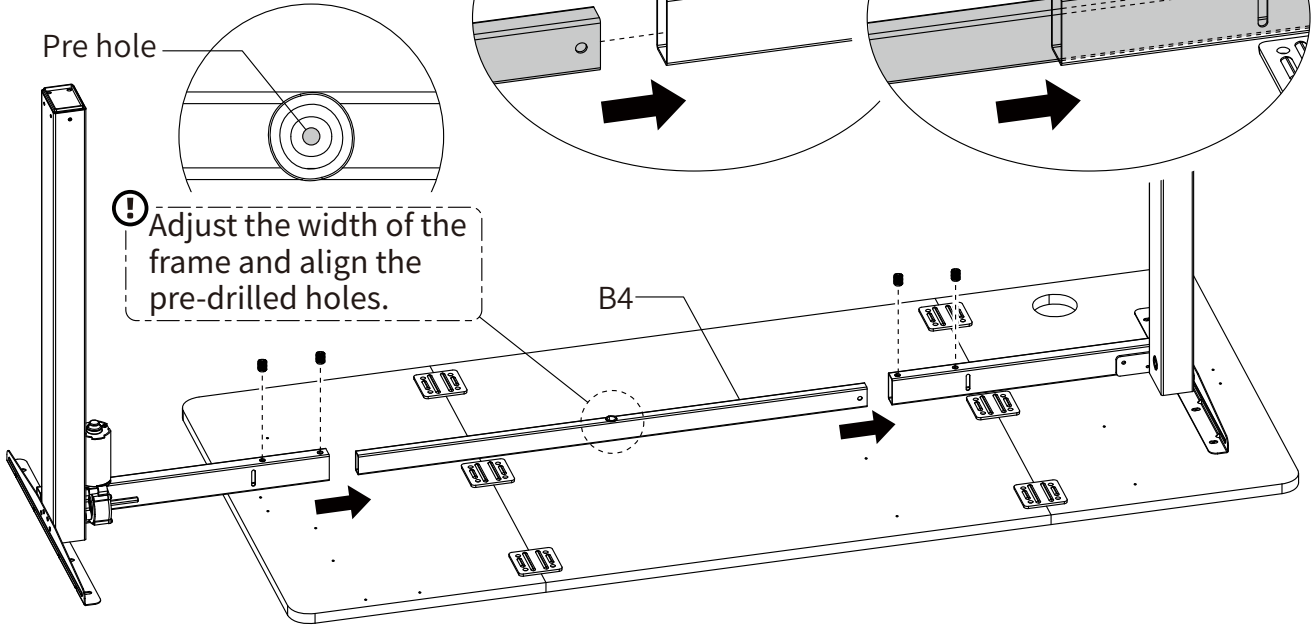
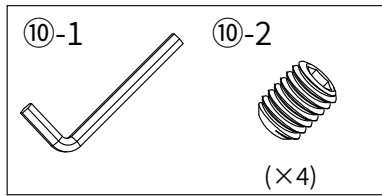
► Step 3



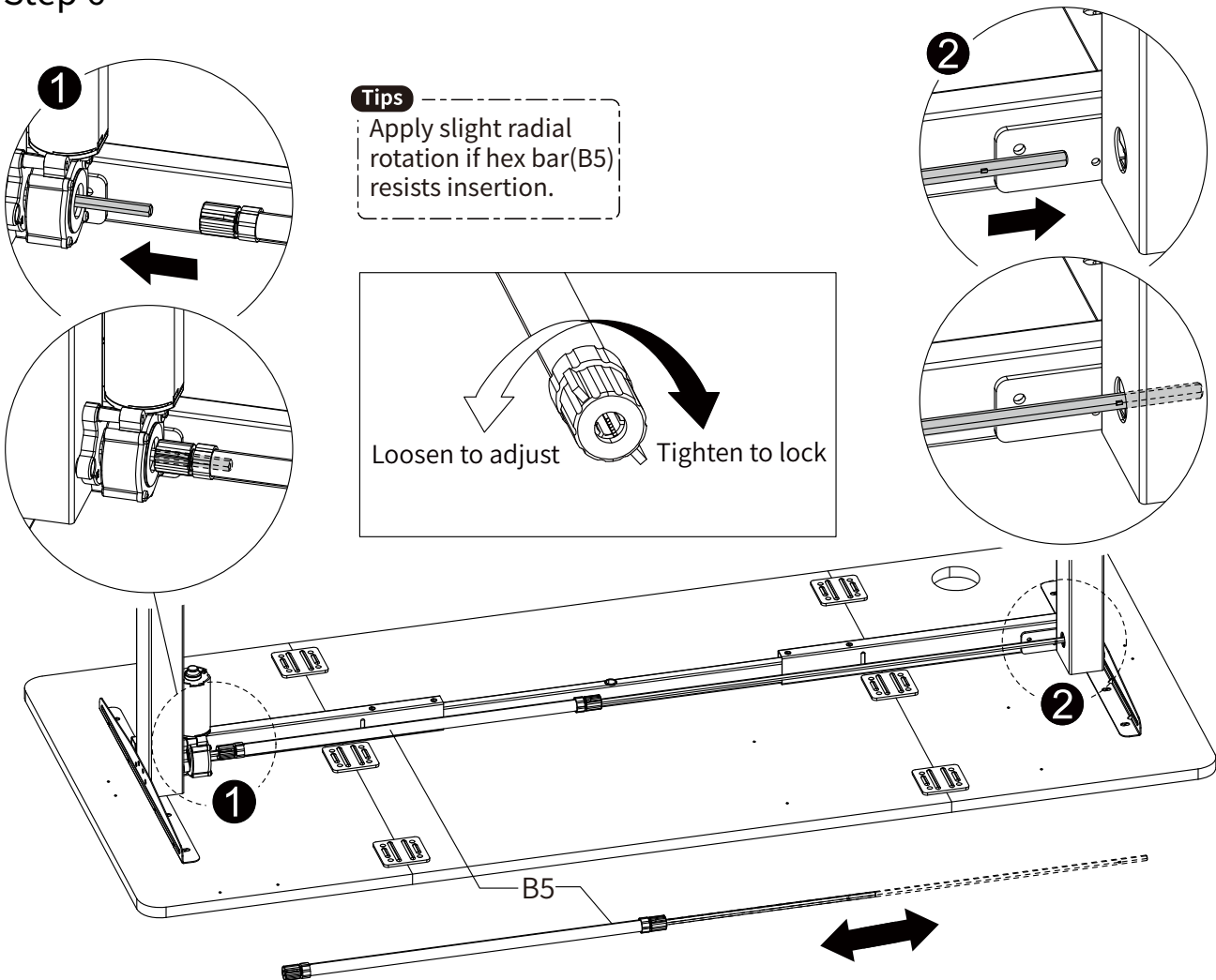
► Step 4



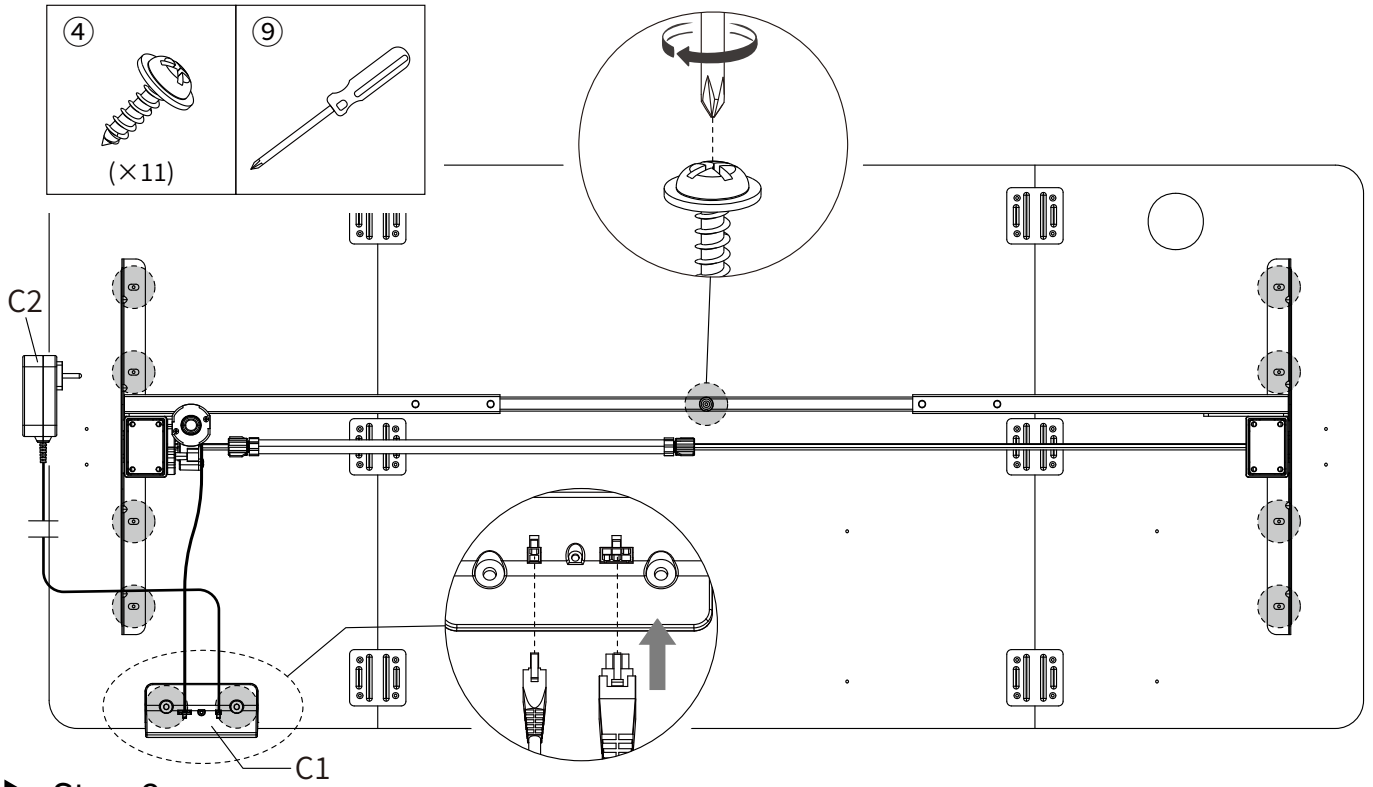
► Step 5



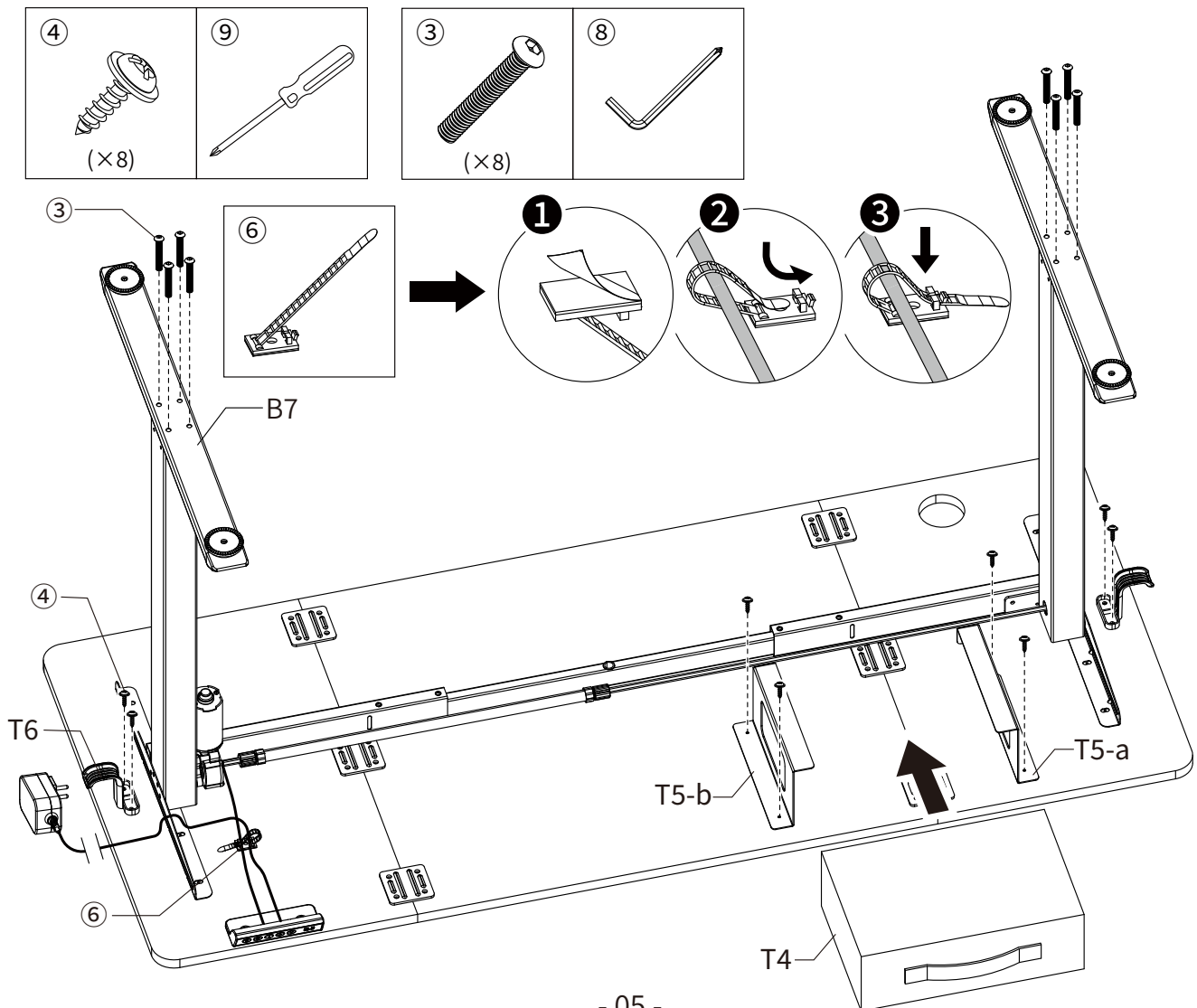
► Step 6



► Step 7

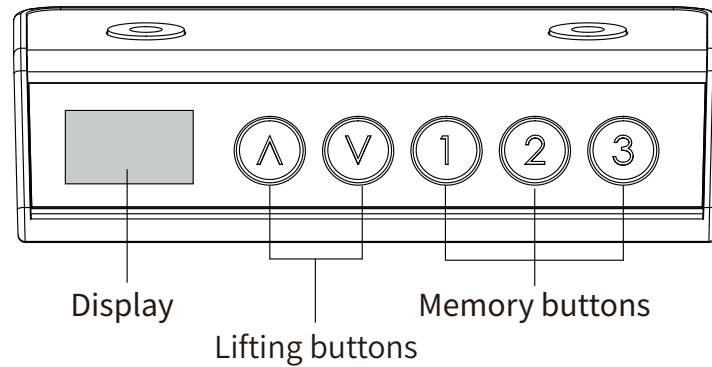


► Step 8



## ► Controller Operating Instructions

---



### First Use

It is recommended to perform a reset before using the desk for the first time.

#### 1. Reset Function

In the event of an "E10" or "E20" error alarm, or after the desk has descended to its lowest height, long-press the "v" button for 3 seconds. Release the button when "rES" appears on the display. The desk will then descend fully until it reaches the bottom, rebound slightly to a calibrated height, and complete the reset process. The displayed height will then show the lowest preset value.

#### 2. Height Adjustment Function

Press and hold the "^" button to raise the desk or the "v" button to lower it.

#### 3. Height Memory Function

To store a height setting, adjust the desk to your desired height, then press and hold button "1", "2", or "3" for more than 2 seconds. The current height will be saved to the corresponding button. To activate a saved height, briefly press the same button, and the desk will automatically adjust to the stored height.

#### 4. Screen Sleep and Wake-Up

If there is no operation for a long time, the display will automatically go to sleep. Press any button to wake up the display.

#### 5. Protection and Alarms

5.1. Anti-Collision: Displays "E02". If the desk vibrates, collides, or tilts during movement, an alarm will sound, and the desk will move in the opposite direction for a short distance. Press any button to stop this reverse movement. Ensure the desk doesn't vibrate, collide with obstacles, or tilt significantly during use.

5.2. Overheat Protection: Displays "Hot". If the desk runs continuously for a long time, this protection may activate. Wait 18 minutes before using again.

5.3. Motor Error Protection: Displays "E10". Disconnect the power, check the connection between the motor and the controller, and then reconnect the power.

5.4. Overload Protection: Displays "E20". If this alarm appears while raising the desk, remove some items from the desk and try again. If it appears while lowering the desk, disconnect the power, remove some items, and then reconnect the power.

5.5. Under-Voltage Protection: Displays "E31". Disconnect the power, check the connection between the power supply and the controller, and then reconnect the power.

5.6. Over-Voltage Protection: Displays "E32". Disconnect the power, check the connection between the power supply and the controller, and then reconnect the power.

## ► Troubleshooting

---

This list is provided to help you check and resolve common malfunctions and errors. If the issue you encounter is not listed below, please contact your dealer or manufacturer.

Problem Description	Solution
No response when pressing the up or down buttons.	<ol style="list-style-type: none"><li>1. Check if the wire connections are proper.</li><li>2. Attempt a reset operation.</li><li>3. Contact your dealer or manufacturer.</li></ol>
<ol style="list-style-type: none"><li>1. Slow rising speed.</li><li>2. The desk can only lower but not rise.</li><li>3. The desk lowers slowly on its own.</li></ol>	<ol style="list-style-type: none"><li>1. Check if the desk is overloaded.</li><li>2. Attempt a reset operation.</li><li>3. Contact your dealer or manufacturer.</li></ol>
The system frequently enters reset mode automatically.	<ol style="list-style-type: none"><li>1. Check for possible overload.</li><li>2. Please contact your dealer or manufacturer.</li></ol>
System overheating, unable to operate.	Allow the system to cool down before resuming use.
Displayed height does not match the actual height.	<ol style="list-style-type: none"><li>1. Attempt a reset operation.</li><li>2. Contact your dealer or manufacturer.</li></ol>