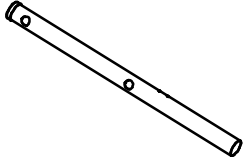


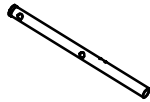
ASSEMBLY INSTRUCTION

METAL TWIN BED

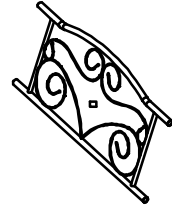
PART LIST:



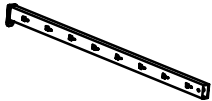
**A:LSF/RSF Headboard
Post 2PCS**



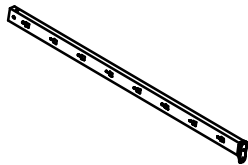
**B:LSF/RSF Footboard
Post 2PCS**



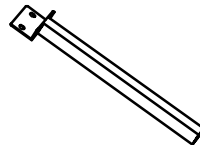
**E:Headboard/Footboard
2PCS**



**F:Rail section(1)
2PCS**



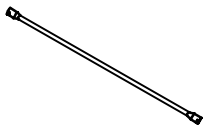
**G:Rail section(2)
2PCS**



**H:Rail Support Leg
2PCS**



**J:Center support Bar
1PC**



**N:Slat
16PCS**



**O:Slat Connector
32PCS**



**P:Finial
4PCS**

HARDWARE LIST:

Q*12PCS



1/4*13MM

R*4PCS



1/4*32MM

S*8PCS



1/4

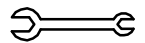
T*8PCS



1/4*55MM



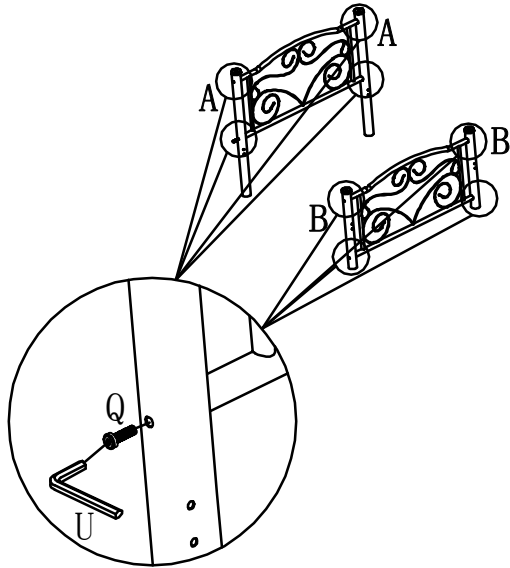
U*1PC



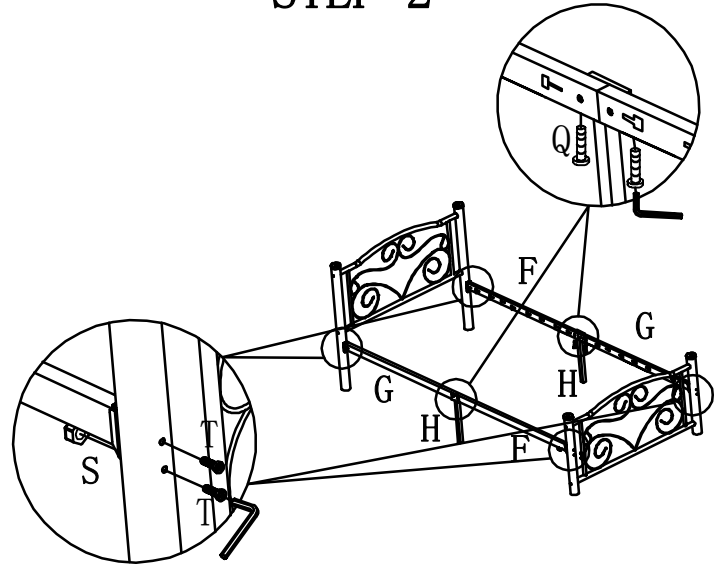
V*1PC

Note: Pls do not tighten all bolts until the bed is assembled completely

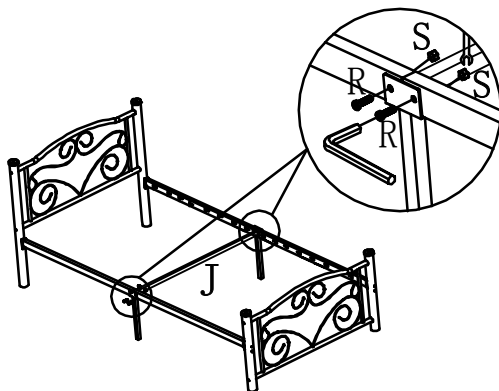
STEP 1



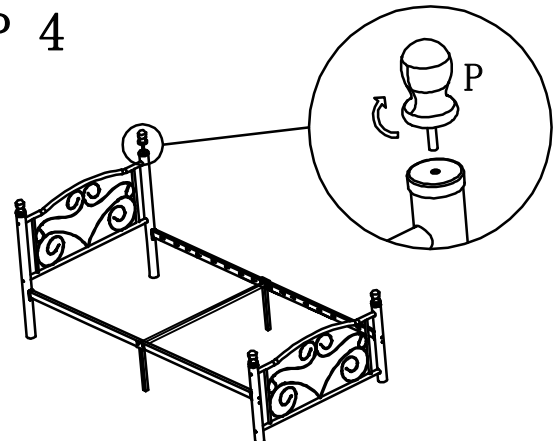
STEP 2



STEP 3



STEP 4



STEP 5

