

ATHENA

MCL92

Table Lamp

1-150W Max.

Bulb Type: A

Switch: Hi-Lo Dimming

Matte Celadon Glazed Ceramic

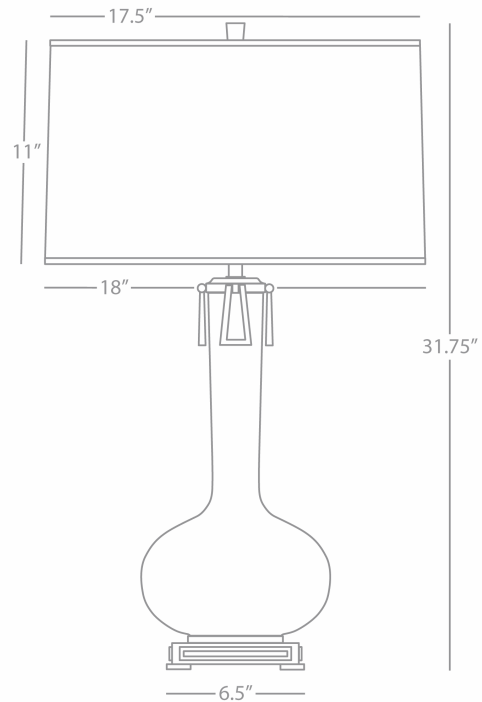
Cast Metal Base and Ring Details

Aged Brass Finish

Open Weave Heather Linen Shade

COLOR OPTIONS:

See Athena Table for Color Options



* *Made In The USA*