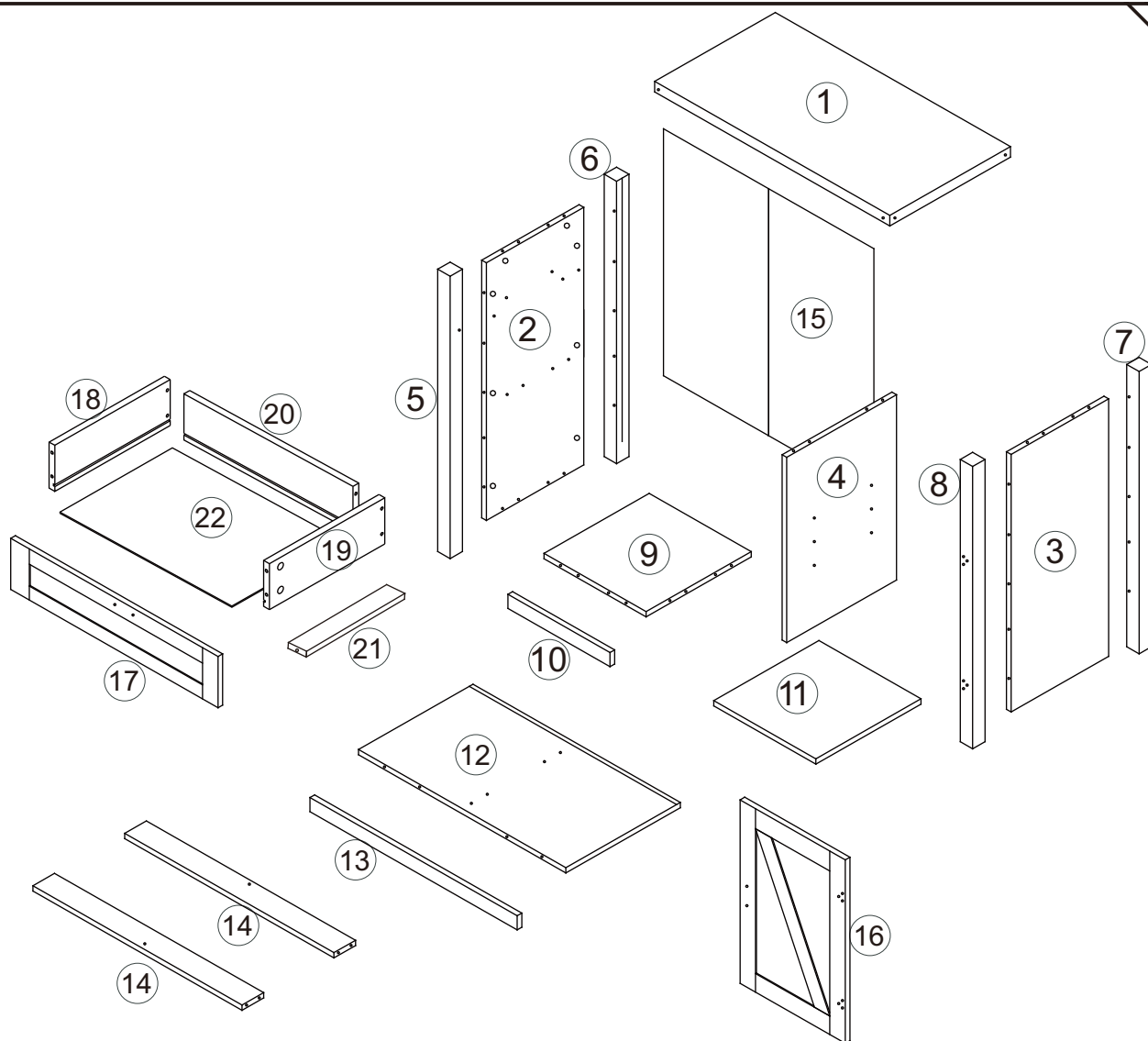


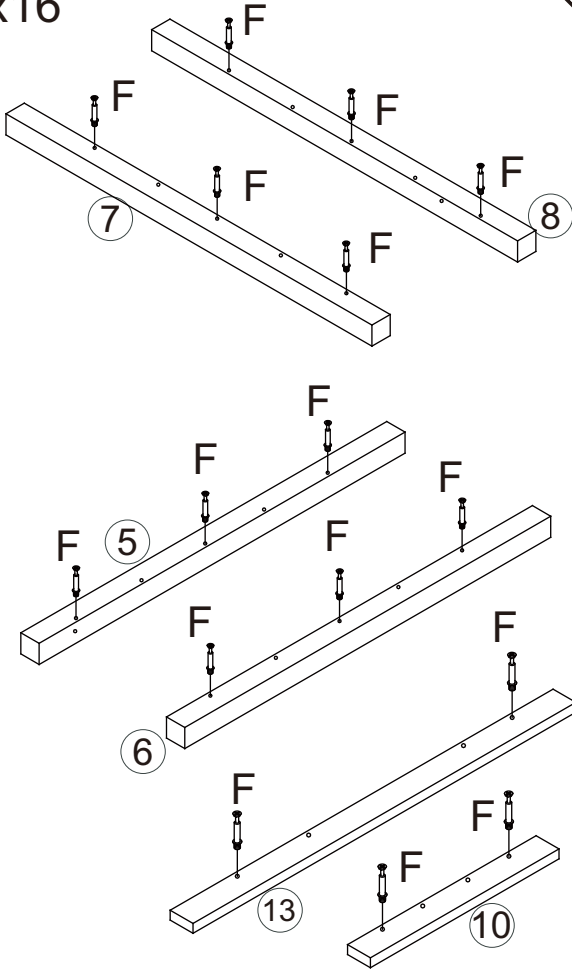
READ AND SAVE THIS INSTRUCTION FOR FUTURE USE

ASSEMBLY INSTRUCTION



A 2pcs	B 4pcs	C 9pcs	D 32pcs	E 37pcs
F 37pcs	G 4pcs	H 11pcs	I 2pcs	J 16pcs
K 8pcs	L 4pcs	M 1pc	N 2pcs	O 1pc
P 1pc	Q 1pc	R 1pc	S 1pc	T 4pcs
U 2pcs	V 2pcs	W 4pcs		

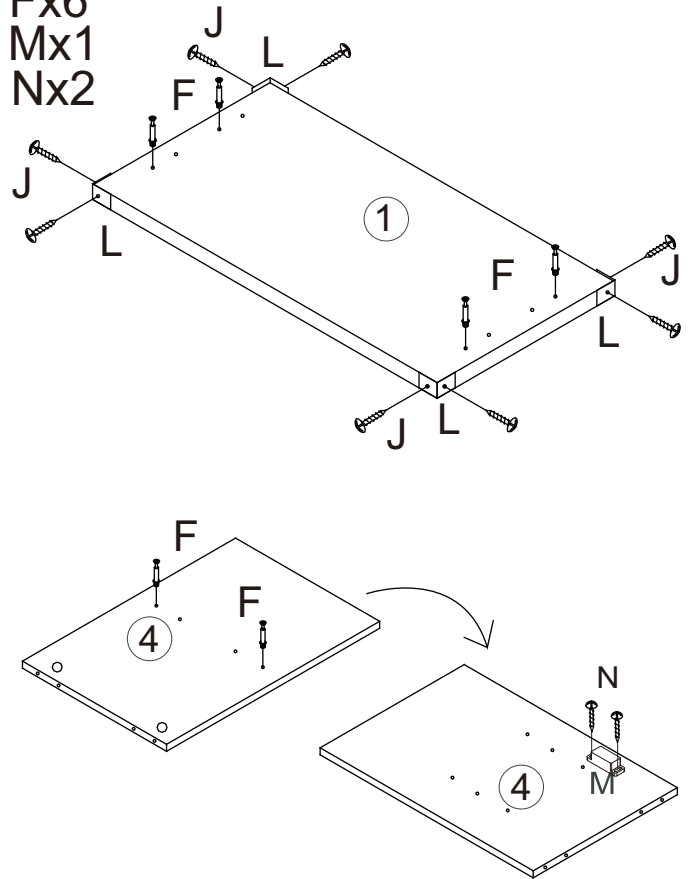
Fx16



01

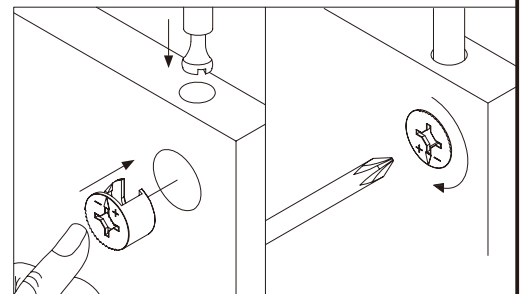
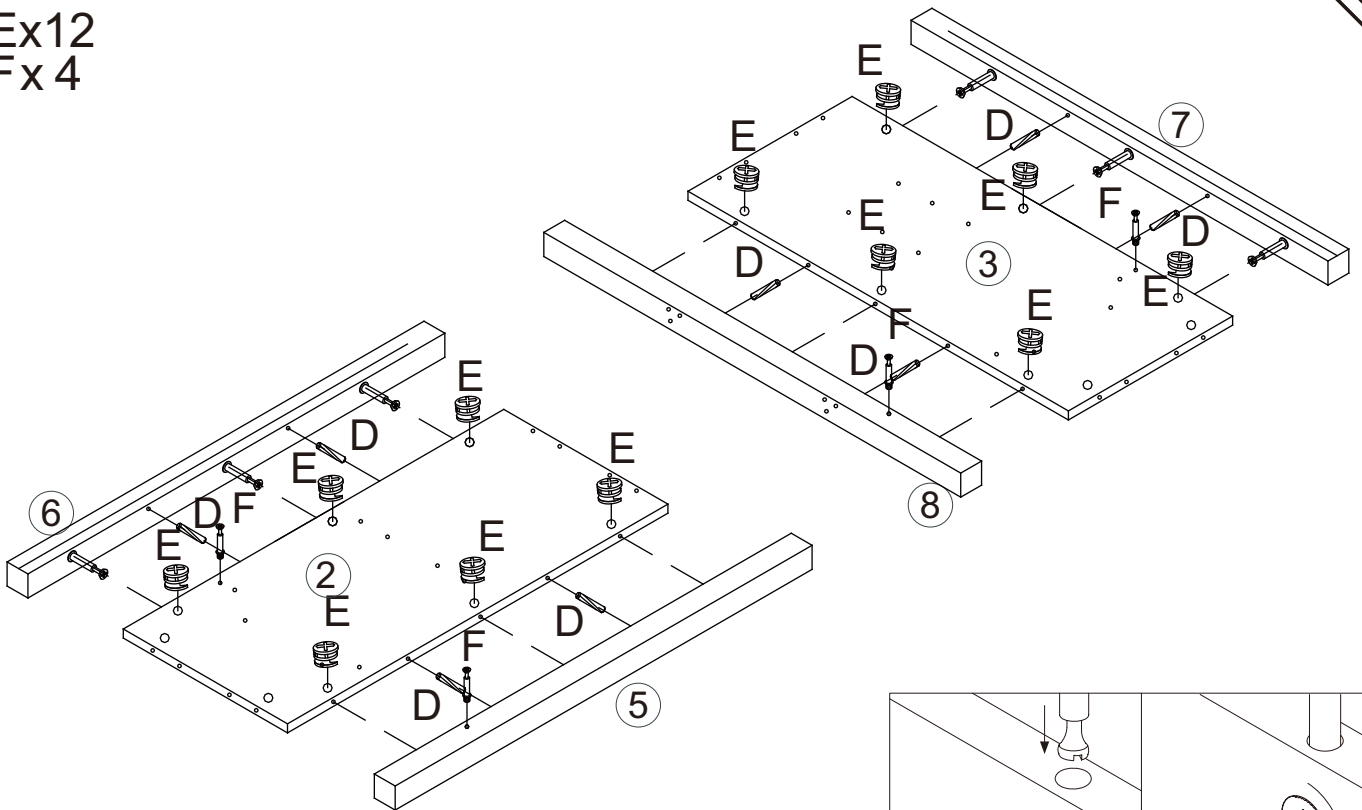
Lx4
Jx8
Fx6
Mx1
Nx2

02

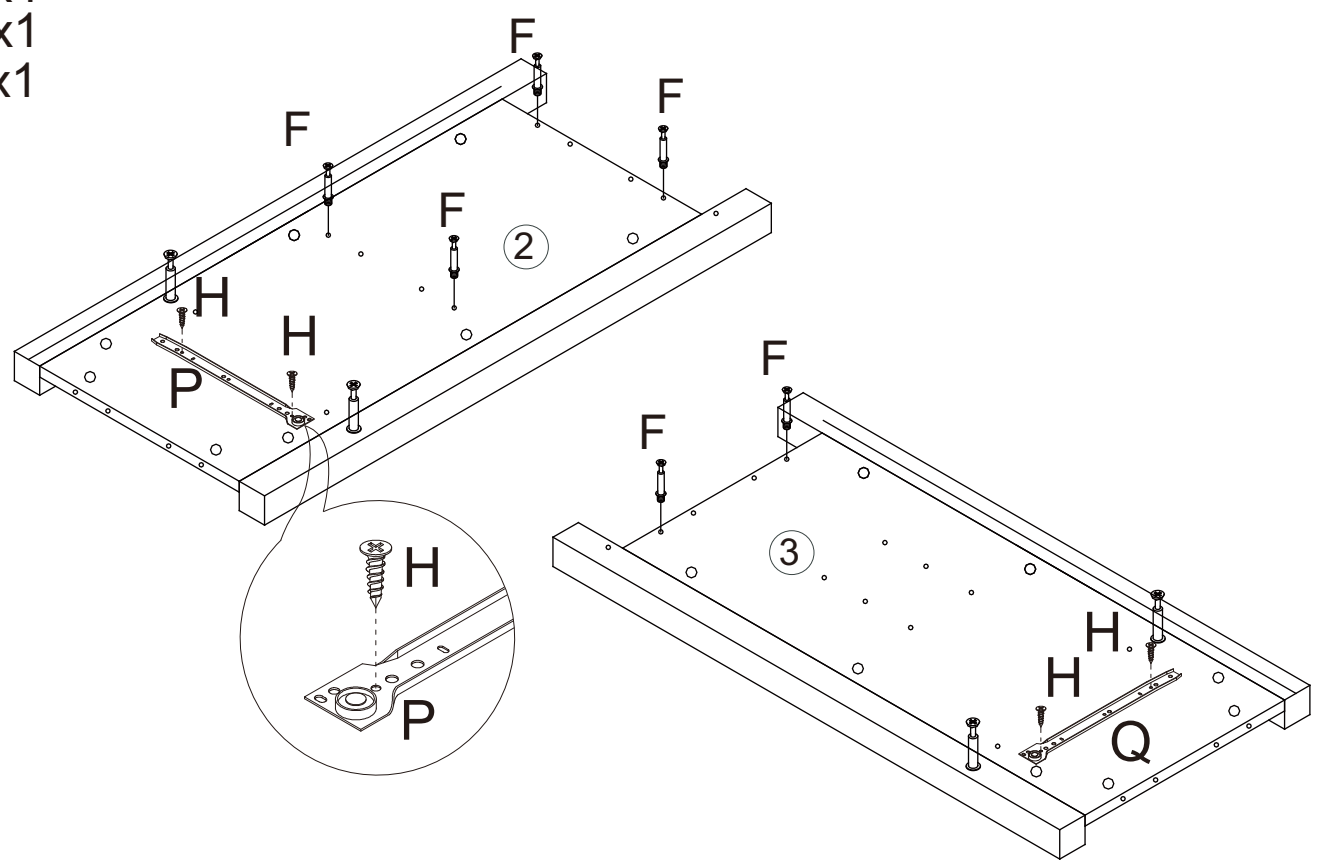


D x8
Ex12
Fx4

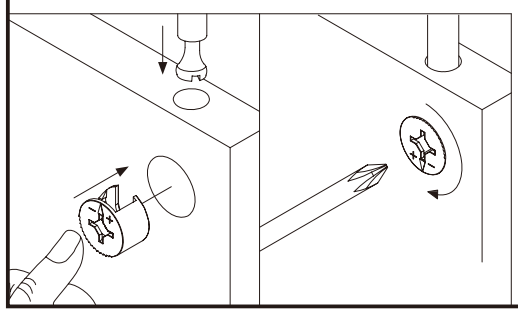
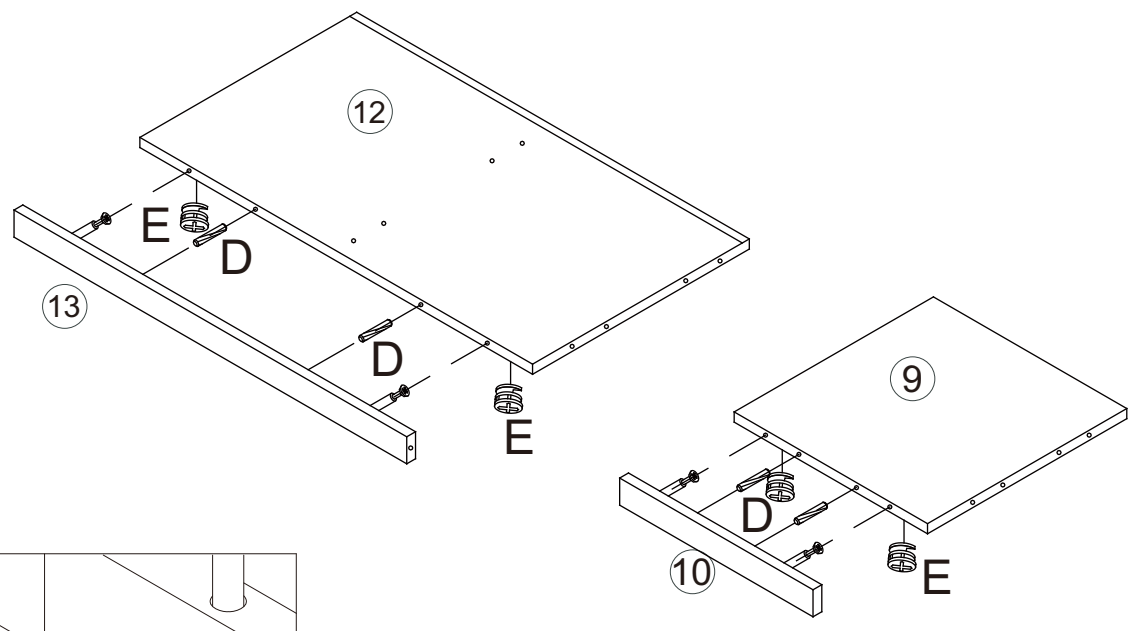
03



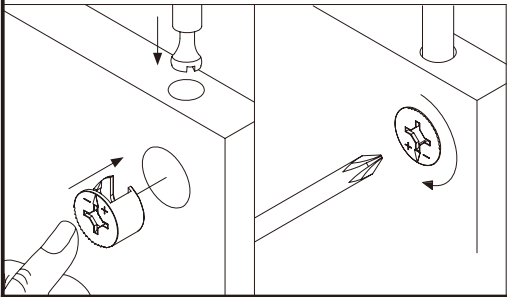
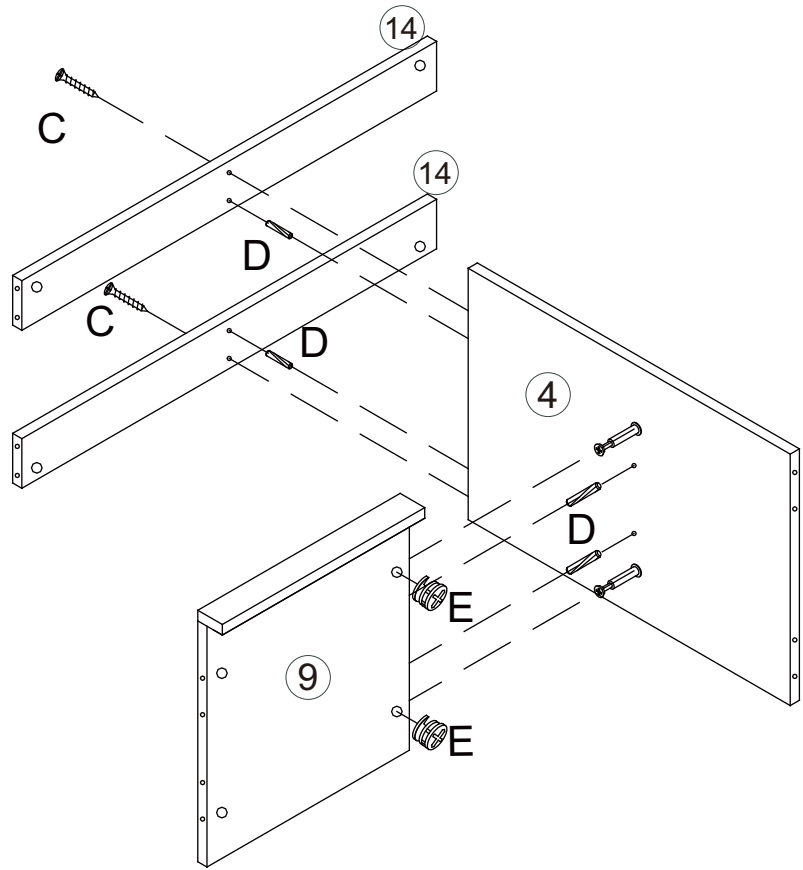
Fx6
Hx4
Px1
Qx1



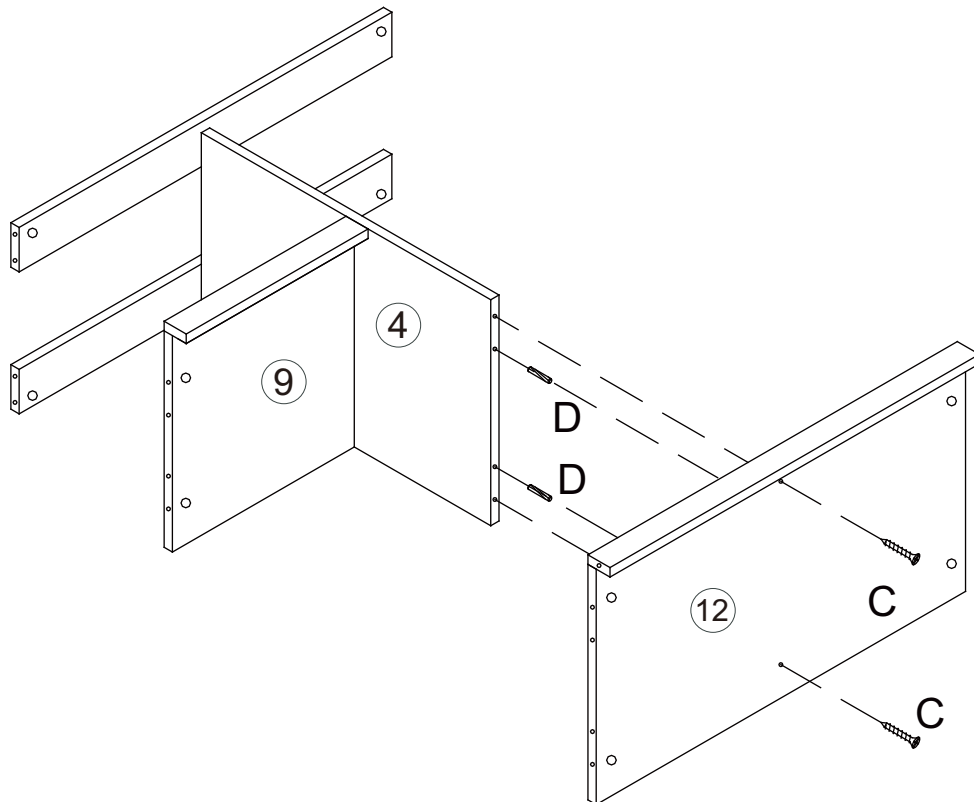
Dx4
Ex4



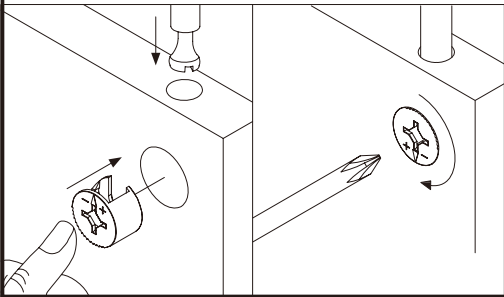
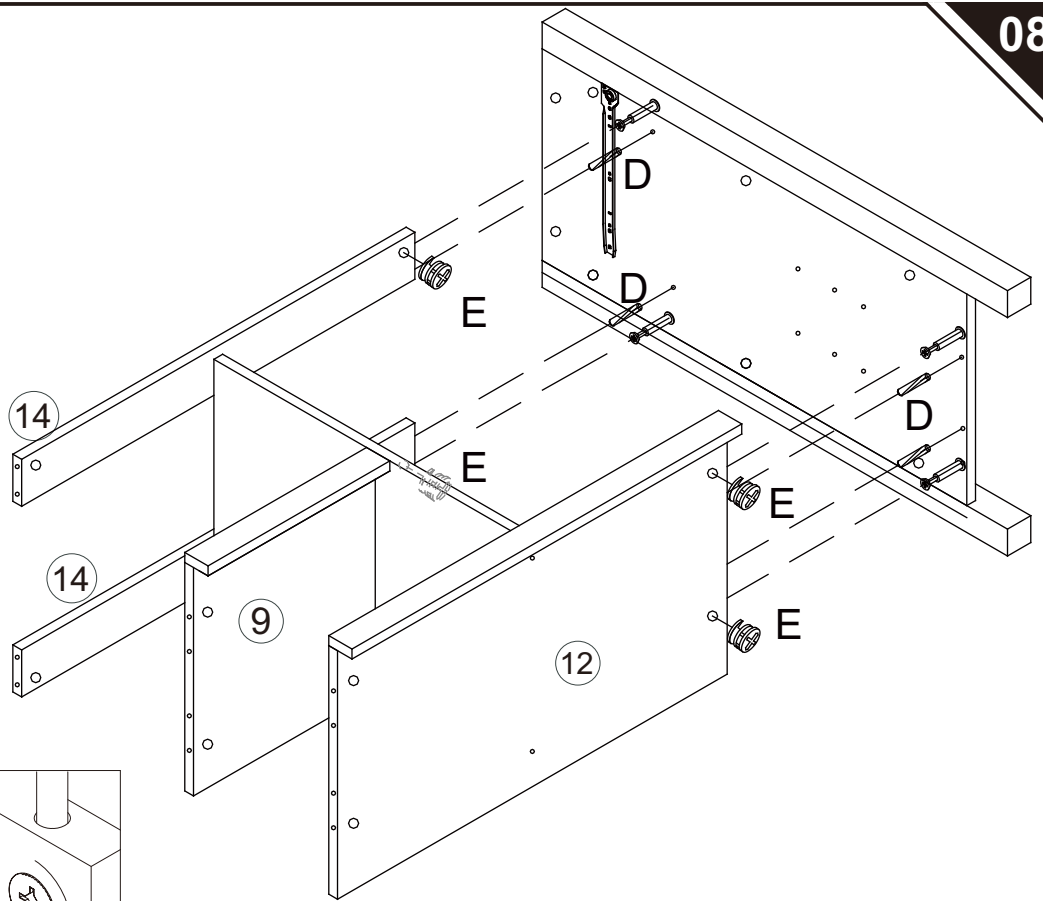
Cx2
Dx4
Ex2



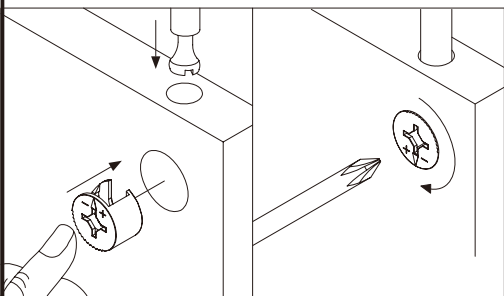
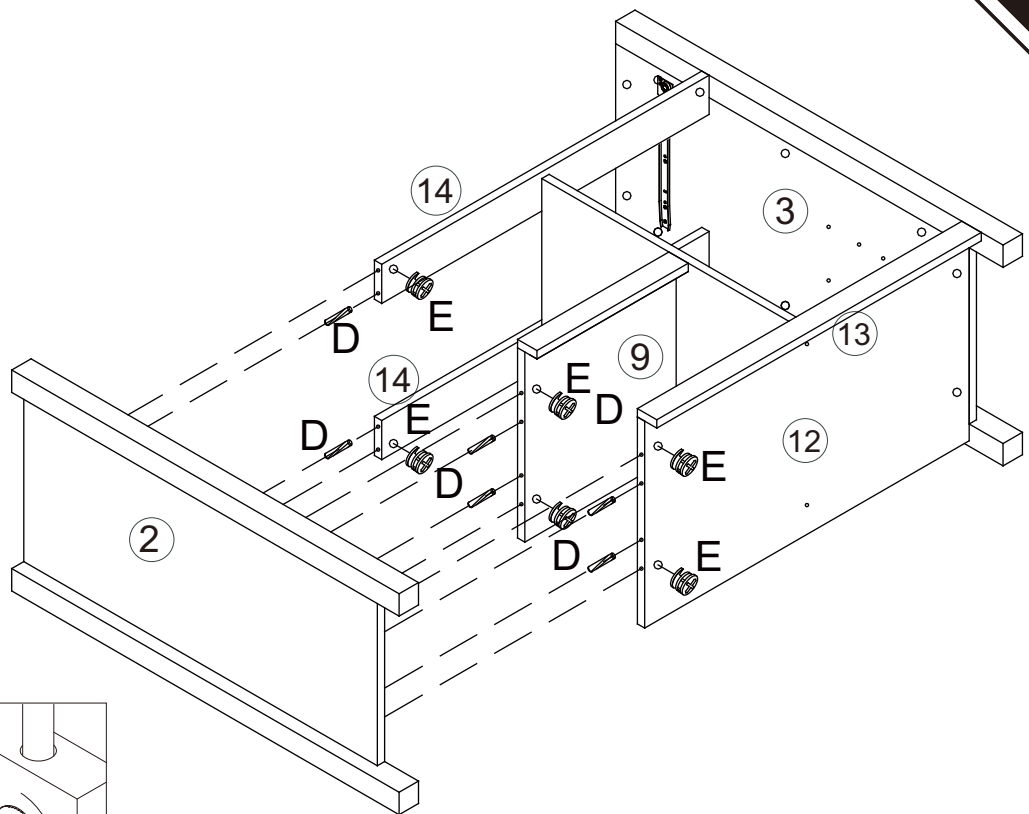
Dx2
Cx2

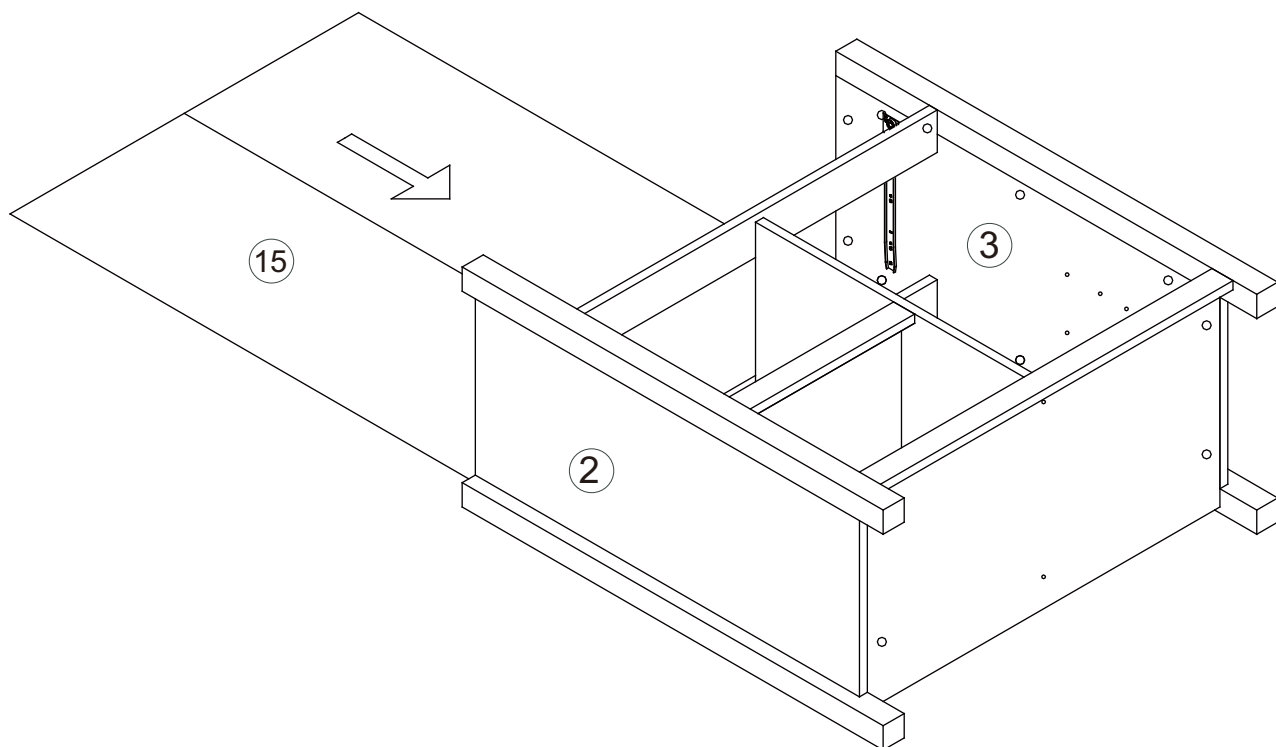


D x4
E x4

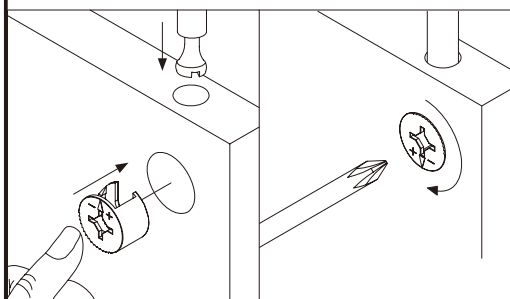
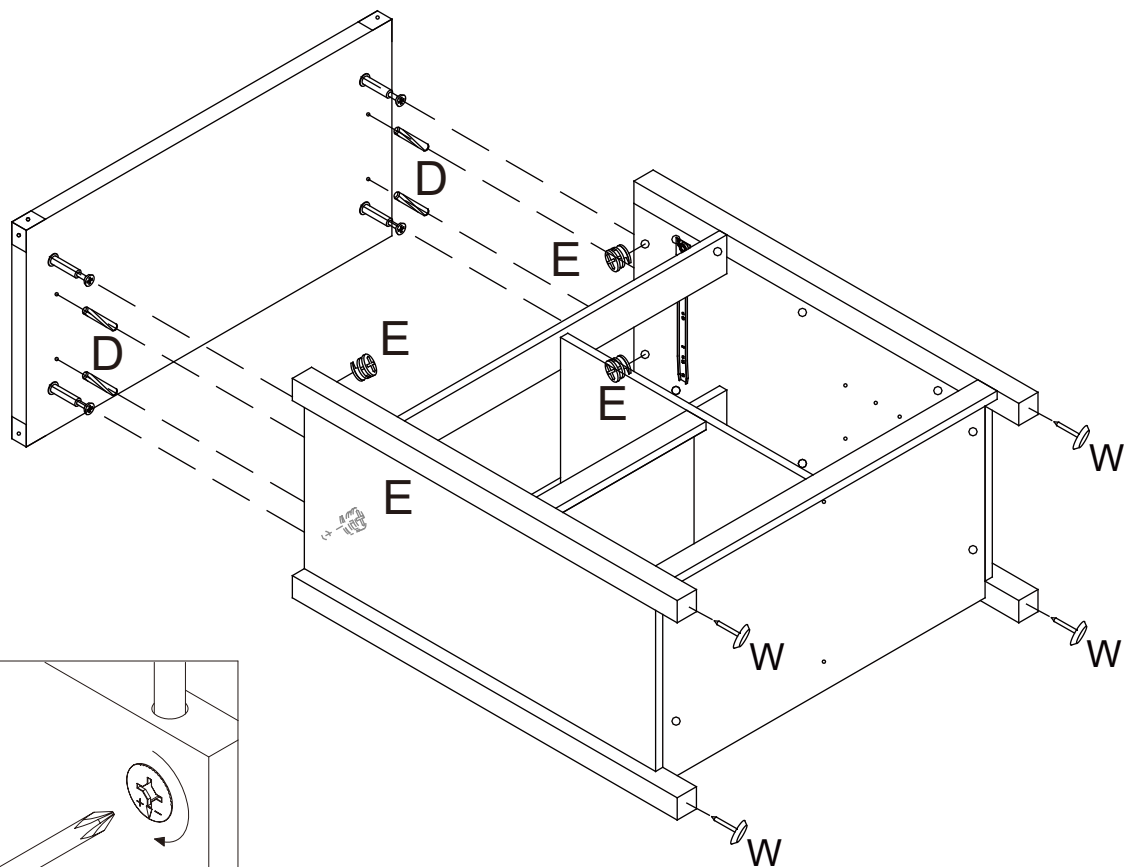


D x6
E x6

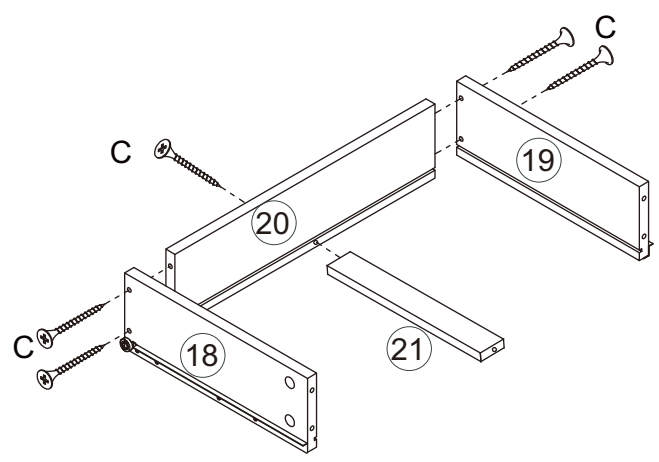
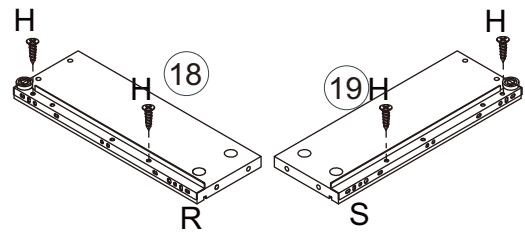




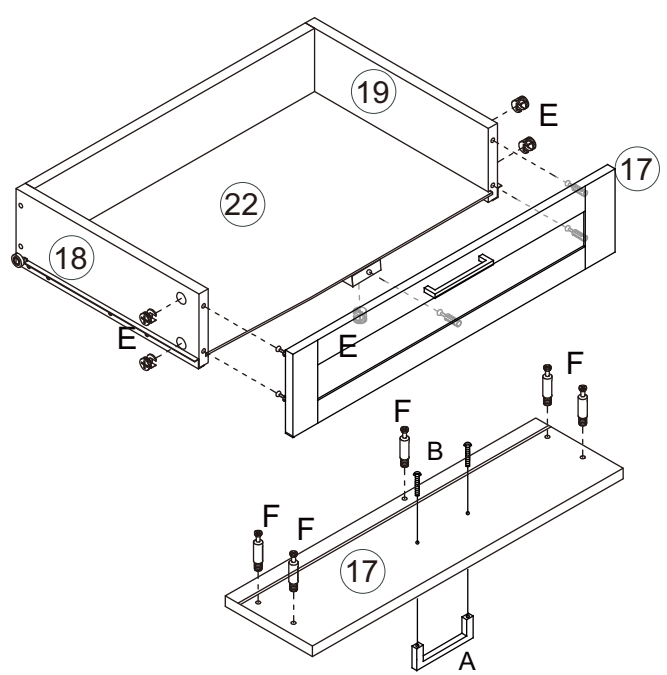
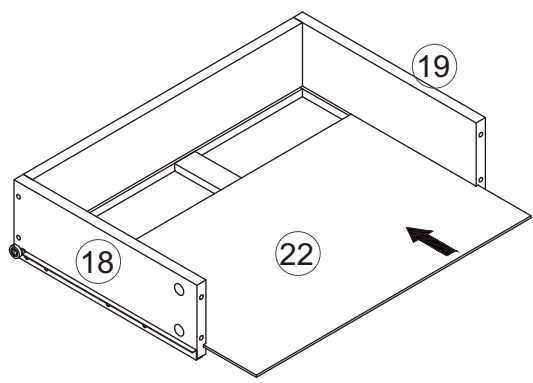
D x4
E x4
W x4



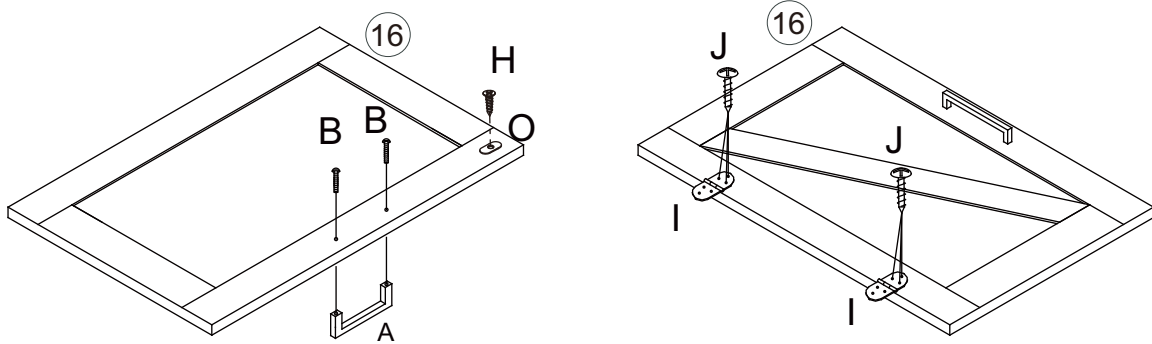
Cx5
Hx4
Rx1
Sx1



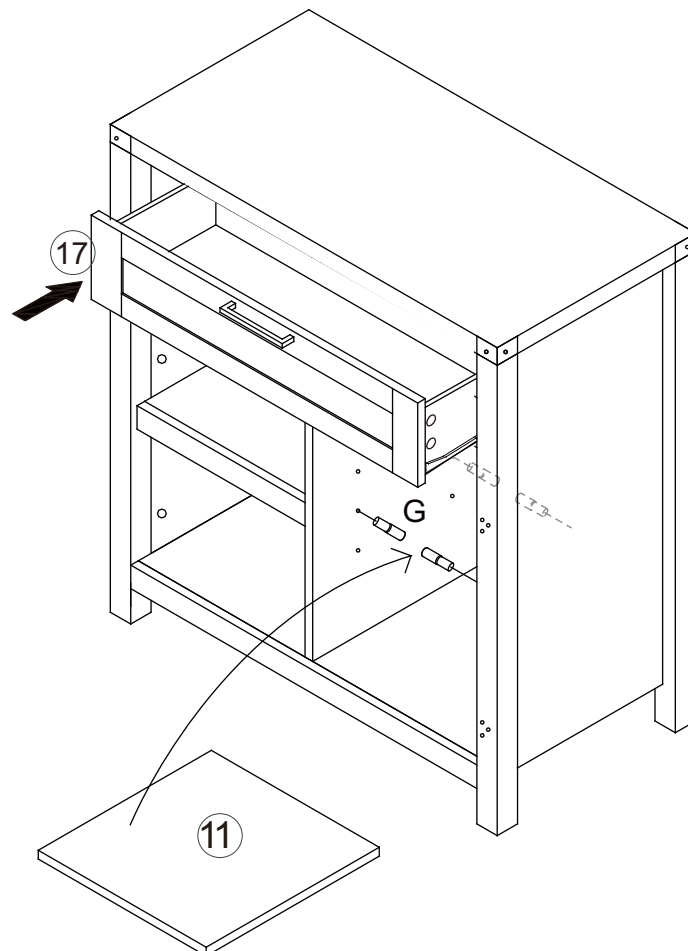
Ex5
Fx5
Ax1
Bx2



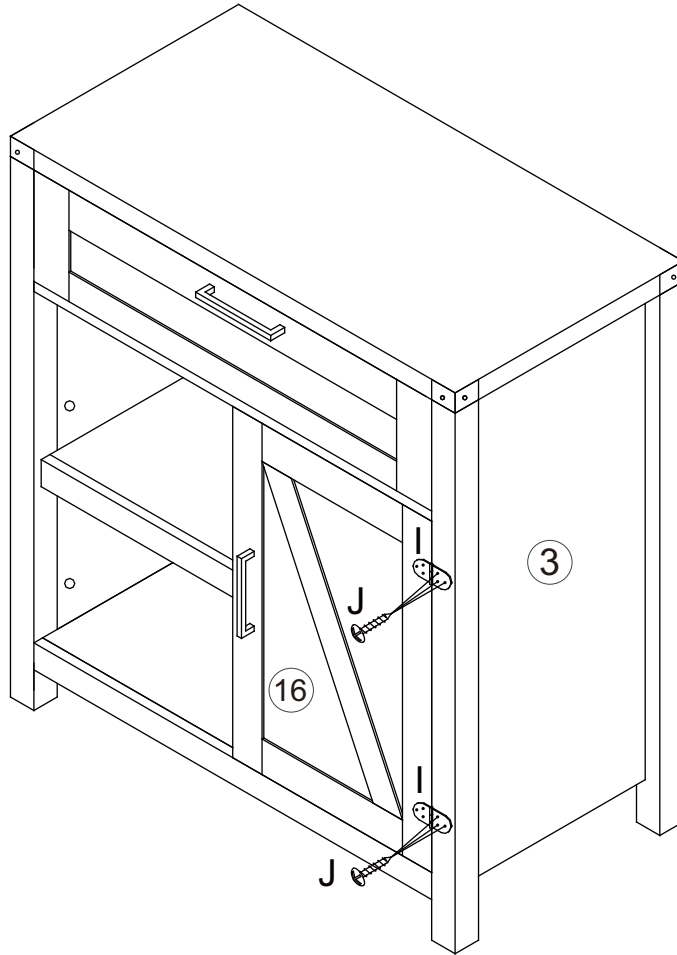
H x1 I x2
O x1 J x6
B x2
A x1



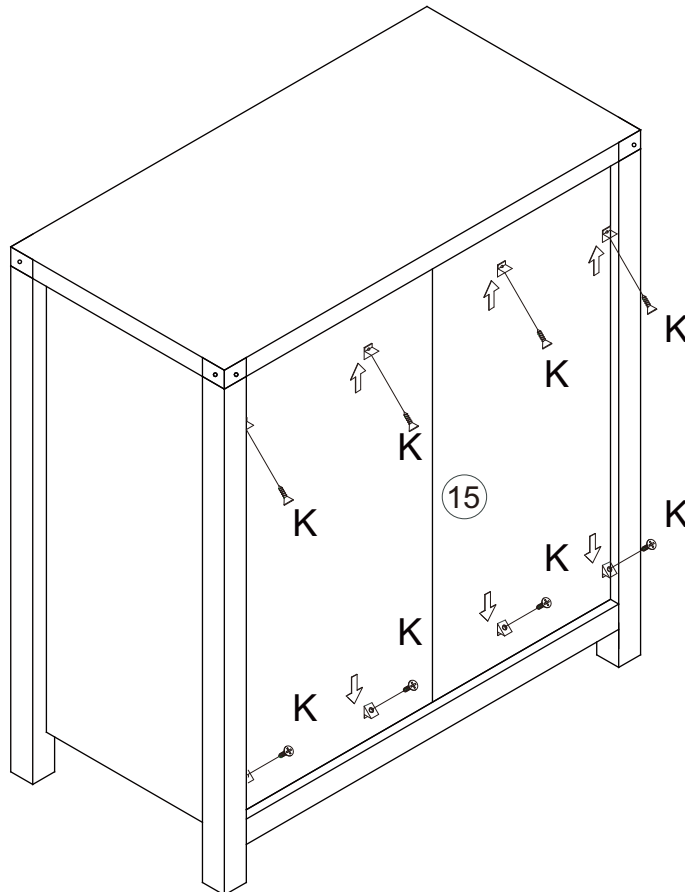
G x4



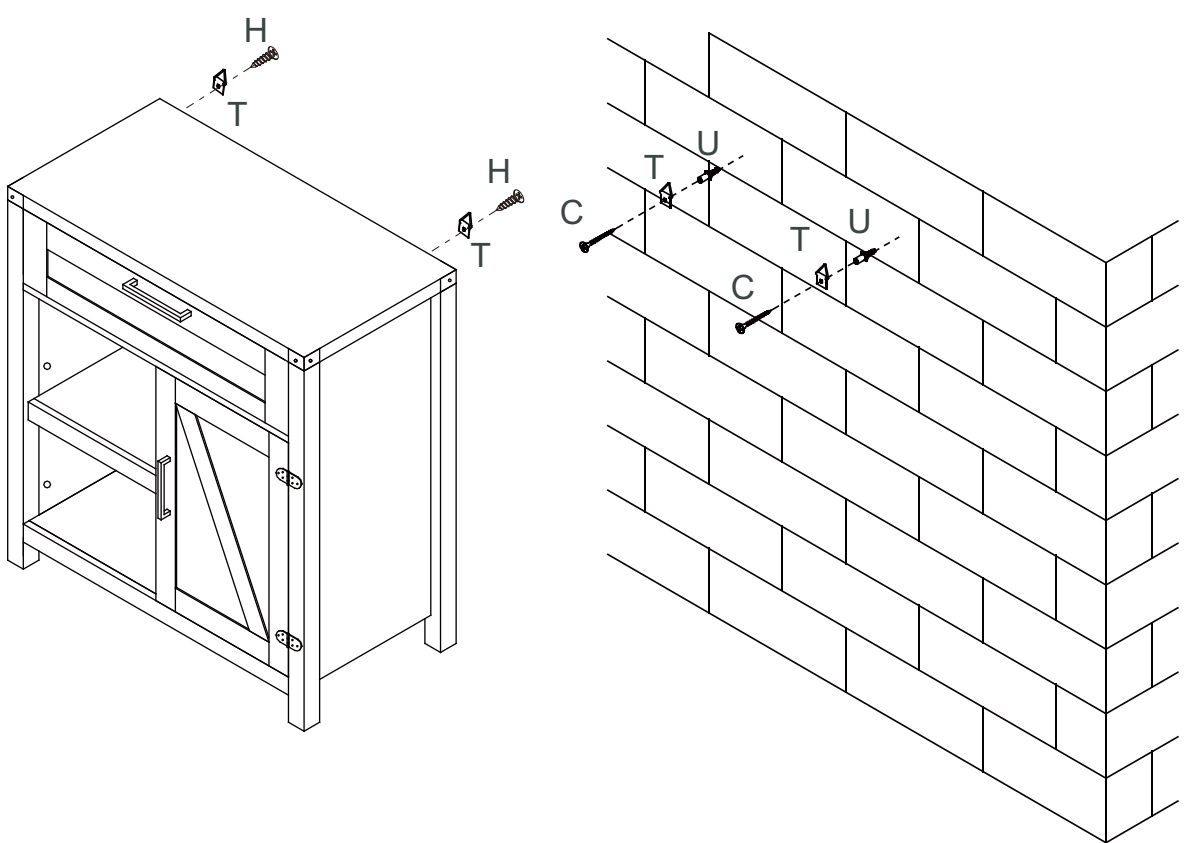
J x6



K x8



H x2
C x2
T x4
U x2



V x2

