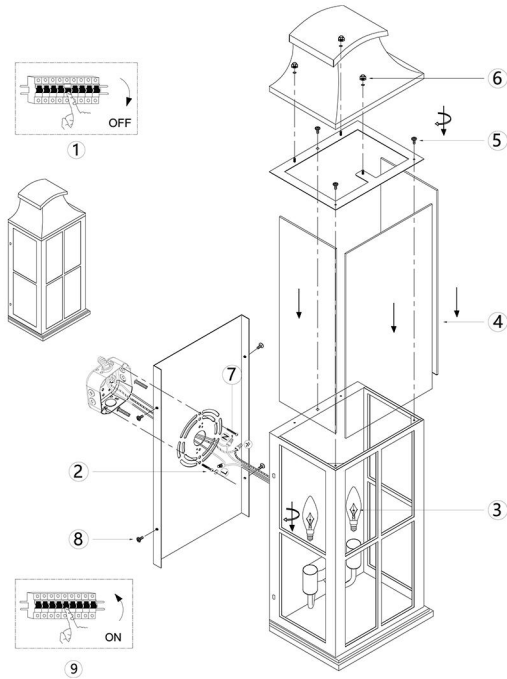


# User Manual

## Installation Instructions



1. Turn off the main power.
2. Connect the wires: Brown (L): Live Blue (N): Neutral Green/Yellow (E): Ground
3. Attach the lamp body to the bracket and tighten the screws.
4. Insert the glass panels into the frame.
5. Install the top cover and secure with screws.
6. Screw in the bulb.

## SPECIFICATIONS

Rated Voltage	AC 110-120V
Rated Power	Max 60W
Location	Indoor & Outdoor use
Lifespan	>30000 hours

## SAFETY INSTRUCTIONS



Do not use at  
dry locations only



Do not use damaged  
power cords



Keep children  
supervised