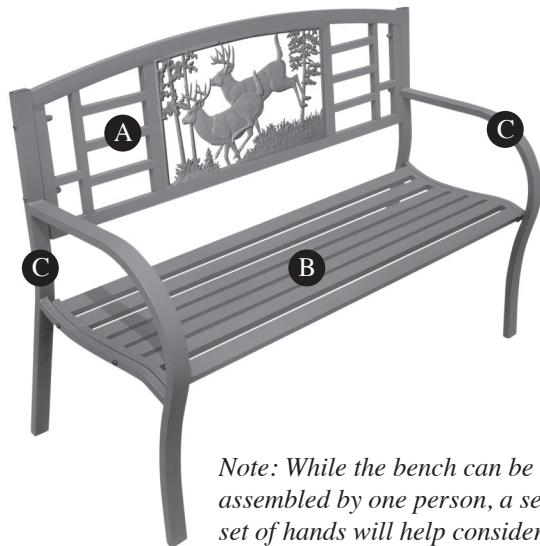


# Tube Steel Bench

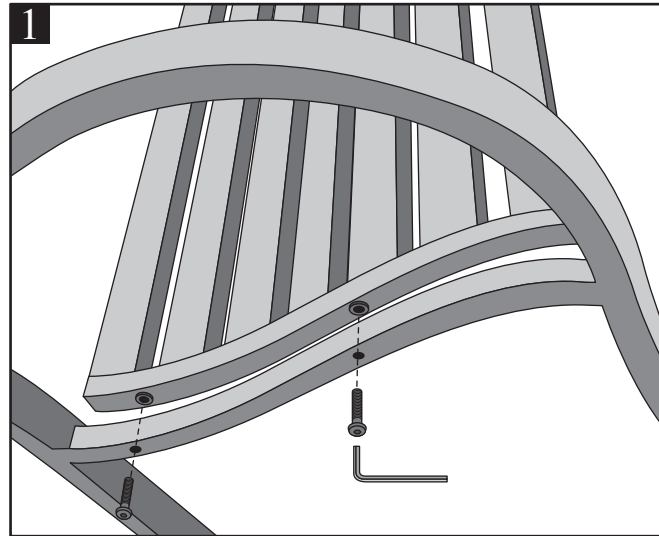
## Assembly Instructions

### Parts List

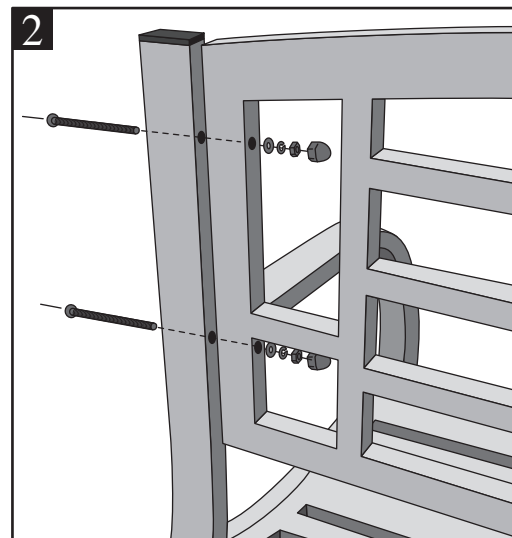
A. Bench back	1
B. Bench seat	1
C. Side frames	2
Hardware	
3 1/4" Bolts	4
1 1/4" Bolts	4
Flat washers	4
Lock washers	4
Nuts	4
Plastic caps	4



*Note: While the bench can be assembled by one person, a second set of hands will help considerably.*



**1.** Arrange the 4 main parts. Stand the seat on end and place the appropriate side frame on top, lining up the holes in the side frame with the threaded inserts in the end of the seat section. Insert the shorter (1 1/4") bolts and screw them into the inserts until they are nearly snug. Repeat on the other end.



**2.** Stand the unit on its legs and position the backrest between the upper part of the side frames. Insert the 3 1/4" bolts from the outside and add the flat washer, lock washer and nut (in that order). When everything is secured, make sure connections are straight and secure, then tighten all 8 bolts. The final step is adding the plastic nut covers over the nuts on the backrest.

*Note: Some joints in tube steel furniture can only be welded on the top and bottom, meaning that the entire tube cannot be completely sealed. Therefore, weep holes are drilled to allow any moisture inside the tubes to drain. This drainage is likely to be rusty. This surface rust on the outside should be wiped off before it affects the paint.*