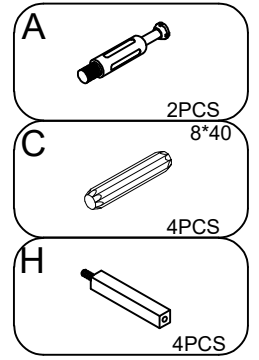
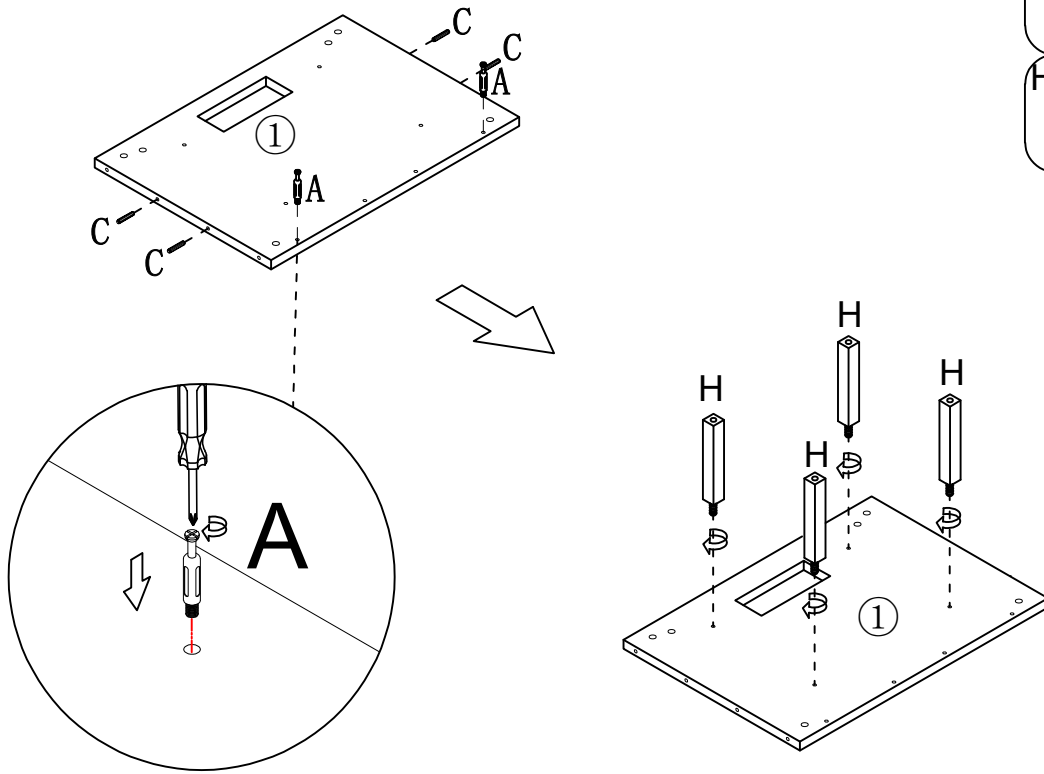
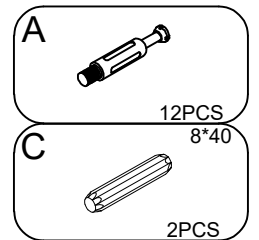
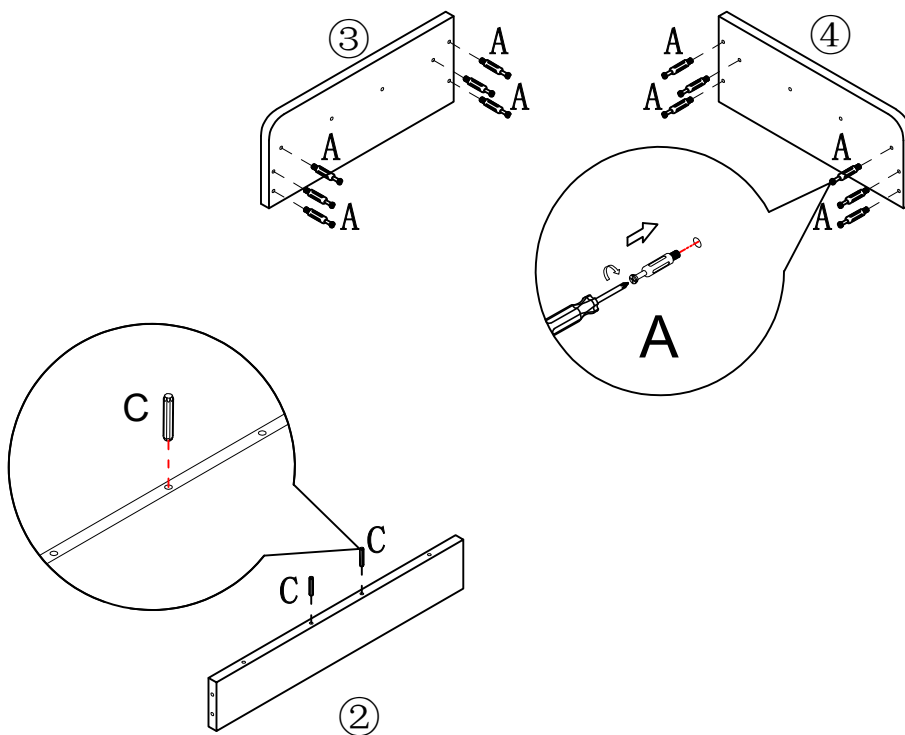


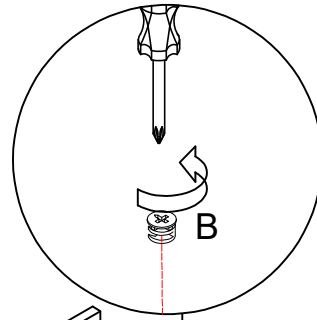
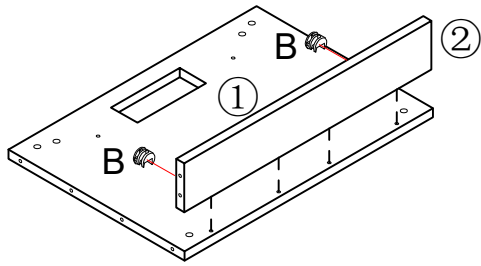
# STEP 1



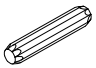


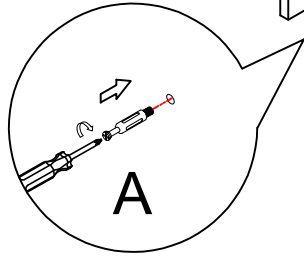
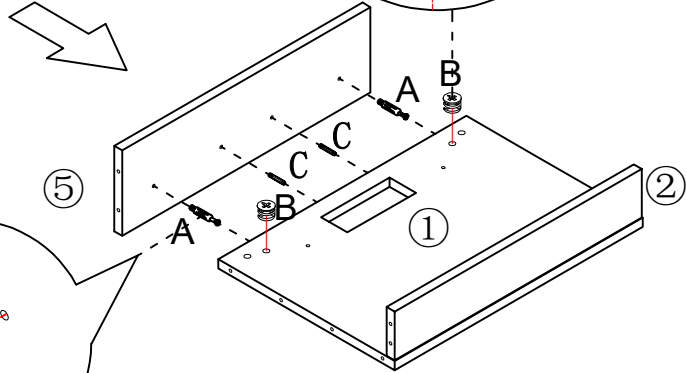
# STEP 2



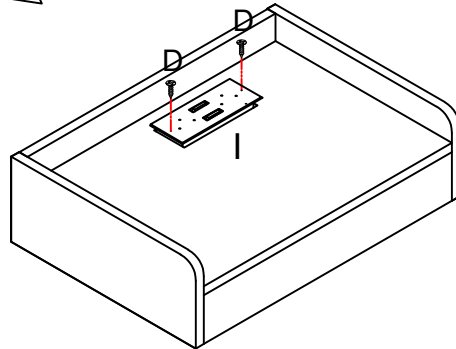
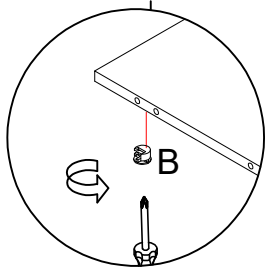
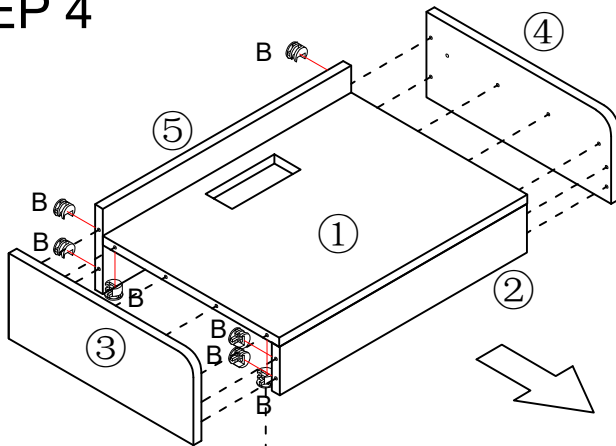
# STEP 3






- A**  2PCS
- B**  4PCS  
8\*40
- C**  4PCS




# STEP 4



- B**  12PCS  
3.5\*14
- D**  2PCS
- I**  1PCS

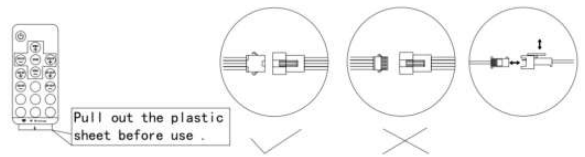
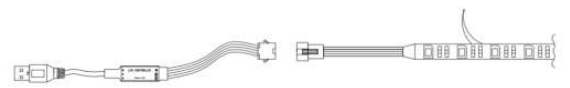
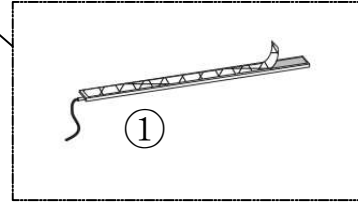
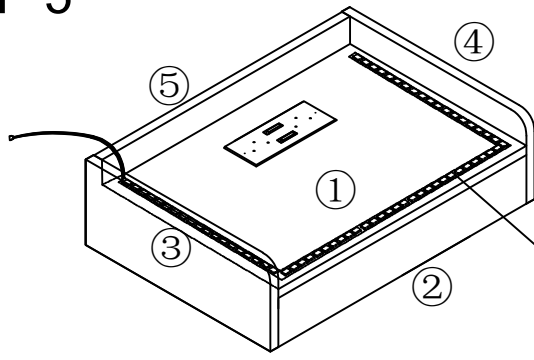
# STEP 5 Tape the light strip to the inside of board 1

**J**



USB-LED


1PCS



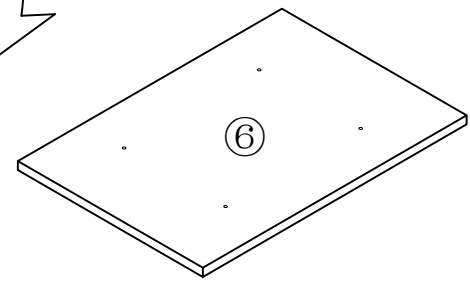
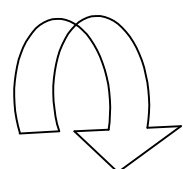
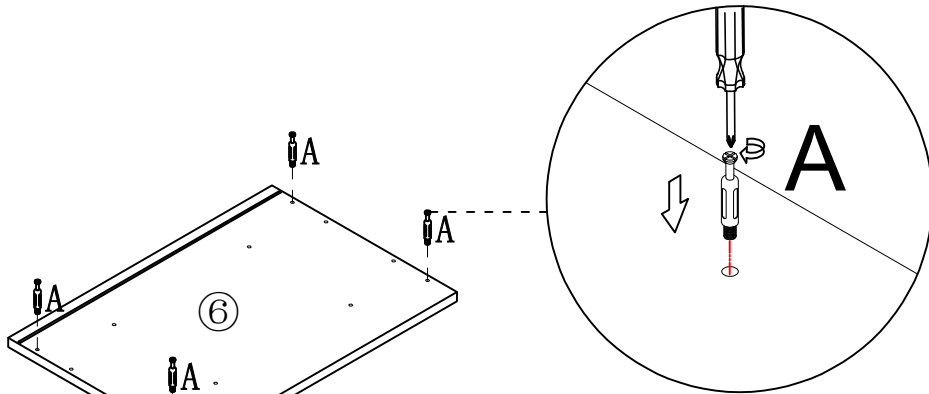
Pull out the plastic sheet before use .

# STEP 6

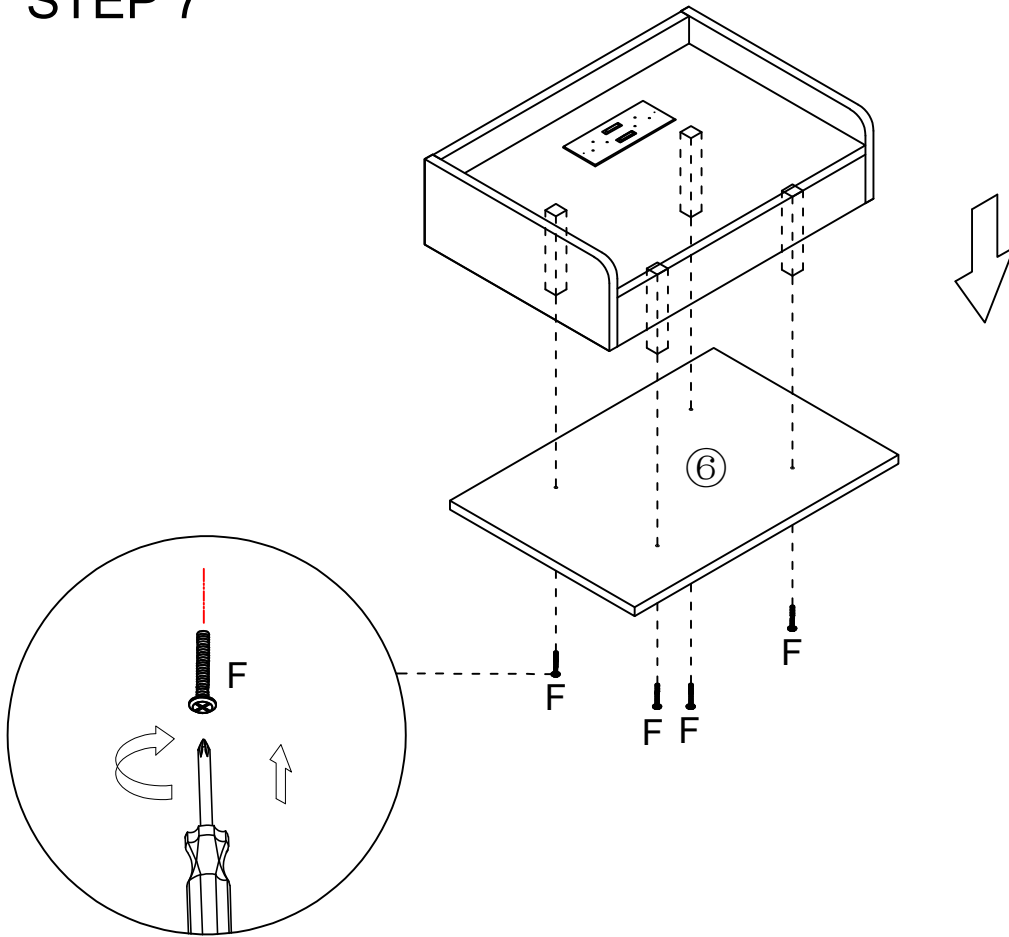
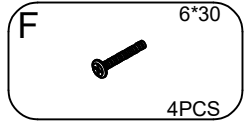
**A**



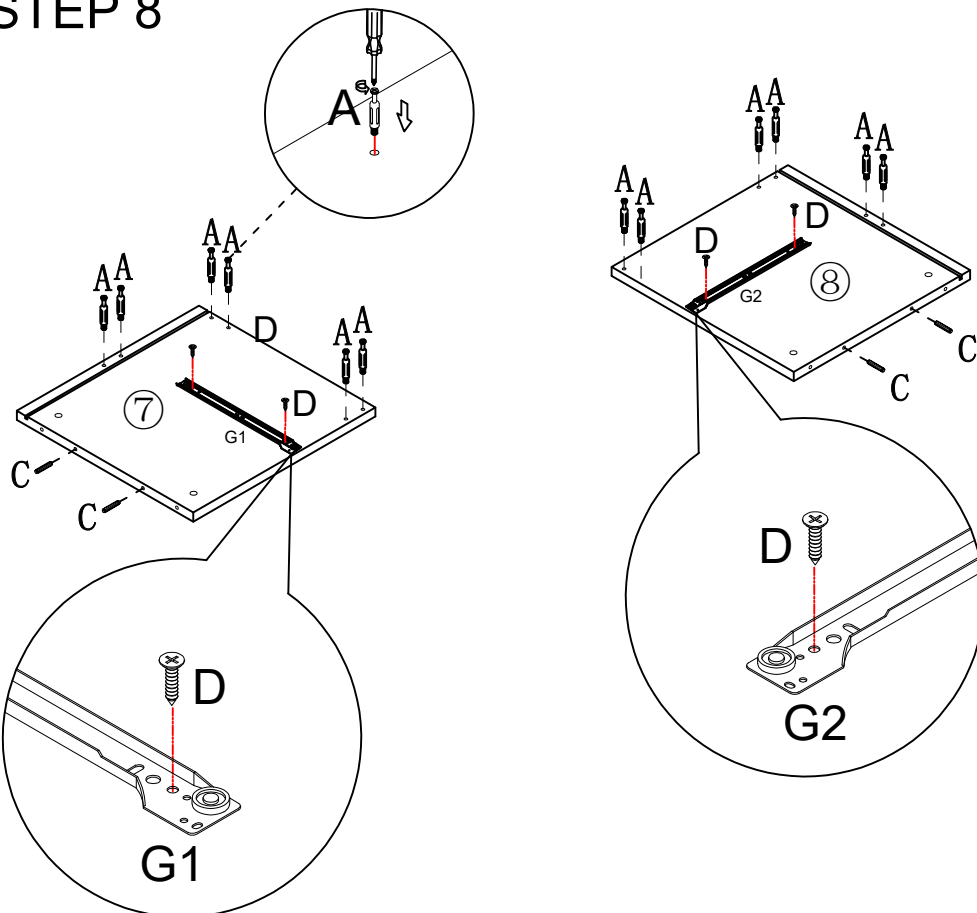
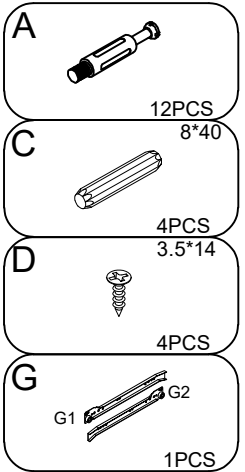
4PCS



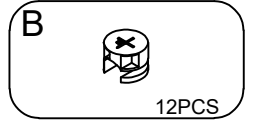
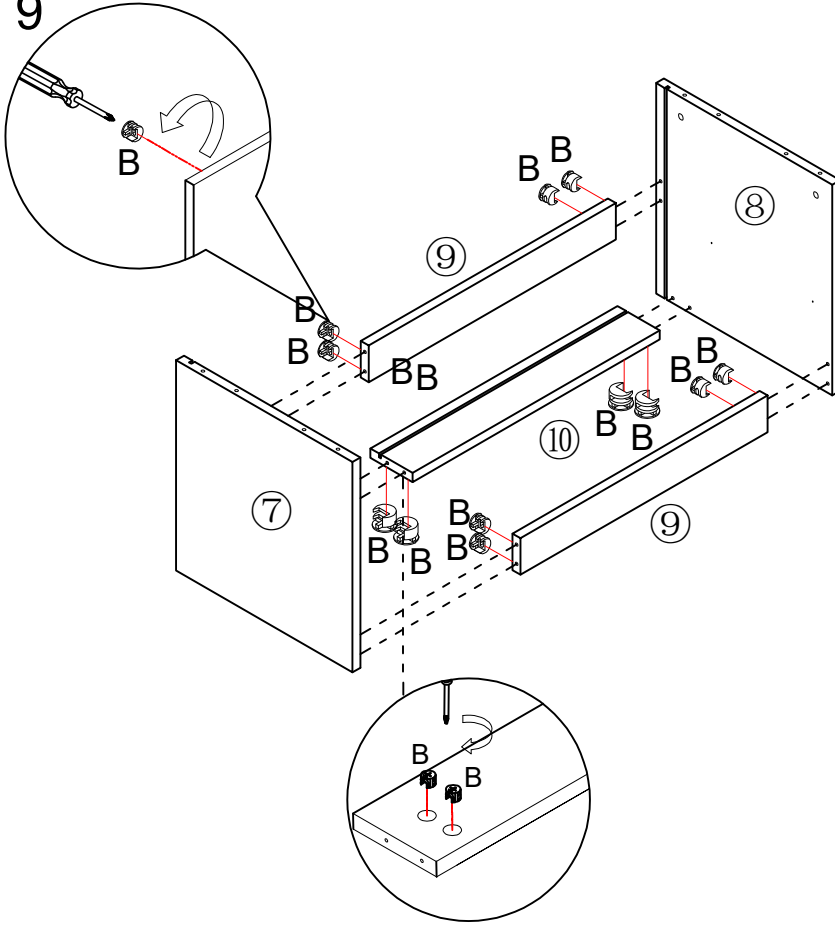
# STEP 7



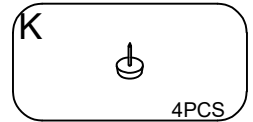
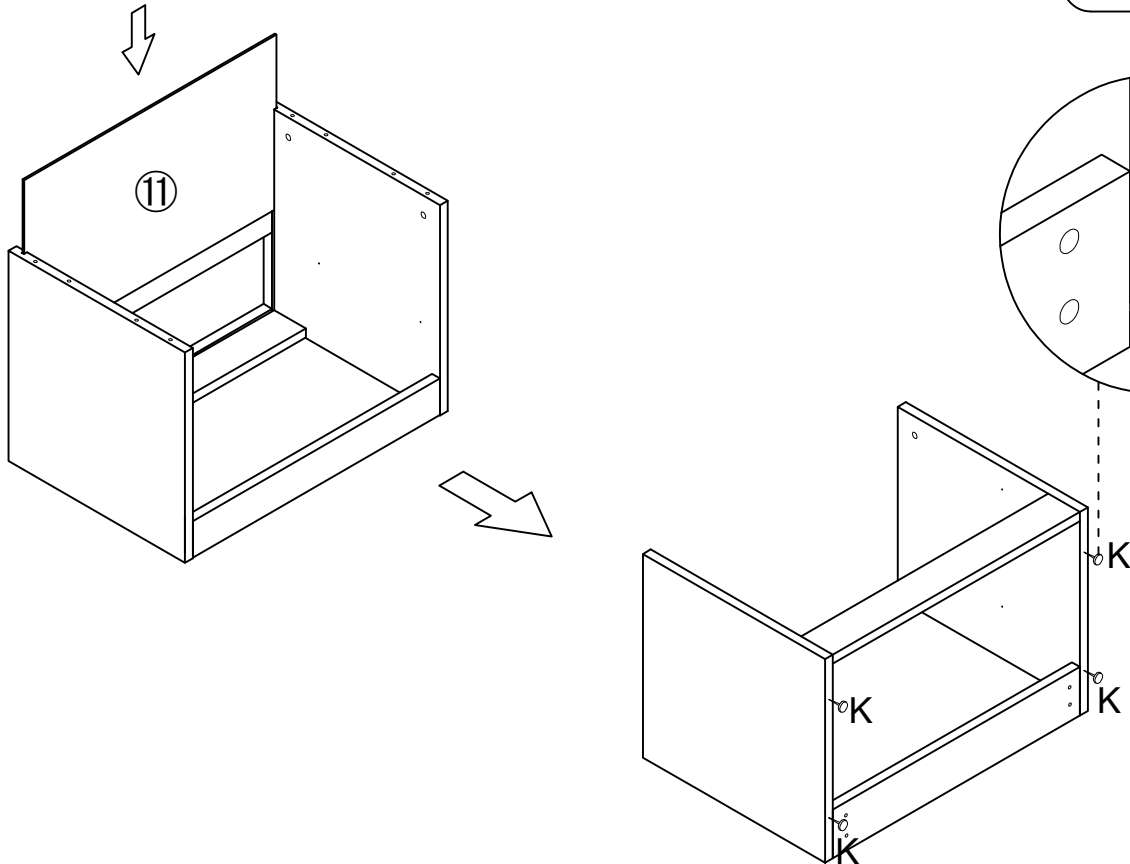
# STEP 8




# STEP 9

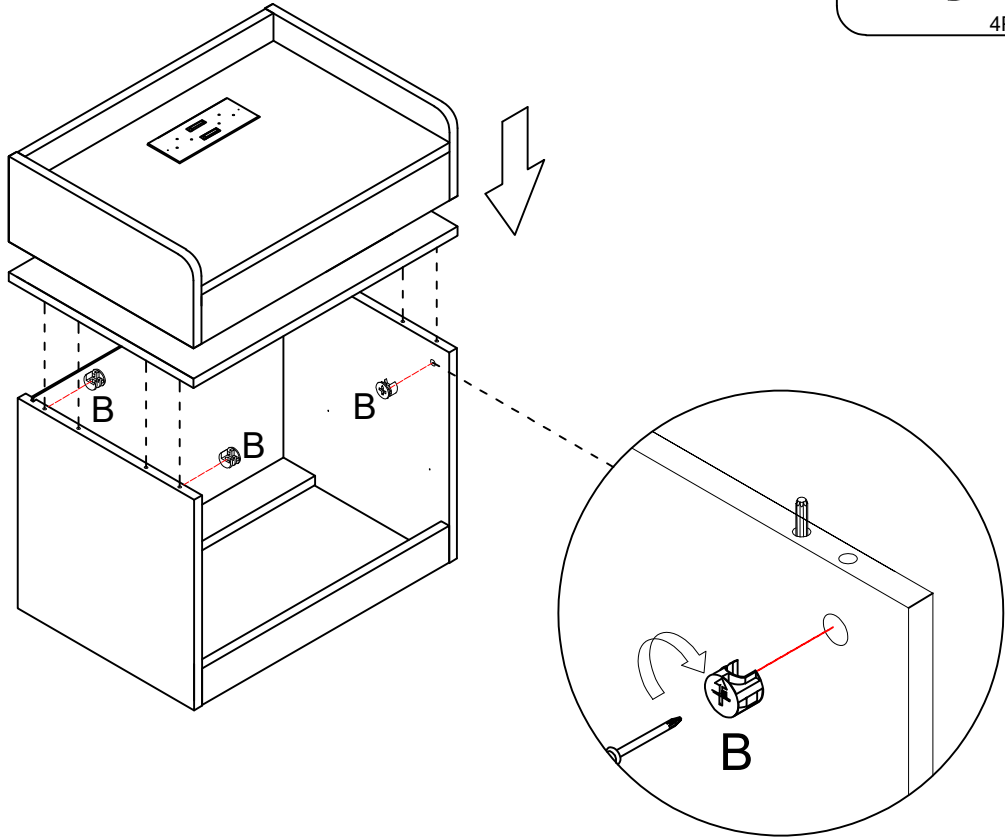


# STEP 10




# STEP 11

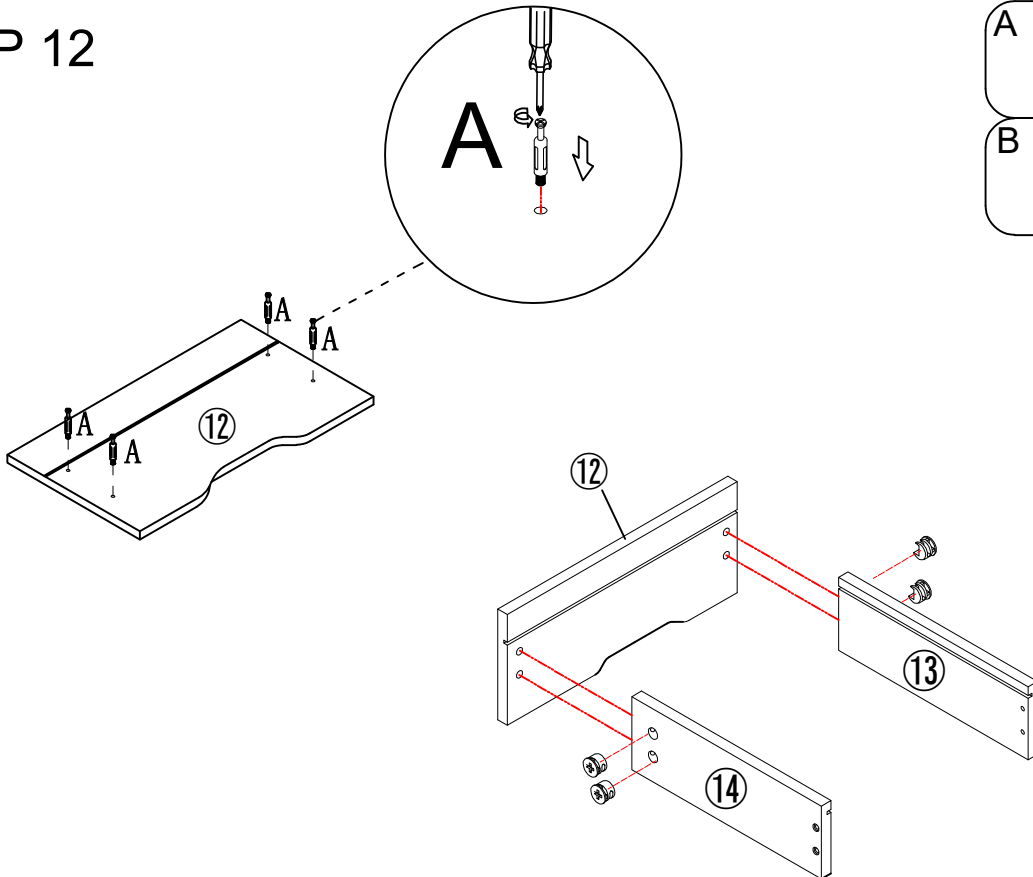
**B**  4PCS



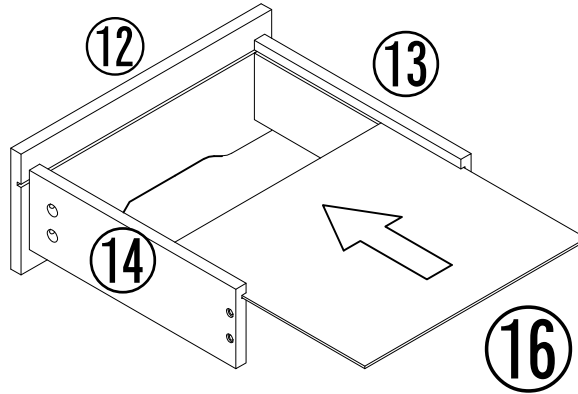
# STEP 12

**A**  4PCS

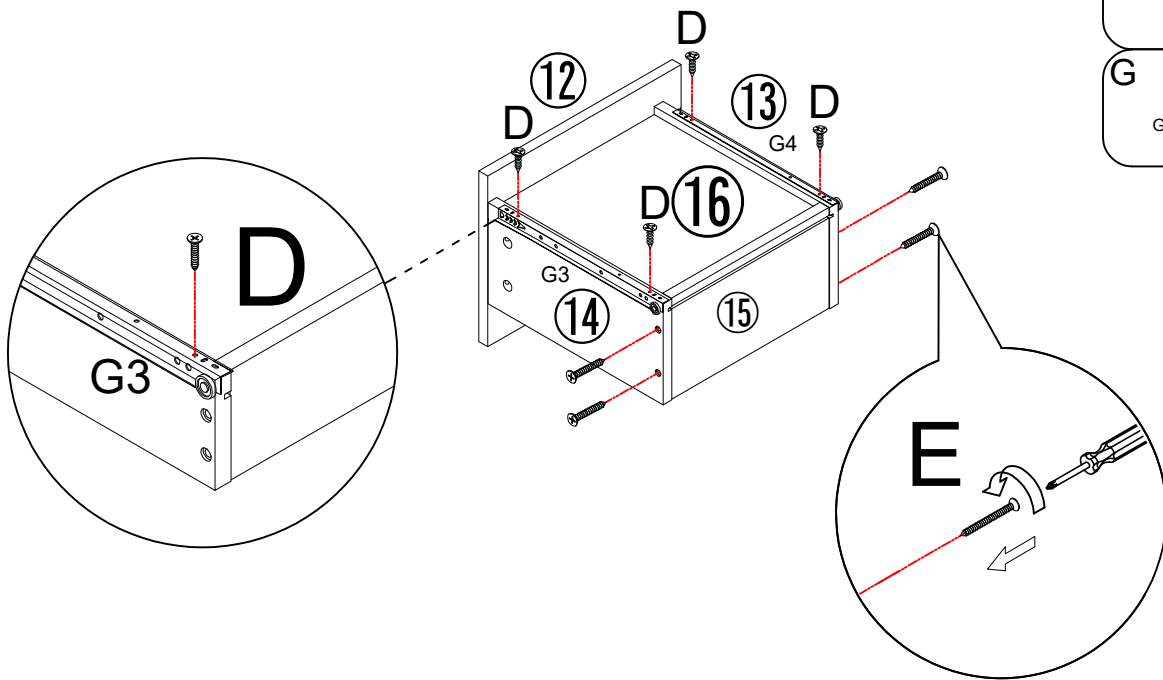
**B**  4PCS


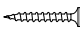
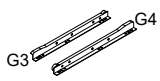


# STEP 13

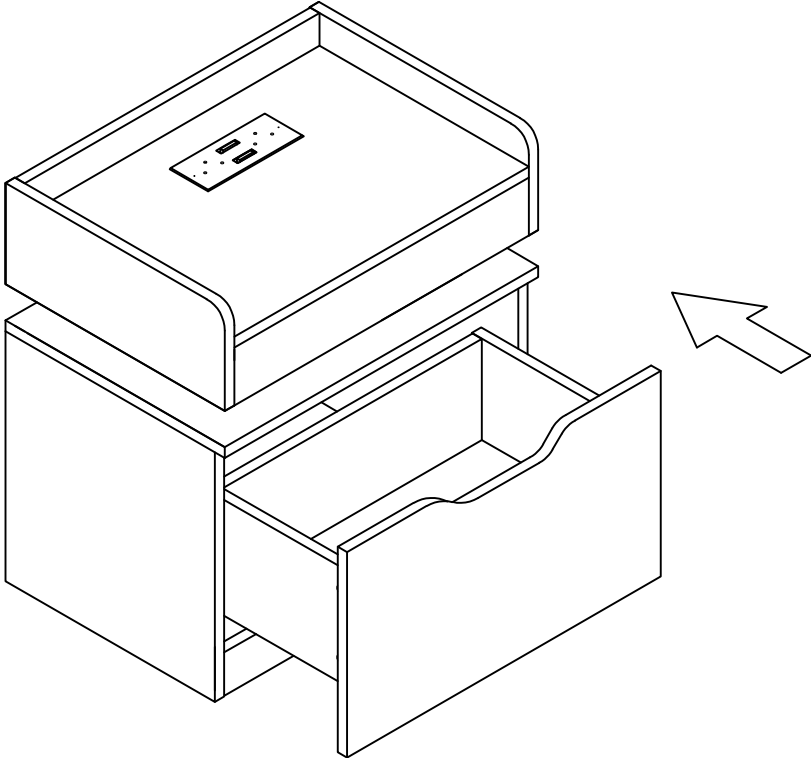


# STEP 14



- D** 3.5\*14  
  
4PCS
- E**  
  
4PCS
- G**  
  
1PCS

STEP 15



STEP 16

