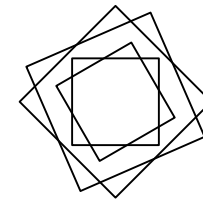
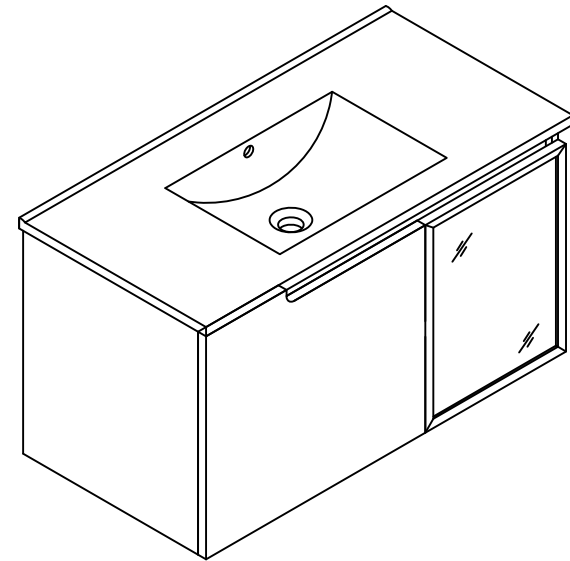


THANKS FOR WATCHING

Your feedback is invaluable to us and we would love to hear about your experience. Please take the time to leave us a review.




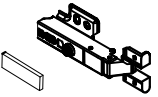












Thank you for shopping with us!

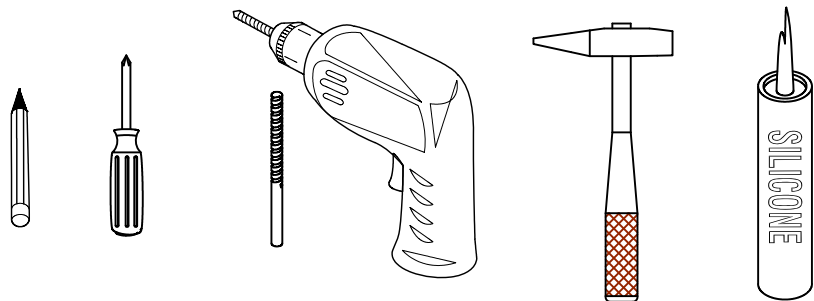
We encourage you to take a few minutes to go through this booklet. It contains important information on installation and care tips to keep your furniture looking as good as new.

Item NO.:BV B13636

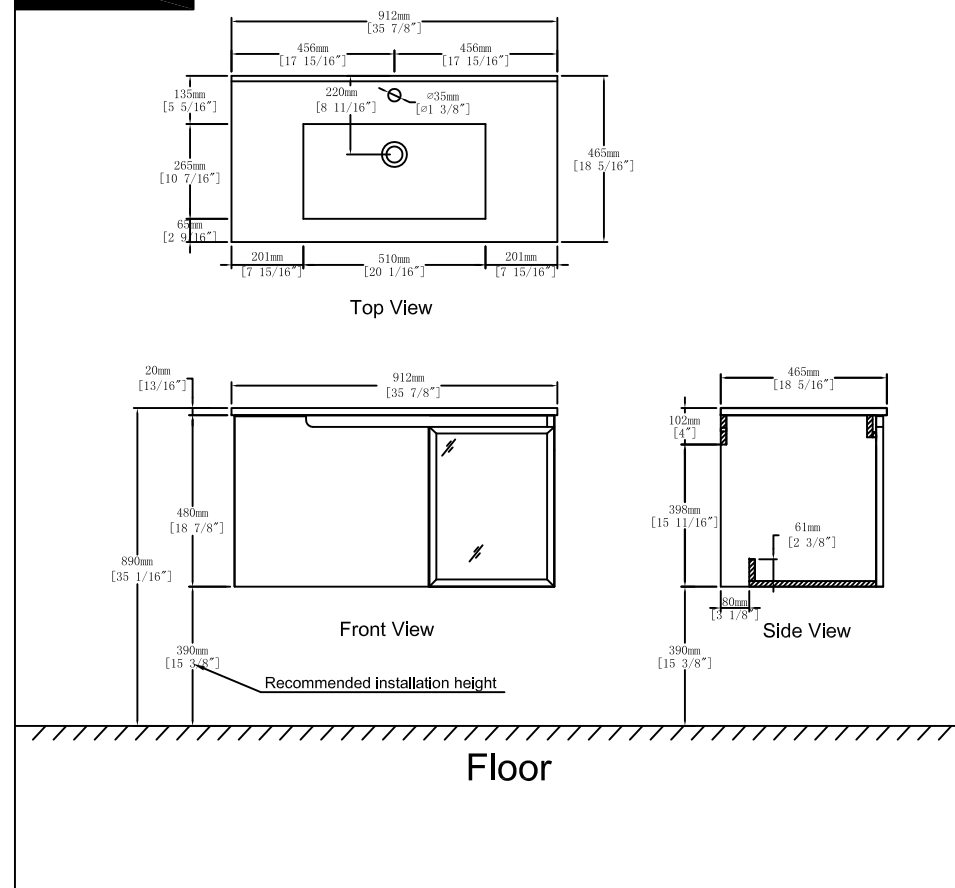
Hardware

NO.	Draw	QTY	NO.	Draw	QTY
A	 Screws Ø4x14mm	46	I	 Screws M4x8mm	4
B	 Two-in-one connector	17	J	 Aluminum door hinges (Full cover)	2
C	 Two-in-one connector	17	K	 Hinges (Full cover)	3
D	 Wood plug	4	L	 Anti-collision gasket (0.5mm)	2
E	 Plastic anchor(Ø10mm)	2	M	 Anti-collision gasket (2mm)	2
F	 Screws for fix on the wall	2	N	 Screwdriver	1
G	 Bracket (53x70x44mm)	2			
H	 Bracket (19x19x35mm)	2			

Recommended tools



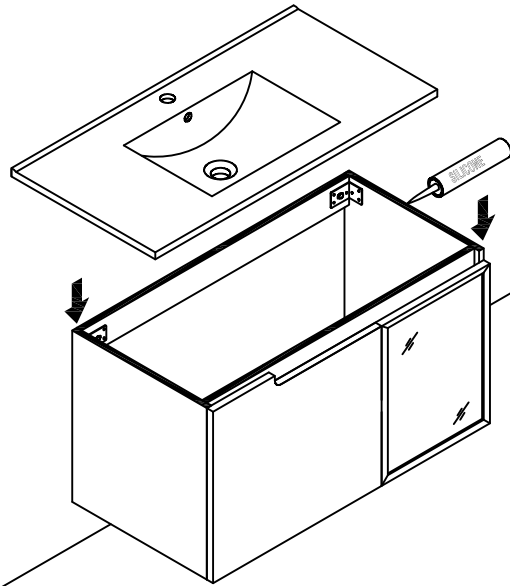
Dimensions



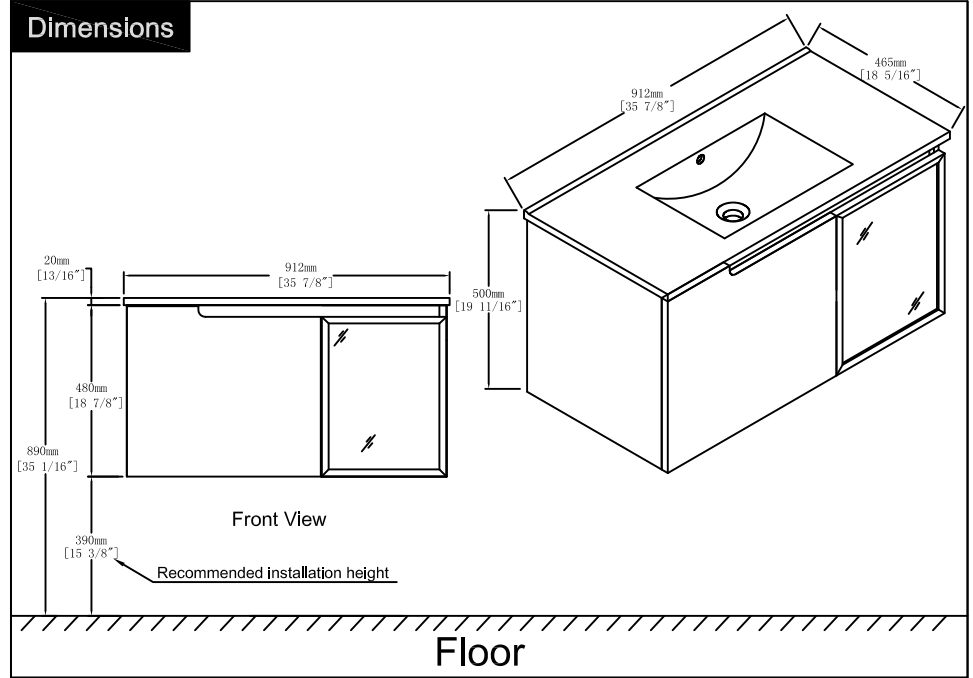
CARE CLEANING AND MAINTENANCE

1. Dust regularly with a soft , dry cloth.
2. Avoid the use of all chemicals household cleaners, abrasives, or cleaners that contain lemon, vinegar, or other acids that may damage the finish.
3. Excessive exposure to sunlight and extreme changes in temperature and moisture can damage wood furniture.
4. The sink is fragile, please pay attention to maintaining its appearance.
5. Do not place hot appliances, such as curling irons and hot hair dryers directly on the countertop. Wipe spills immediately.

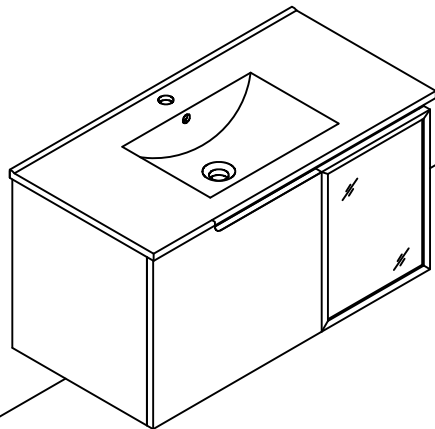
Step 13



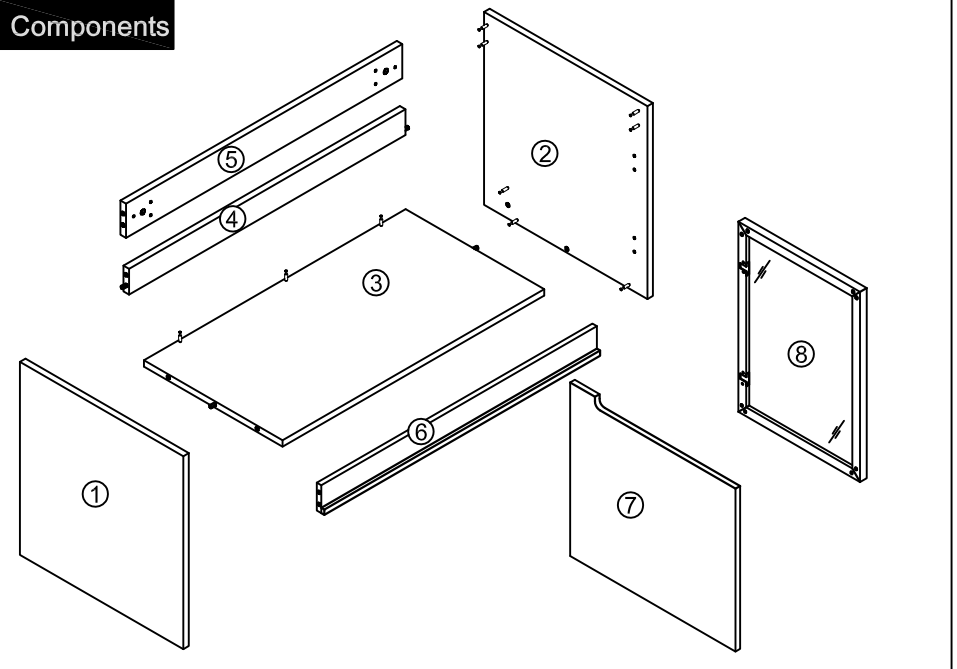
Dimensions



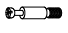

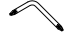
Finished

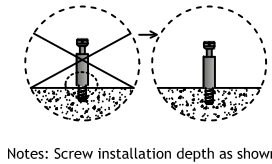
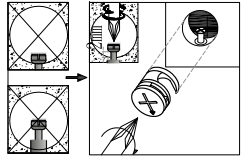
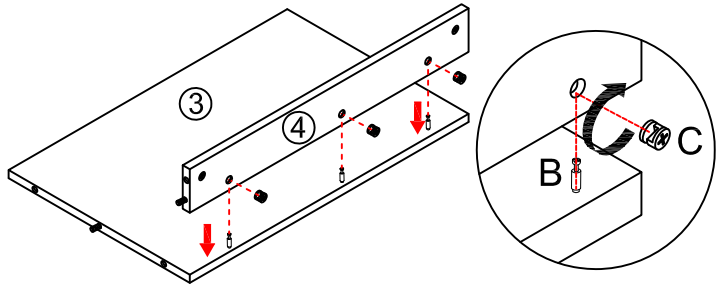


Components



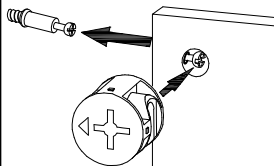
Step 1

-  x3
- B**
-  x3
- C**
- 
- N**





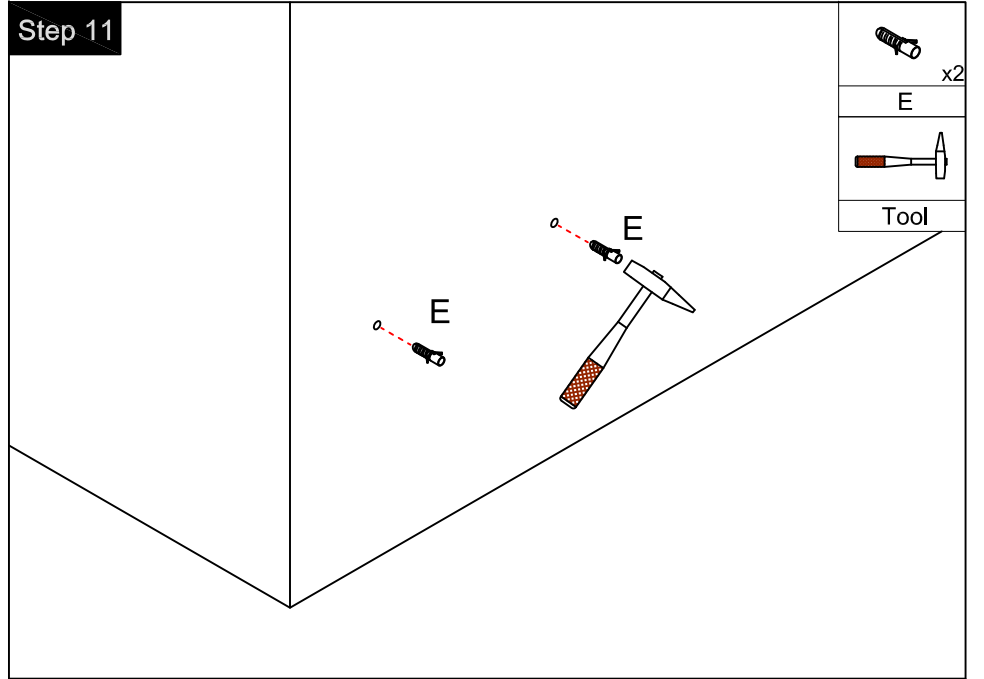
Notes: Screw installation depth as shown

Attention: Cam lock arrow point to the steel rod.

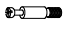





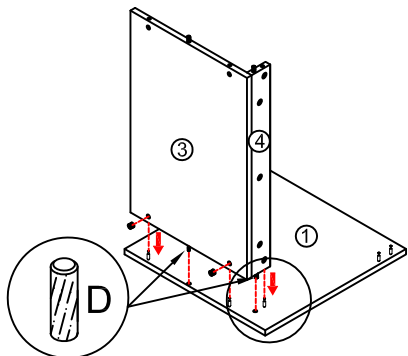
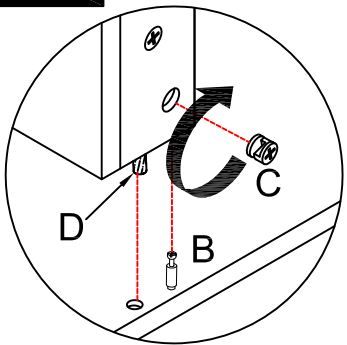
Step 11

-  x2
- E**
- 
- Tool**

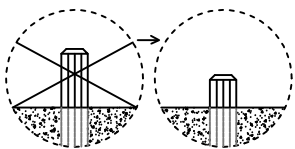


Step 2

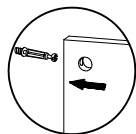
-  x3
- B**
-  x3
- C**
-  x2
- D**
- 
- N**



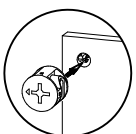
Note: The D parts are used for these two holes



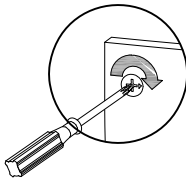
first step



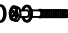

second step

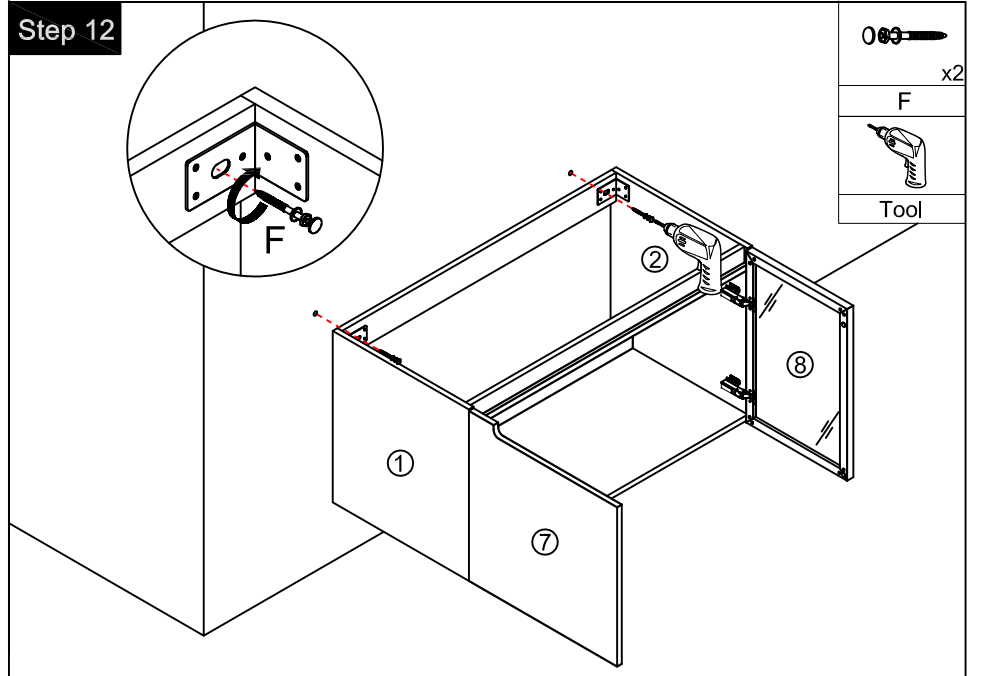


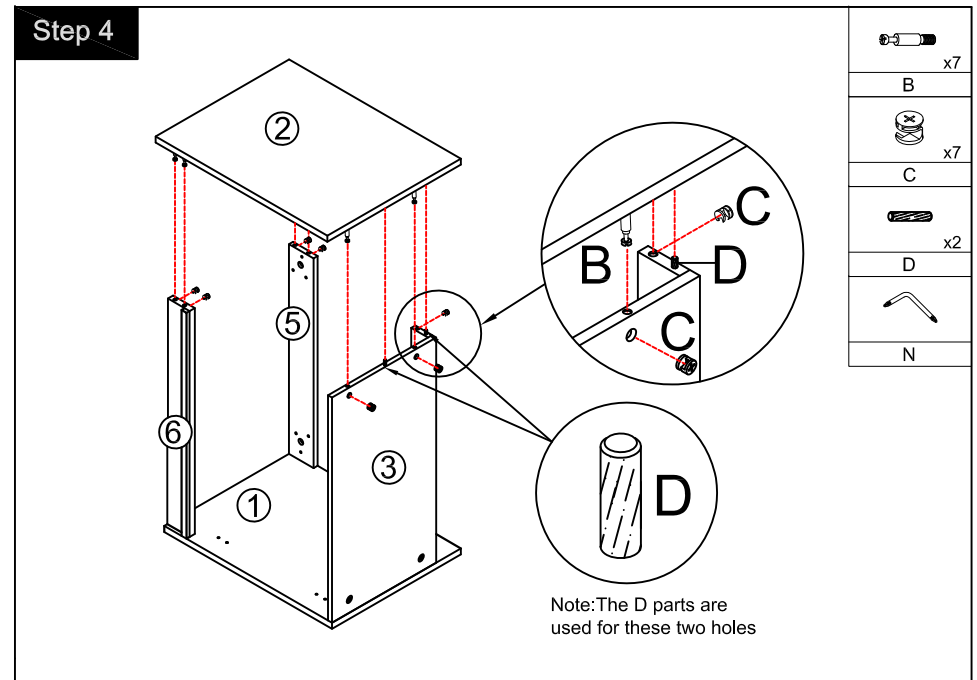
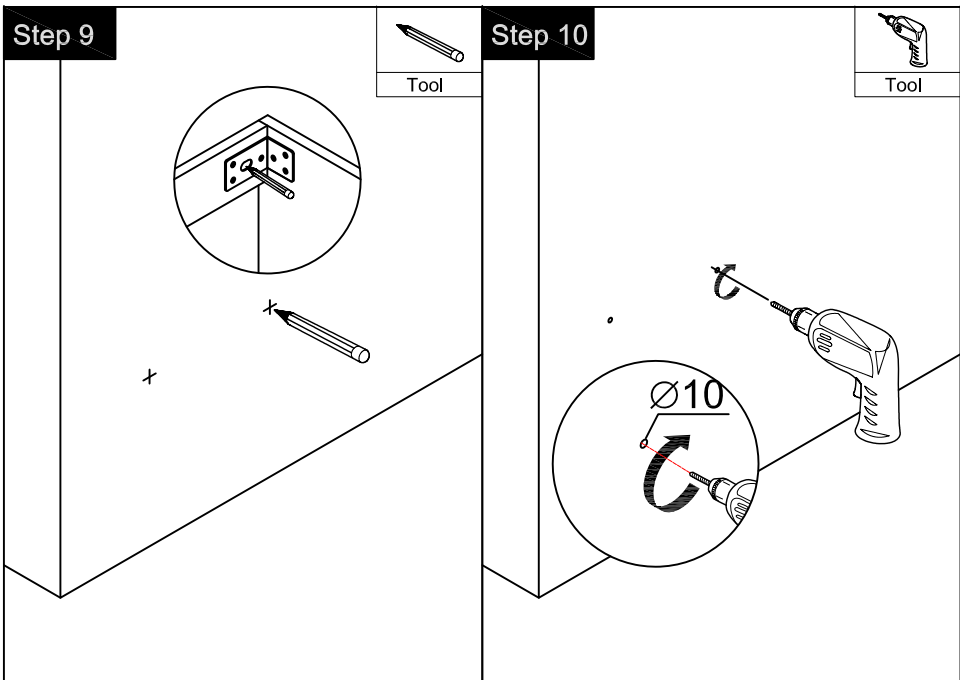
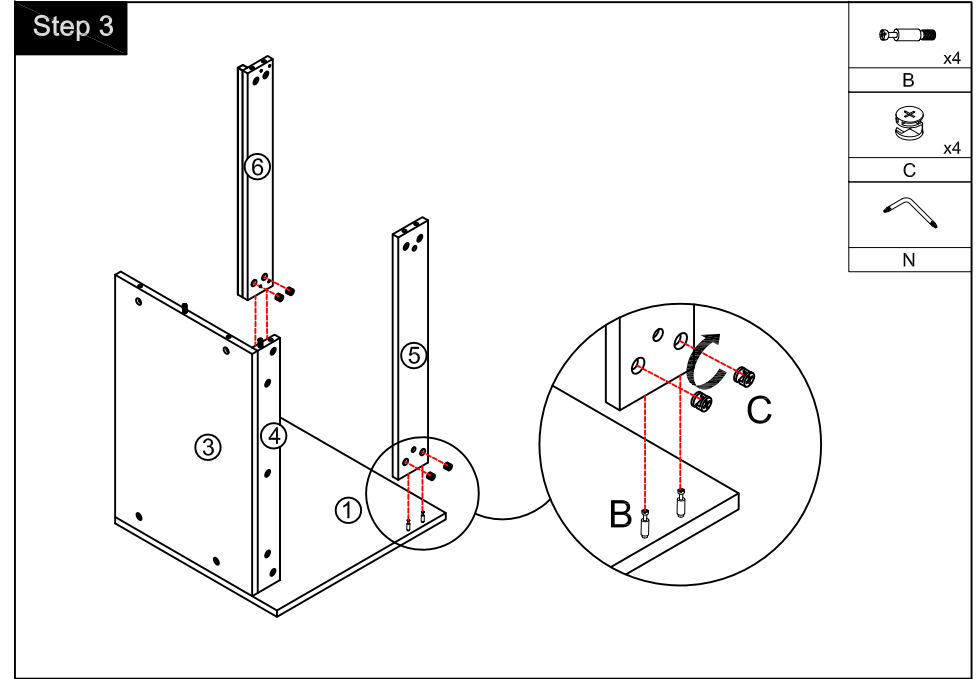
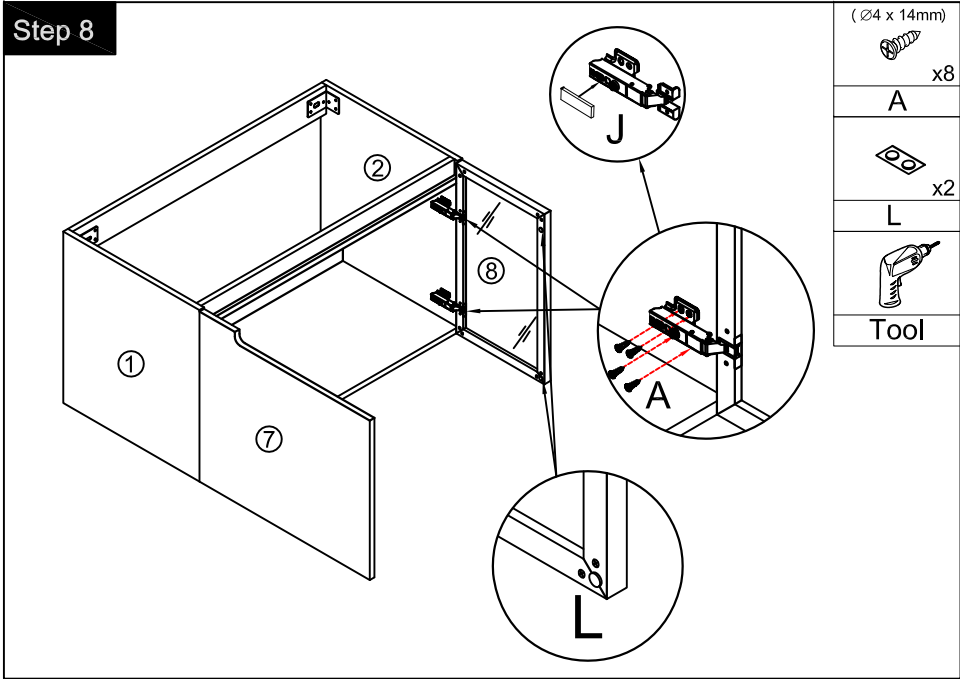
third step



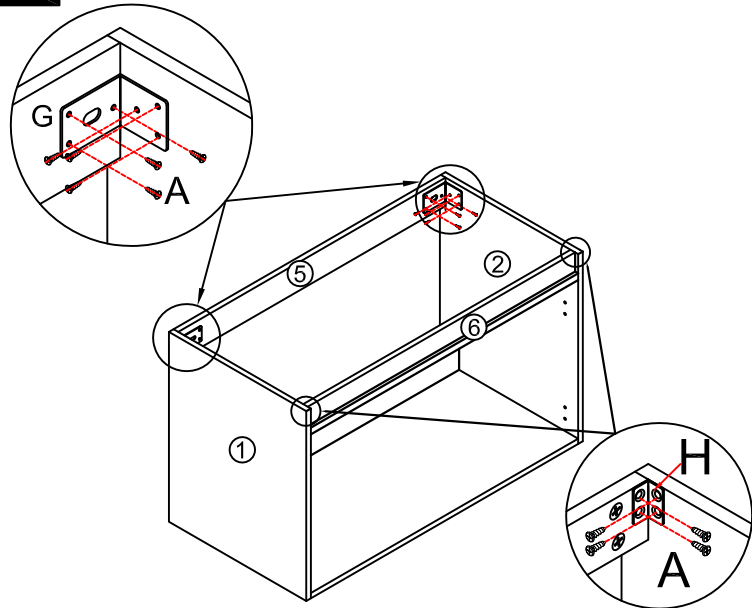
Step 12

-  x2
- F**
- 
- Tool**



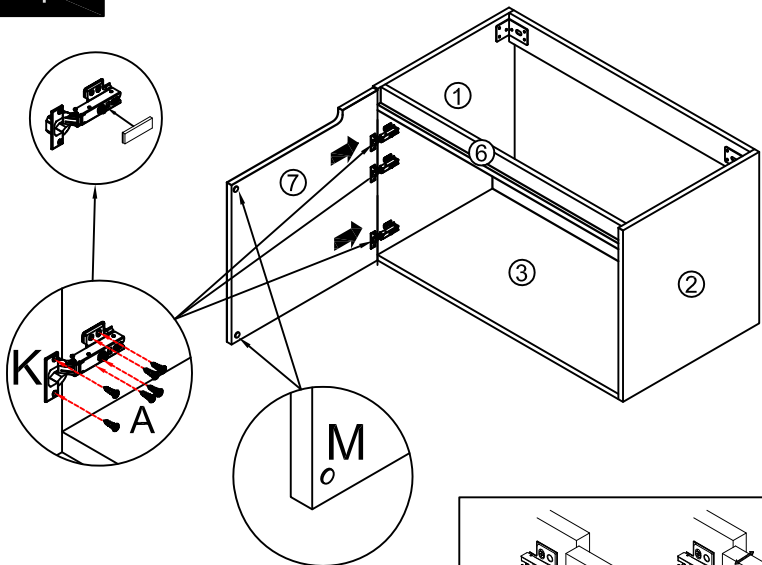


Step 5



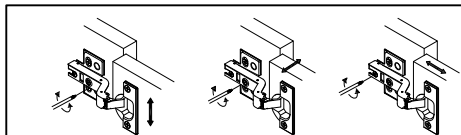
	x2
G	
	x2
H	
($\varnothing 4 \times 14\text{mm}$)	
	x20
A	
	Tool

Step 6



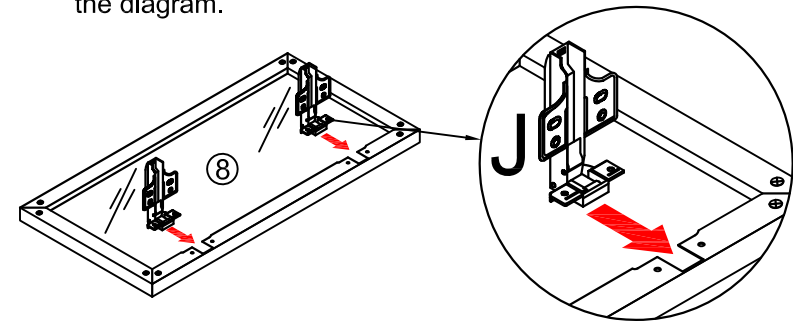
	x3
K	
($\varnothing 4 \times 14\text{mm}$)	
	x18
A	
	x2
M	
	Tool

You can adjust the doors by tightening or loosening the screws on the hinge. →

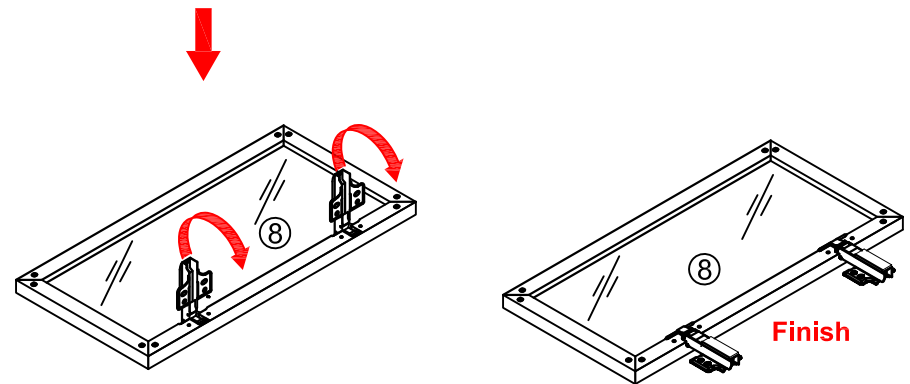


Step 7

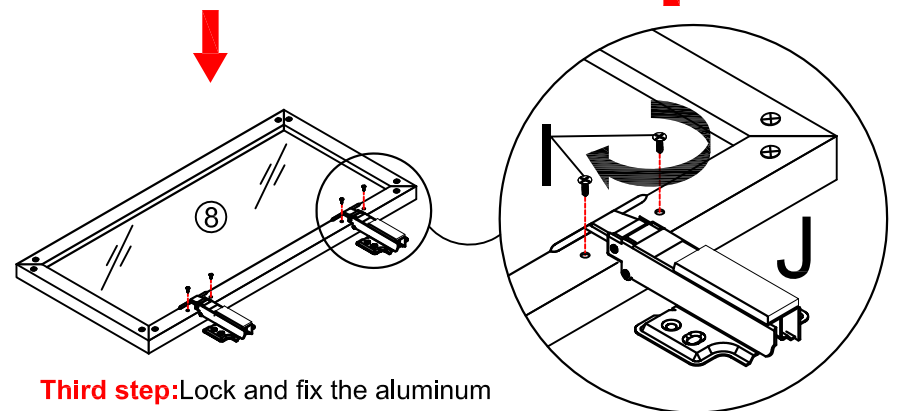
First step: Insert the aluminum frame door hinge J into the hinge groove of the door frame as shown in the diagram.



	x2
J	
	x4
I	



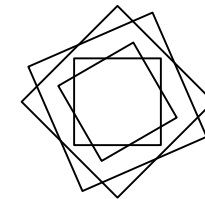
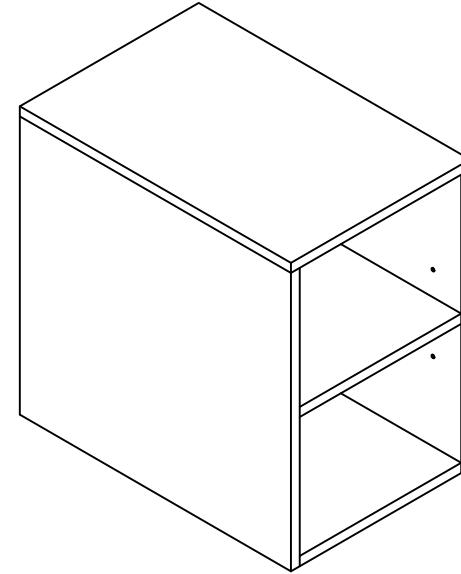
Second step: Flatten the door hinge according to the diagram.



Third step: Lock and fix the aluminum frame door hinge J with screw I.

THANKS FOR WATCHING

Your feedback is invaluable to us and we would love to hear about your experience. Please take the time to leave us a review.



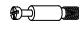







Thank you for shopping with us!

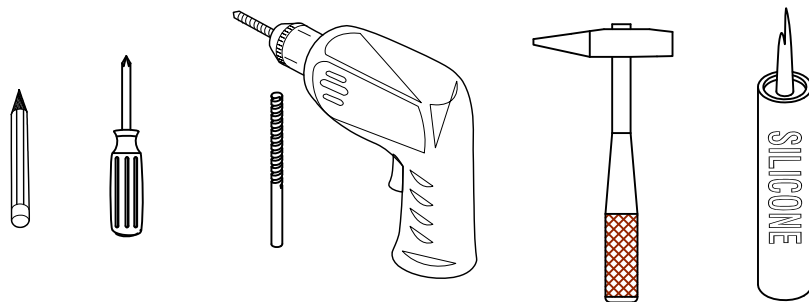
We encourage you to take a few minutes to go through this booklet. It contains important information on installation and care tips to keep your furniture looking as good as new.

Item NO.:BV C00612

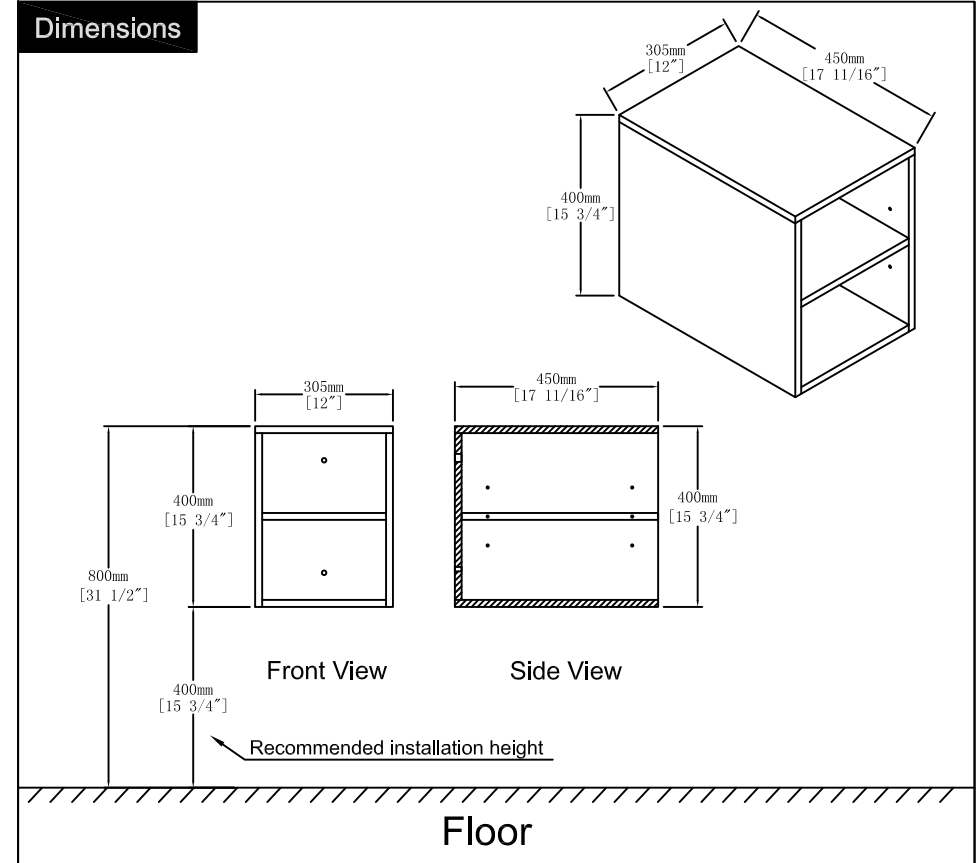
Hardware

NO.	Draw	QTY	NO.	Draw	QTY
A	 Screws	4	E	 Plastic anchor(Ø10mm)	2
B	 Two-in-one connector	14	F	 Wall hanging screw decorative cover	2
C	 Two-in-one connector	14	G	 Screws for fix on the wall	2
D	 Wood plug	4	H	 Screwdriver	1

Recommended tools

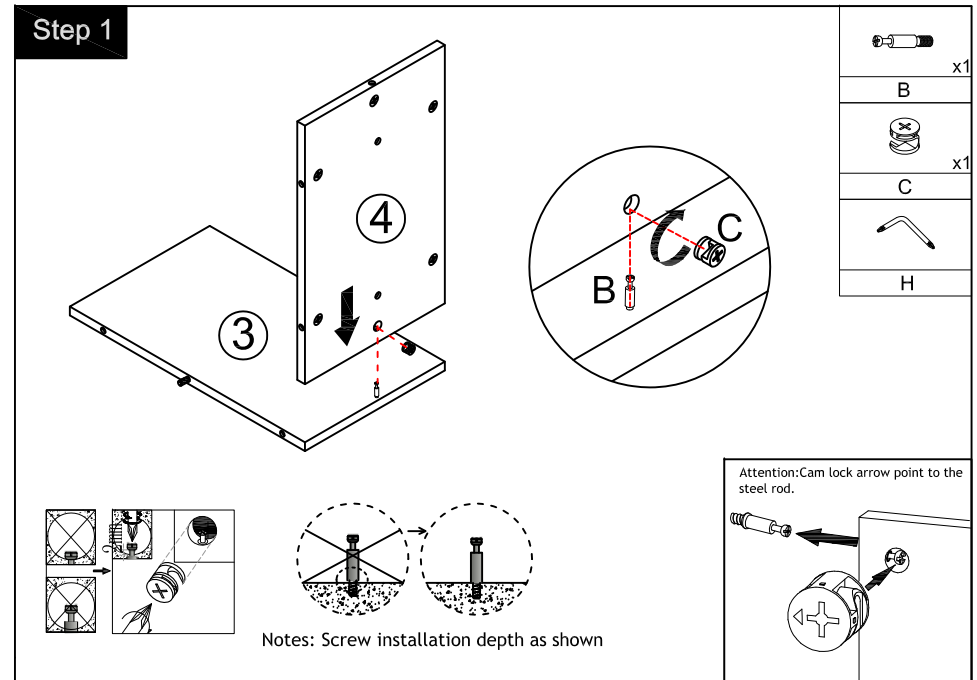
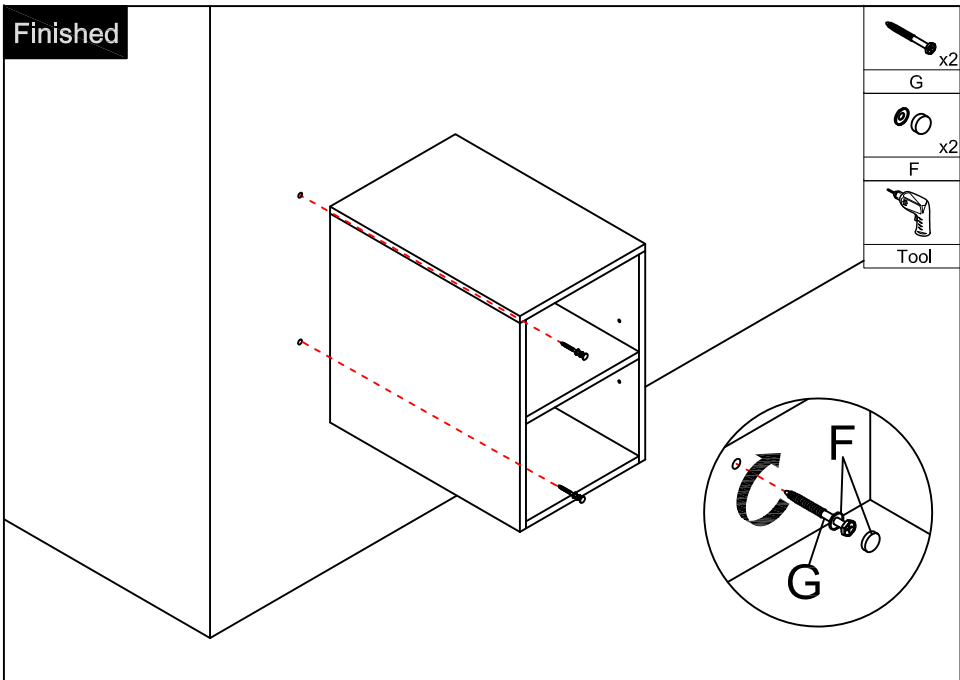
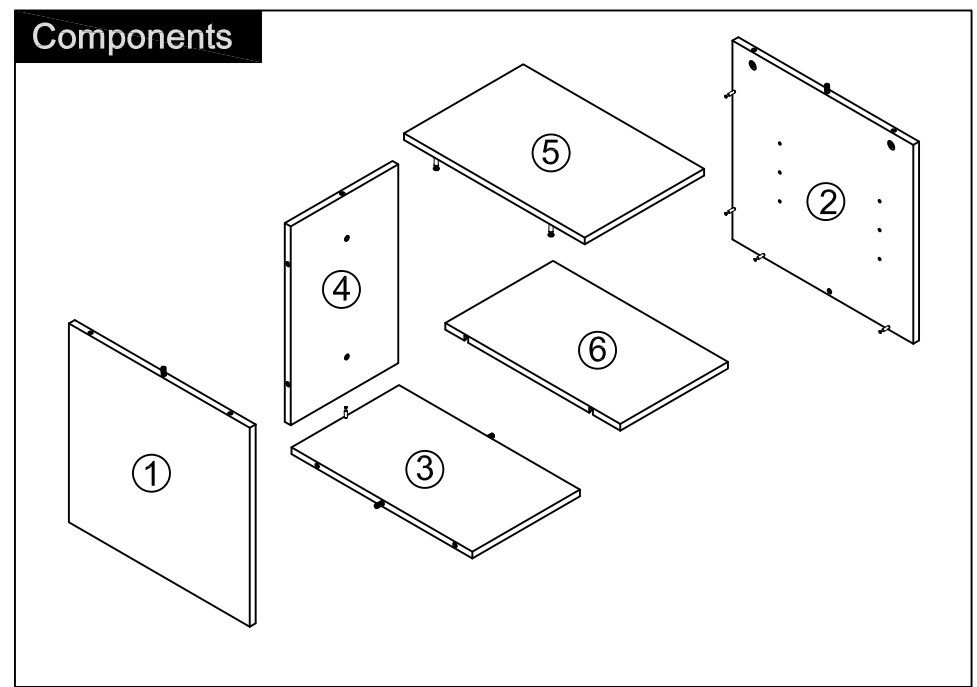
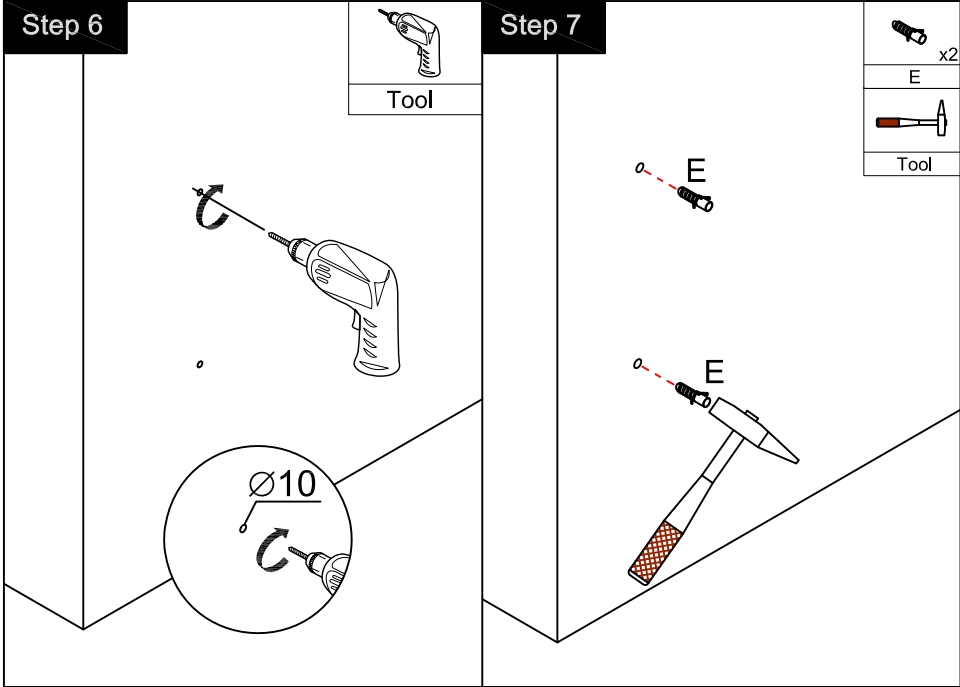


Dimensions

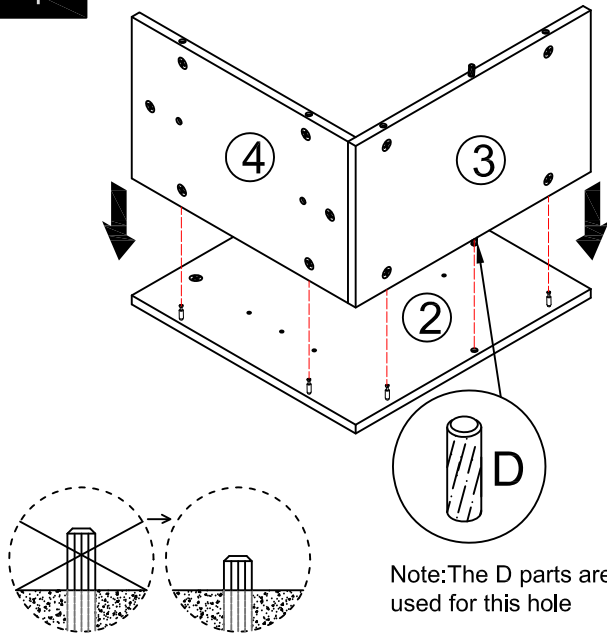


CARE CLEANING AND MAINTENANCE

1. Dust regularly with a soft , dry cloth.
2. Avoid the use of all chemicals household cleaners, abrasives, or cleaners that contain lemon, vinegar, or other acids that may damage the finish.
3. Excessive exposure to sunlight and extreme changes in temperature and moisture can damage wood furniture.
4. The sink top is resilient, but care needs to be taken to preserve its appearance.
5. Do not place hot appliances, such as curling irons and hot hair dryers directly on the countertop. Wipe spills immediately.

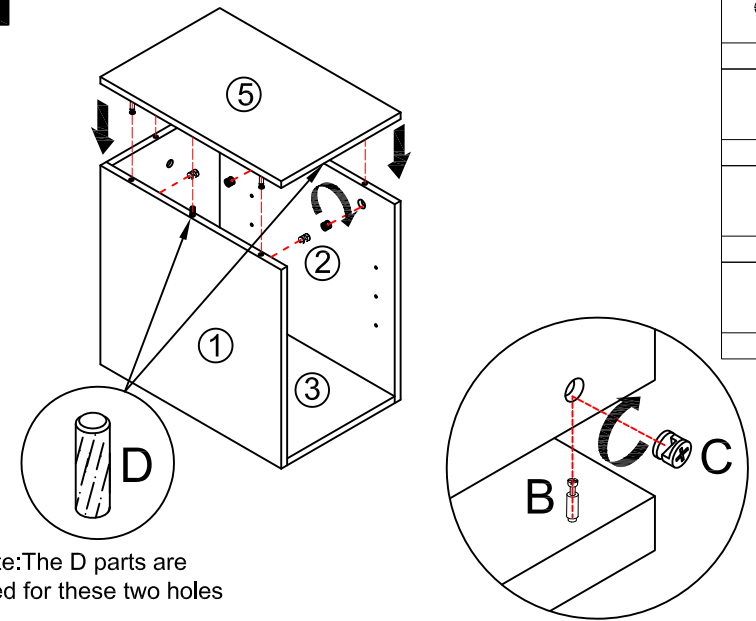


Step 2



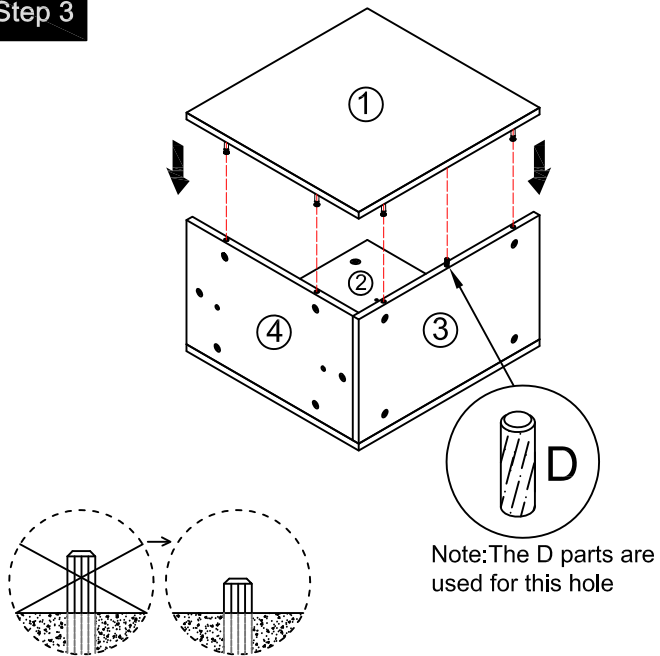
	x4
B	
	x4
C	
	x1
D	
H	

Step 4



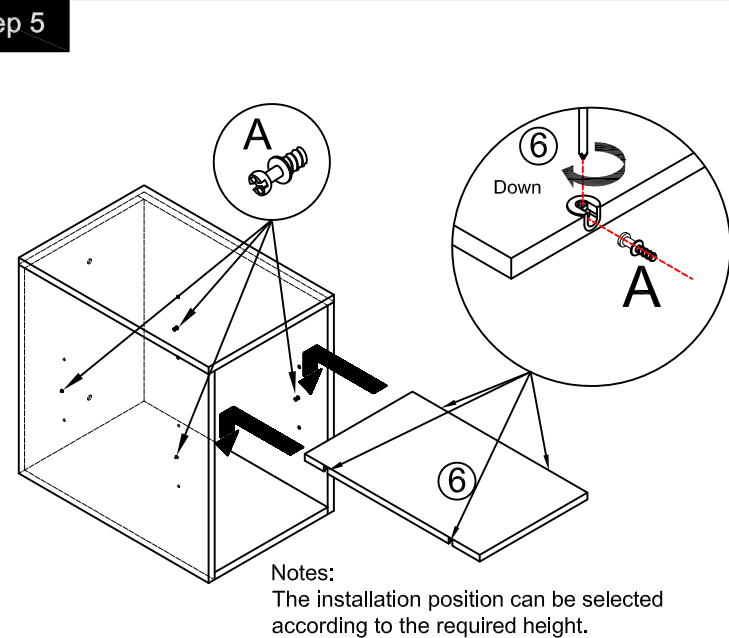
	x5
B	
	x5
C	
	x2
D	
H	

Step 3



	x4
B	
	x4
C	
	x1
D	
H	

Step 5



	x4
A	