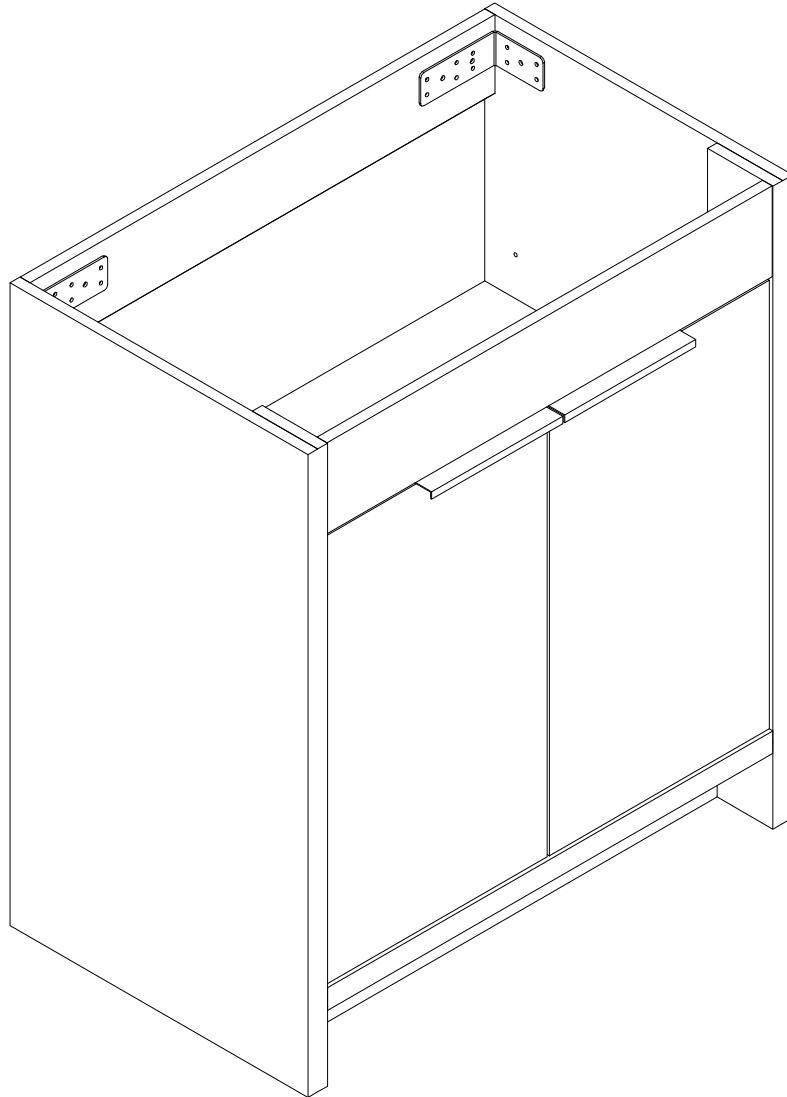


# INSTALLATION GUIDE



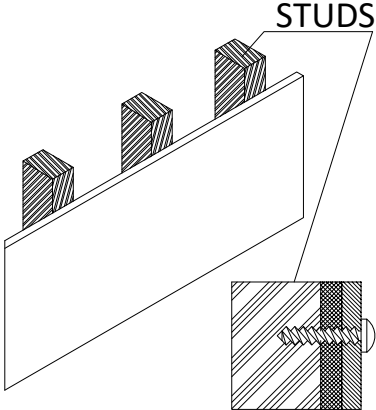
## WALL CABINET INSTALLATION

### STEP 1: SELECT HARDWARE THAT IS BEST SUITED FOR YOUR WALL TYPE

IMPORTANT: USE "PAN HEAD" OR "ROUND HEAD" SCREWS WITH SEAT WASHERS. SEAT SCREWS TIGHTLY AGAINST BACK RAIL OR PANEL WITHOUT DRIVING INTO BACK RAIL OR PANEL MATERIAL.

### PASO 1: INSTALACION DE GABINETES, SELECCIONE LA HERRAJERIA QUE MAS SE ADECUA AL TIPO DE SU PARED.

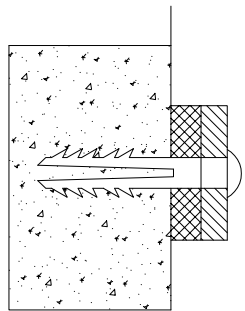
IMPORTANTE: USA TORNILLOS DE "CABEZA PLANA BISELADA" O " CABEZA REDONDA" CON ARANDELAS DE ASENTO. COLOCA LOS TORNILLOS FIRMEMENTE CONTRA EL PANEL O EL RIEL TRASERO SIN INSERTARLOS EN EL PANEL O EL RIEL



**STUDS** **STUDS:** Secure to wall with #10 x 3" screws at stud location. Locate at least 2 wall studs

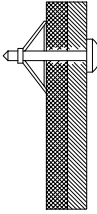
**MONTANTES:** Fjelo a la pared con tornillos de # 10 x 3 pulgadas en los montantes.

Use at least 4 wall anchors when installing a 24" and 30" cabinet. Use at least 6 wall anchors when installing a 36" and 48" cabinet.



**CONCRETE:** Drill  $\frac{1}{4}$ " holes, insert #10 wall anchors and secure to wall with #10 x3" screws.

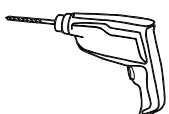
**CONCRETO:** Taladre orificios de  $\frac{1}{4}$  pulgada, inserte anclas de expansión de #10 y fijelo a la pared con tornillos de # 10 x 3 pulgadas.



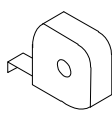
**DRYWALL:** Drill holes and secure to the wall with toggle bolts. Note: Use toggle bolts only when cabinet cannot be attached to a wall stud.

**PANEL DE YESO:** Taladre los orificios y fije la unidad a la pared con pernos acodillados. Nota: Use pernos acodillados sólo cuando el gabinete no se pueda fijar a los montantes de pared.

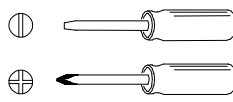
### PRE-INSTALLATION - TOOLS REQUIRED



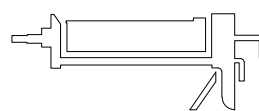
Drill



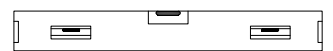
Measuring tape



Screwdriver



Silicone



Level



Pencil



Ax28



Bx28



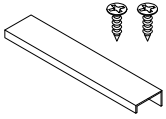
Cx12



Dx24



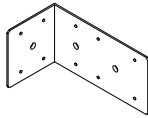
Ex20



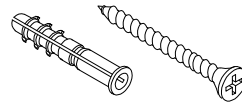
Fx2



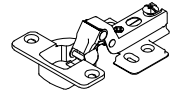
Gx4



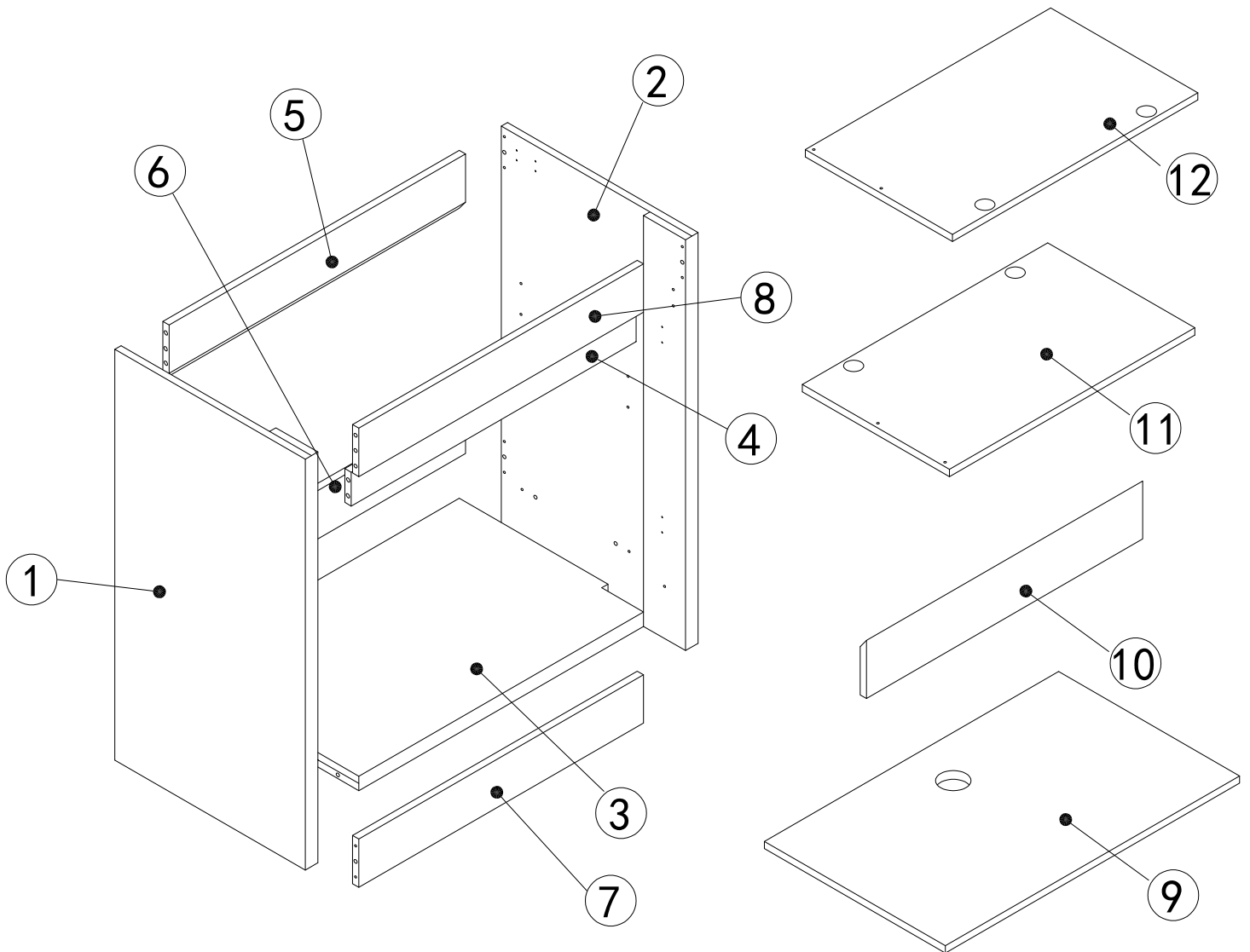
Hx2



Ix6



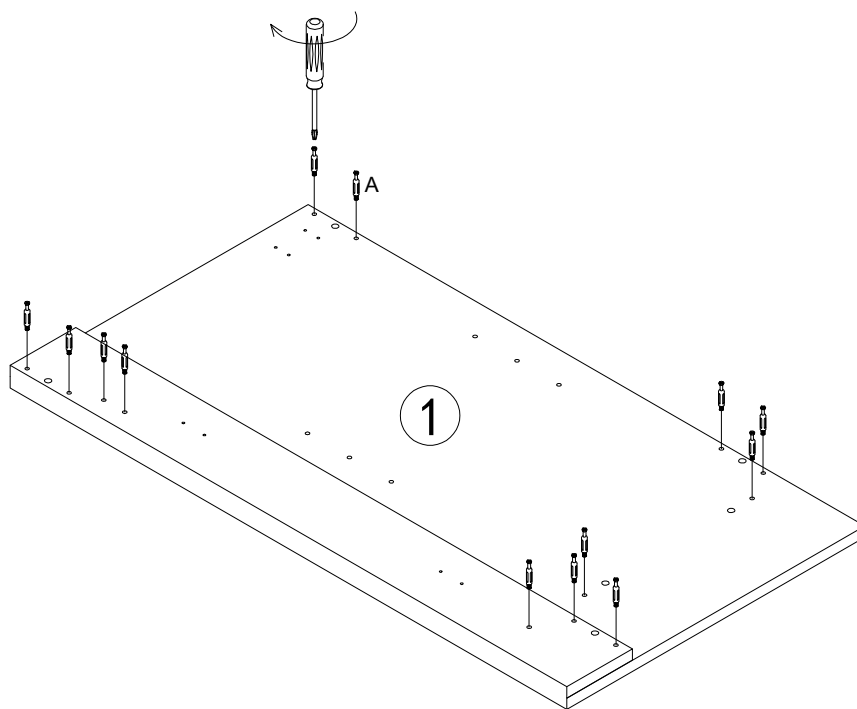
Jx4



Panels Check



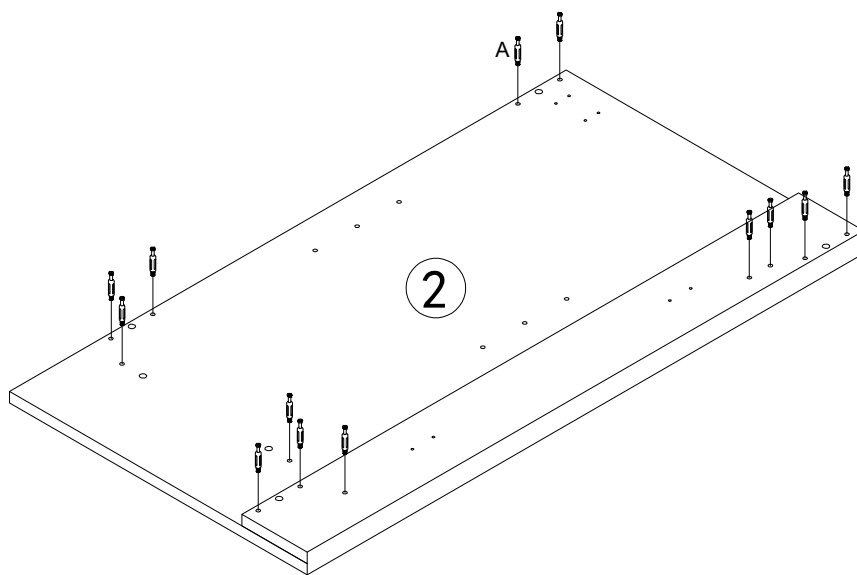
Ax13



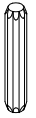
2



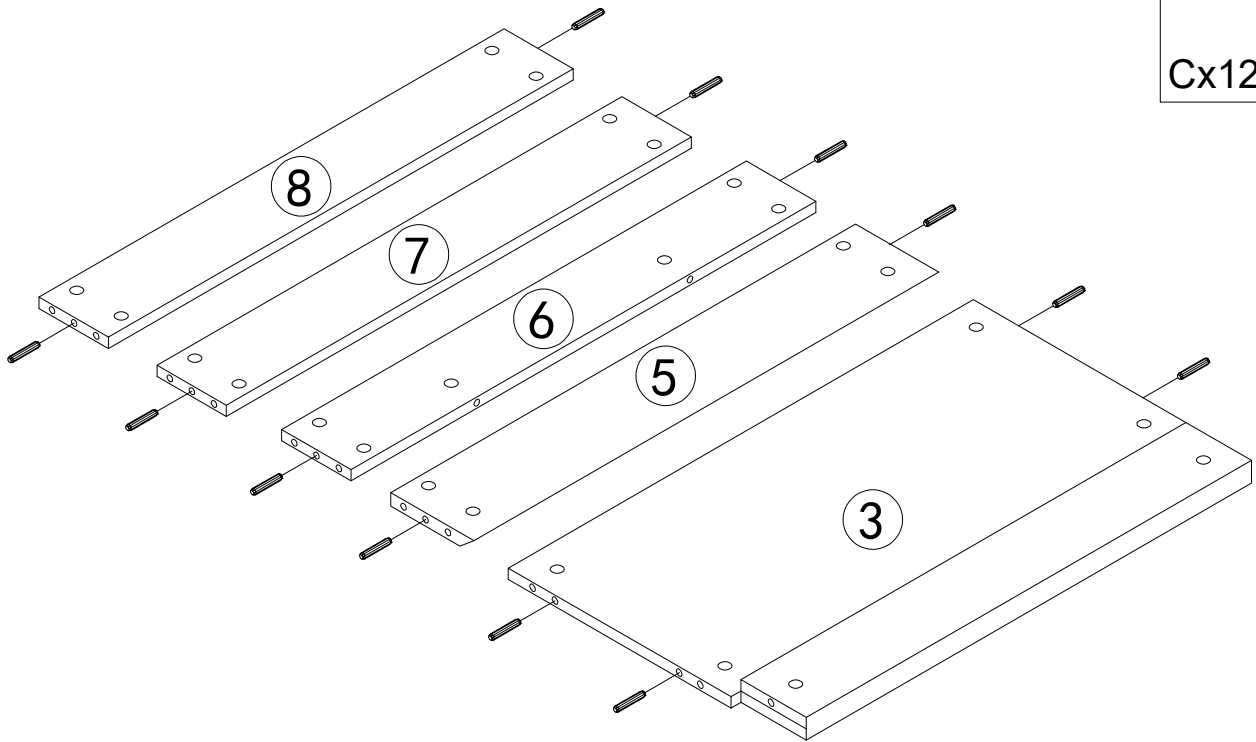
Ax13



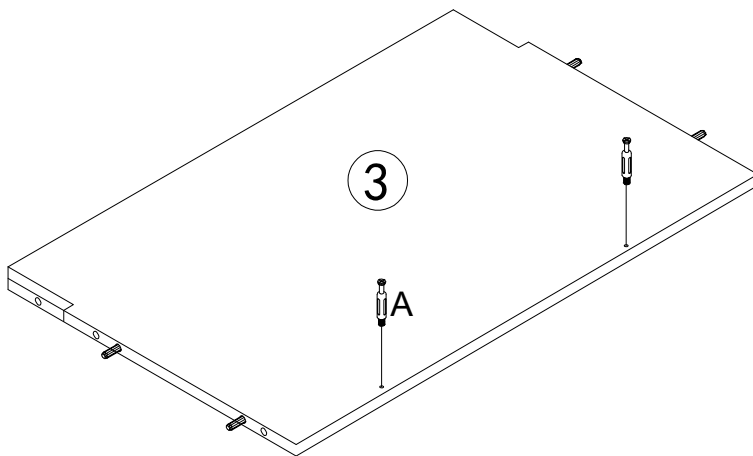
3



Cx12



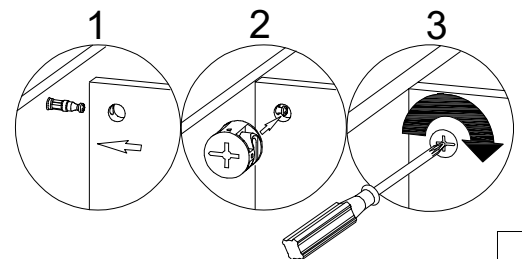
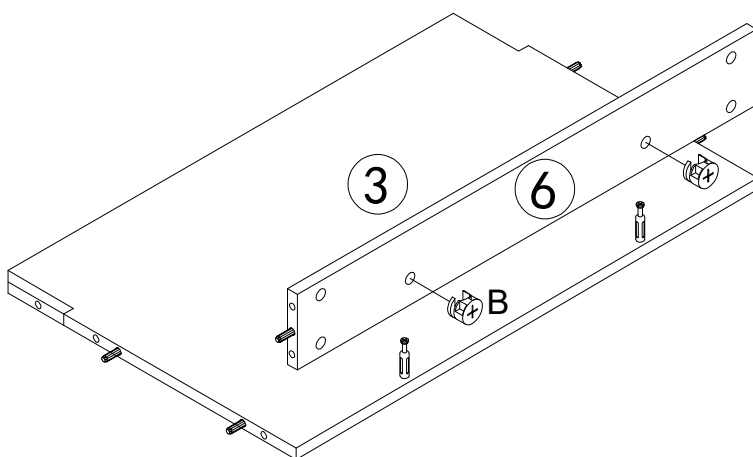
4



Ax2



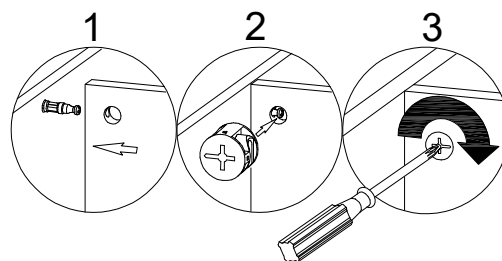
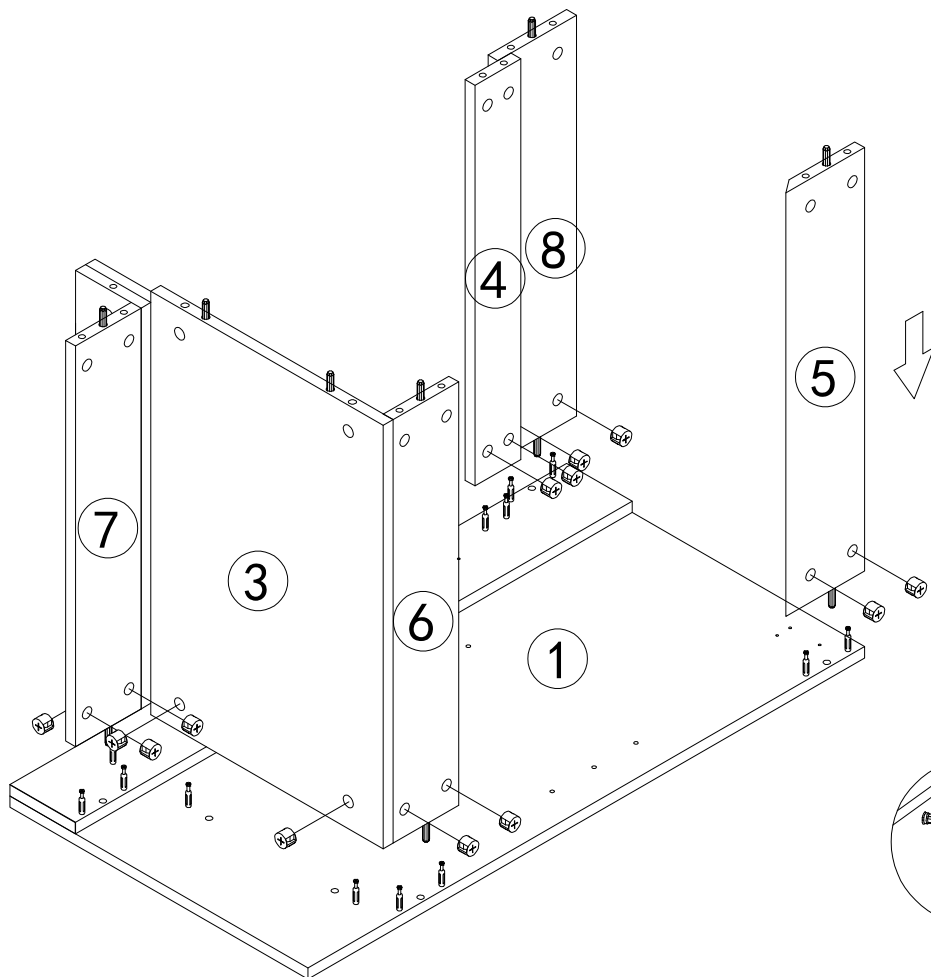
Bx2



5



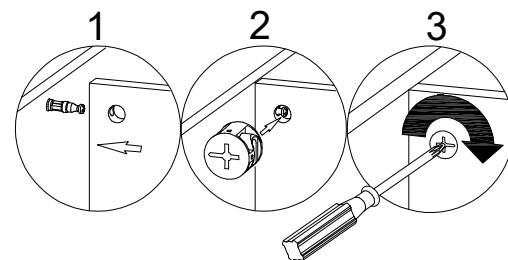
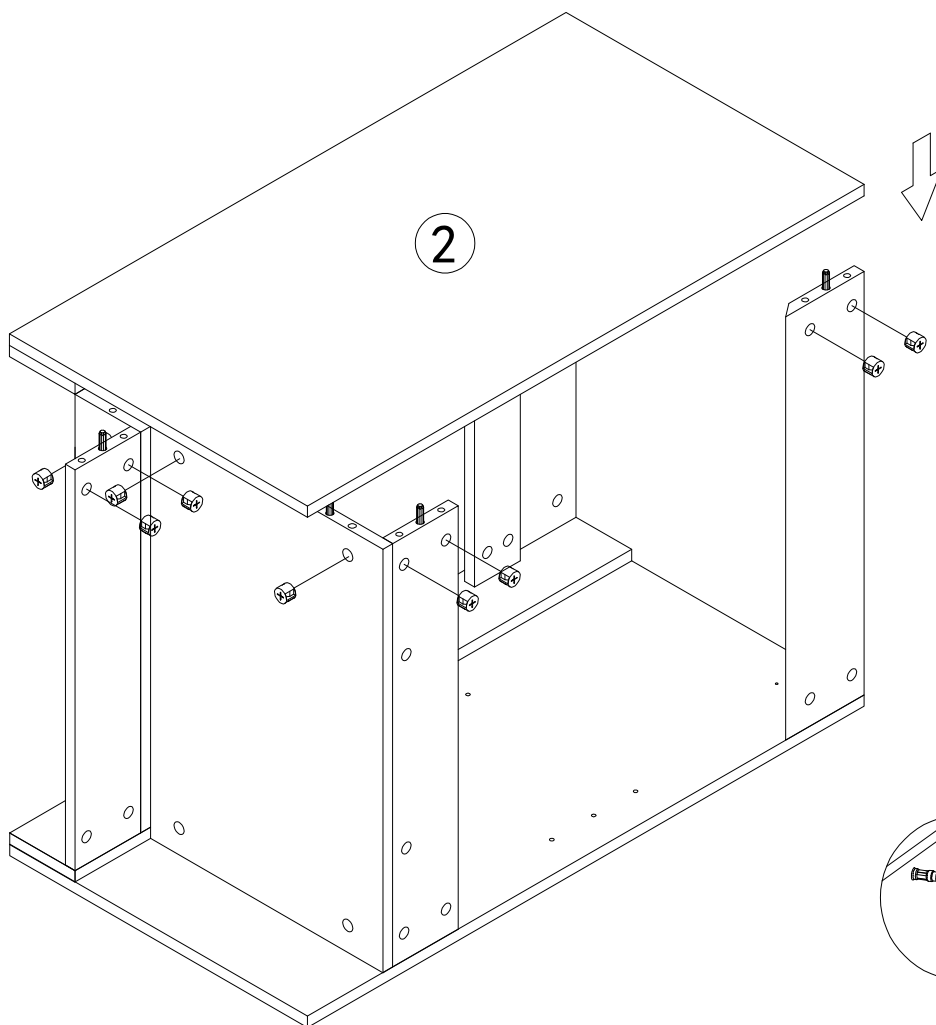
Bx13



6



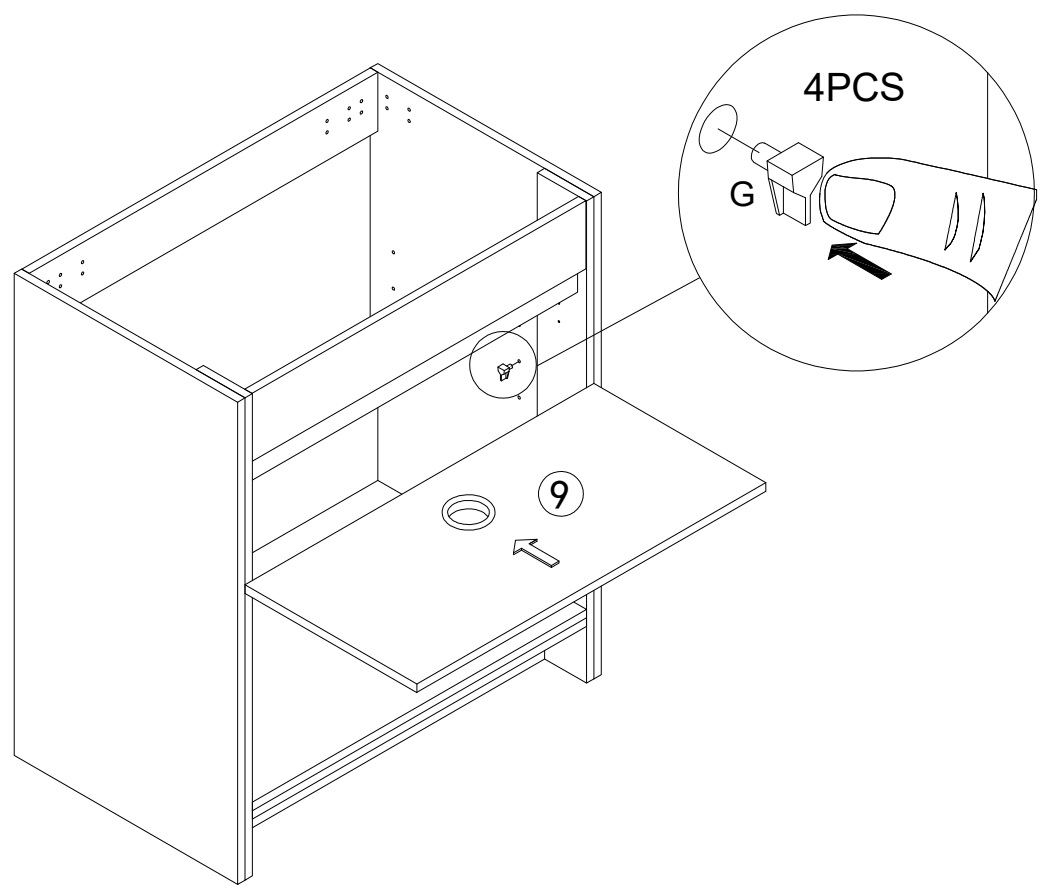
Bx13



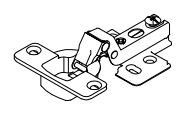
7



Gx4



8

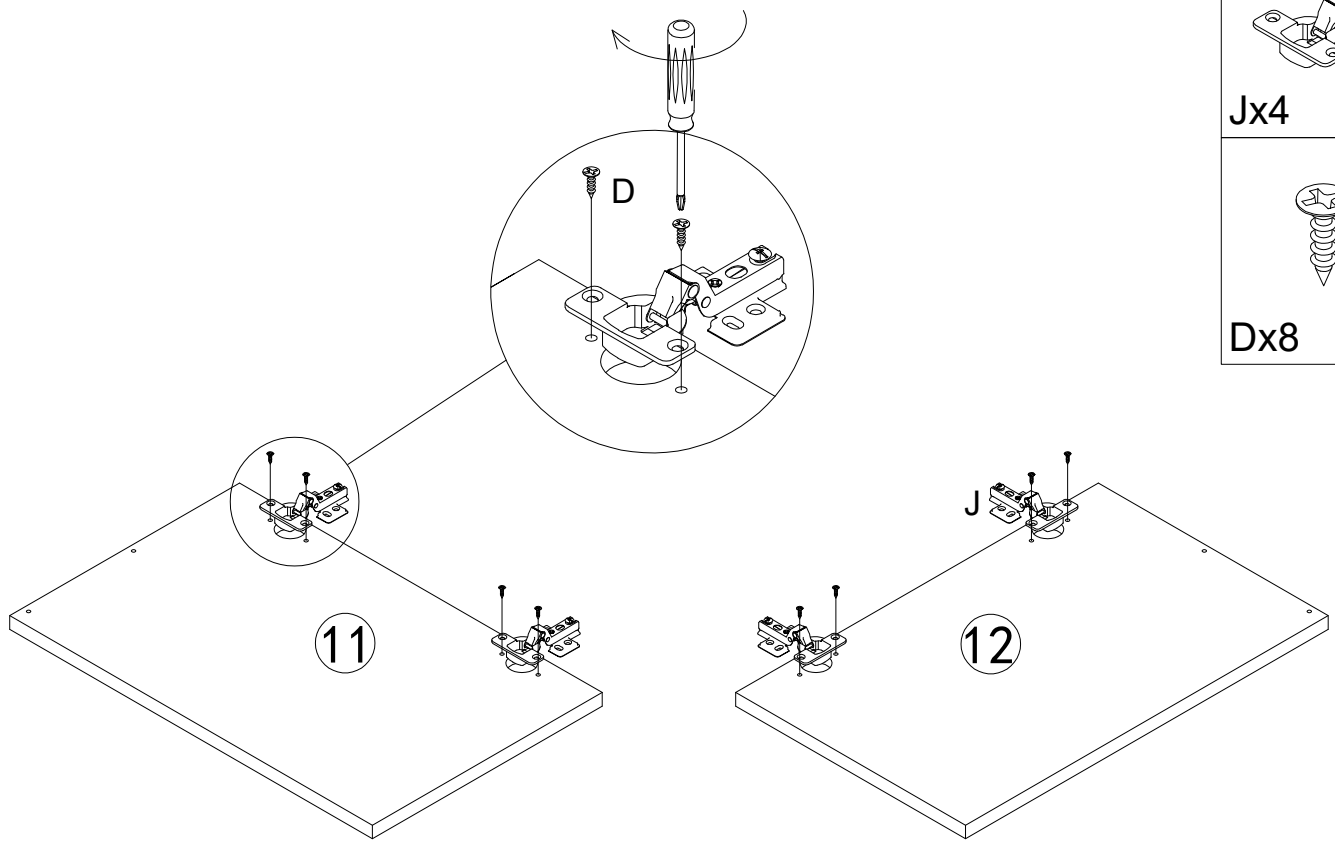


Jx4

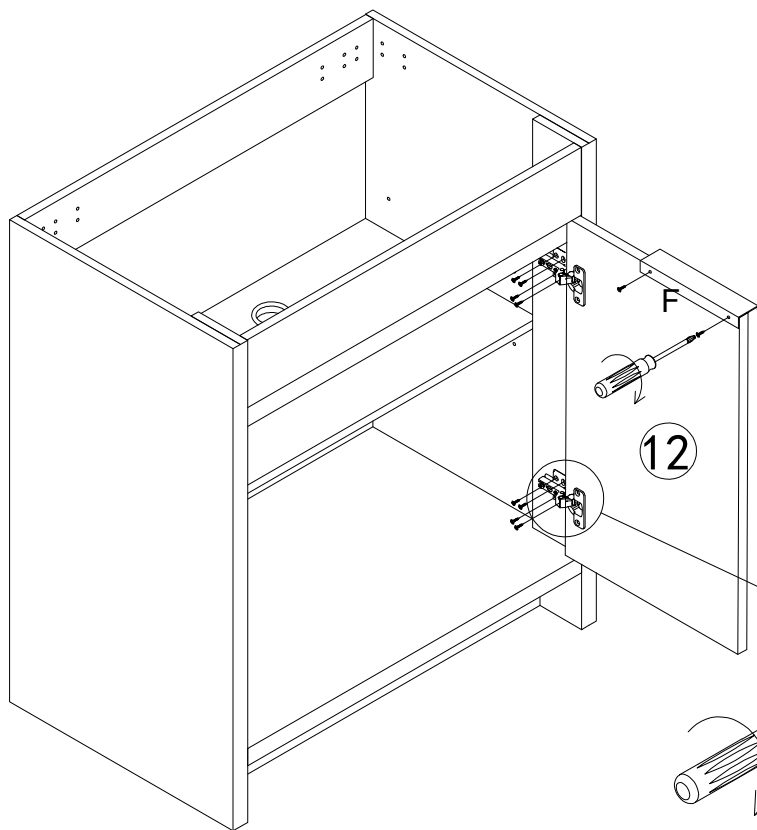


4\*14

Dx8

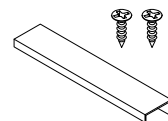


9

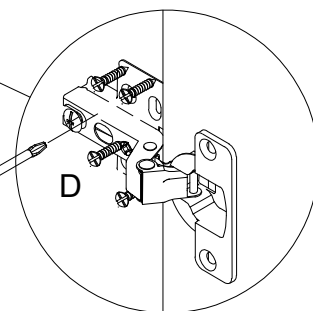


4\*14

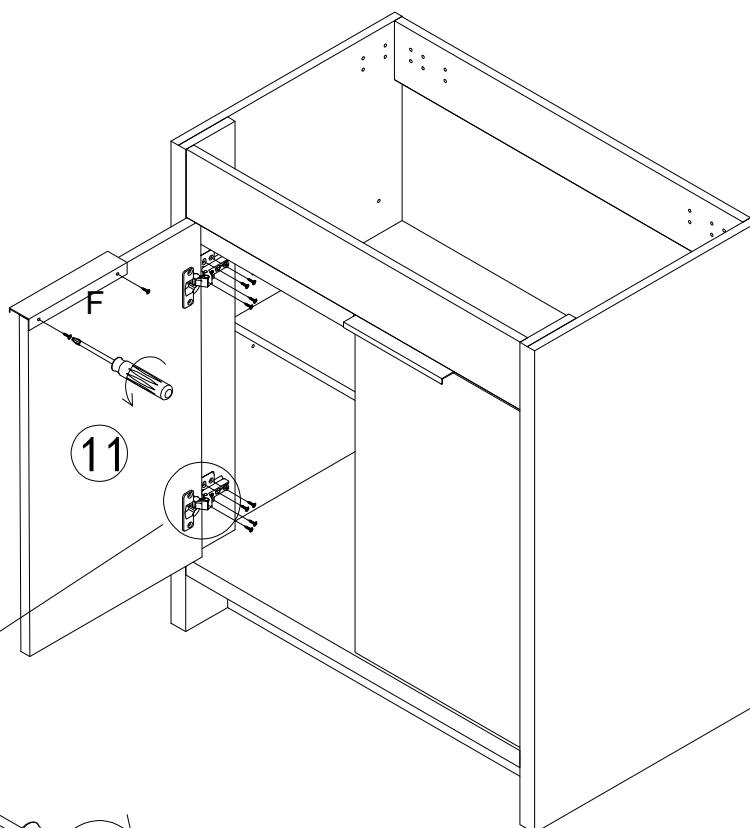
Dx8



Fx1

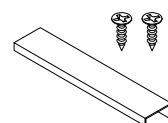


10

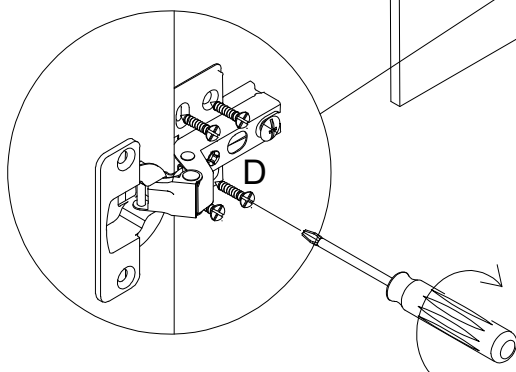


4\*14

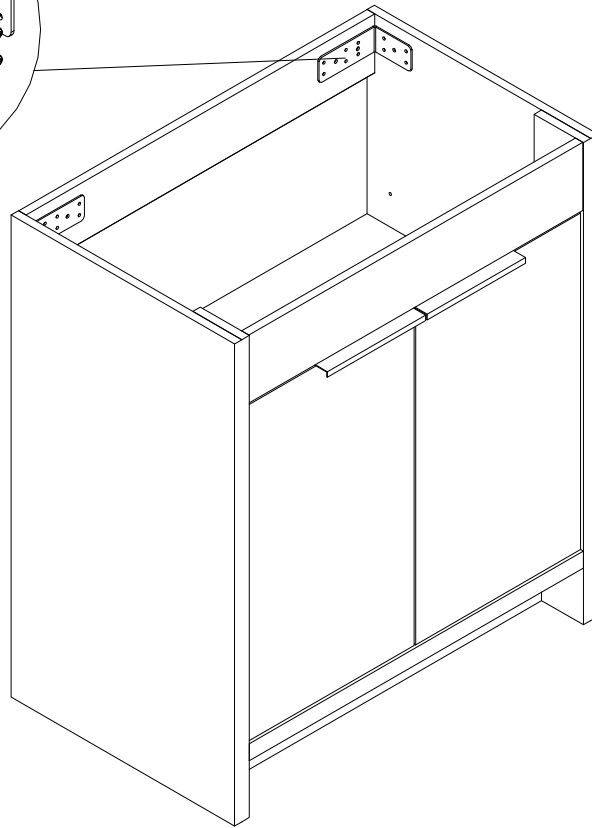
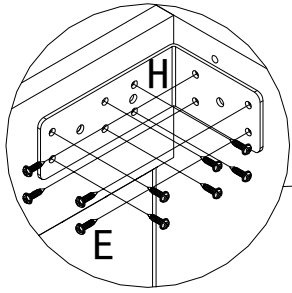
Dx8



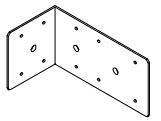
Fx1



11

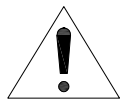
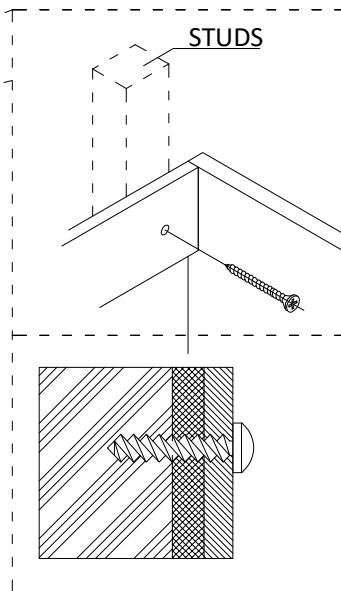
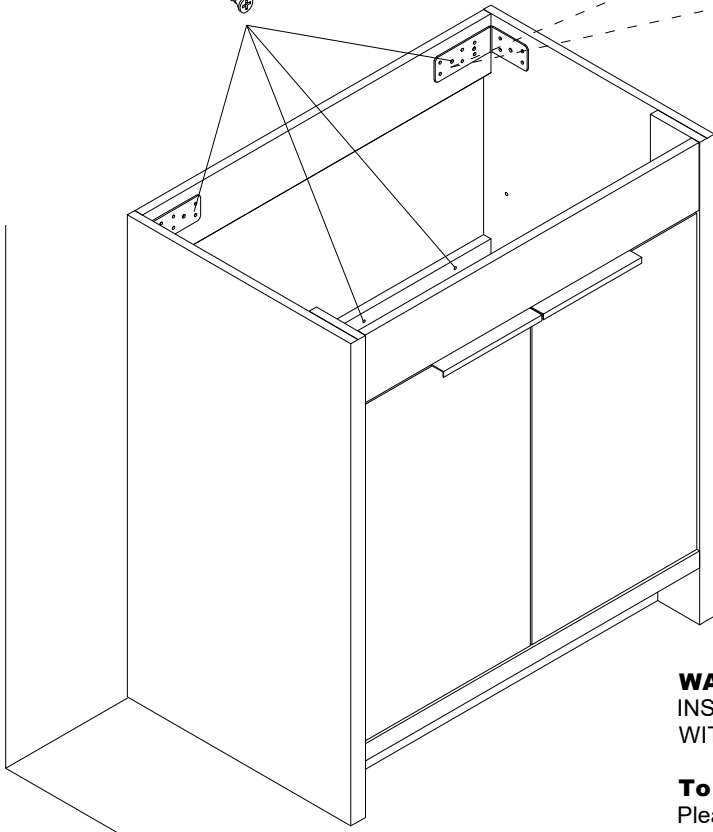


Ex20



Hx2

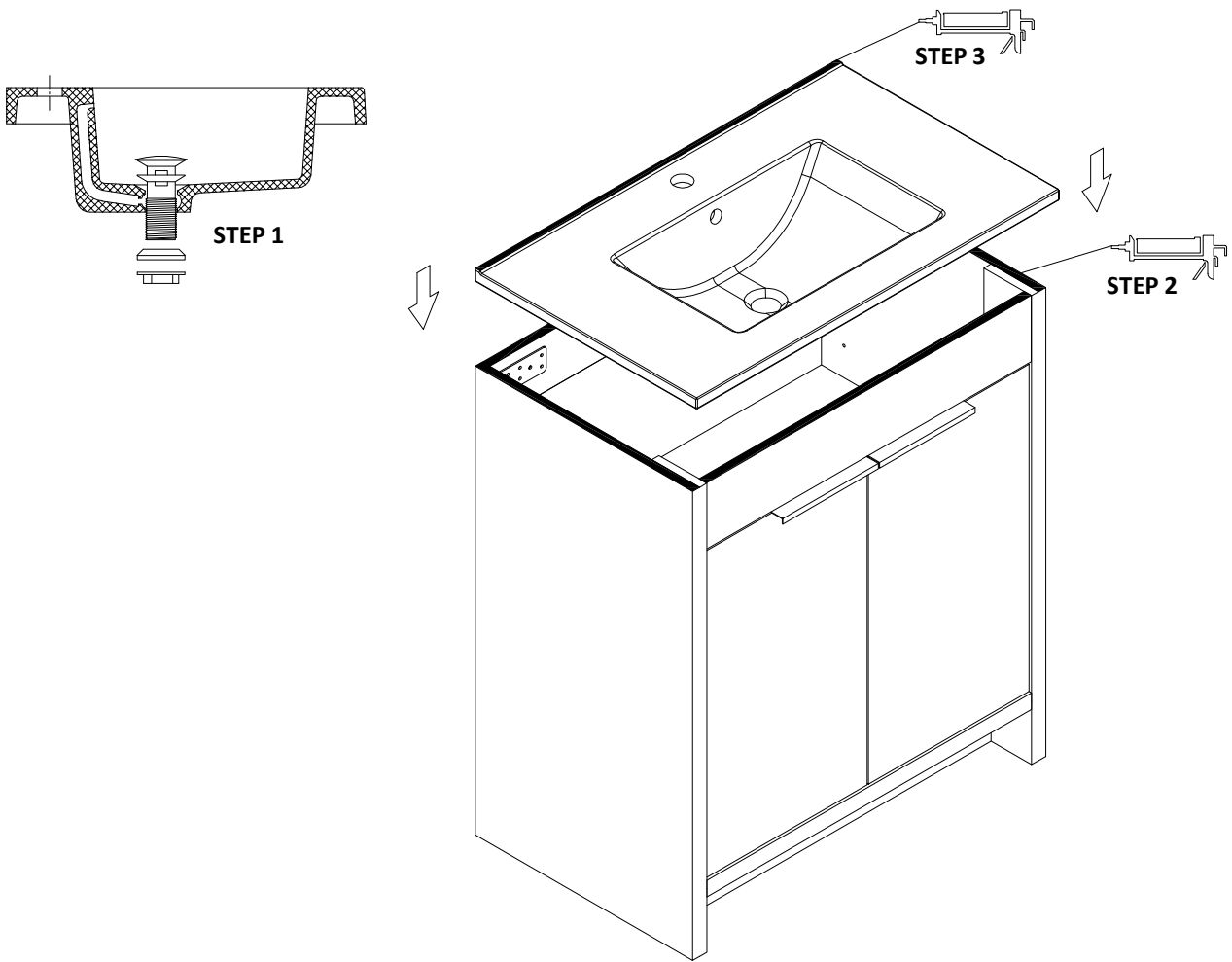
12



**WARNING:**  
INSTALLATION METHOD OF FLOATING VANITY HAS BIG RELATION WITH THE WALL STRUCTURE.

**To get the best installing effect, please follow as below:**  
Please screw through the "L" shape hanger if there is exactly wall stub behind the hanger.

13



## HINGE/DOOR ADJUSTMENT (IF APPLICABLE)

The door alignment was set in the factory, but it could have shifted during transit. If adjustment is needed, follow the instructions provided in chart below.

