

ASSEMBLY INSTRUCTION

1. - 1 PC.



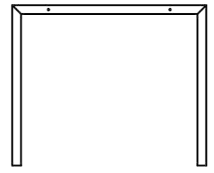
2. - 2 PCS.



3. - 4 PCS.



4. - 2 PCS.



A. M6 x 55 - 8 PCS.



B. M6 x 20 - 4 PCS.



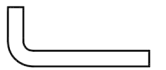
C. - 6PCS



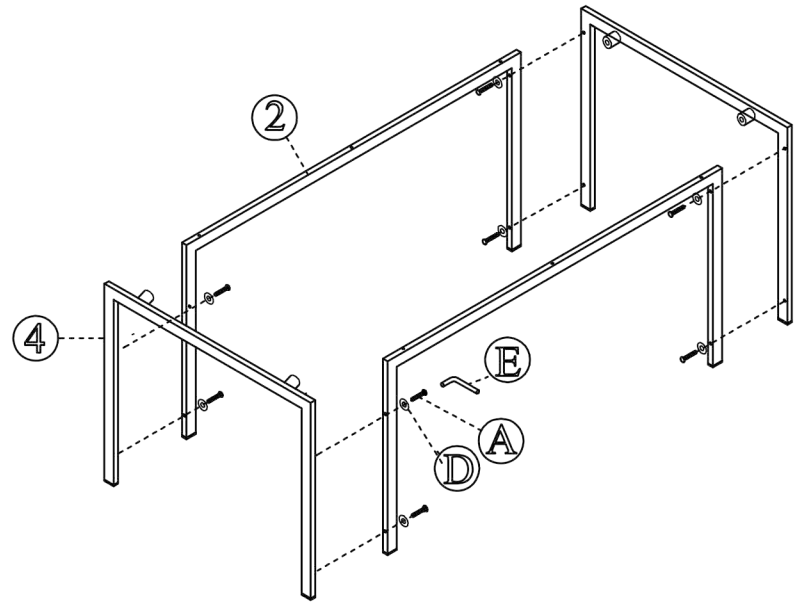
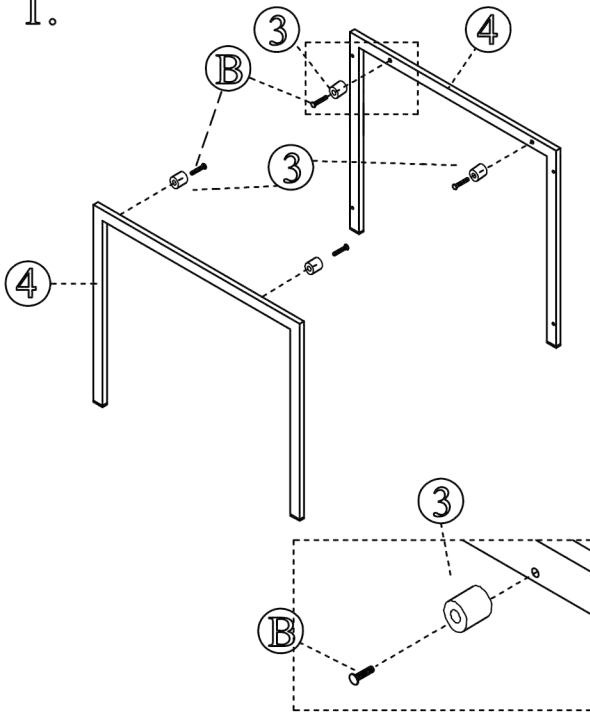
D. - 8 PCS



E. - 1 PC.



1.



2.

