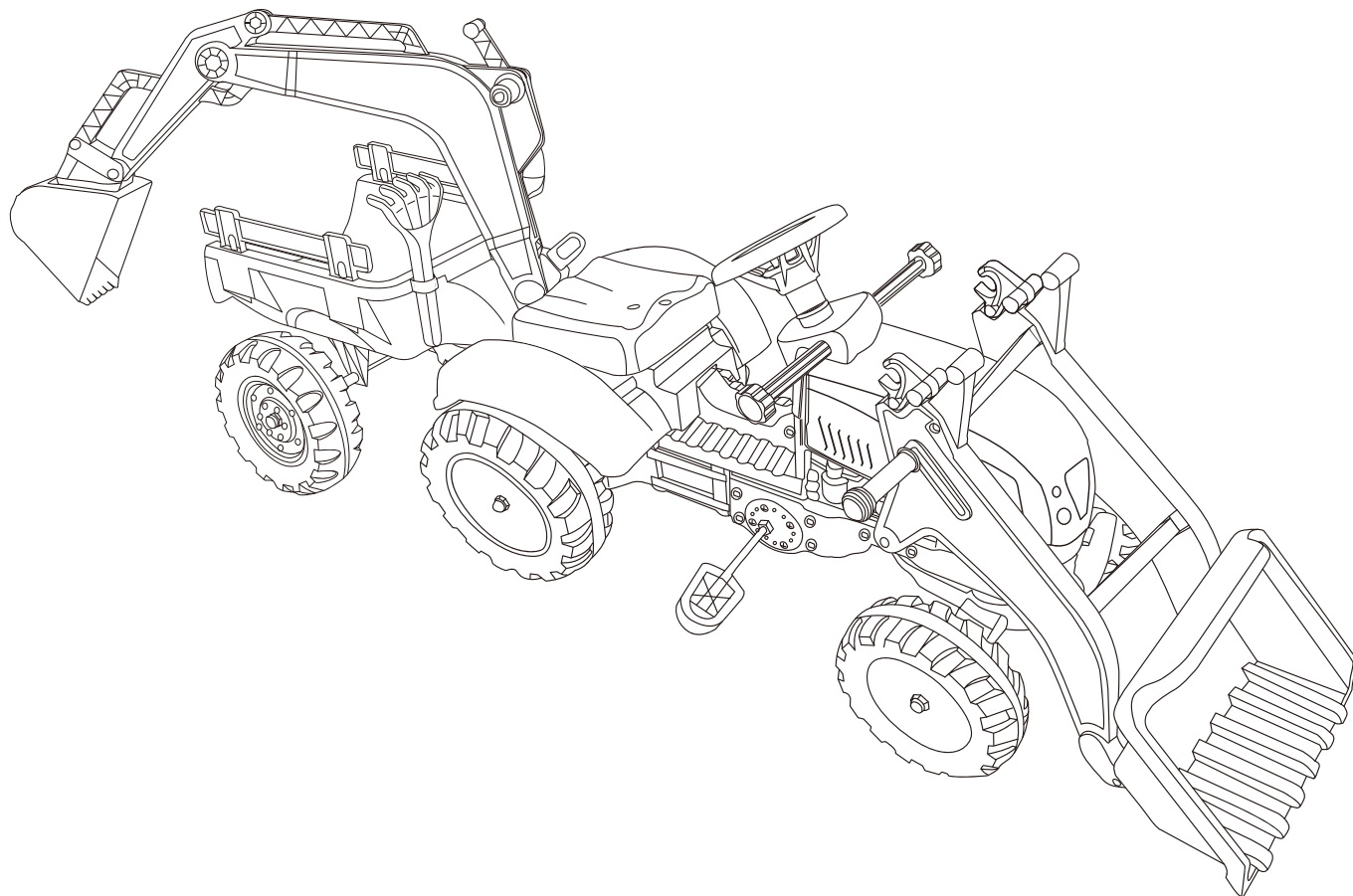


Aosom

US C00000

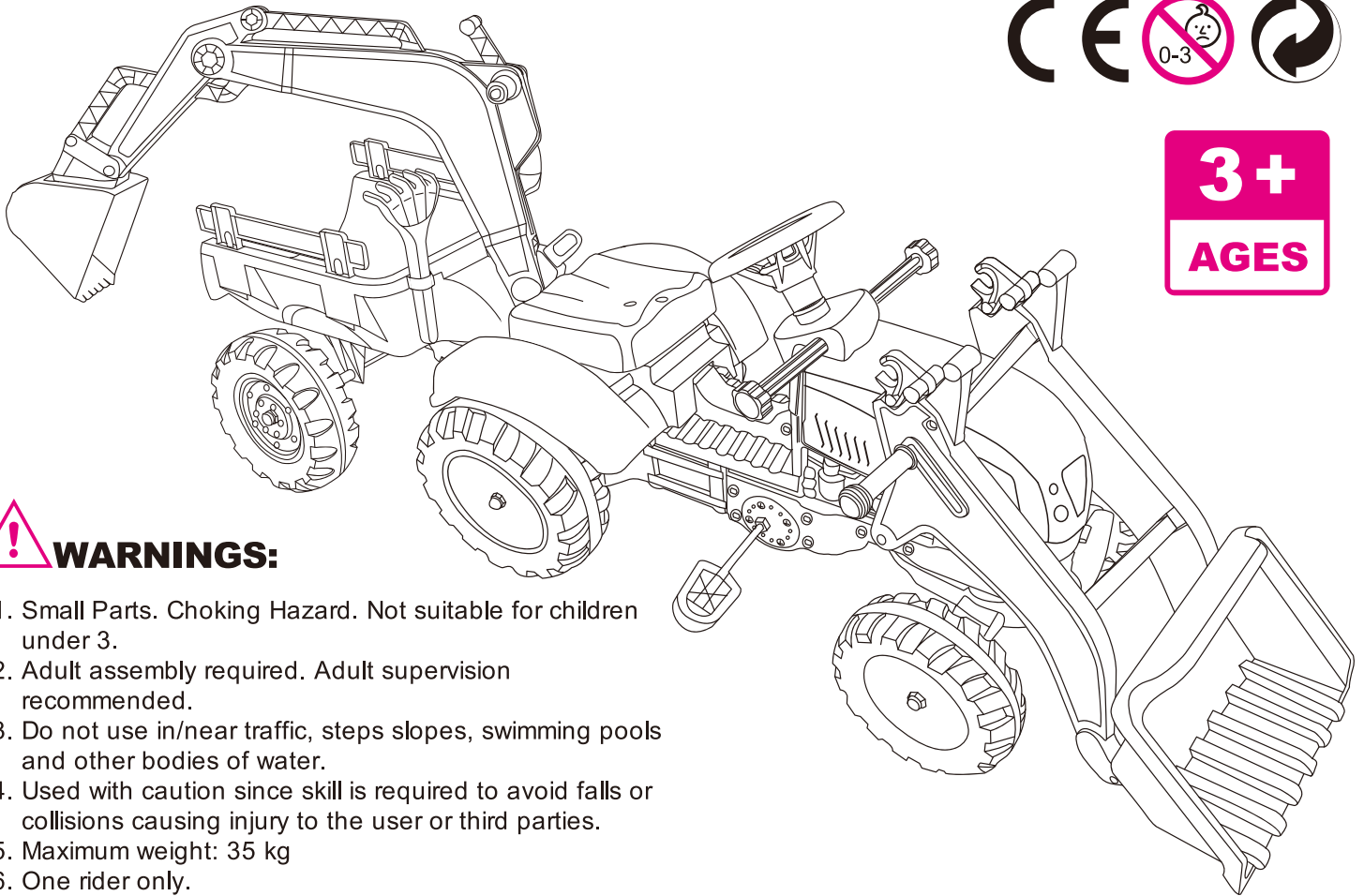
341-033



ASSEMBLY INSTRUCTION

ASSEMBLY DIAGRAM

TRACTOR

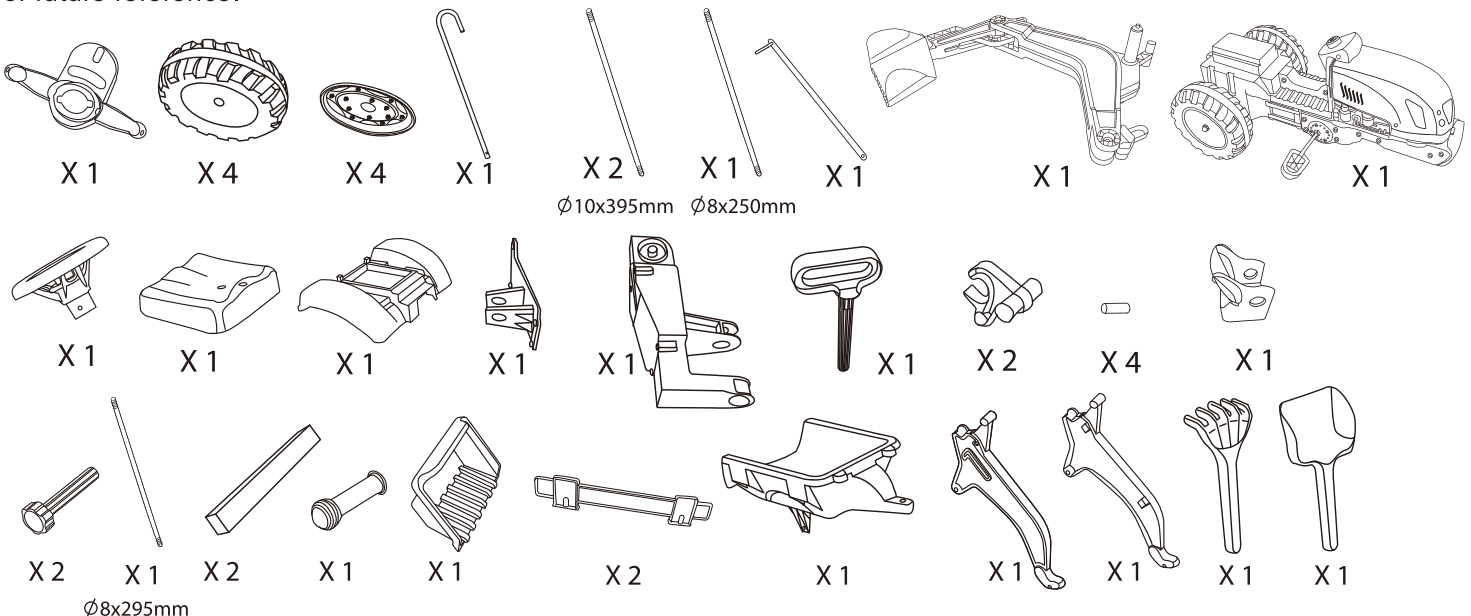


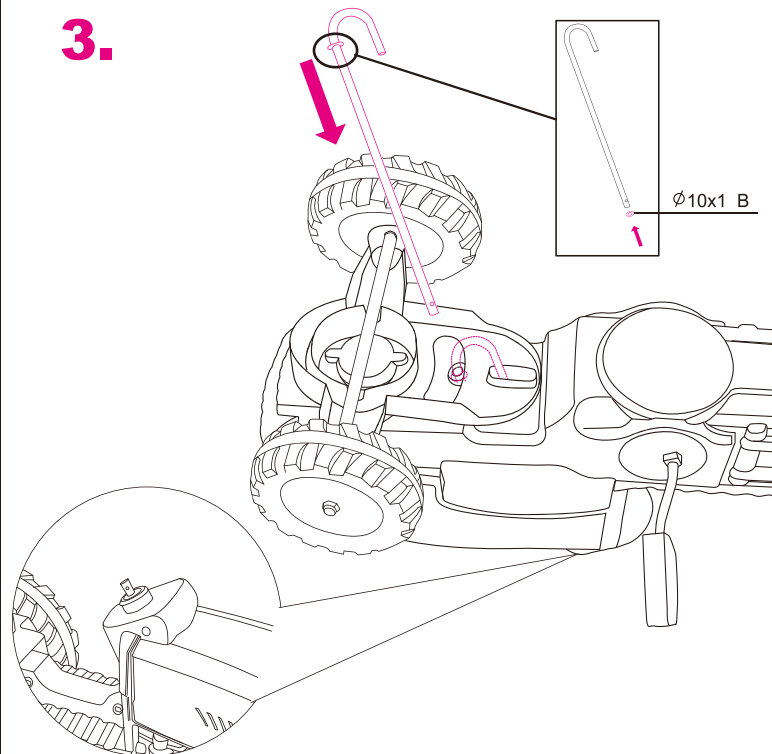
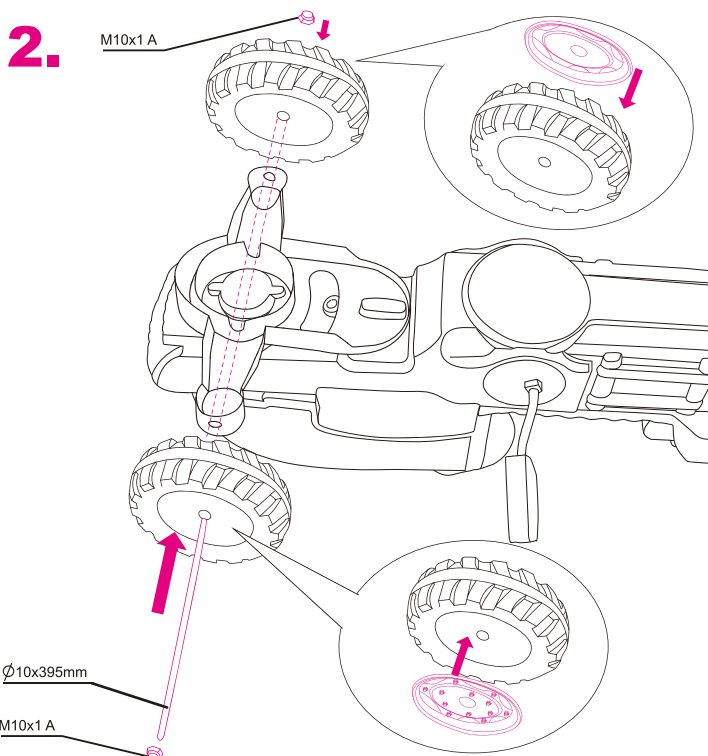
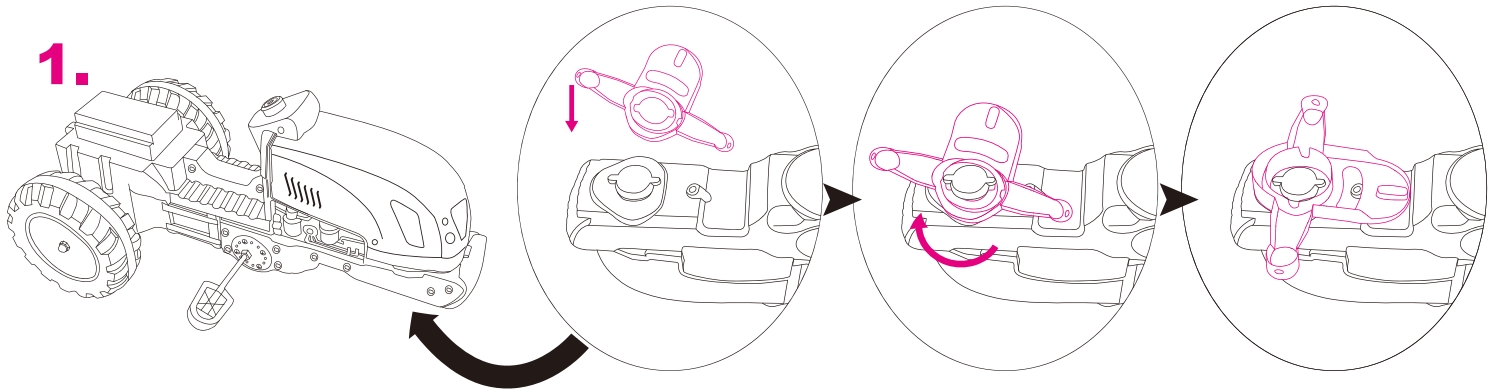
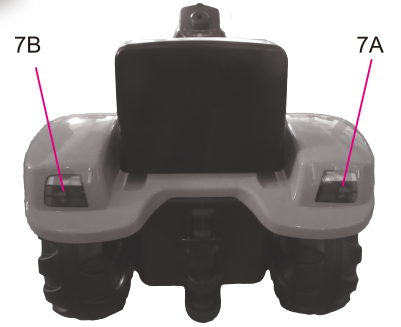
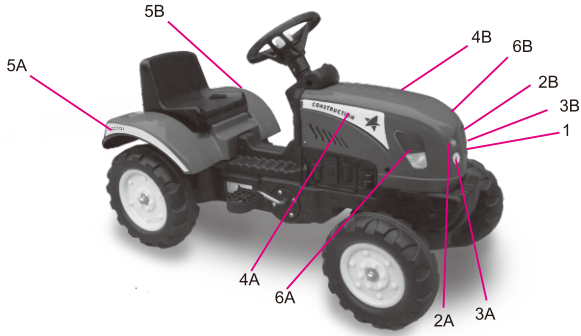
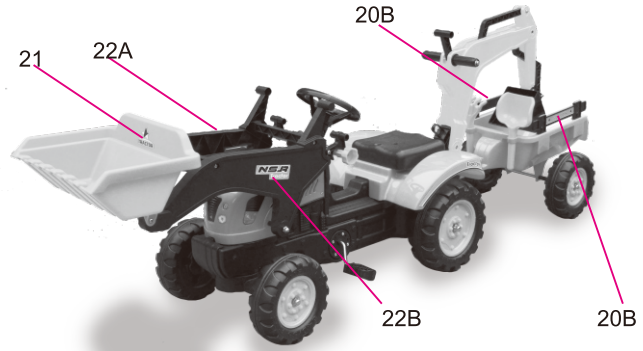
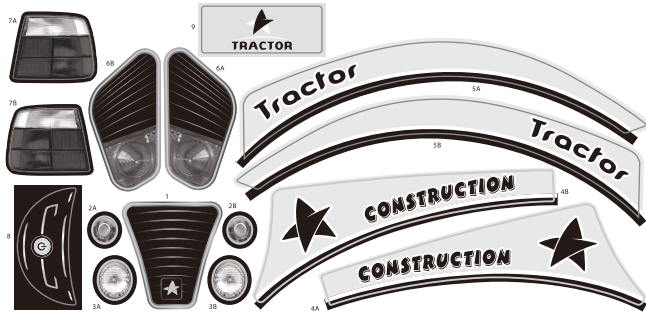
3+
AGES

⚠️ WARNINGS:

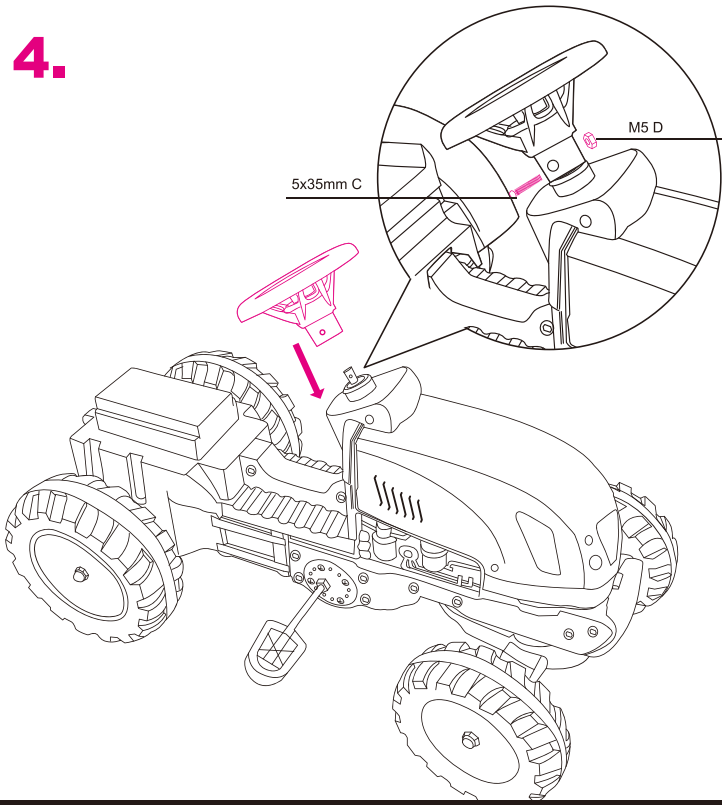
1. Small Parts. Choking Hazard. Not suitable for children under 3.
2. Adult assembly required. Adult supervision recommended.
3. Do not use in/near traffic, steps slopes, swimming pools and other bodies of water.
4. Used with caution since skill is required to avoid falls or collisions causing injury to the user or third parties.
5. Maximum weight: 35 kg
6. One rider only.
7. Always wear shoes and suitable protective equipment. Wearing a helmet when riding is recommended.
8. Before assembly, read this instruction booklet. Refer to the parts list to ensure that all parts have been
9. included.
Before use, inspect the kart. Tighten any screws or bolts that could have become loose. Do not over tighten.
10. Use a damp cloth to clean. Do not leave outdoors in poor weather conditions.
11. Keep all instructions and parts relating to this product for future reference.

A	M10x4	B	Ø10x1	C	5x35mmx1	K	4x16mmx4
D	M5x1	E	5x16mmx6	F	6x25mmx3	L	8x60mmx1
G	5x25mmx4	H	M6x5	I	6x40mmx2	M	M8x1
Tool not included				J	M8x2		

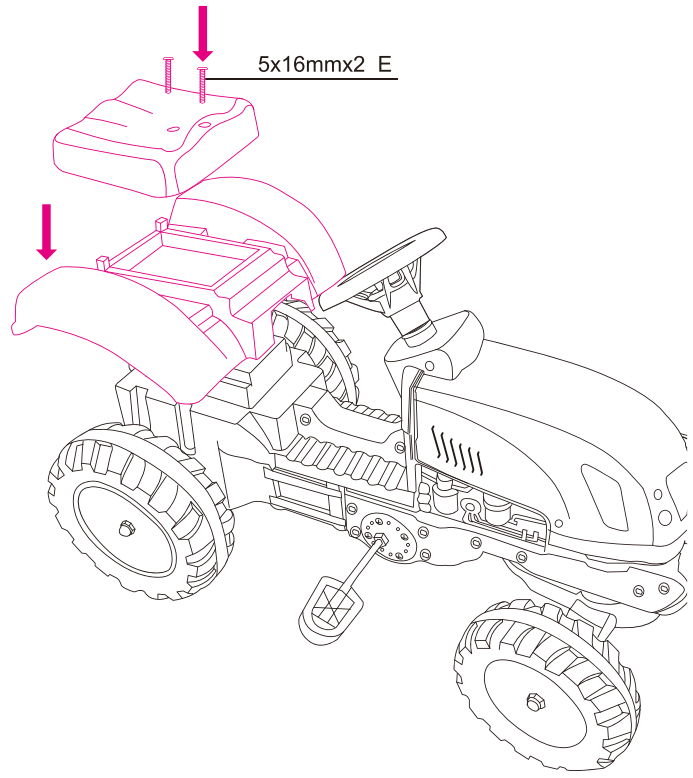




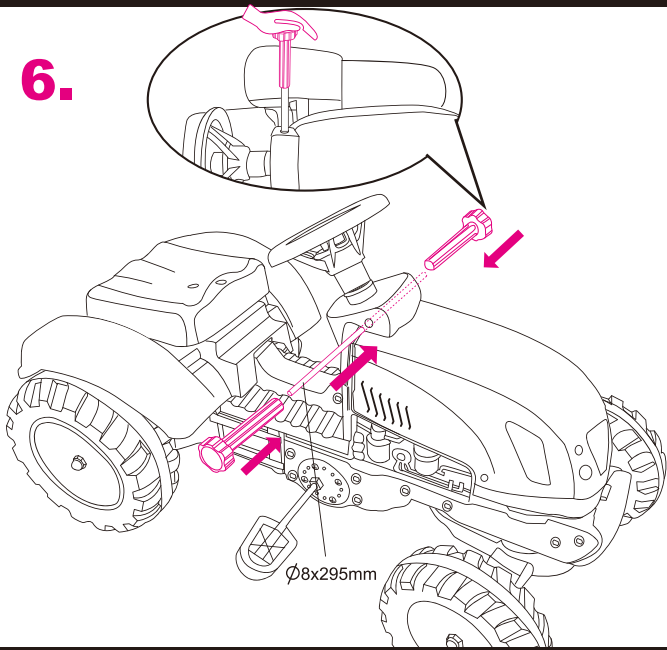
4.



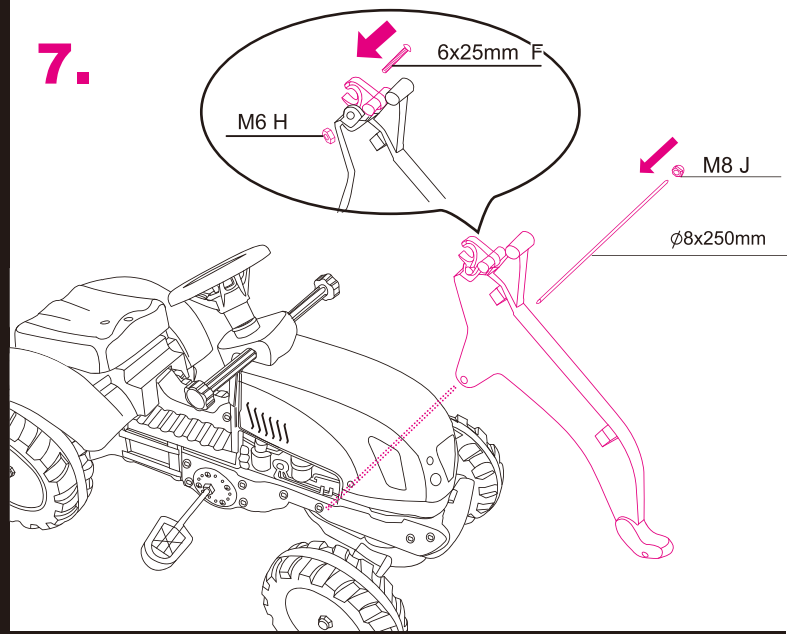
5.



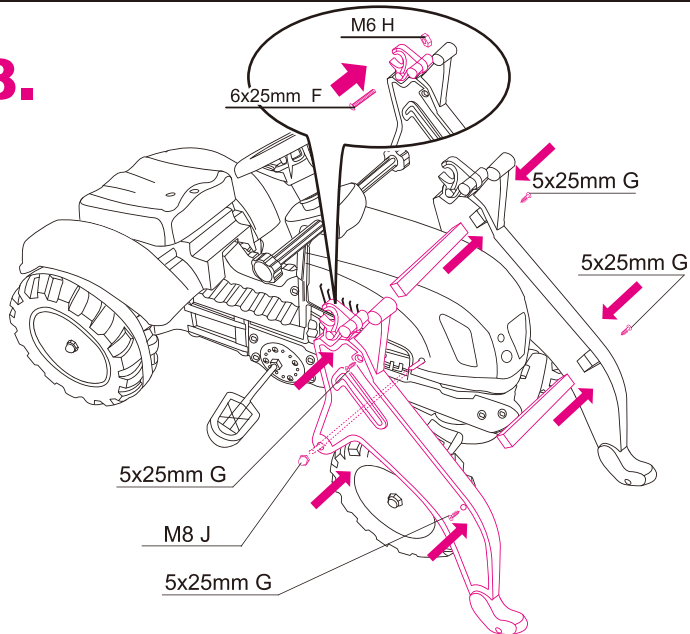
6.



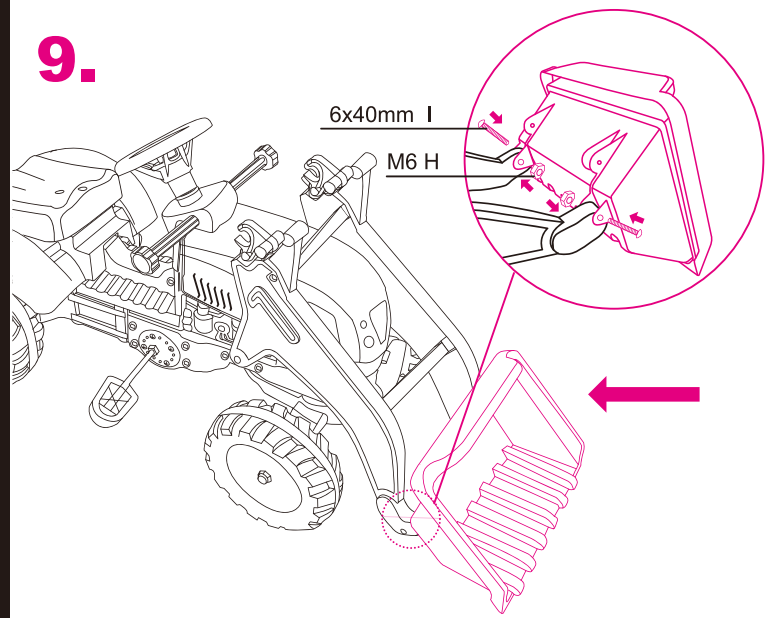
7.



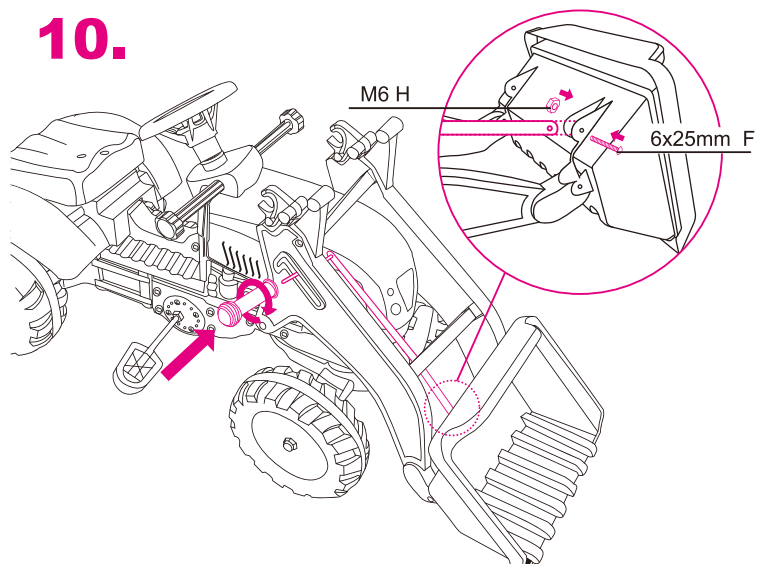
8.



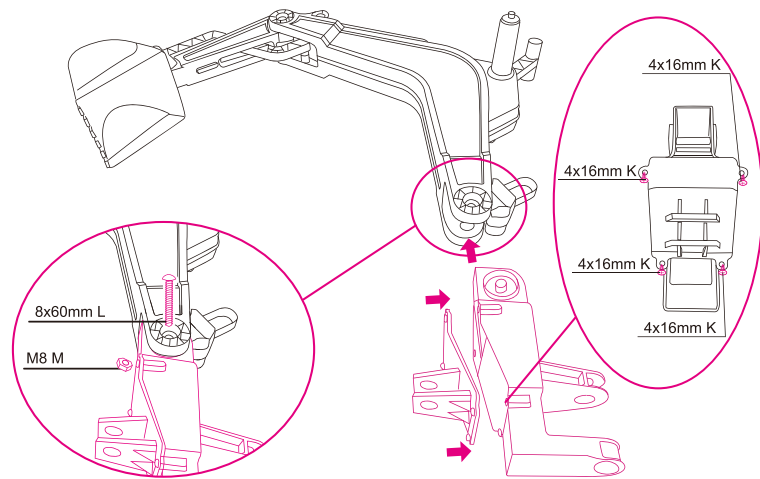
9.



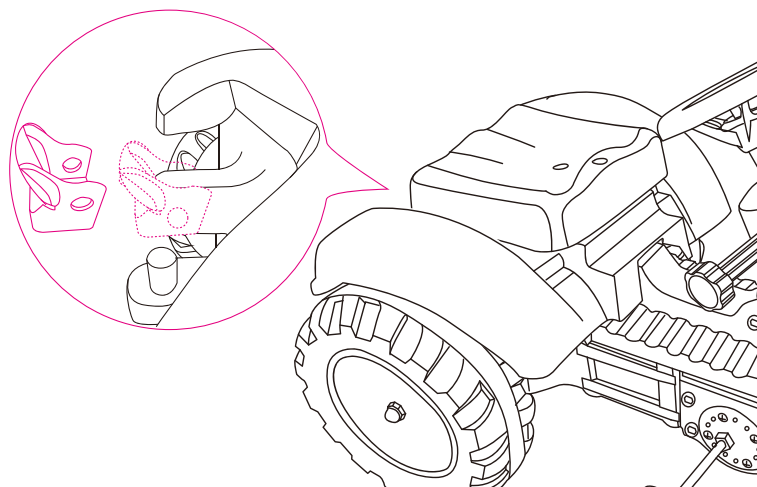
10.



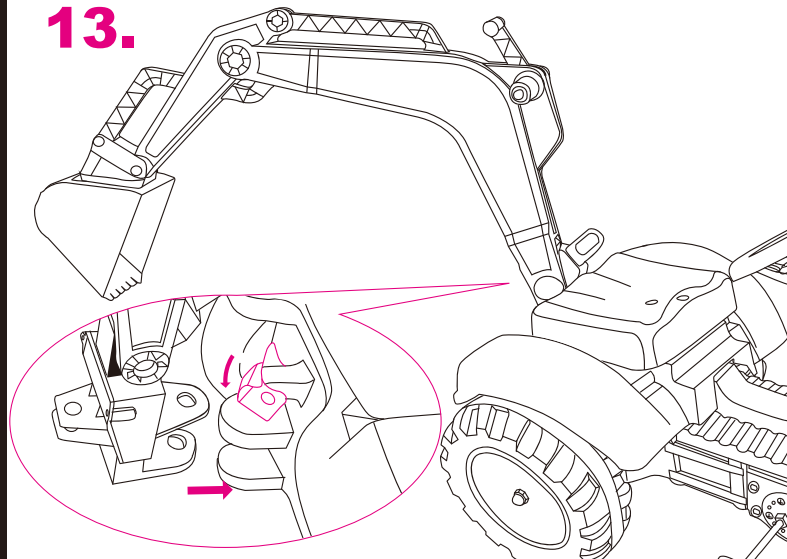
11.



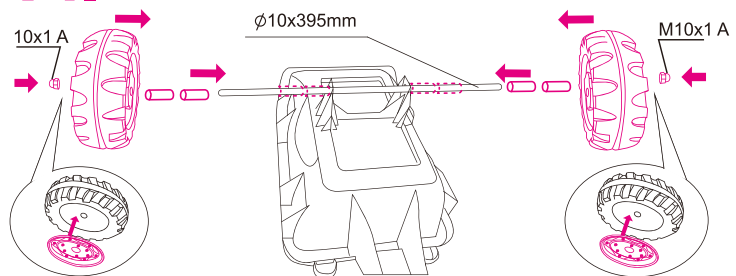
12.



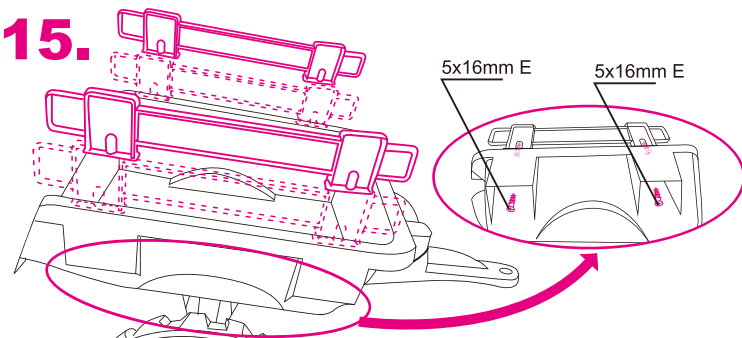
13.



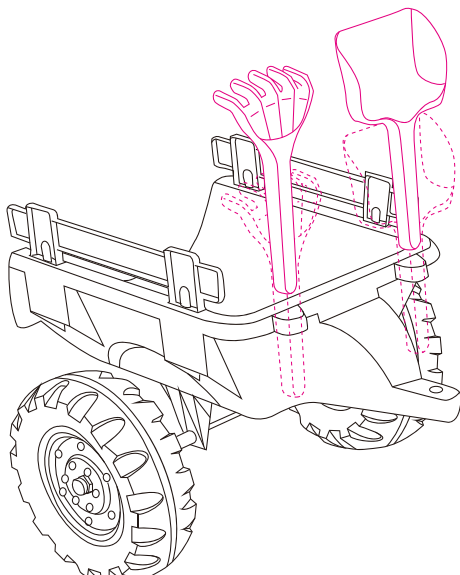
14.



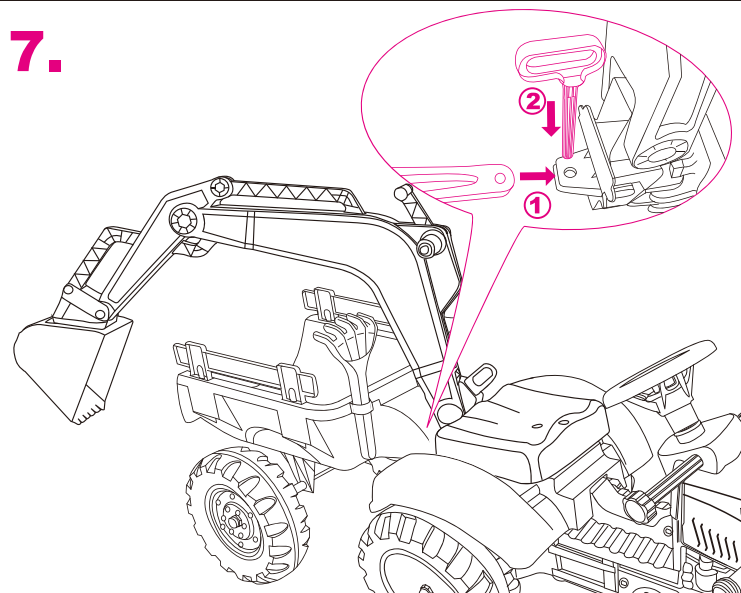
15.



16.



17.



US



001-877-644-9366
customerservice@aosom.com

CA



001-855-537-6088
customerservice@aosom.ca

UK



0044-800-240-4004
enquiries@mhstar.co.uk

DE



0049-(0)40-88307530
service@aosom.de

FR



0033-1-84166106
contact@aosom.fr

ES



0034-931294512
atencioncliente@aosom.es

IT



0039-0249471447
clienti@aosom.it