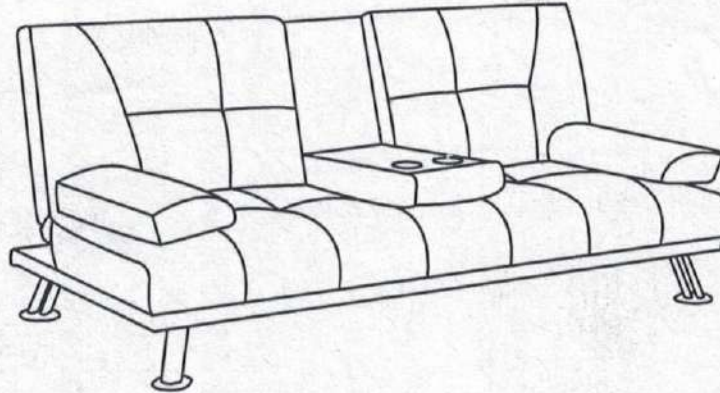
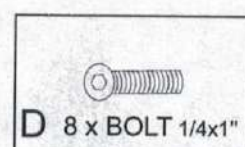
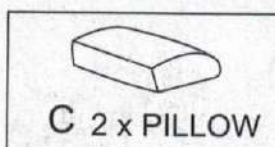
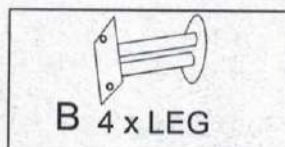
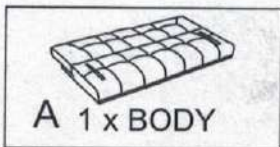


ASSEMBLY INSTRUCTION



SOFA BED

PARTS LIST



WARNING

1. Do not step on top of the product.
2. When opening, use caution when using a sharp object to ensure the product does not get punctured or cut when opening the packaging.
3. Dispose of all packaging material and keep out or reach and away from children.
4. If be contaminated with liquid, please use towel to clean in time so as not to break the fabric.
5. Use in room normal room temperature and humidity and keep ventilation.
6. When the back is upright and flat, it is forbidden to operate the children under 15 years of age, and it is strictly prohibited to extend the hand to the gap between the back and the seat.

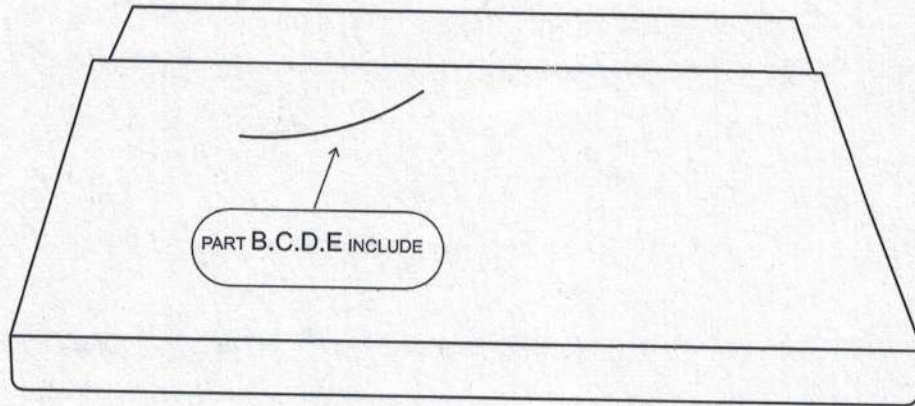
ASSEMBLY INSTRUCTION



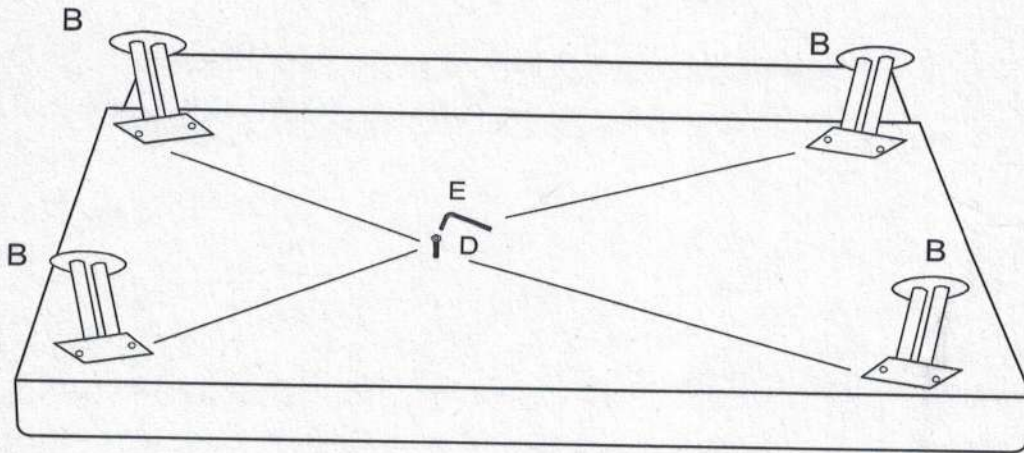
ASSEMBLY TIME PER UNIT: 10 MINUTES

MAX WEIGHT: 200 KGS

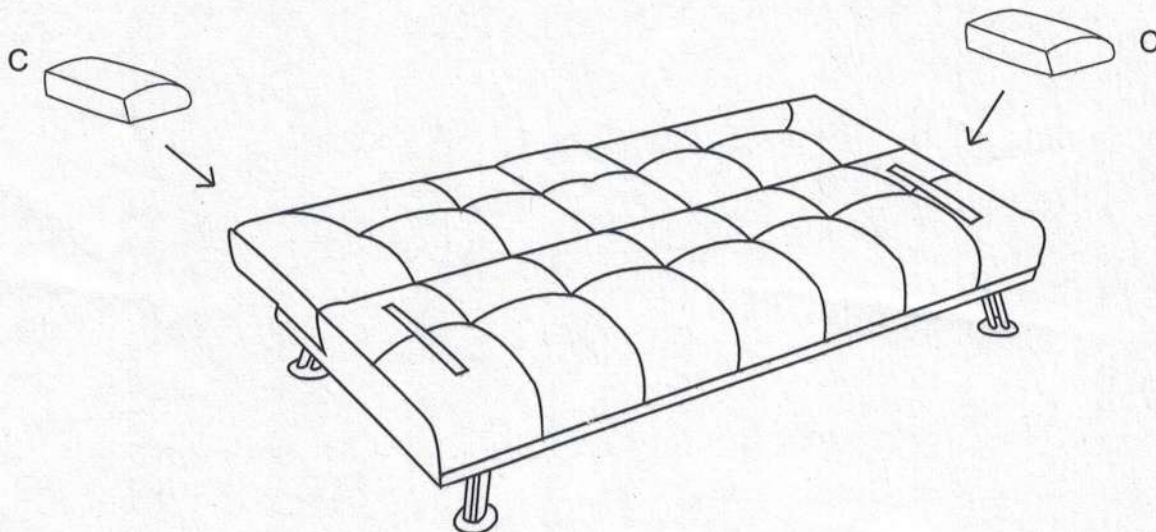
Step 1



Step 2

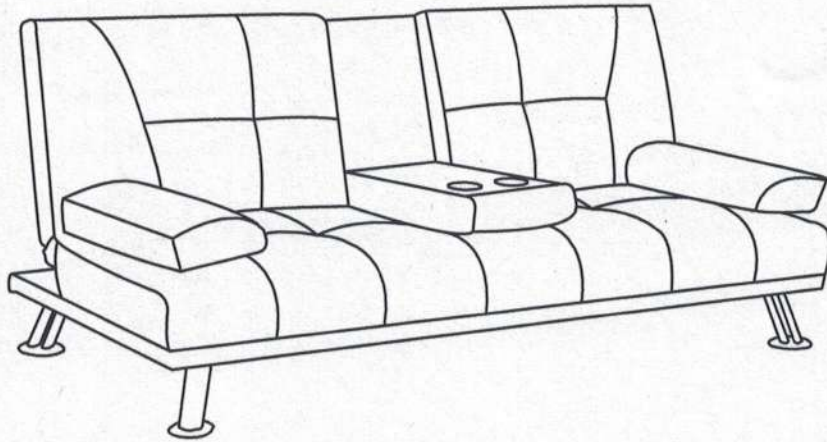


Step 3

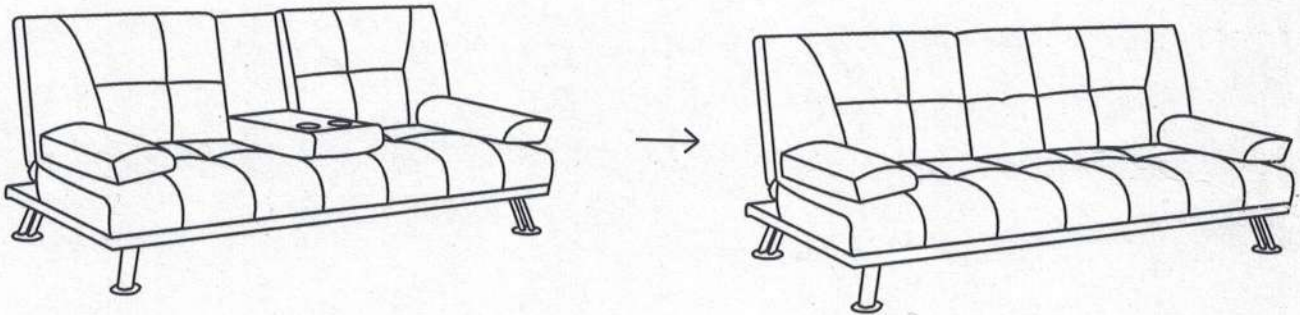


ASSEMBLY INSTRUCTION

Step 4

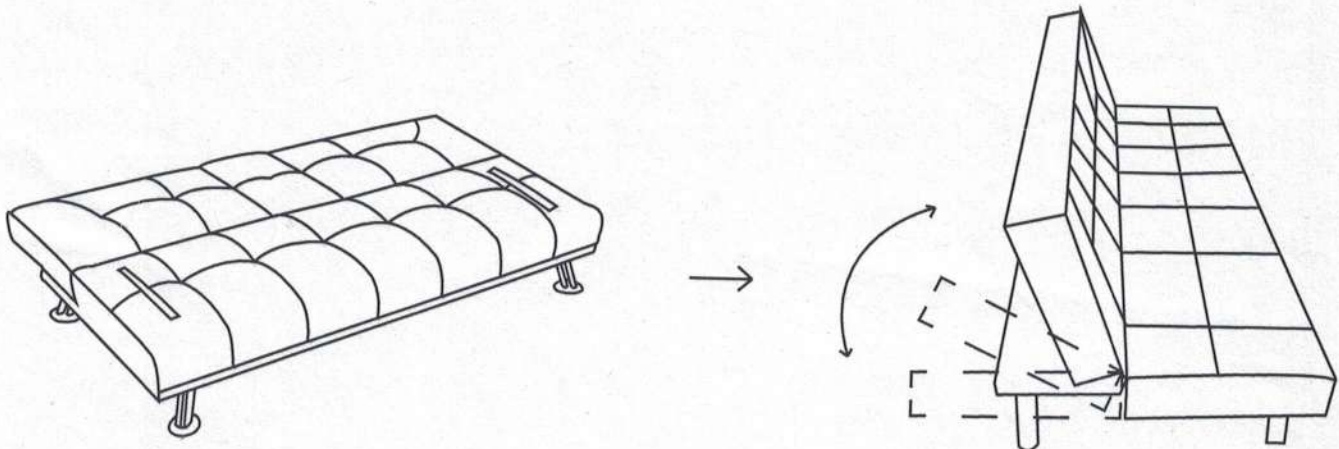


Step 5



The tea table is movable

Step 6



A total of 3 files can be adjusted