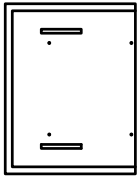


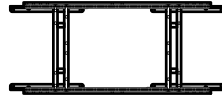
# J16 ASSEMBLY INSTRUCTION



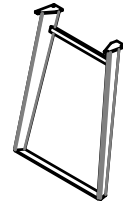
A × 2pcs



B × 1pc

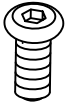


C × 1pc



D × 2pcs

+Spare×2



E × 10pcs  
M8\*16mm



+Spare×2

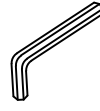


F × 10pcs  
M8\*16mm

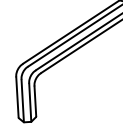
+Spare×2



G × 10pcs  
ø8/ø16×2mm

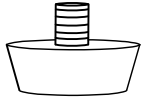


H × 1pc  
#5



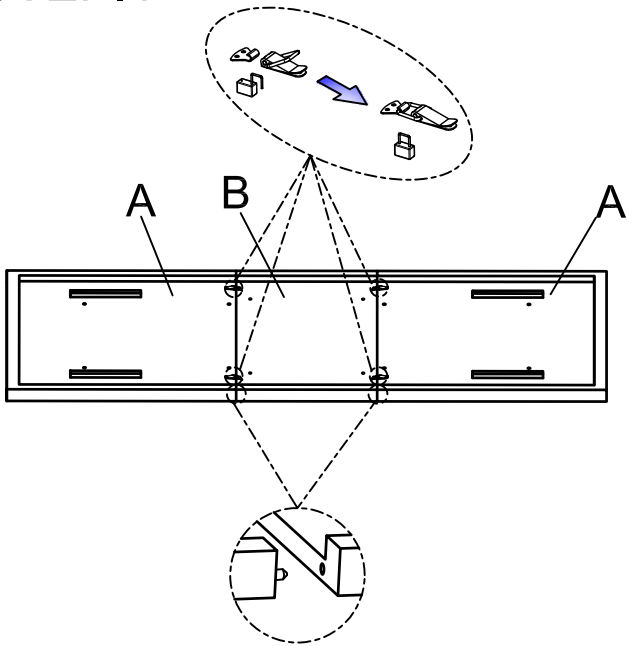
I × 1pc  
#6

+Spare×1

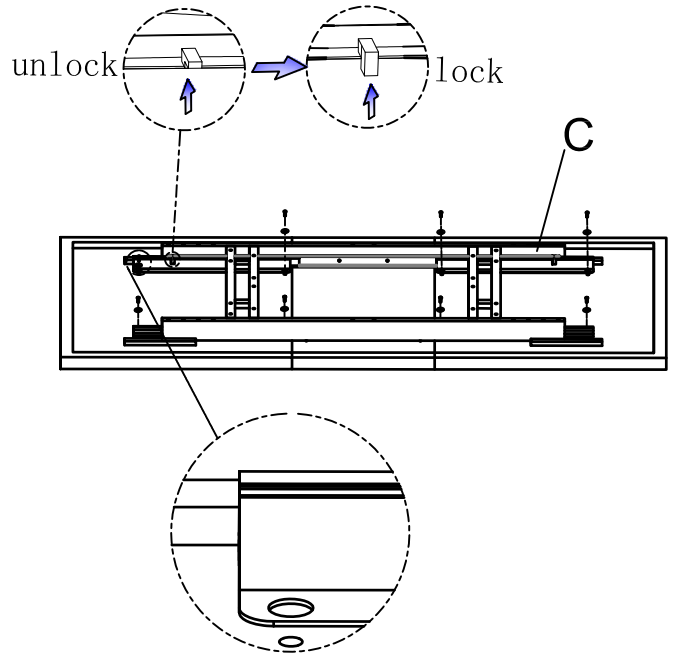


J × 1pc

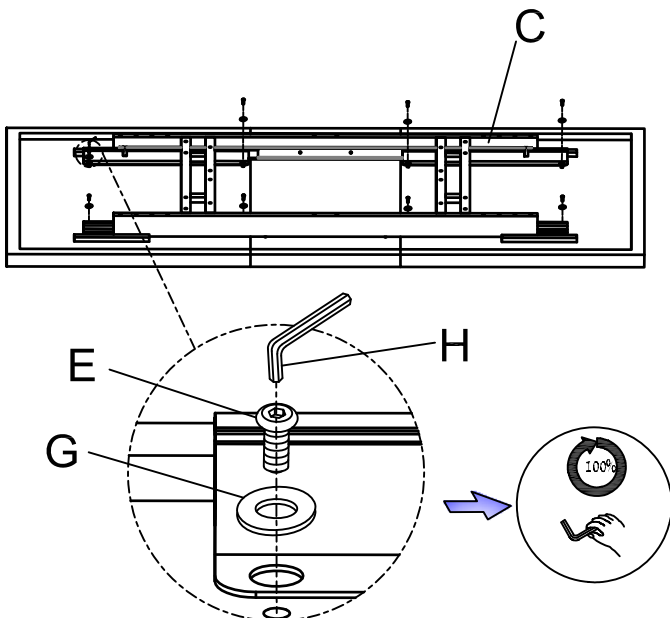
## STEP:1



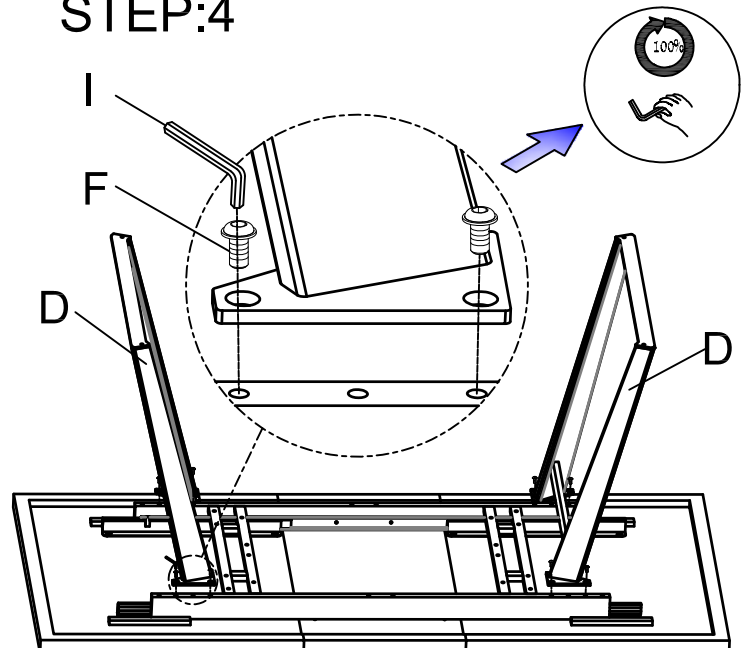
## STEP:2



## STEP:3

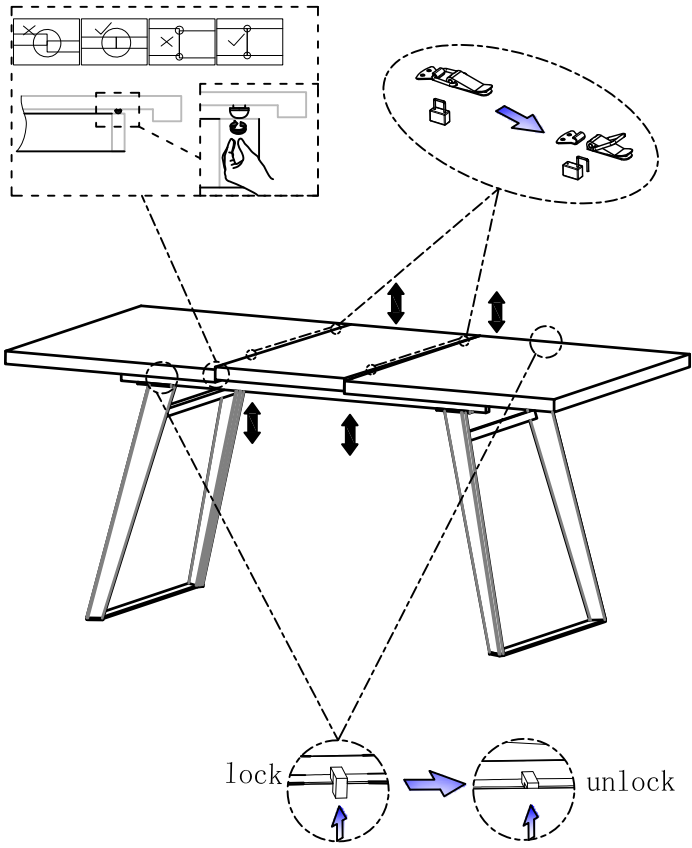


## STEP:4

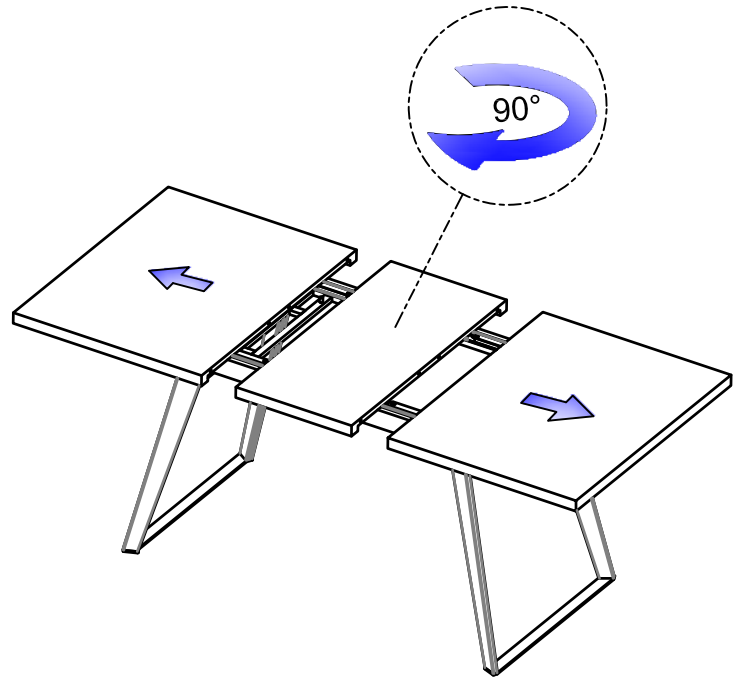


# J16 ASSEMBLY INSTRUCTION

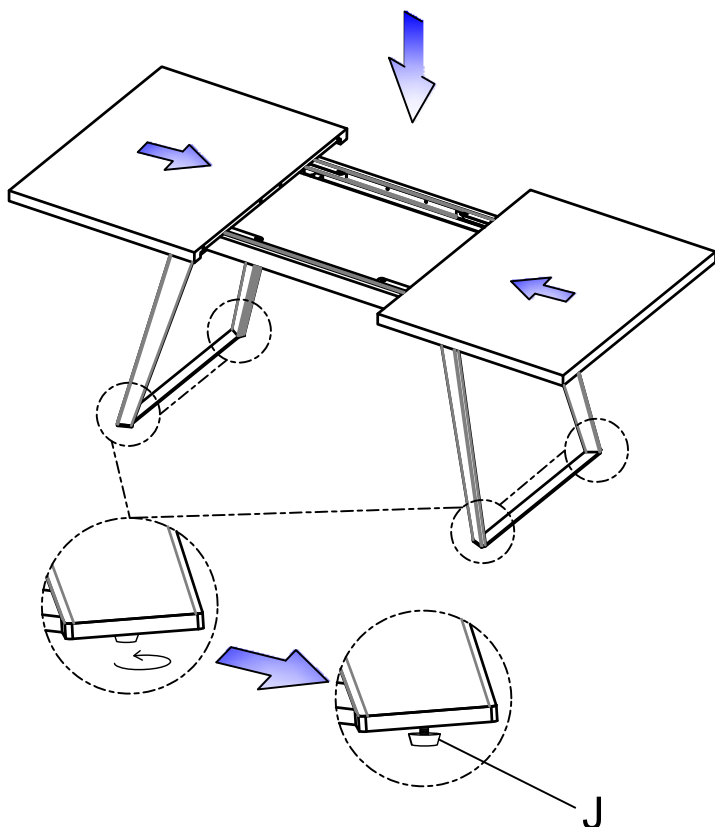
## STEP:5



## STEP:6



## STEP:7



## STEP:8

