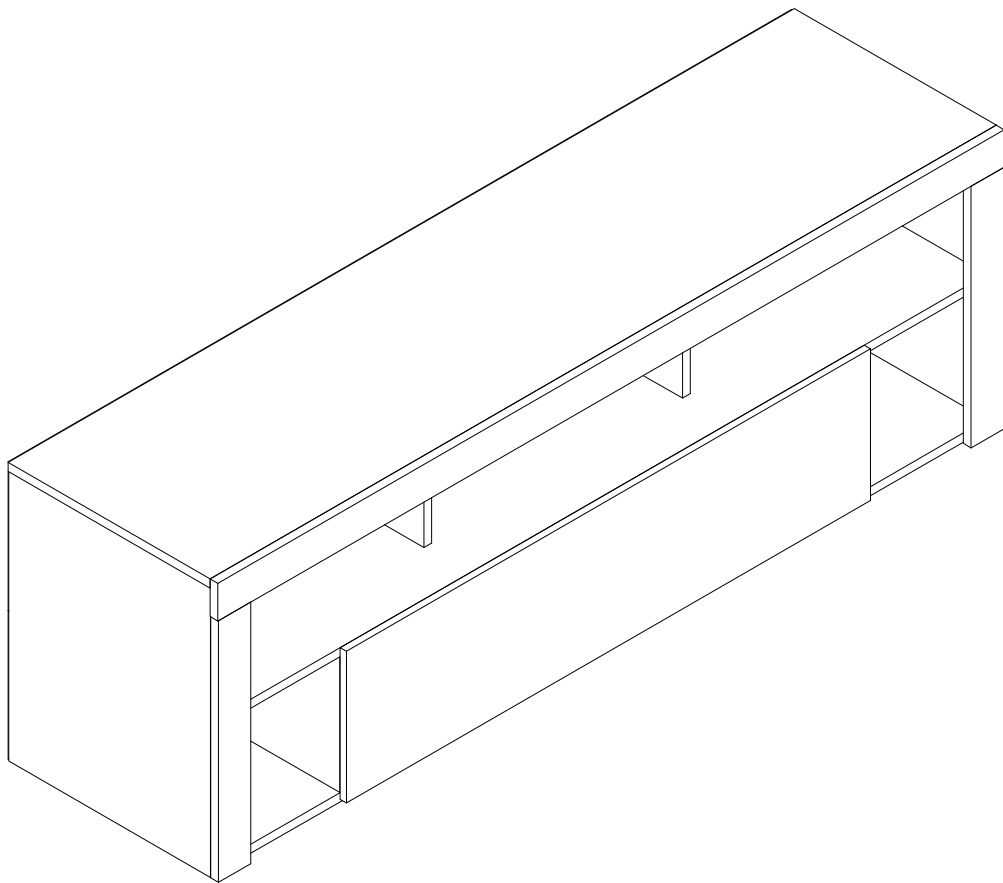
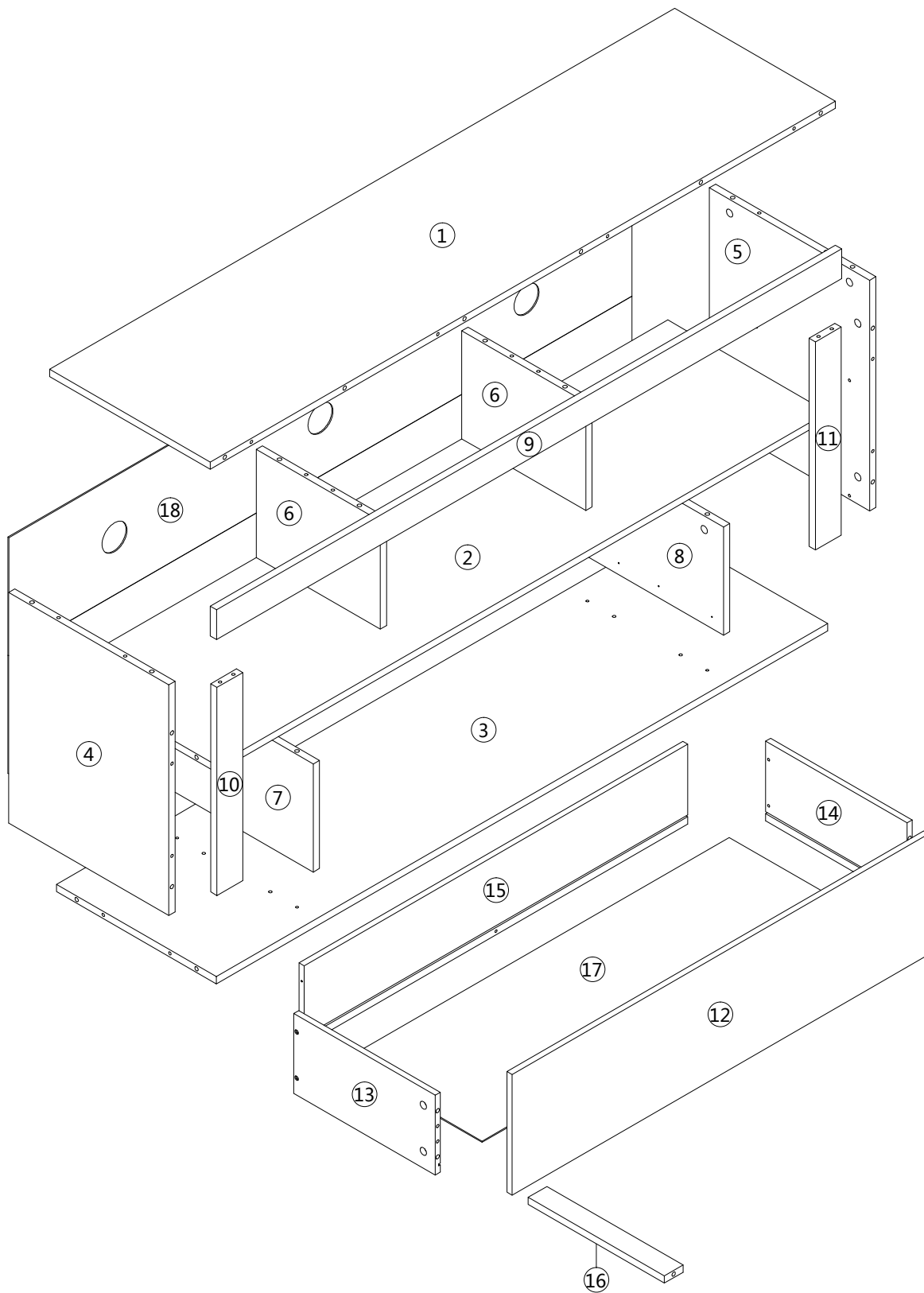


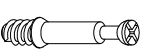

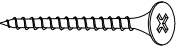


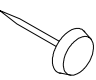


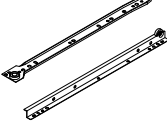
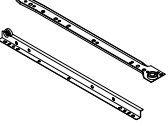
ASSEMBLY INSTRUCTIONS INSTRUCTIONS D'ASSEMBLAGE



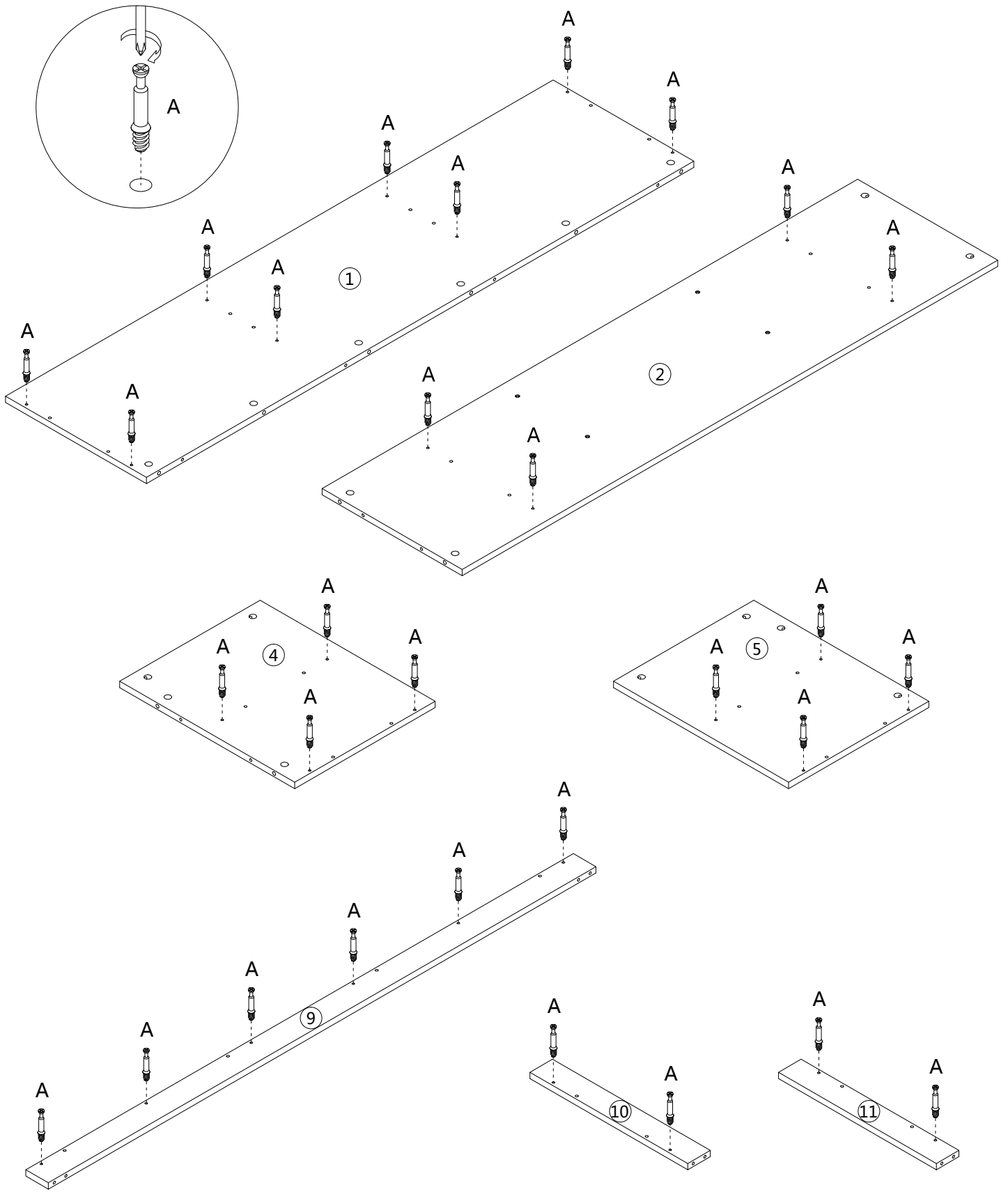
ENTERTAINMENT CENTER/TV STAND -59"L DARK TAUPE/1 BIG DRAWER 5 SHELVES

CENTRE DE DIVERTISSEMENT/MEUBLE DE TÉLÉVISION- 59" DARK TAUPE/1 TIRROIR 5 ÉTAGÈRES

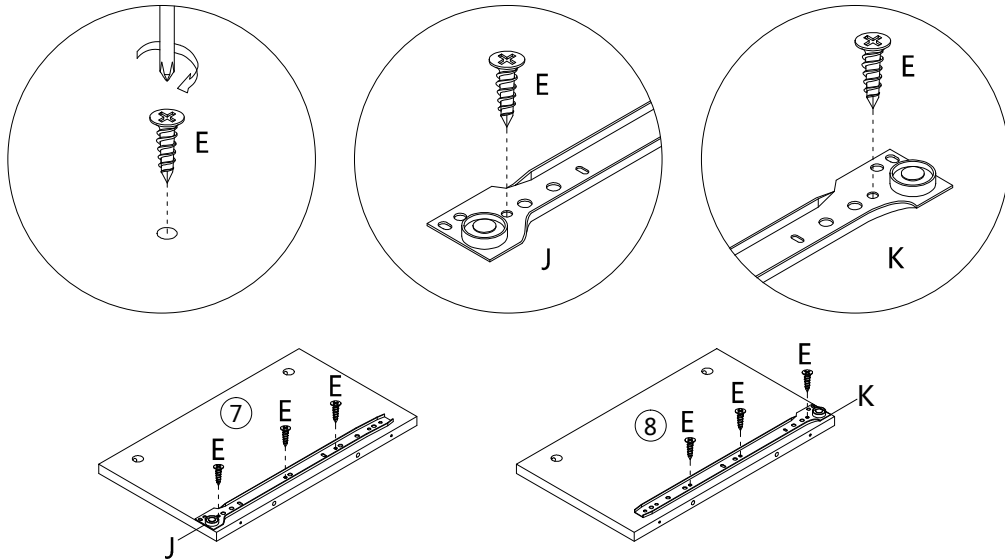


| | | | | | | |
|---|---|---|---|--|---|---|
|  |  |  |  |  |  |  |
| | Ø15x9mm | 4x40mm | 6x30mm | 3x12mm | | Ø20mm |
| A 35PCS | B 35PCS | C 13PCS | D 44PCS | E 12PCS | F 6PCS | G 12PCS |
|  |  |  | | | | |
| H 33PCS | J 1PC | K 1PC | | | | |

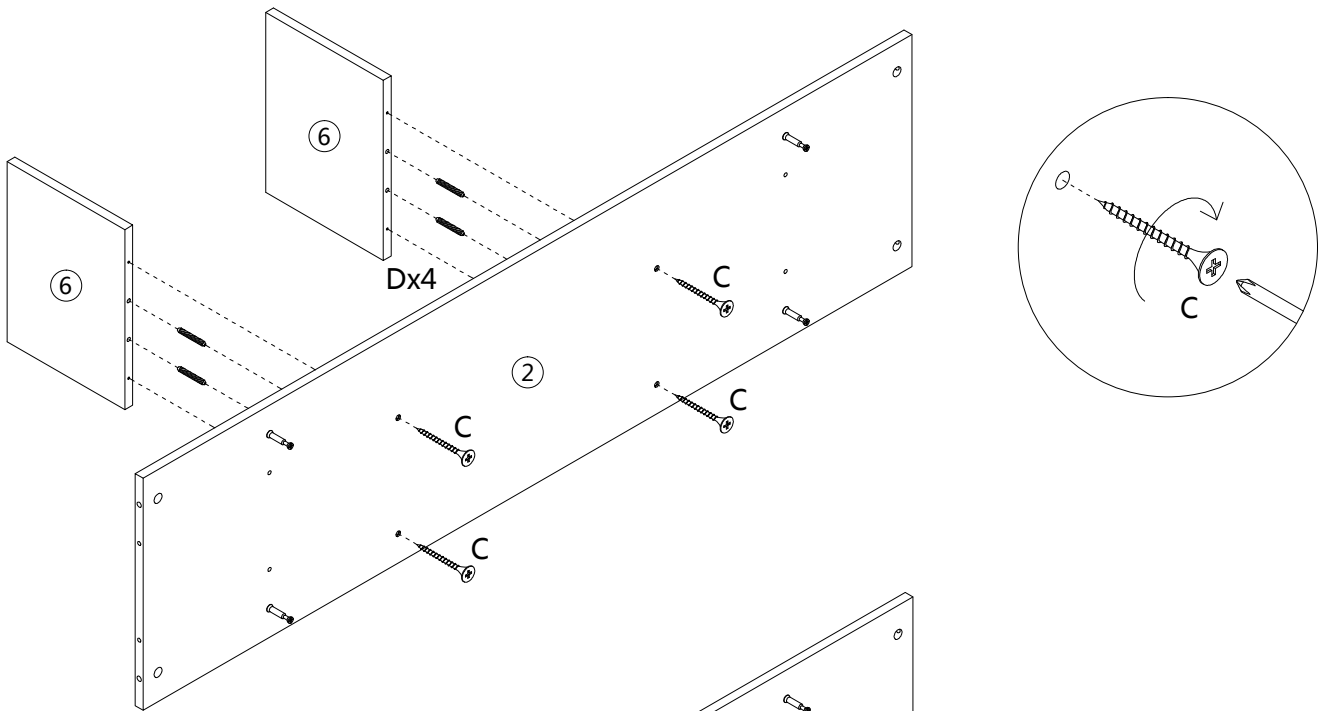
step 1



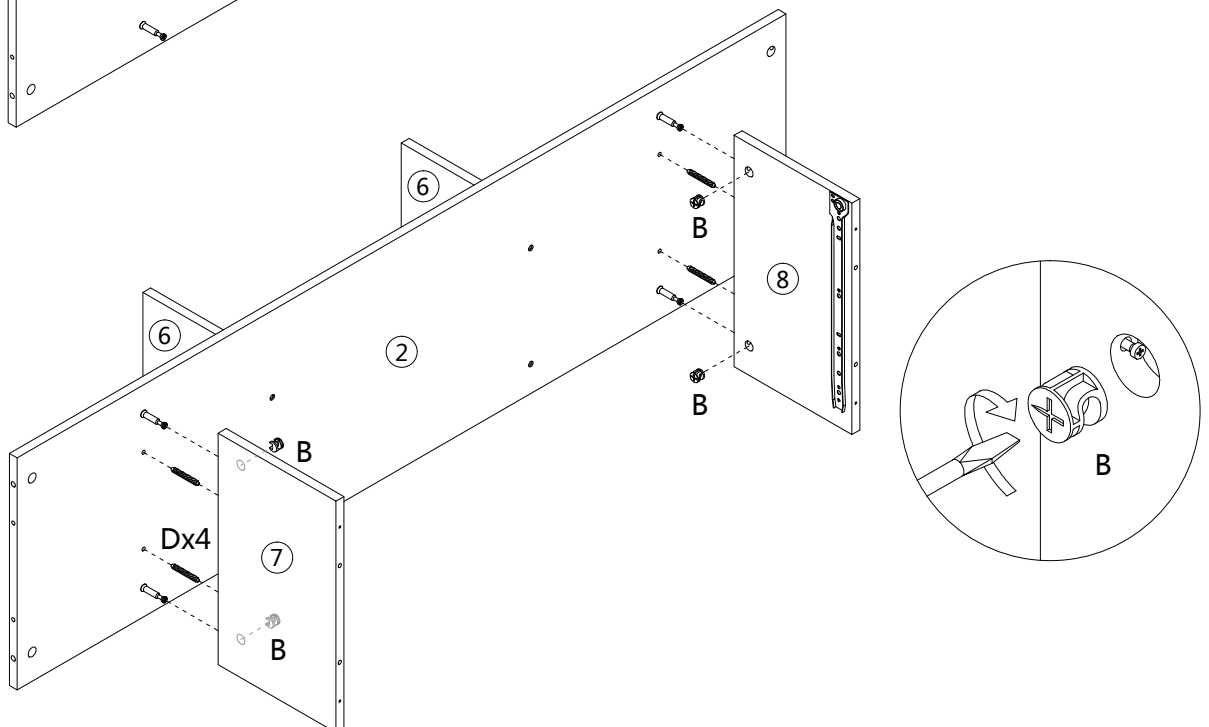
step 2



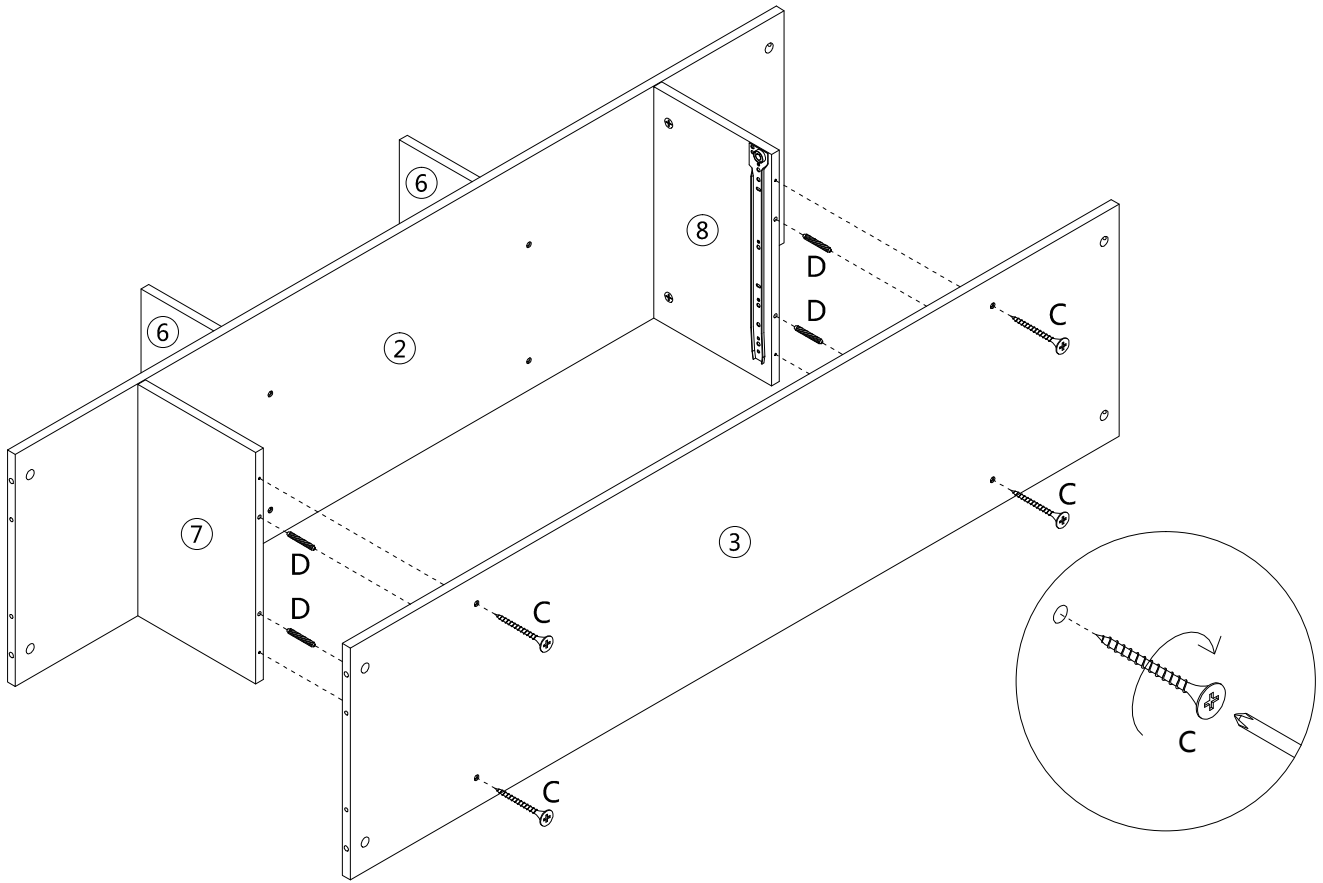
step 3



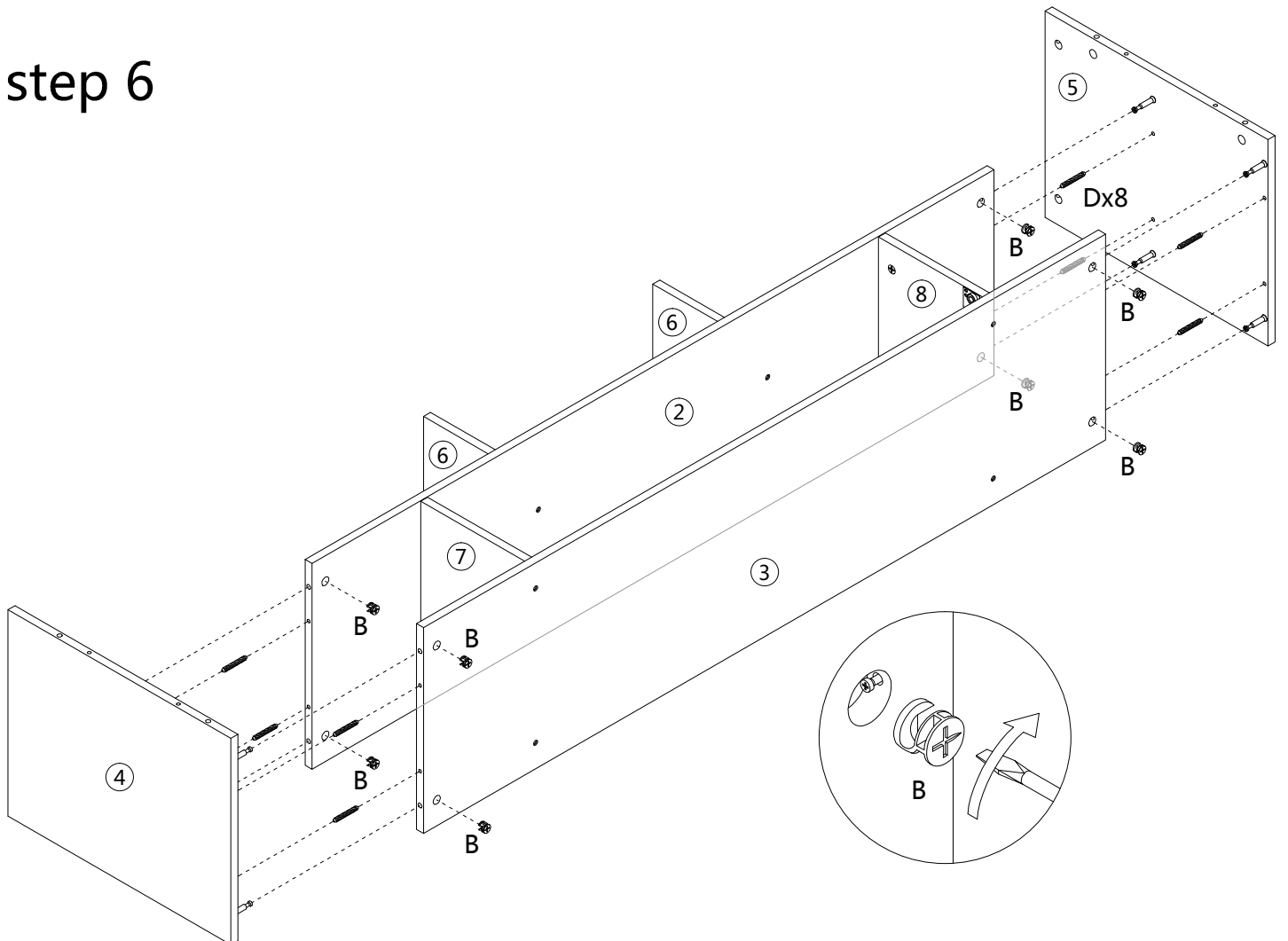
step 4



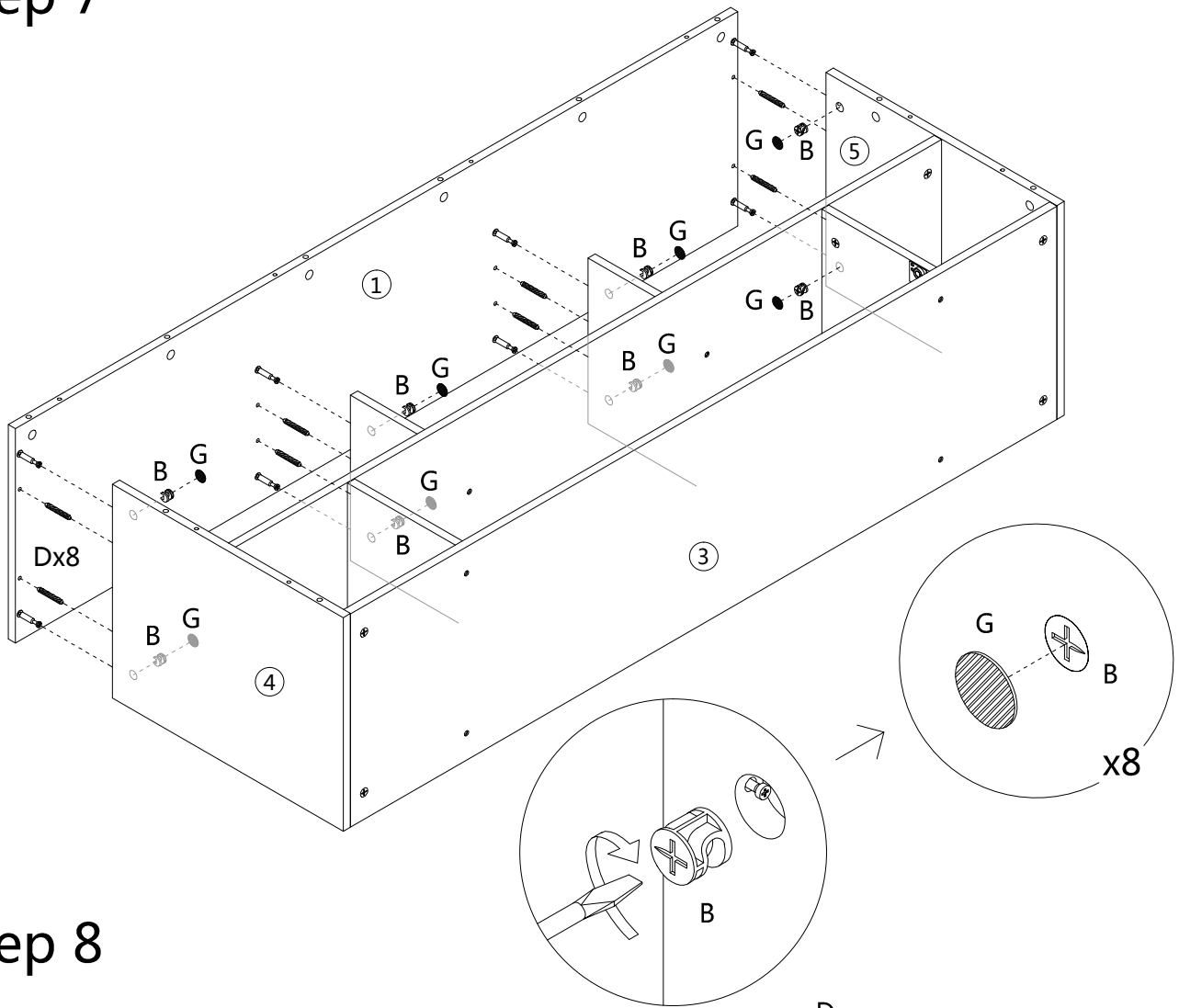
step 5



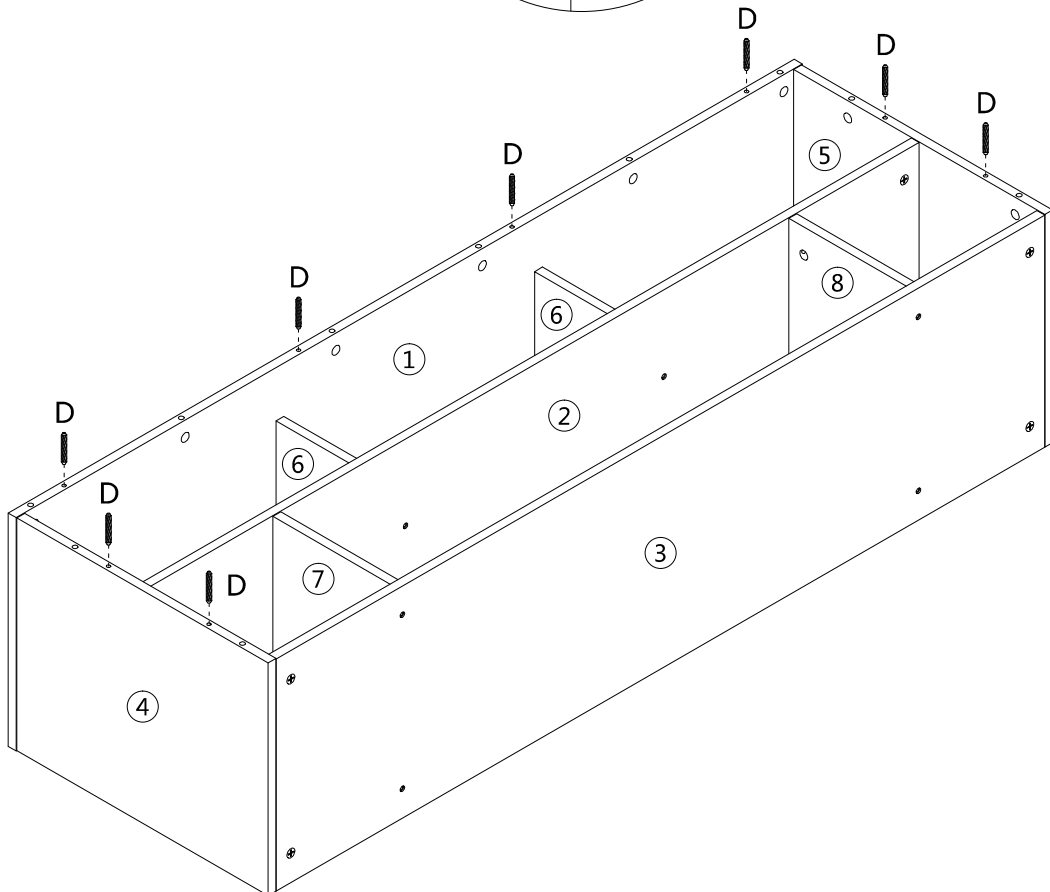
step 6



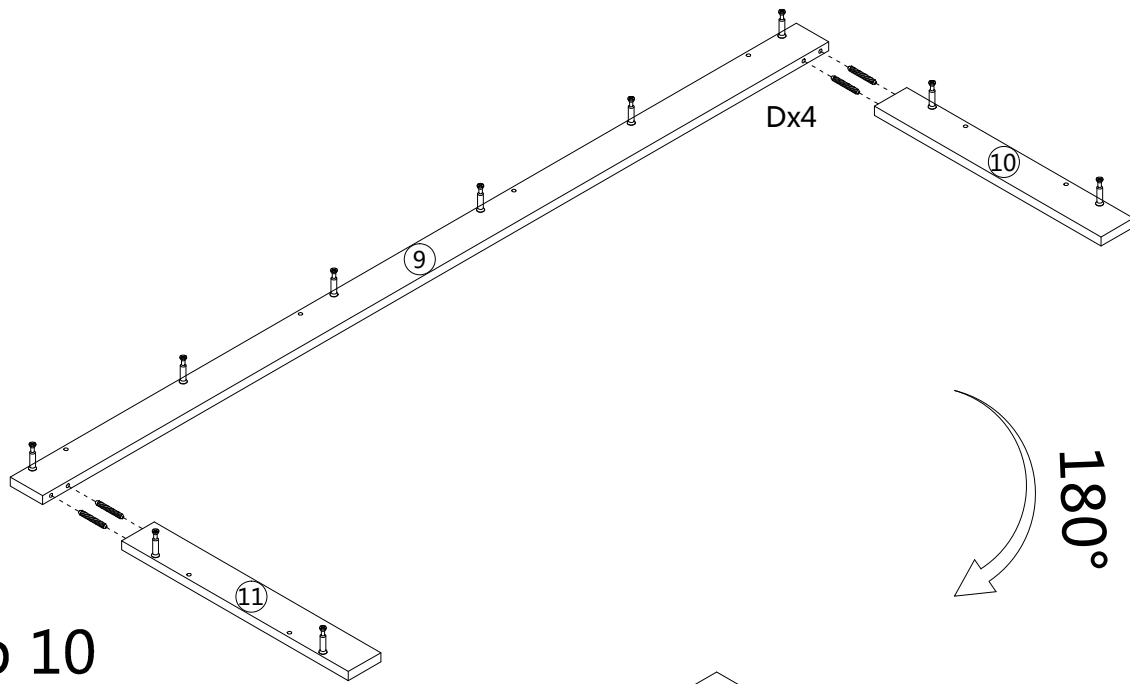
step 7



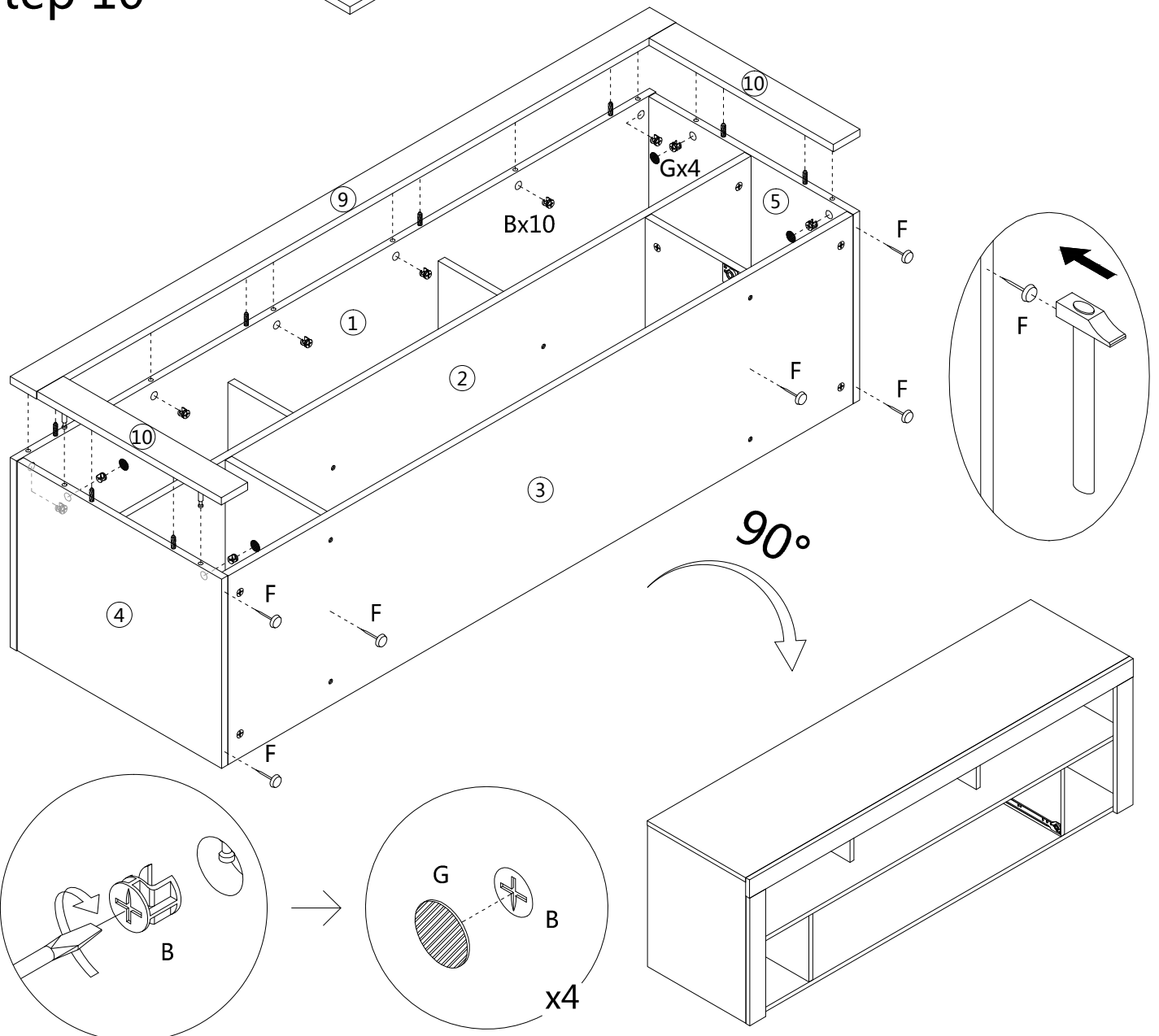
step 8



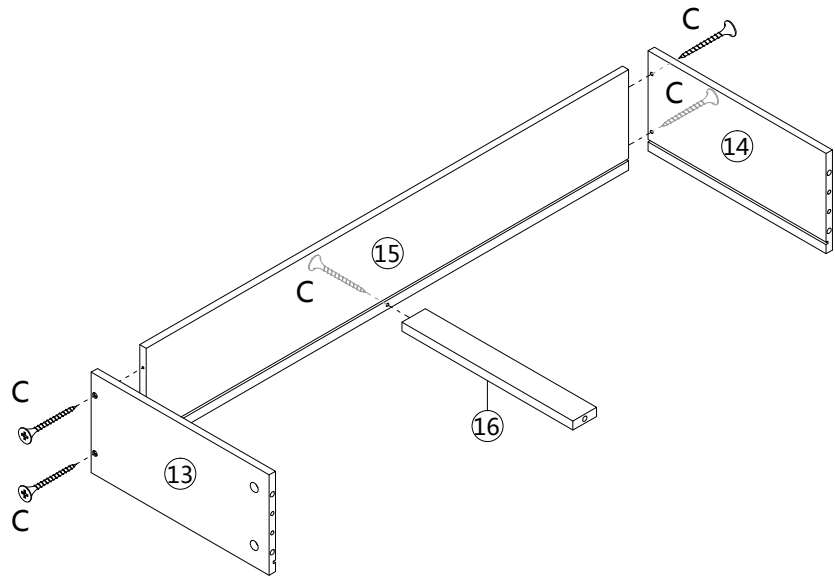
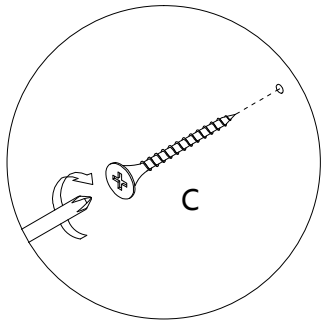
step 9



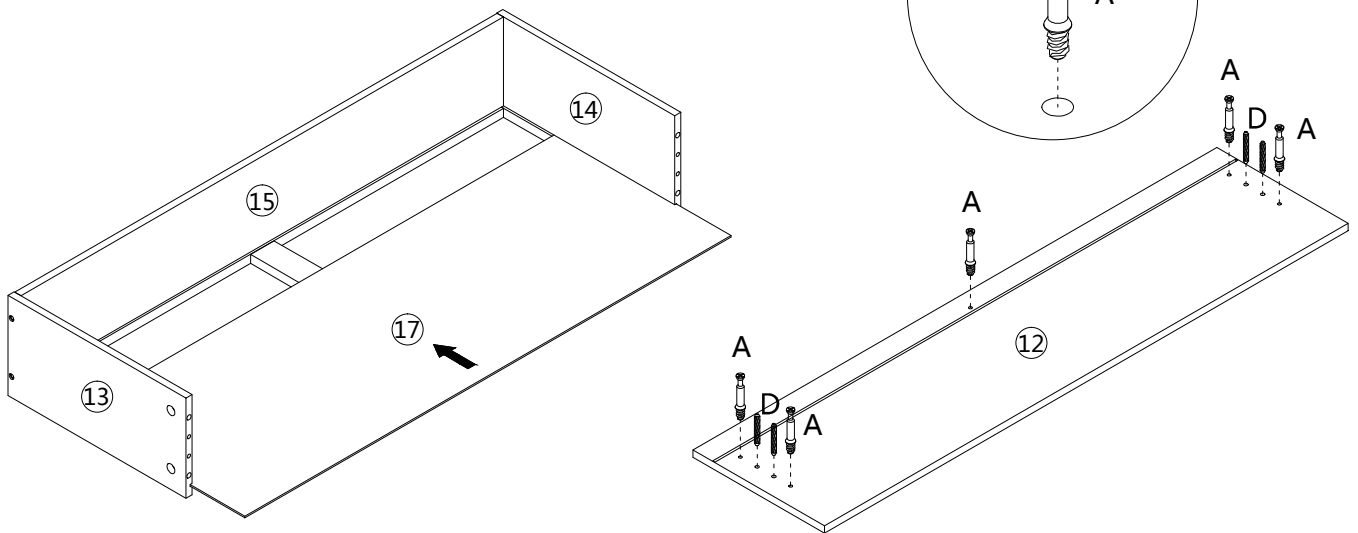
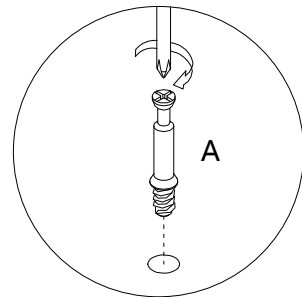
step 10



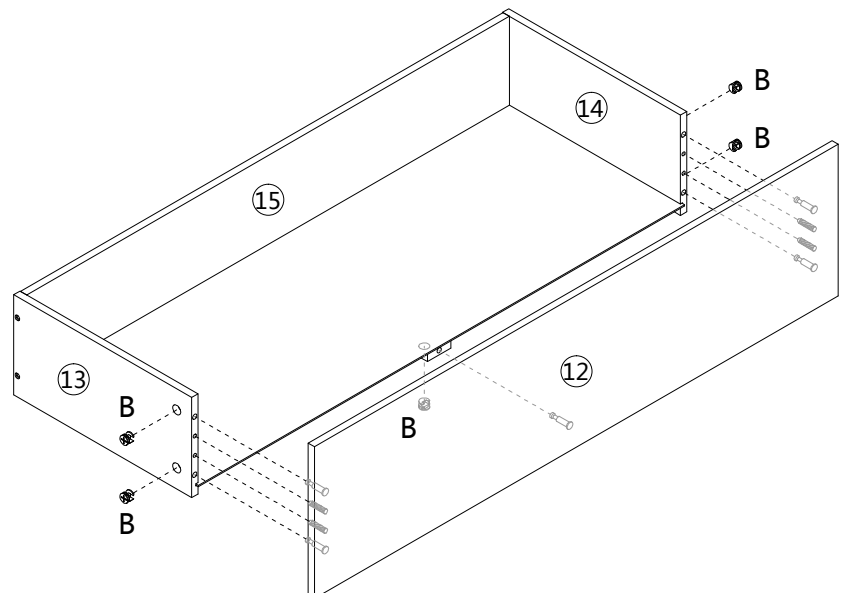
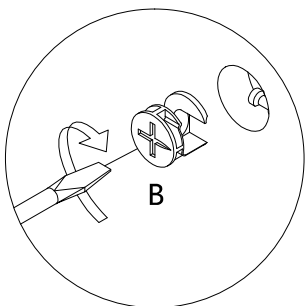
step 11



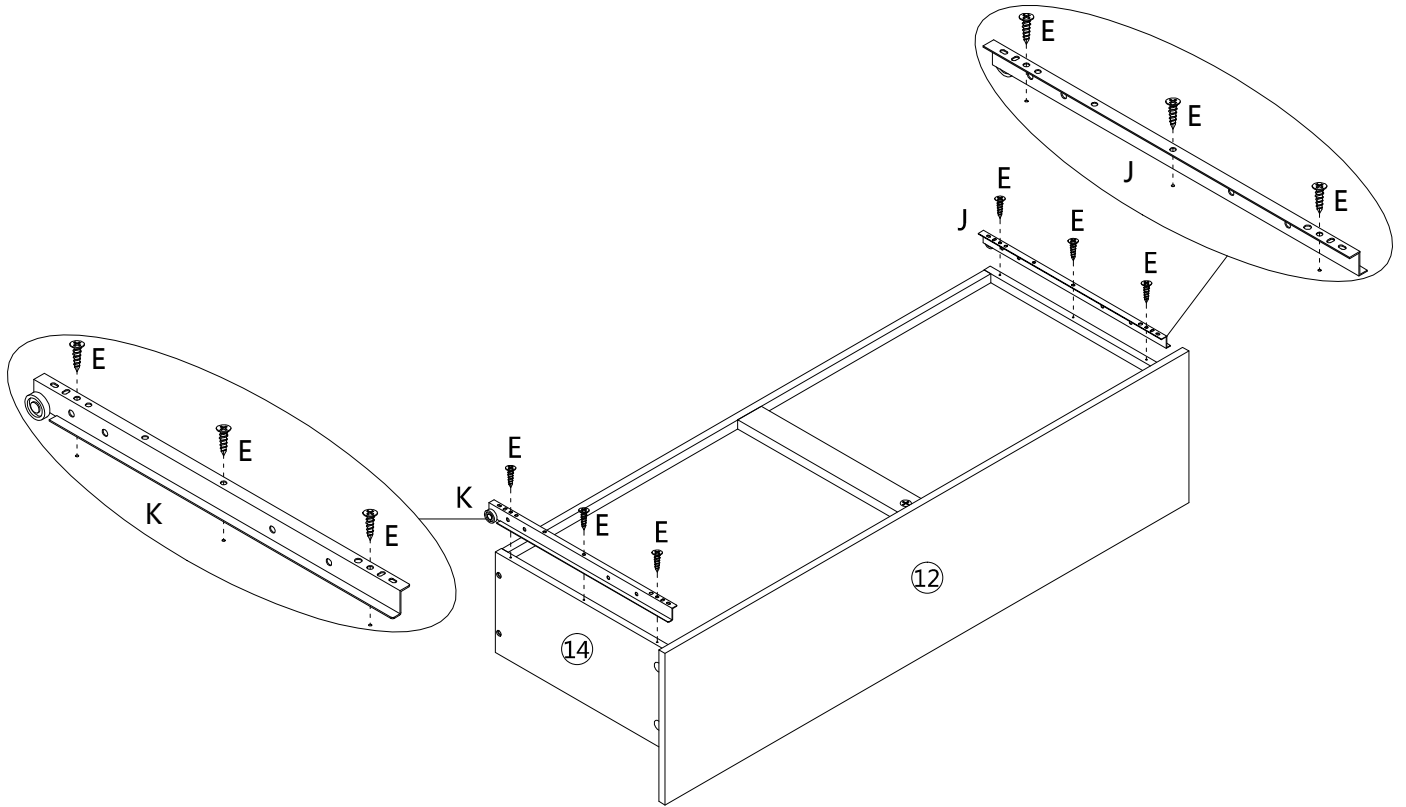
step 12



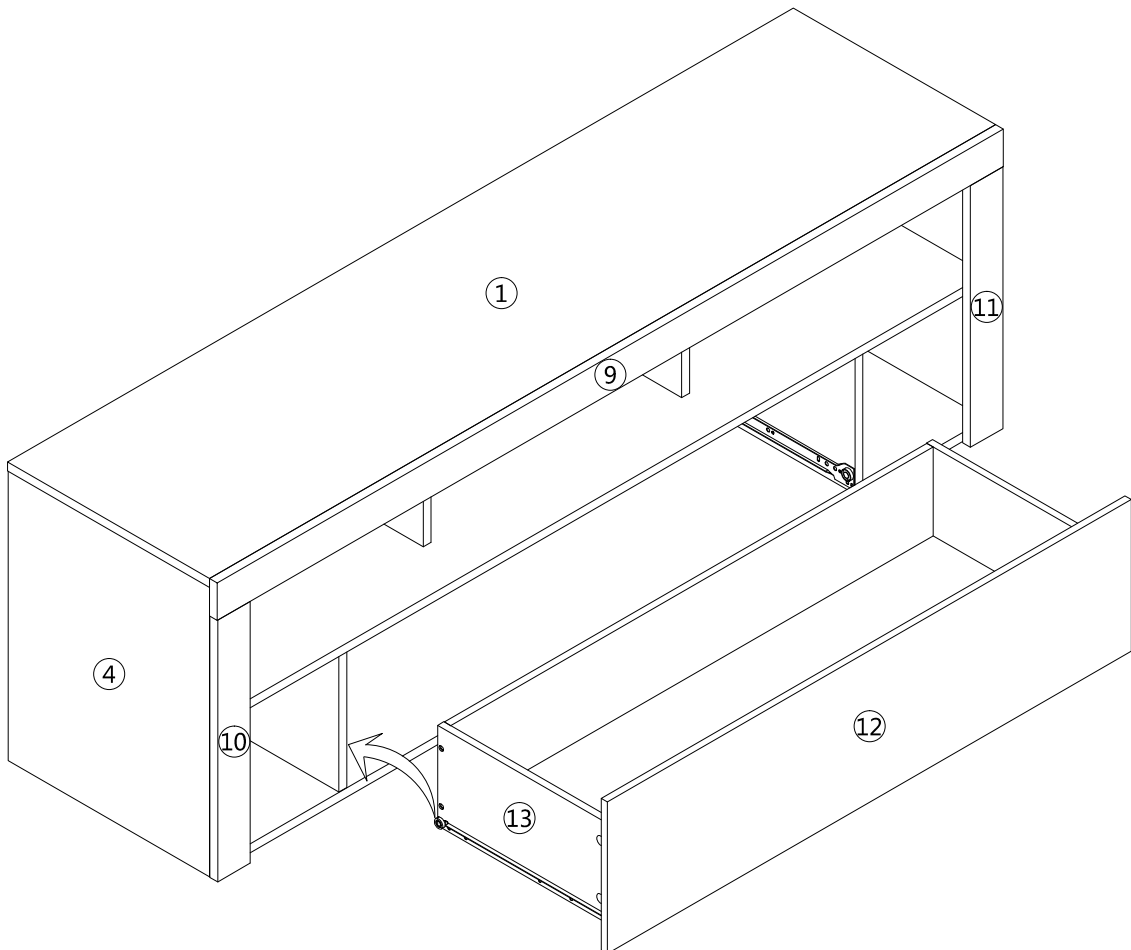
step 13



step 14



step 15



step 16

