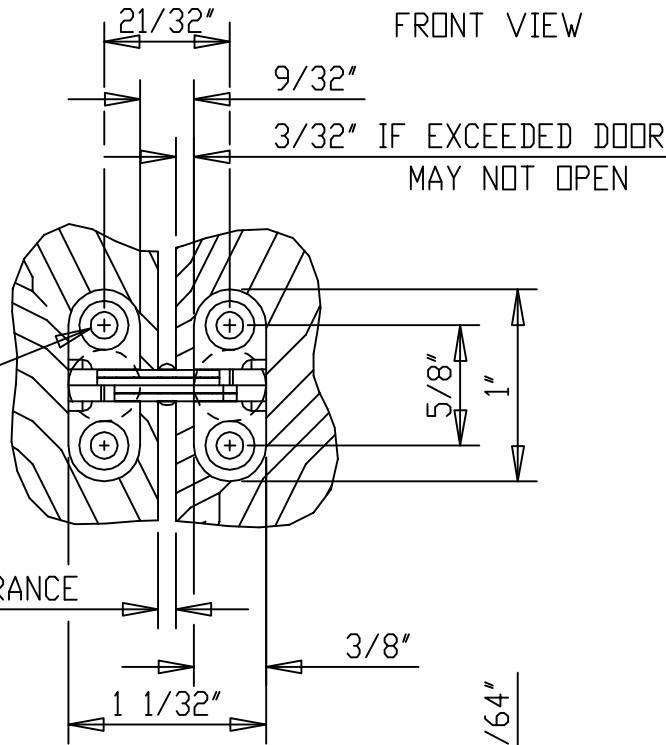


HINGE OPEN 180°  
ISOMETRIC VIEW

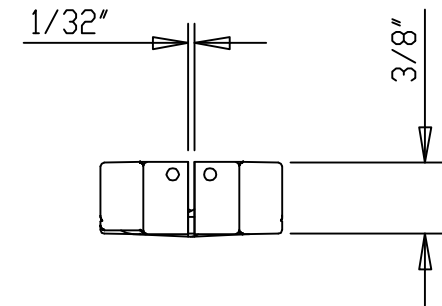
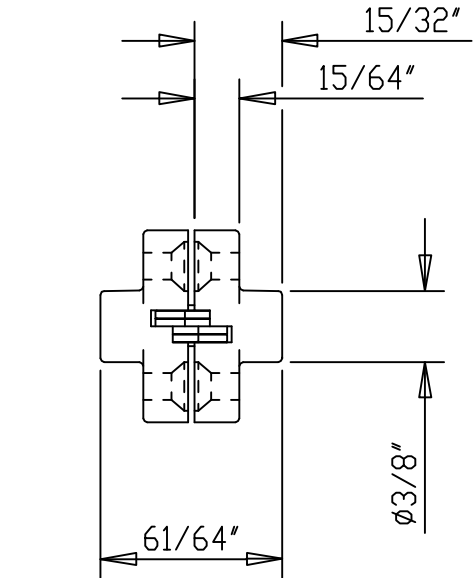
.140" DIA WITH  
.256" DIA x 82° C'SINK

3/32" DOOR CLEARANCE

HINGE OPEN 180°  
FRONT VIEW



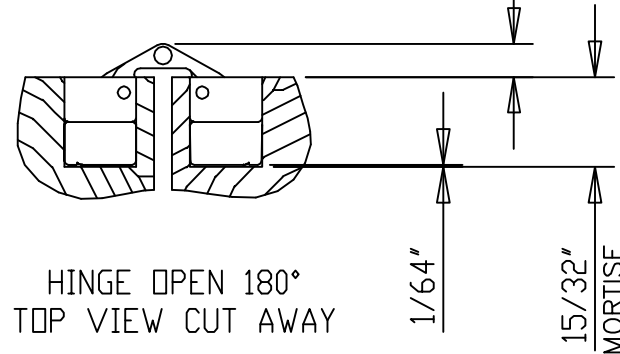
HINGE CLOSED  
FRONT VIEW CUT AWAY



HINGE CLOSED  
TOP VIEW CUT AWAY

SUPPLIED:  
WOOD SCREW  
#5 x 3/4"  
SPECIAL ORDER:  
MACH. SCREW  
#4-40 x 1/2"

HINGE OPEN 180°  
TOP VIEW CUT AWAY



MIN. MATERIAL THICKNESS IS 1/2"  
DO NOT SCALE DRAWING  
ALL DIMENSIONS ARE IN INCH  
DOOR CLEARANCE REDUCES TO 1/64" WHILE CLOSING  
SEE DWG# 4477-C IF ADDING MATERIAL TO DOOR FACE AND/OR FRAME FACE

**UIIP** ©Copyright  
Universal Industrial Products, Inc.  
One Coreway Drive  
Pioneer, Ohio 43554-0628

SCALE: 1 = 1

DRAWN BY: LHH

HINGE TEMPLATE

DATE: 5/01/11

#100 SOSS INVISIBLE HINGE

DRAWING # 100