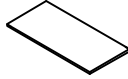








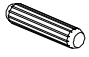
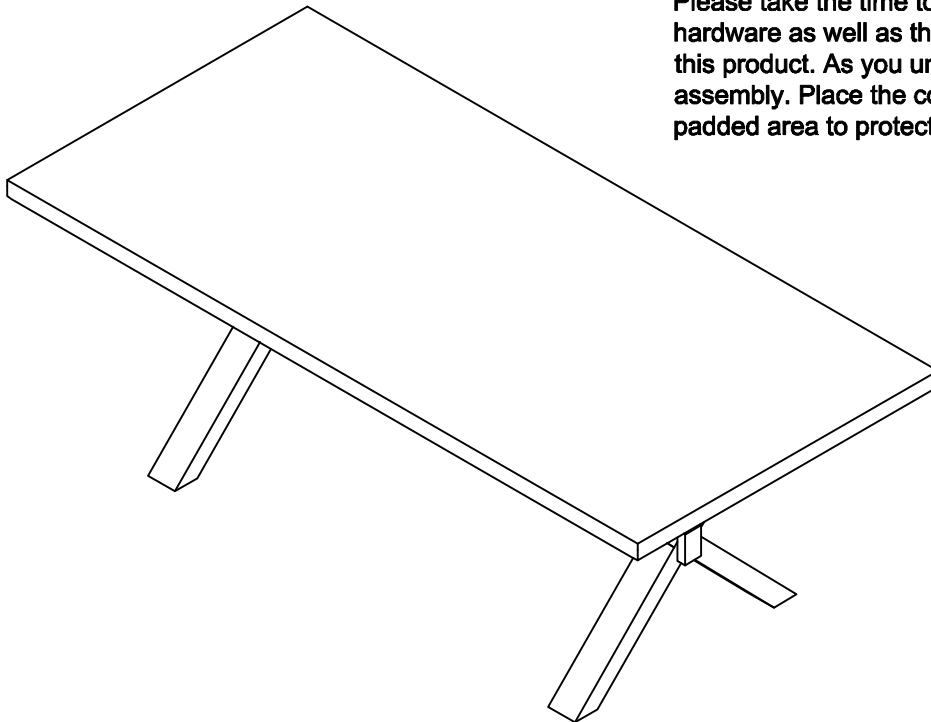


ASSEMBLY INSTRUCTION

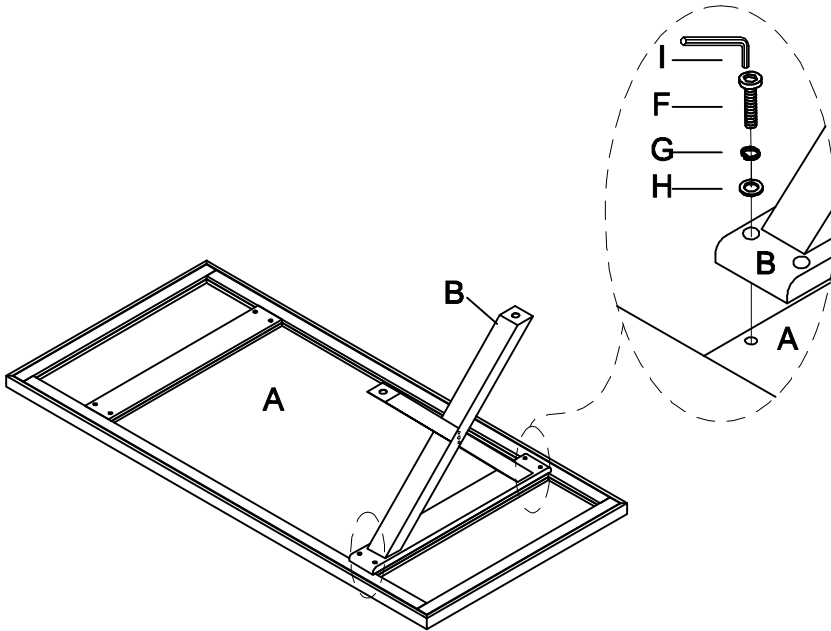
A Zinc Table Top  1PC	B Leg Frame  2PCS	C Cross Bar  1PC	D Wood Block  2PCS
E Bolt-Large Ø1/4"X3-1/2"  2PCS	F Bolt-Small Ø"1/4X1-1/4"  8PCS	G Lock Washer Ø1/4"  10PCS	H Flat Washer Ø1/4"X13mm  10PCS
I Allen Key 4mm  1PC	J Wooden Dowel Ø8X30mm  4PCS		

This page lists all the contents included in the box. Please take the time to identify the hardware as well as the individual components to this product. As you unpack and prepare for assembly. Place the contents on a carpeted or padded area to protect them from damage.

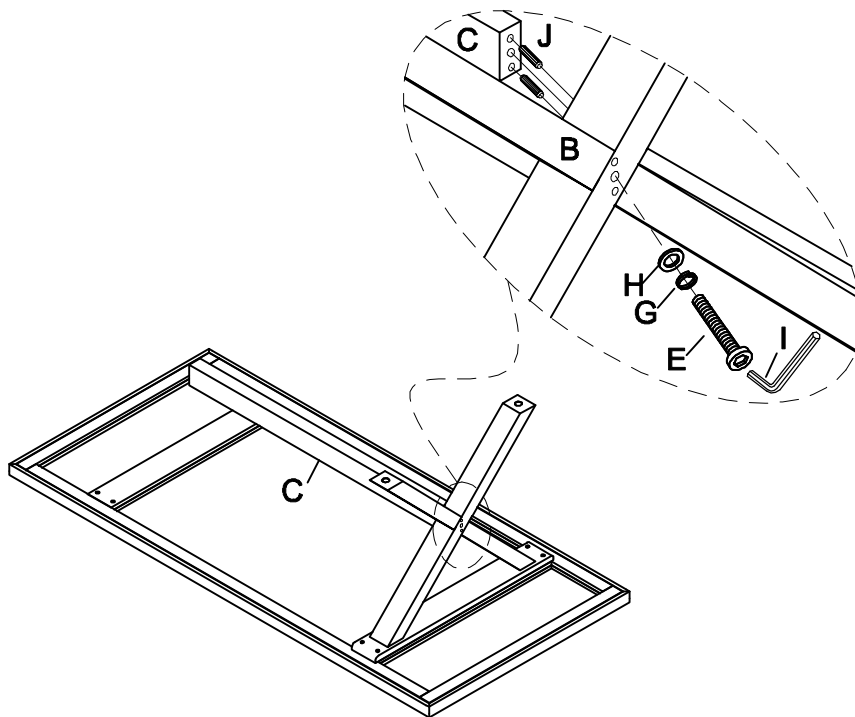


1

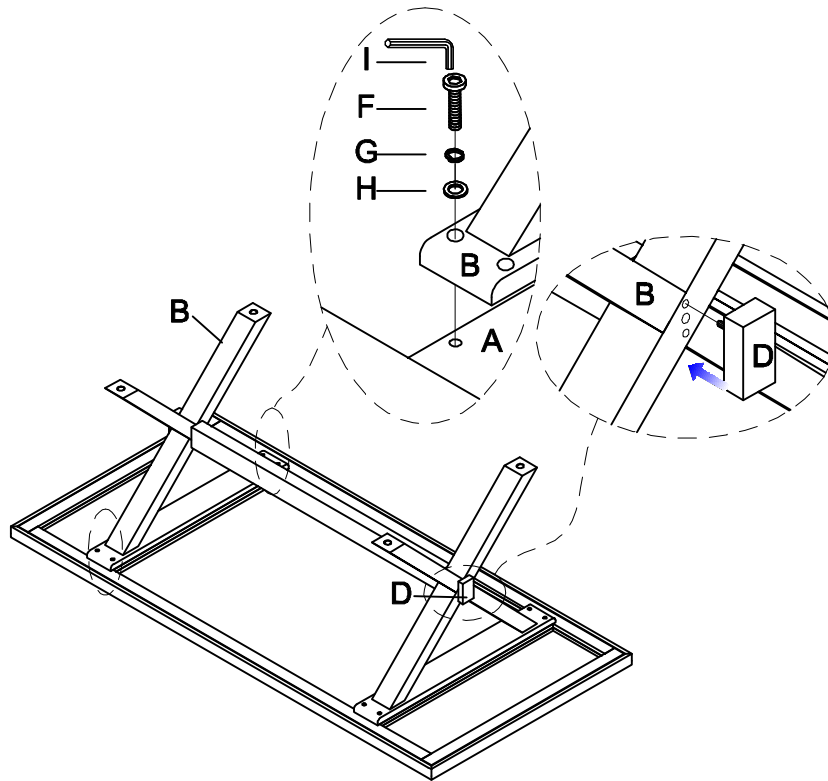
Lock leg frame(B) on the zinc table top(A) by using allen key(I), bolt-small(F), lock washer(G) and flat washer(H).

**2**

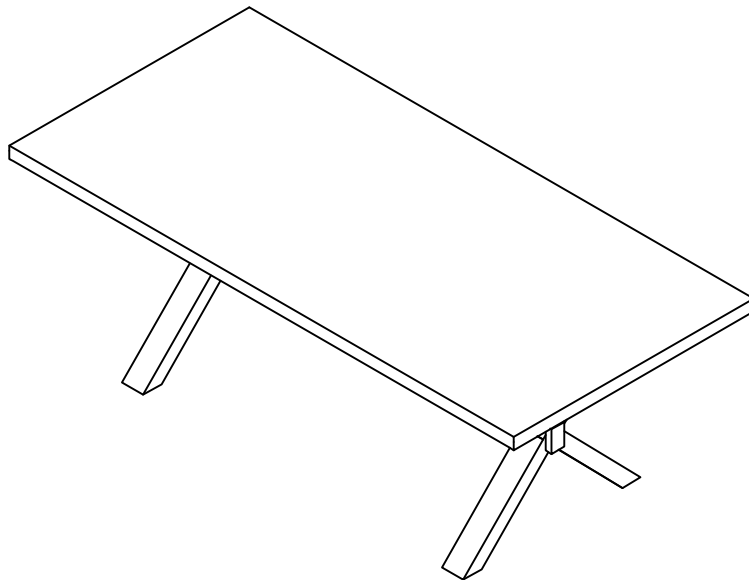
Lock a side of cross bar(C) to leg frame(B) by using flat washer(H), lock washer(G), bolt-large(E), allen key(I) and wooden dowel(J).



3 Repeat step 1 and step 2 . Put wood block(D) onto both sides of leg frame(B).



4 Completed.



Cleaning & Care

Treat surface with care. Surface is resistant to scratches but is not scratch resistant. Clean surfaces with a dry or damp soft cloth. Do not use abrasive cleaners. Hardware may loosen over time. Periodically check that all connections are tight.