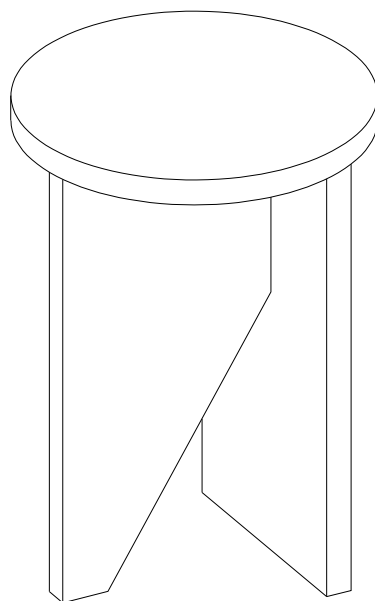


# ASSEMBLY INSTRUCTIONS.

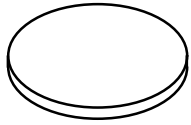
ACCENT TABLE WALNUT



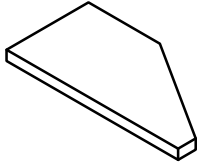
THANK YOU FOR YOUR PURCHASE!

## PARTS LIST

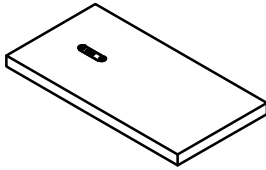
A. Top = 1



B. Leg I = 1

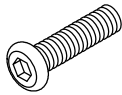


C. Leg II = 1



## HARDWARE LIST

1. Bolt  
M6x25 = 8



2. Spring Washer  
M6.5x11 = 4



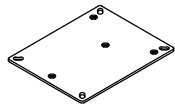
3. Flat Washer  
M6.5x16 = 4



4. Allen key  
M4 = 1



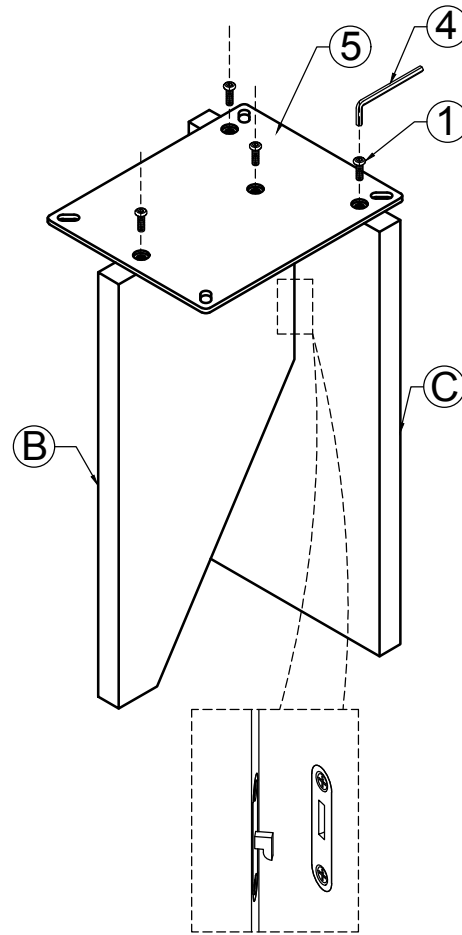
5. Pat = 1



## NOTES.

Thank you for purchasing this quality product! Be sure to check all packing material carefully for small part that may have come loose inside the carton during shipping.

## Step 1



## Step 2

