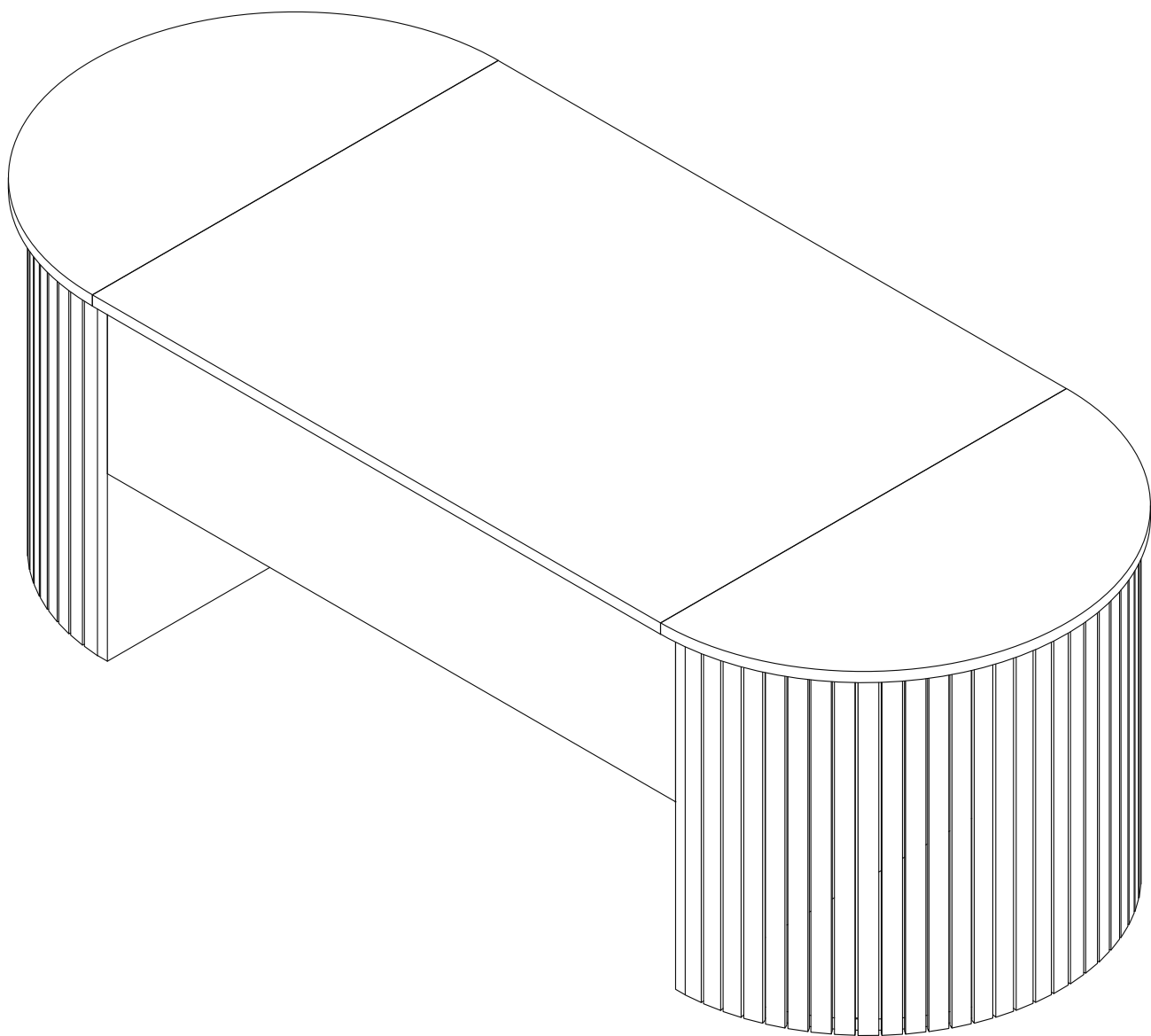
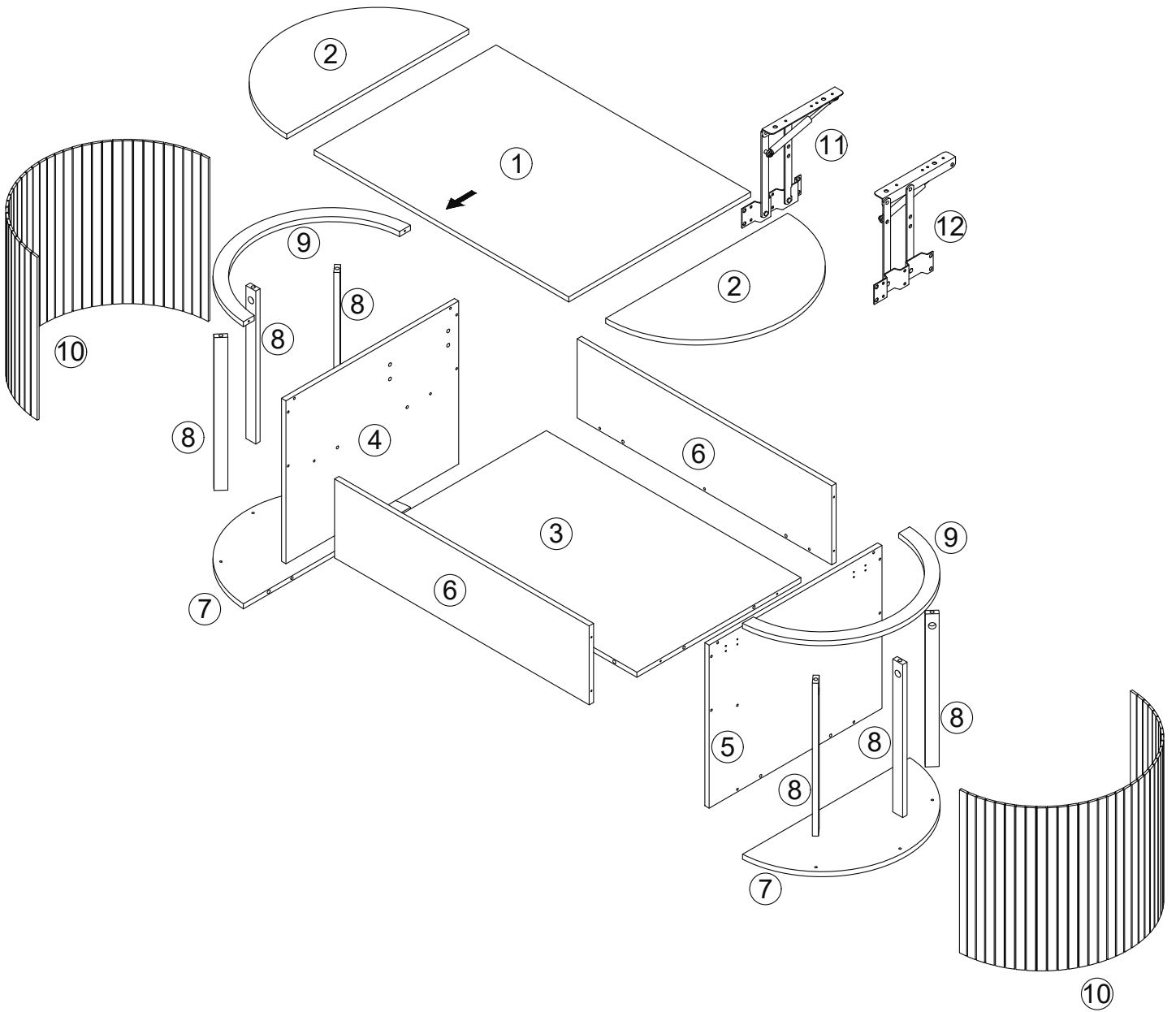
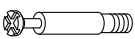



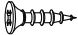
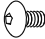

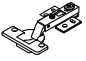




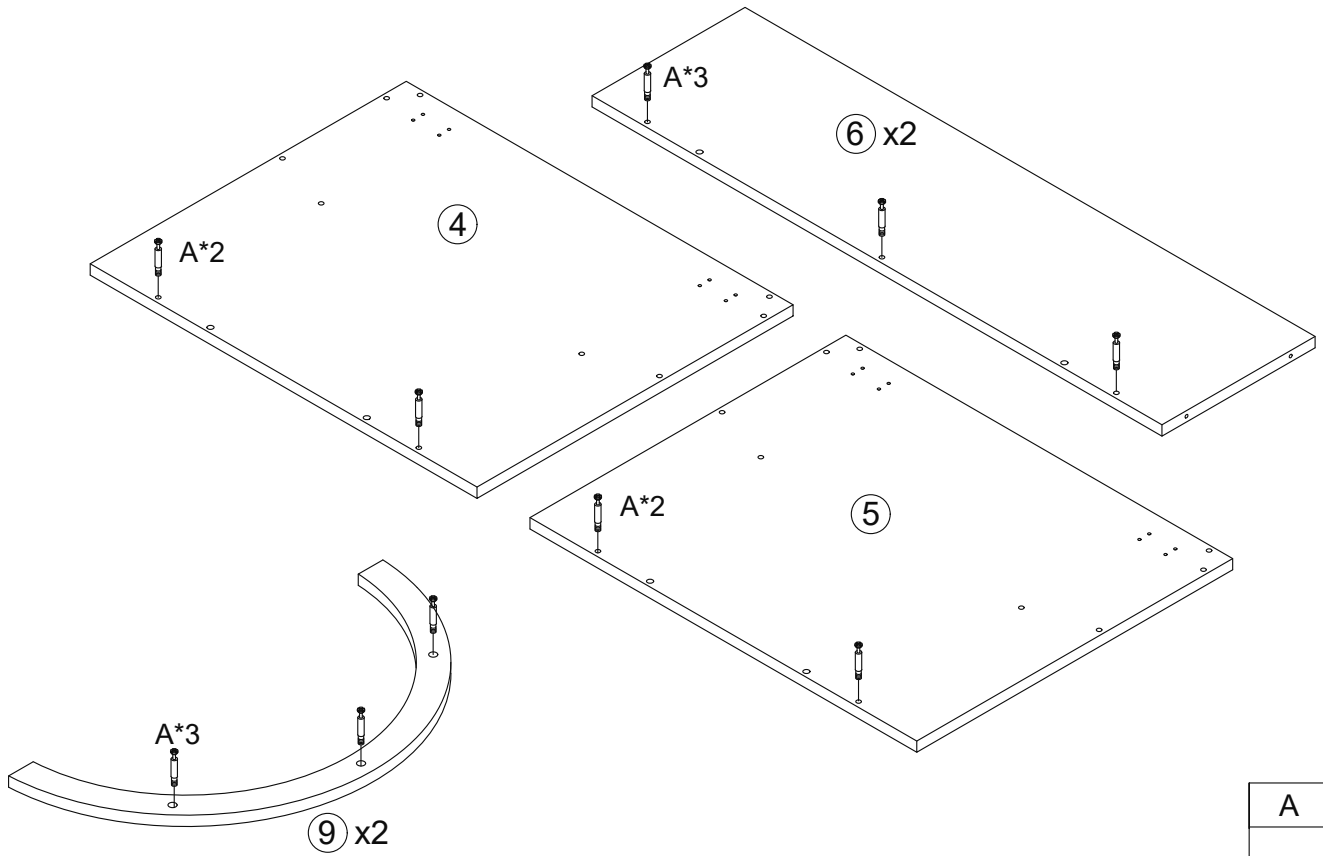
Assembly Instructions






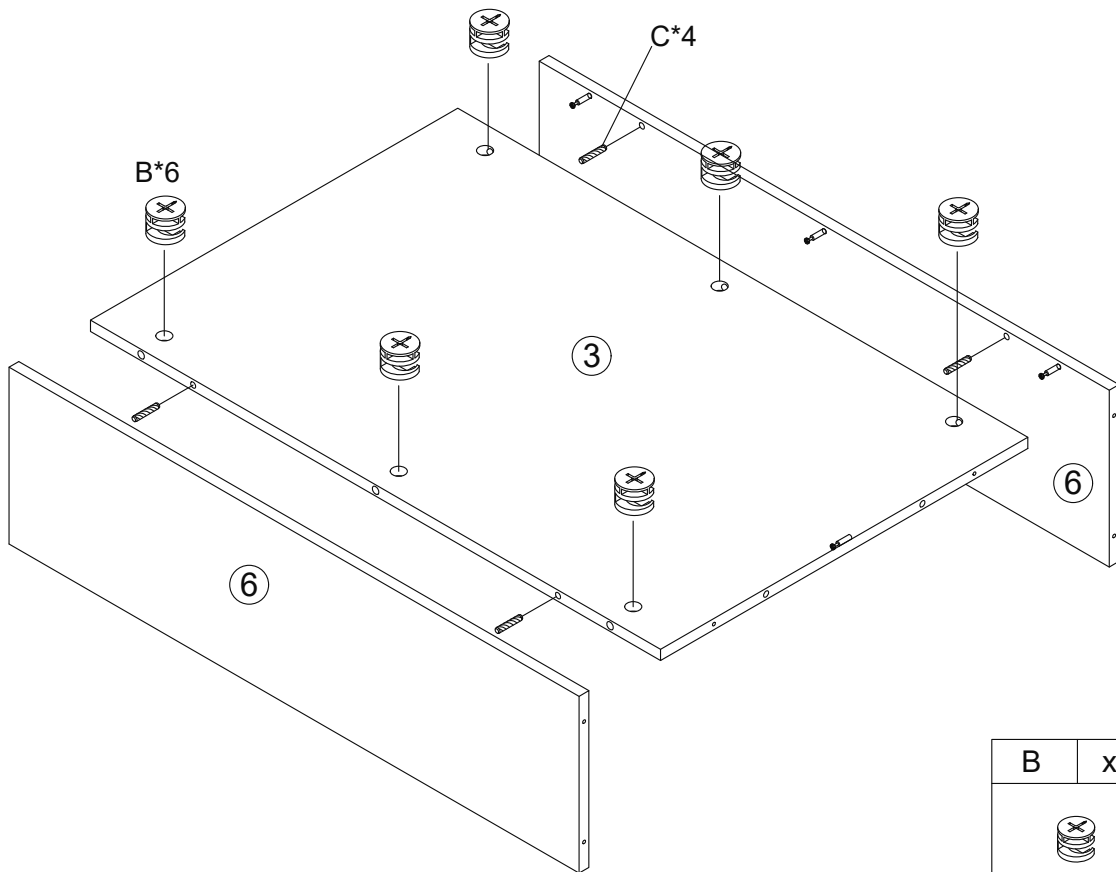
| | | | | | | | | | |
|---|-----|---|-----|---|-----|--|-----|---|-----|
| A | x16 | B | x16 | C | x12 | D | x22 | E | x24 |
|  | |  | |  | |  | |  | |
| M6*35mm | | Ø15X9mm | | Ø6*30mm | | M5*40 | | 3.5*10 | |
| F | x12 | G | x6 | H | x4 | I | x1 | J | x1 |
|  | |  | |  | |  | |  | |
| M6*10 | | Ø20mm | | | | M4 | | M3 | |


1




| | |
|---|-----|
| A | x16 |
|  | |
| M6*35mm | |

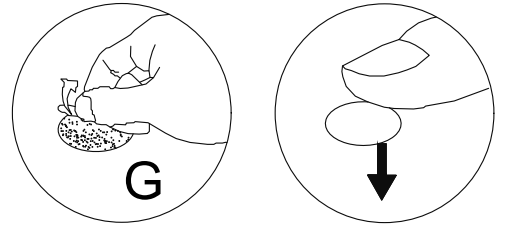
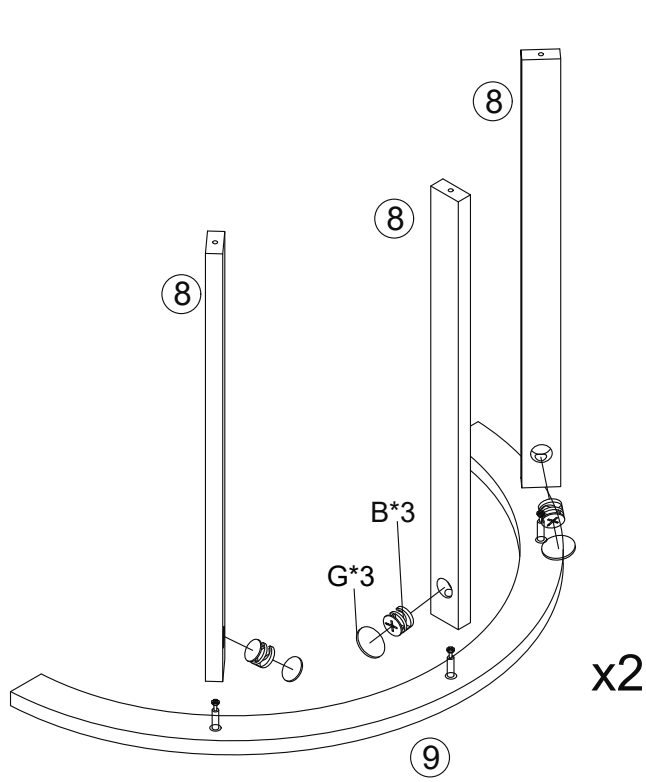
2



| | |
|---|----|
| B | x6 |
|  | |
| Ø15X9mm | |

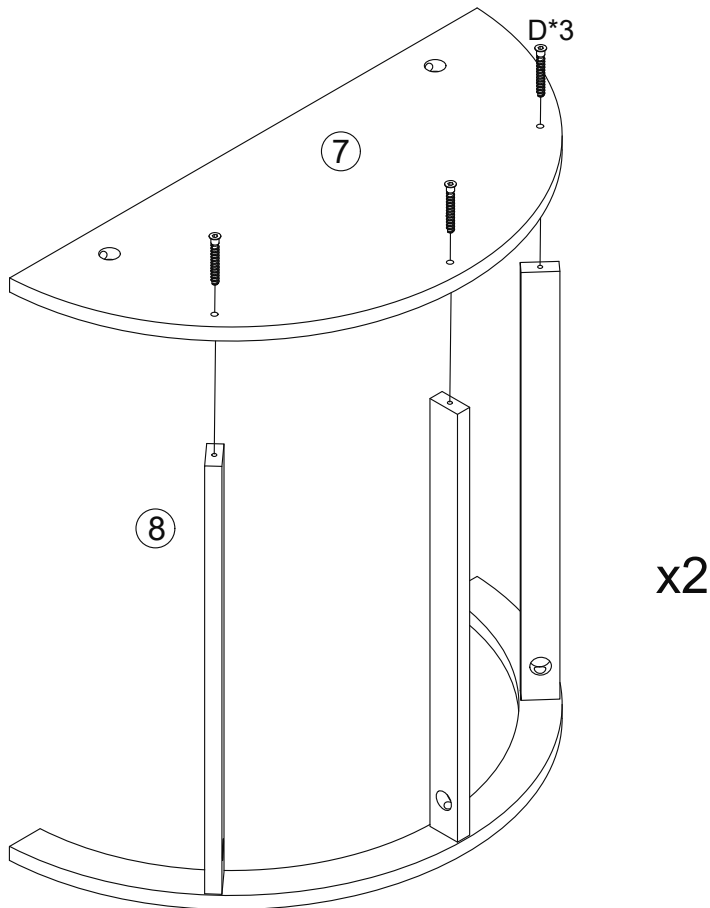
| | |
|---|----|
| C | x4 |
|  | |
| Ø6*30mm | |

3



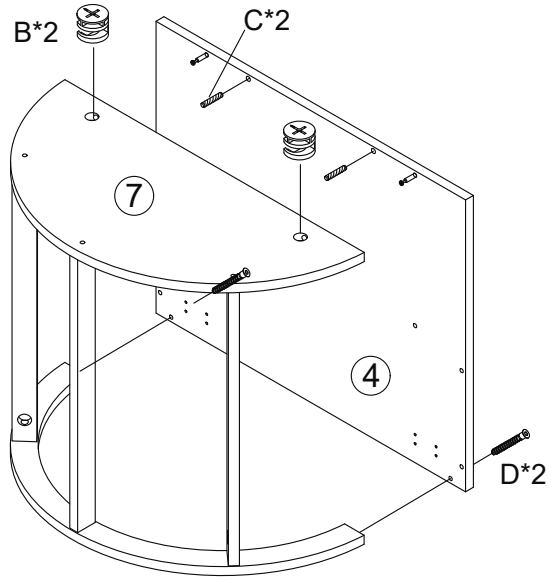
| | | | |
|-------|----|---------|----|
| G | x6 | B | x6 |
| | | | |
| Ø20mm | | Ø15X9mm | |

4



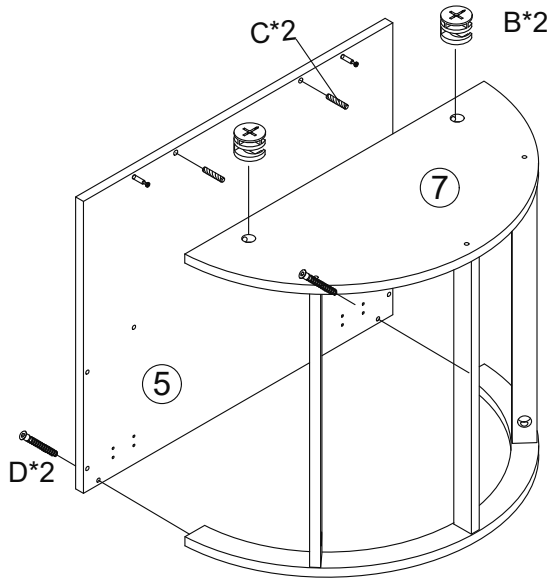
| | | | |
|-------|----|----|----|
| D | x6 | J | x1 |
| | | | |
| M5*40 | | M3 | |

5



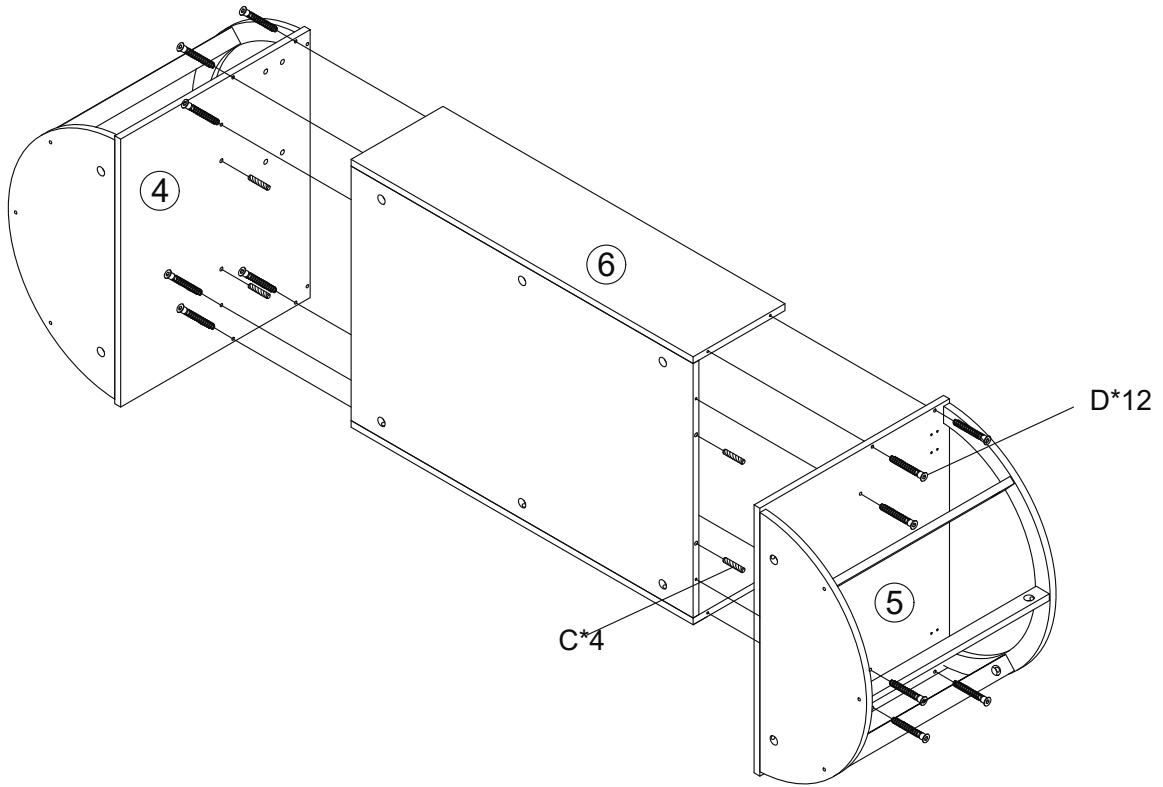
| | | | | | | | |
|---------|----|---------|----|-------|----|----|----|
| B | x2 | C | x2 | D | x2 | J | x1 |
| | | | | | | | |
| Ø15X9mm | | Ø6*30mm | | M5*40 | | M3 | |

6



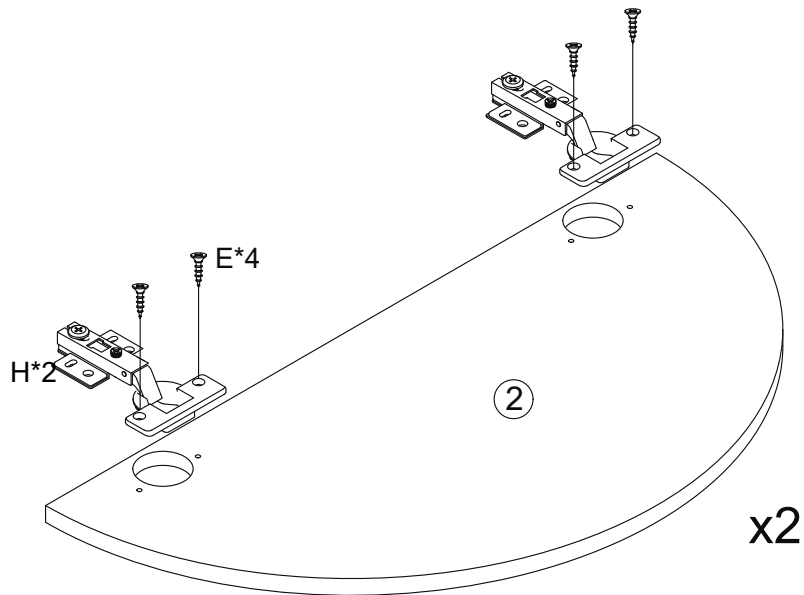
| | | | | | | | |
|---------|----|---------|----|-------|----|----|----|
| B | x2 | C | x2 | D | x2 | J | x1 |
| | | | | | | | |
| Ø15X9mm | | Ø6*30mm | | M5*40 | | M3 | |

7



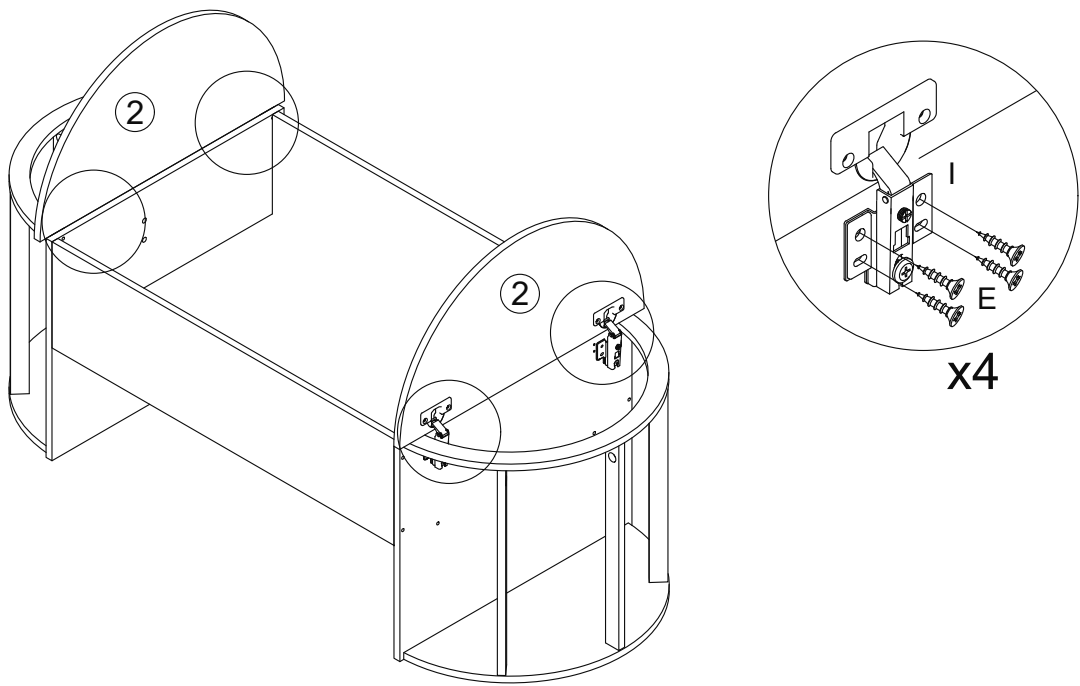
| | | | | | |
|---------|----|-------|-----|----|----|
| C | x4 | D | x12 | J | x1 |
| | | | | | |
| Ø6*30mm | | M5*40 | | M3 | |

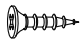
8



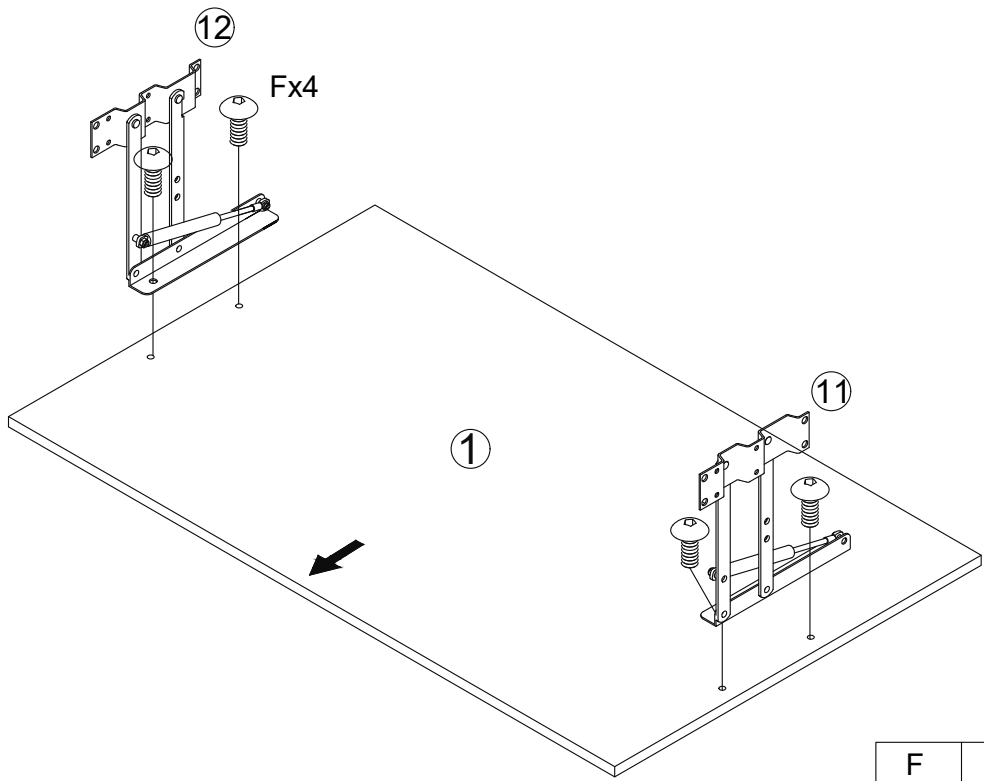
| | | | |
|--------|----|---|----|
| E | x8 | H | x4 |
| | | | |
| 3.5*10 | | | |


8




| | |
|---|-----|
| E | x16 |
|  | |
| 3.5*10 | |

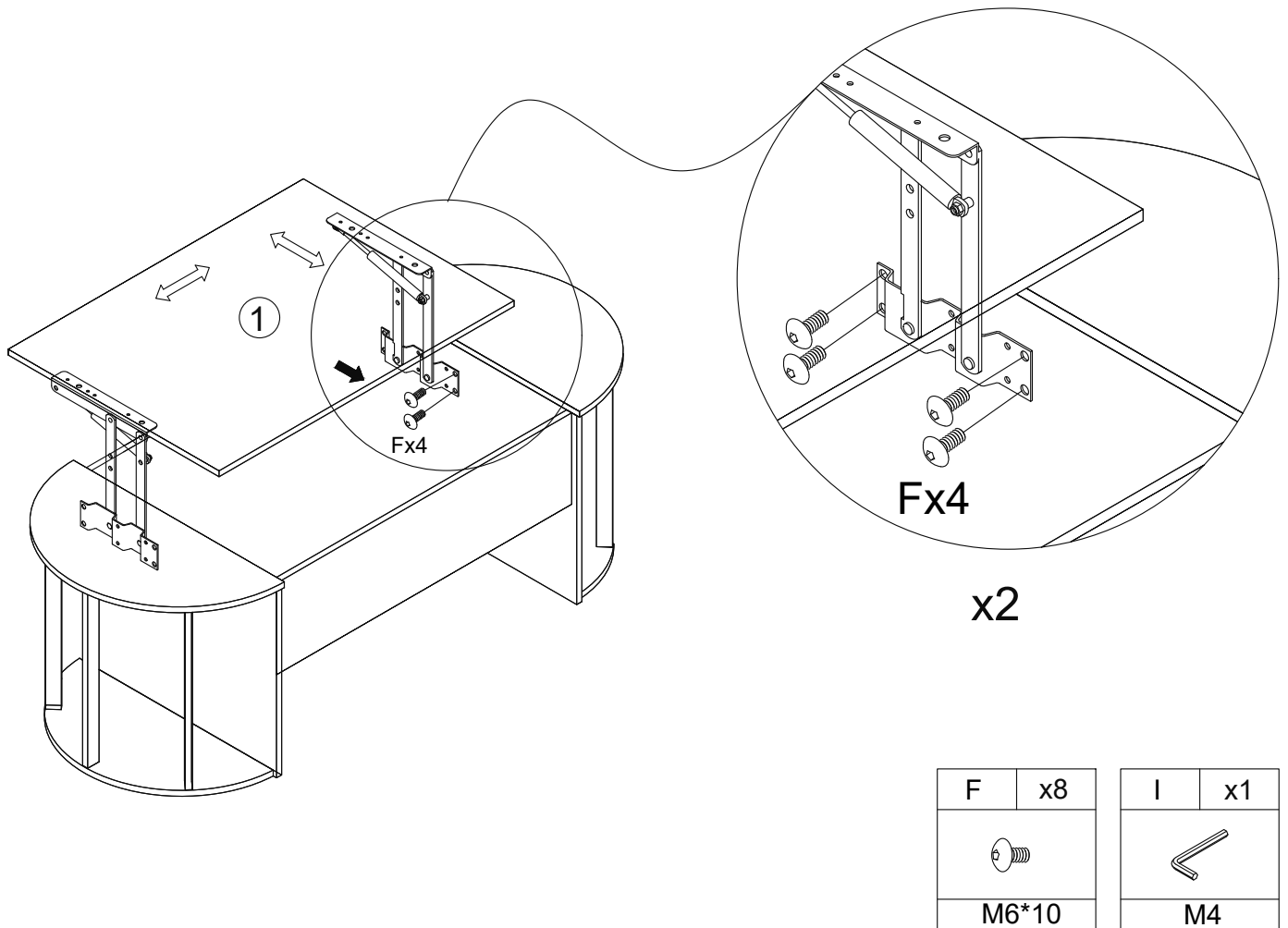
9



| | |
|---|----|
| F | x4 |
|  | |
| M6*10 | |

| | |
|---|----|
| I | x1 |
|  | |
| M4 | |

10



11

