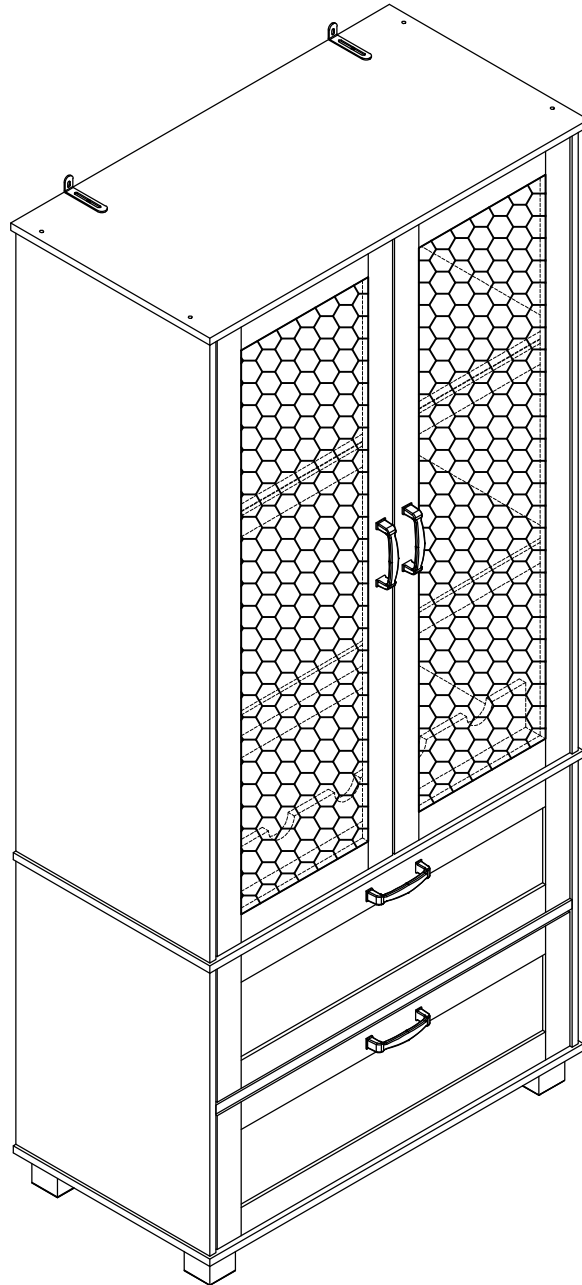


Instruction Manual

Pantry Cabinet



Thank you for shopping with us!

If any part is missing, broken upon receipt or you need any help from us.
For the FASTEST SOLUTION, please FIRSTLY CONTACT US at our
after-sales email:

Power tool is recommended for the assembly.

Notes:

1. ASSEMBLY PREPARATION AND TIPS FOR ASSEMBLY

- 1). Remove all packaging materials, staples and packing straps from the carton.
- 2). Refer to Parts List and Hardware List, and ensure parts and hardware are correct before assembly.
Contact customer service for missing parts.
- 3). Place all wooden parts on a clean, flat and soft surface (e.g. carpet or rug) to prevent scratch and damage to parts.
- 4). Allow ample room for assembly and assemble the product near where the product will be placed.
- 5). During assembly, do not over-tighten any fittings as this may cause damage.
- 6). Always place the product on a flat, level surface.

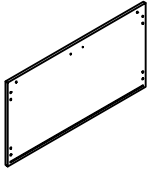
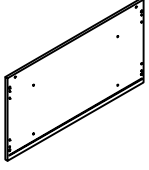
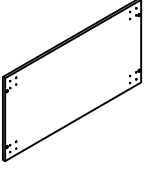
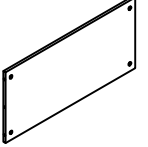
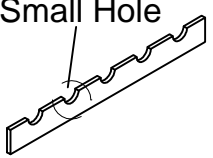
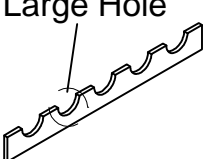
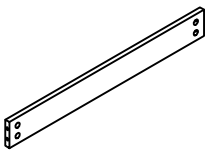
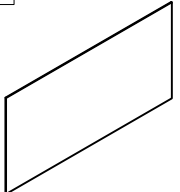
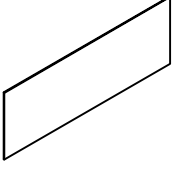
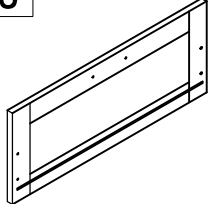
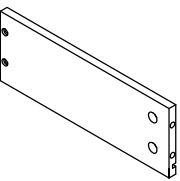
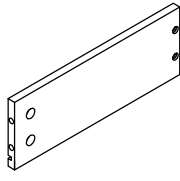
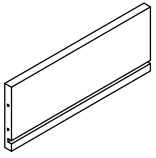
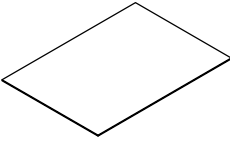
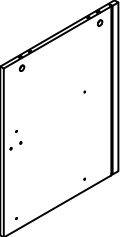
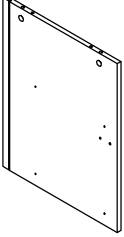
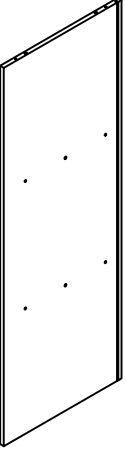
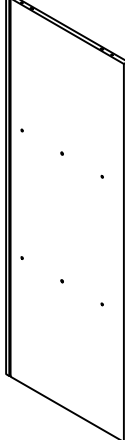
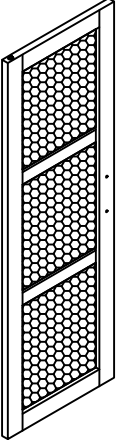
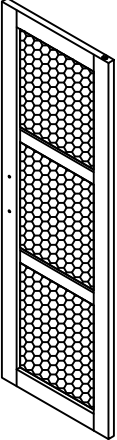
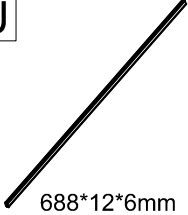
2. CARE AND MAINTENANCE

- 1). KEEP ALL HARDWARE PARTS OUT OF REACH OF CHILDREN.
- 2). Wipe clean with a soft, dry cloth; avoid the use of harsh chemicals or household cleaners as they may damage the exterior finish of the furniture.
- 3). Hardware may loosen over time. Periodically, check that all connections are tight; re-tighten as necessary.


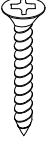




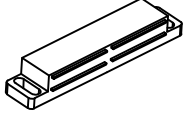

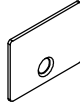

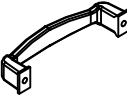
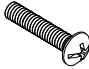
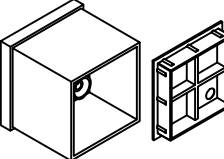
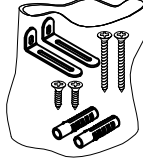
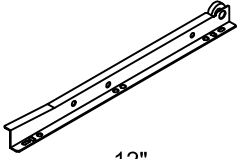
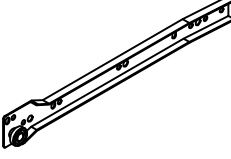
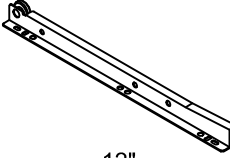
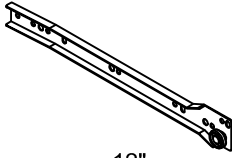
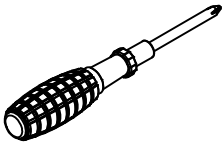
3. TIPS TO PROTECT & CARE FOR YOUR FURNITURE

- 1). Avoid placing your furniture in direct sunlight, as sunlight causes fading.
- 2). Use a protective pad when writing on the furniture surface.
- 3). Use cutting boards and trivets for food preparation in order to avoid damaging the top for the unit.

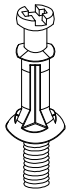
PART LIST

<p>A</p> 	<p>B</p> 	<p>C</p> 	<p>D</p> 	<p>E</p>  <p>Small Hole</p>
<p>Upper Top Panel 1 PC</p>	<p>Upper Bottom Panel 1 PC</p>	<p>Lower Bottom Panel 1 PC</p>	<p>Upper Fixed Shelf Panel 2 PCS</p>	<p>Front Wine Glass Rack 1 PC</p>
<p>F</p>  <p>Large Hole</p>	<p>G</p> 	<p>H</p> 	<p>I</p> 	<p>J</p> 
<p>Rear Wine Glass Rack 1 PC</p>	<p>Lower Center Rail 1 PC</p>	<p>Upper Back Panel 3 PCS</p>	<p>Lower Back Panel 2 PCS</p>	<p>Drawer Front Panel 2 PCS</p>
<p>K</p> 	<p>L</p> 	<p>M</p> 	<p>N</p> 	<p>O</p> 
<p>Drawer Left Panel 2 PCS</p>	<p>Drawer Right Panel 2 PCS</p>	<p>Drawer Back Panel 2 PCS</p>	<p>Drawer Bottom Panel 2 PCS</p>	<p>Lower Left Panel 1 PC</p>
<p>P</p> 	<p>Q</p> 	<p>R</p> 	<p>S</p> 	<p>T</p> 
<p>Lower Right Panel 1 PC</p>	<p>Upper Left Panel 1 PC</p>	<p>Upper Right Panel 1 PC</p>	<p>Upper Left Door 1 PC</p>	<p>Upper Right Door 1 PC</p>
<p>U</p>  <p>688*12*6mm Back Plastic Strip 3 PCS</p>				

HARDWARE LIST

<p>#1</p>  <p>Ø5*40mm Screw</p>	<p>#2</p>  <p>Ø3.5*30mm Screw</p>	<p>#3</p>  <p>Ø6*30mm Wood Dowel</p>	<p>#4</p>  <p>Ø6*35mm Cam-bolt</p>	<p>#5</p>  <p>Ø15*9mm Cam-lock</p>
<p>16PCS (Extra 2)</p>	<p>8PCS (Extra 1)</p>	<p>20PCS (Extra 2)</p>	<p>24PCS (Extra 3)</p>	<p>24PCS(Extra 3)</p>
<p>#6</p>  <p>Back Bracket</p>	<p>#7</p>  <p>70*17*13mm Double Door Magnet</p>	<p>#8</p>  <p>Ø3.5*14mm Screw</p>	<p>#9</p>  <p>30*22*1mm Door Small Plate</p>	<p>#10</p>  <p>Ø3.5*12mm Screw</p>
<p>14 PCS (Extra 2)</p>	<p>1 PC</p>	<p>32 PCS (Extra 4)</p>	<p>2 PCS</p>	<p>22 PCS (Extra 4)</p>
<p>#11</p>  <p>Handle</p>	<p>#12</p>  <p>M4*18mm Round Head Bolt</p>	<p>#13</p>  <p>Foot Pad</p>	<p>#14</p>  <p>Safety Strap Kit</p>	<p>#15</p>  <p>12" Left Drawer Slide Set (A)</p>
<p>4PCS</p>	<p>8 PCS (Extra 1)</p>	<p>4 PCS</p>	<p>1 SET</p>	<p>2 PCS</p>
<p>#16</p>  <p>12" Left Drawer Slide Set (B)</p>	<p>#17</p>  <p>12" Right Drawer Slide Set (A)</p>	<p>#18</p>  <p>12" Right Drawer Slide Set (B)</p>	 <p>Phillips Screwdriver</p>	
<p>2 PCS</p>	<p>2 PCS</p>	<p>2 PCS</p>	<p>1 PC</p>	

Instructions For Fastening CAM-BOLT and CAM-LOCK

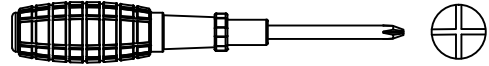


CAM-BOLT

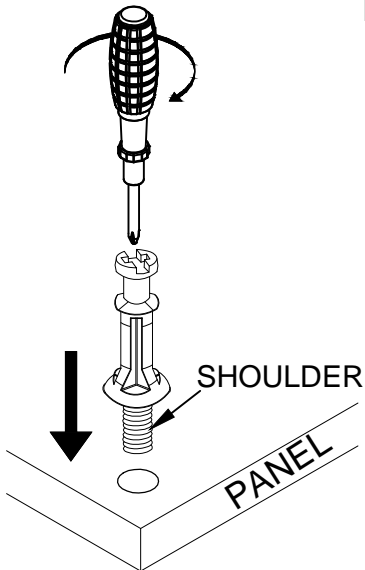


CAM-LOCK

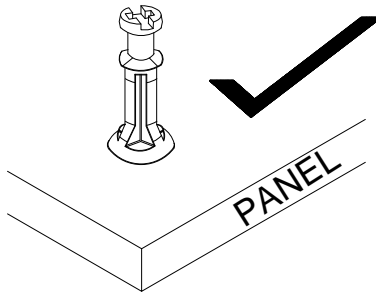
Tools Required



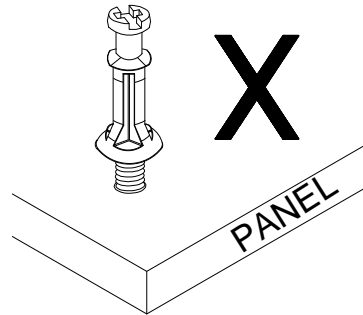
INSERTING AND TIGHTENING CAM-BOLT



Place Cam-bolt on pre-drilled hole and screw in vertically



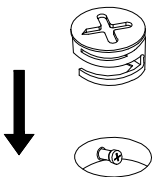
Shoulder is flushed (on the same level) with the panel.



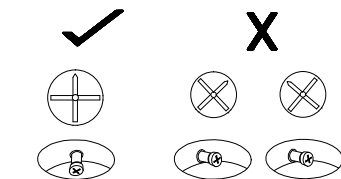
Shoulder is above the panel.

Place Cam-bolt on the designated pre-drilled holes on the panel. Use a Phillips Screwdriver to screw-in Cam-bolt vertically until shoulder is flushed (on the same level) with panel.

INSERTING CAM-LOCK



Insert Cam-lock with arrow align to Cam-bolt head

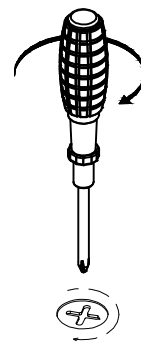


CORRECT

WRONG

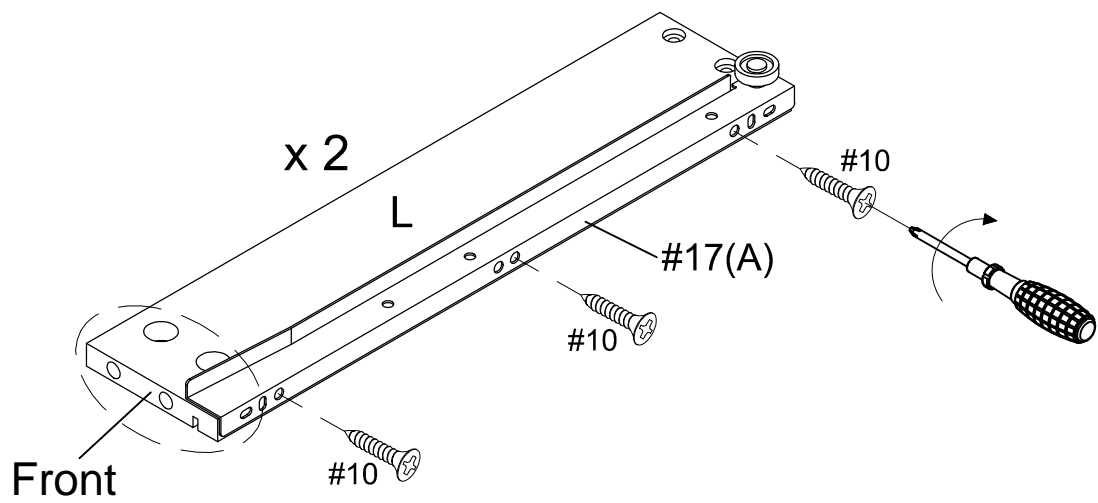
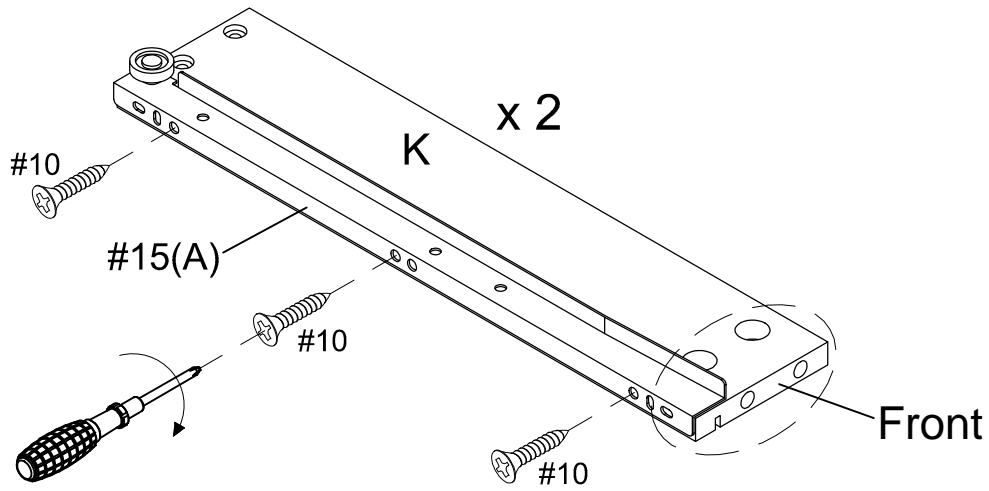
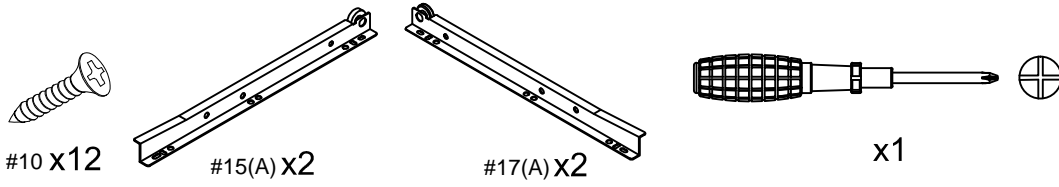
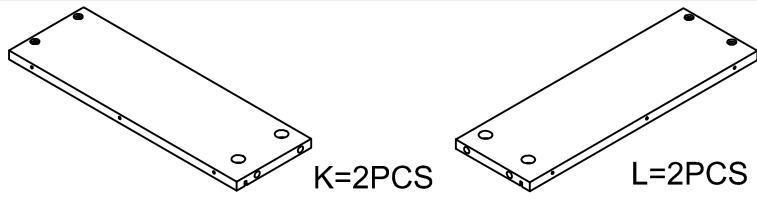
Align the arrow on the Cam-lock to the Cam-bolt head and insert the Cam-lock. Ensure Cam-lock is fully inserted.

TIGHTENING CAM-LOCK

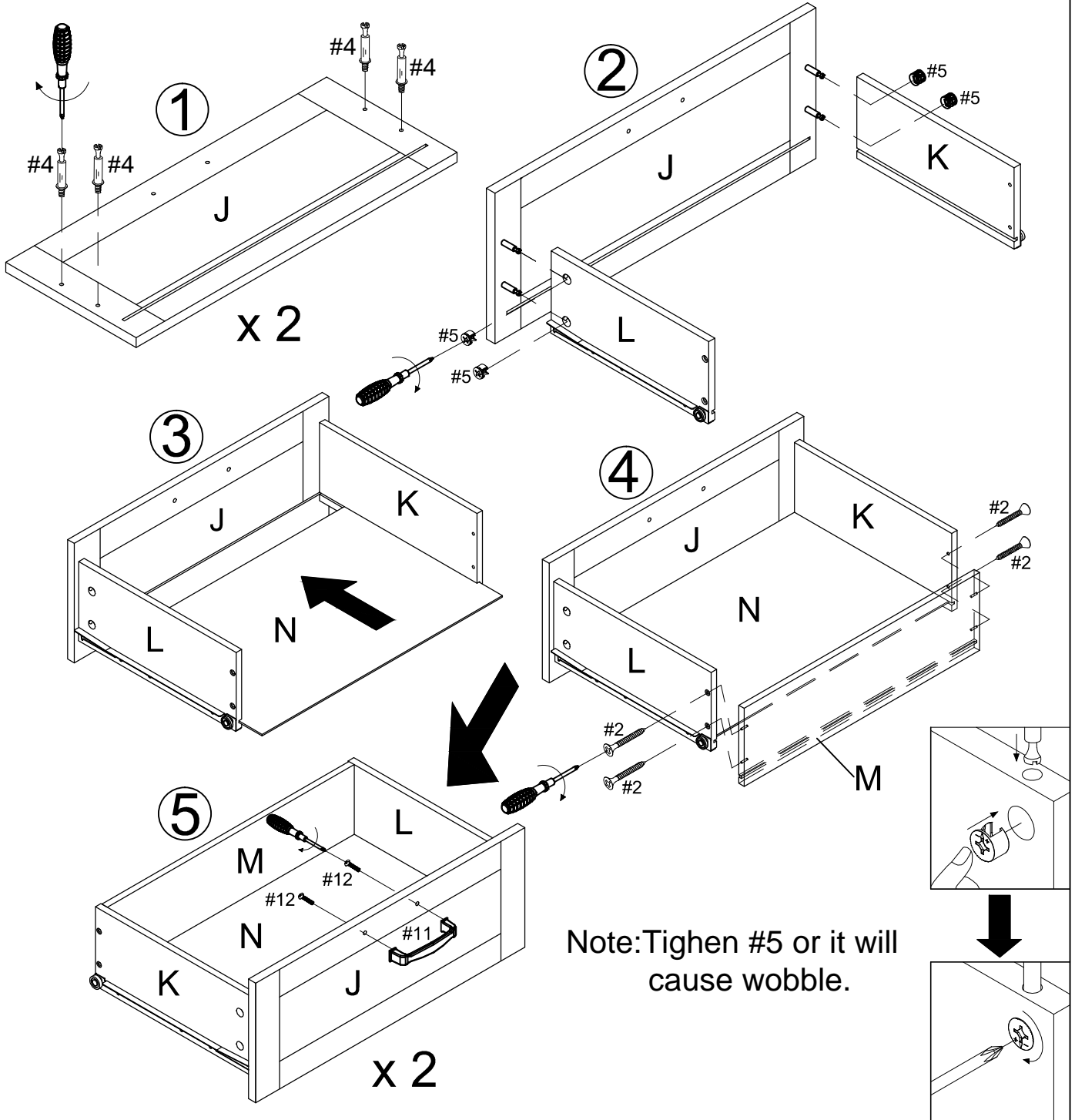
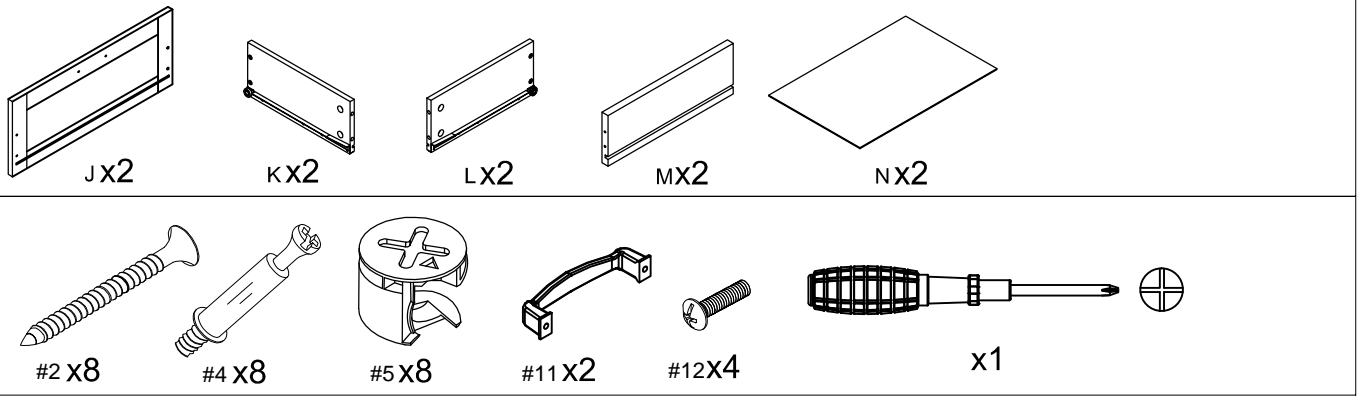


Use a Flat-head Screwdriver to turn Camlock clockwise so it locks onto the head of the Cam-bolt. Turn until it is snug (about 3/4ths of a turn) -- over-tightening could damage Cam-lock or/and Cam-bolt.

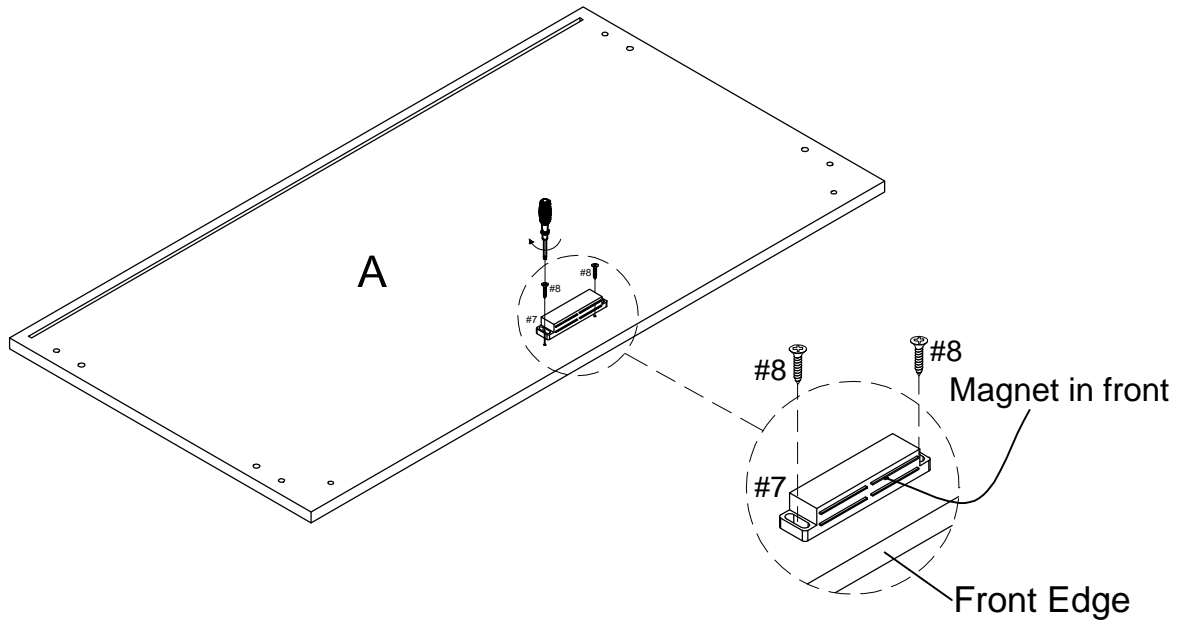
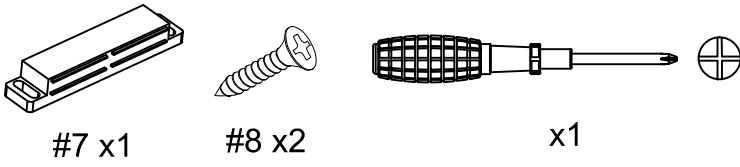
Step 1.



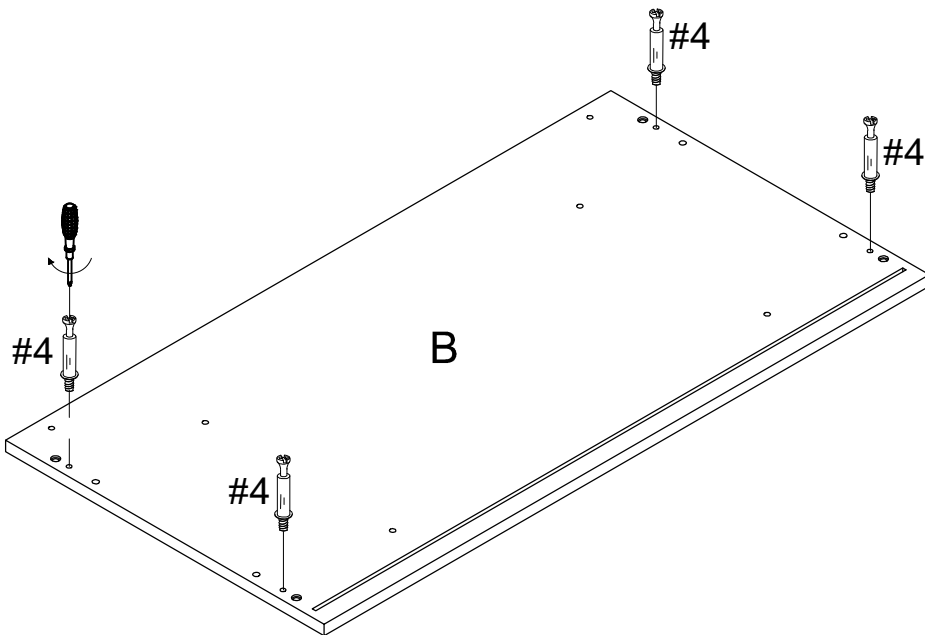
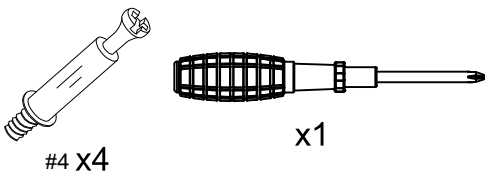
Step 2.



Step 3.



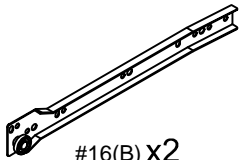
Step 4.



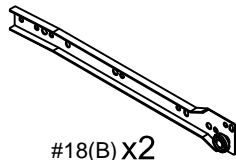
Step 5.



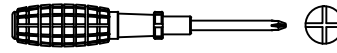
#10 x8



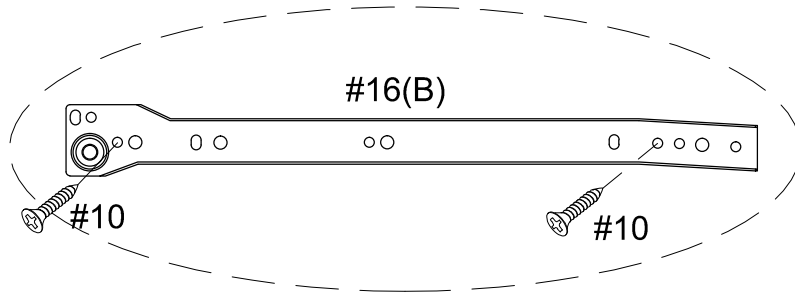
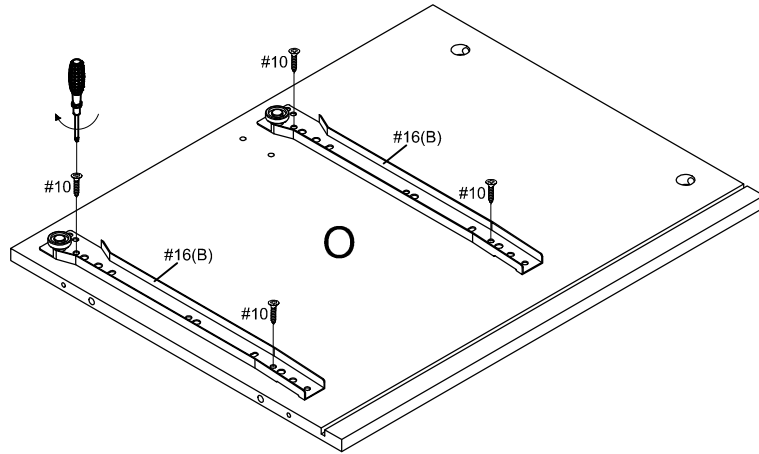
#16(B) X2



#18(B) X2



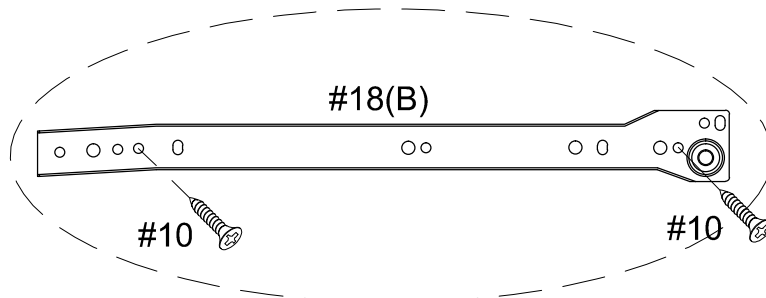
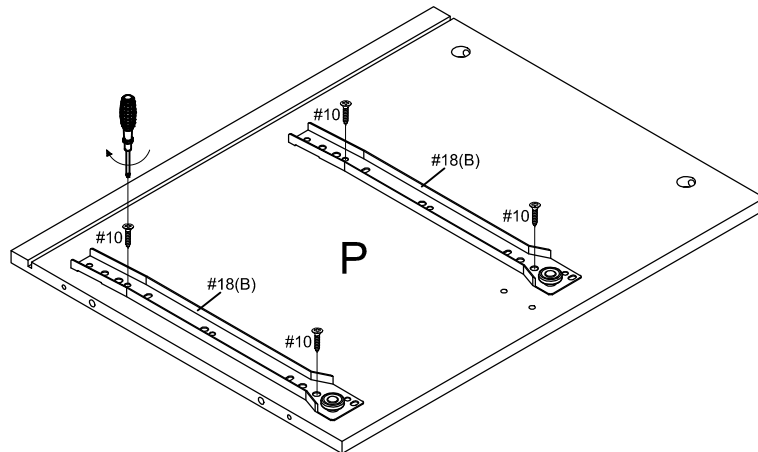
x1



#16(B)

#10

#10

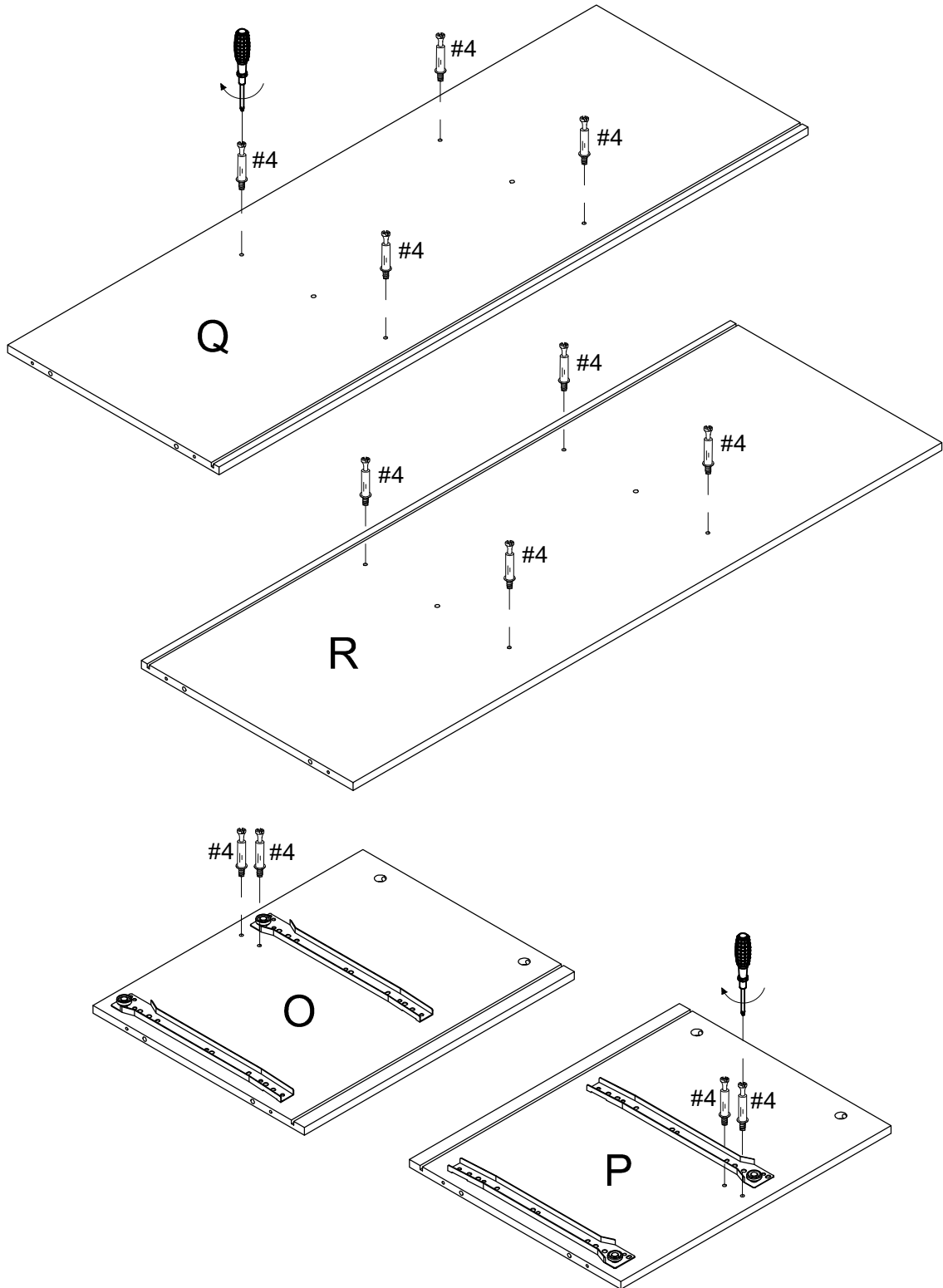
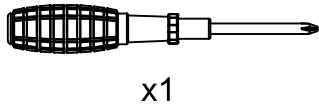


#18(B)

#10

#10

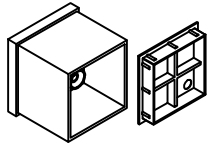
Step 6.



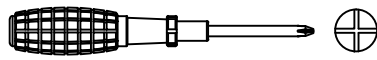
Step 7.



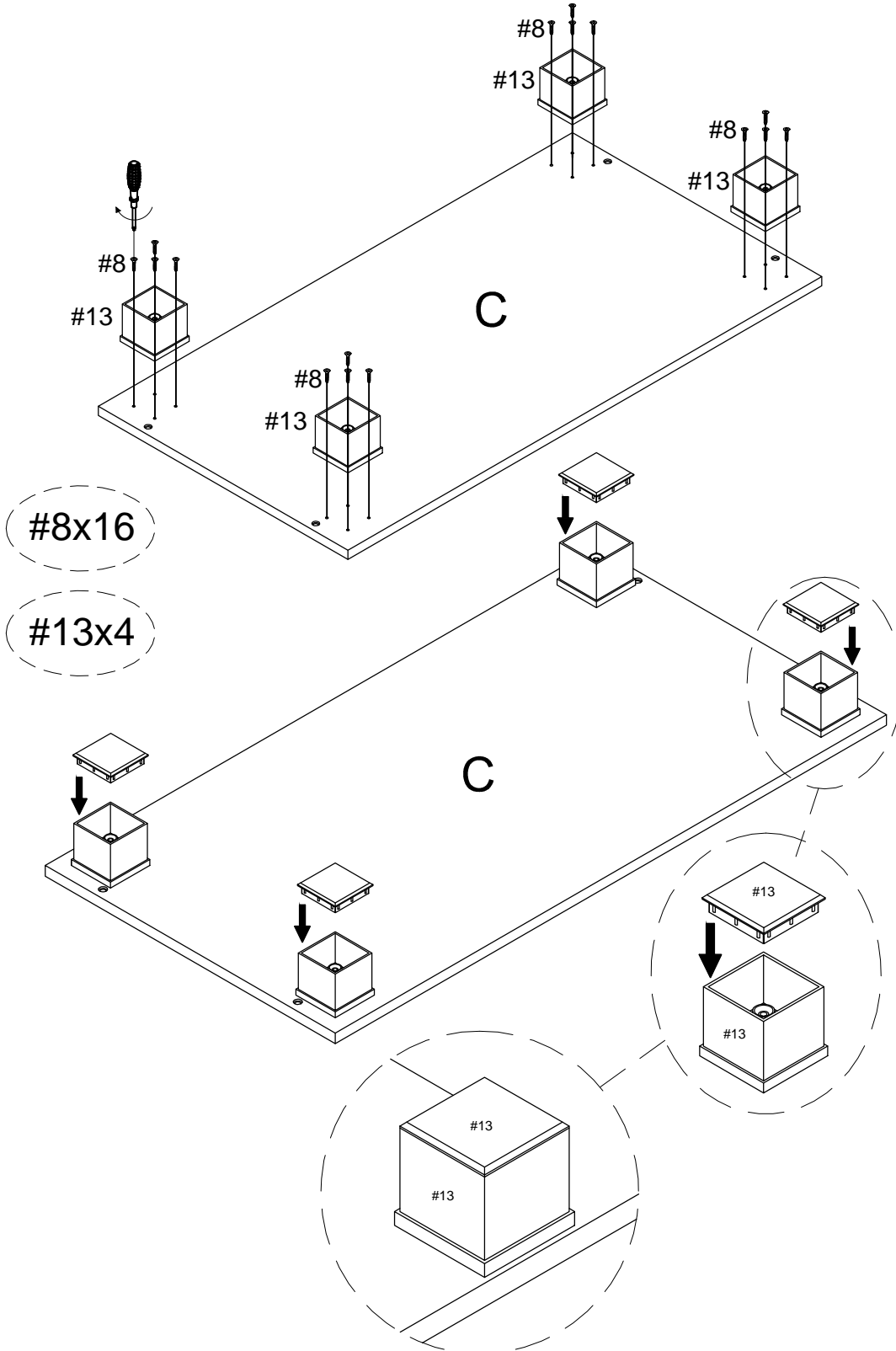
#8 x16



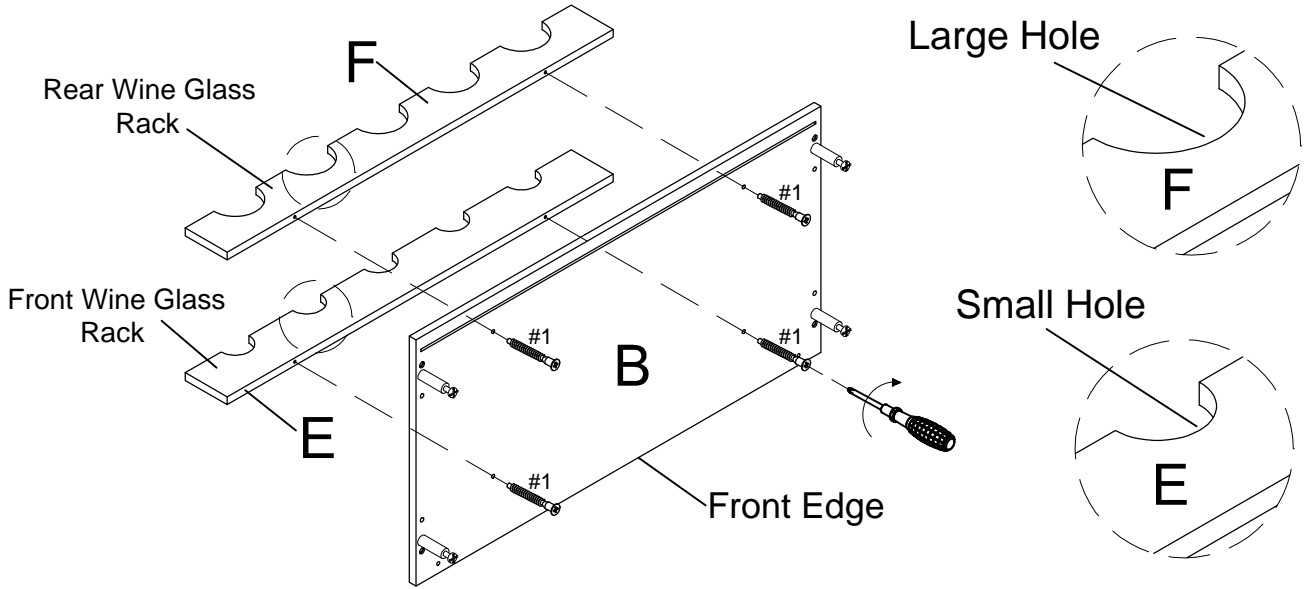
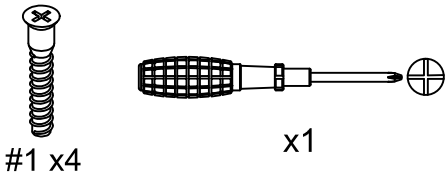
#13 x4



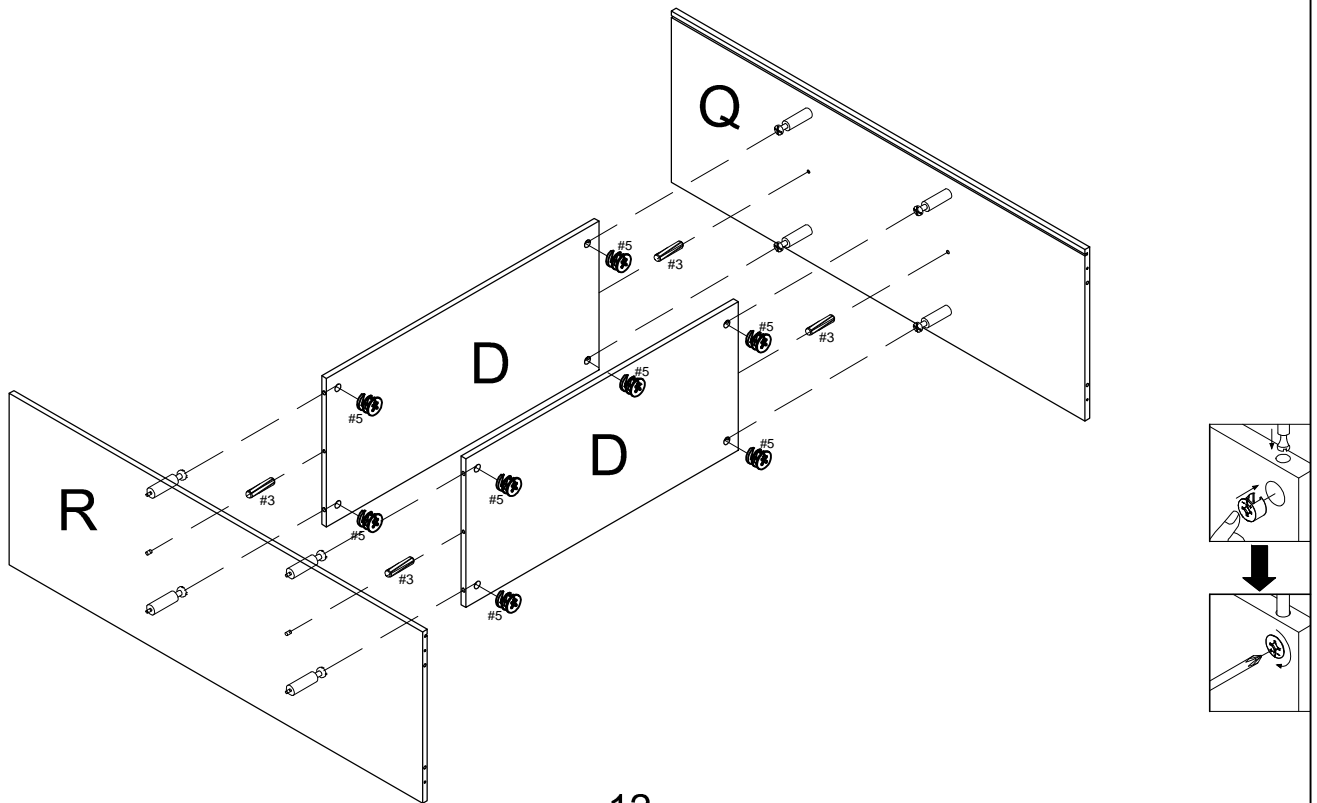
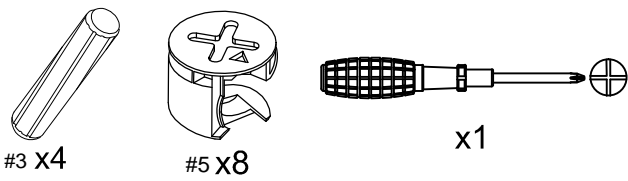
x1



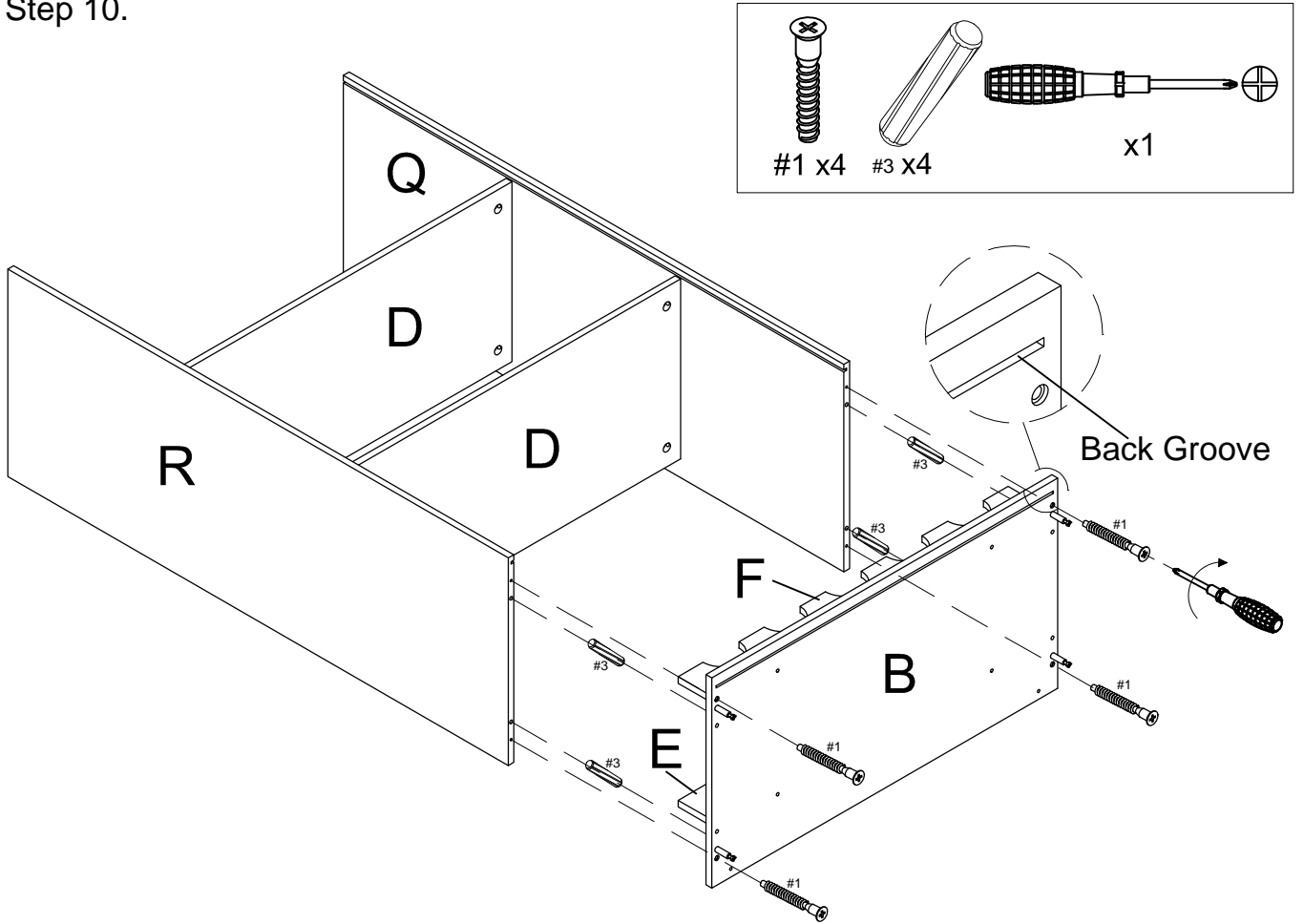
Step 8.



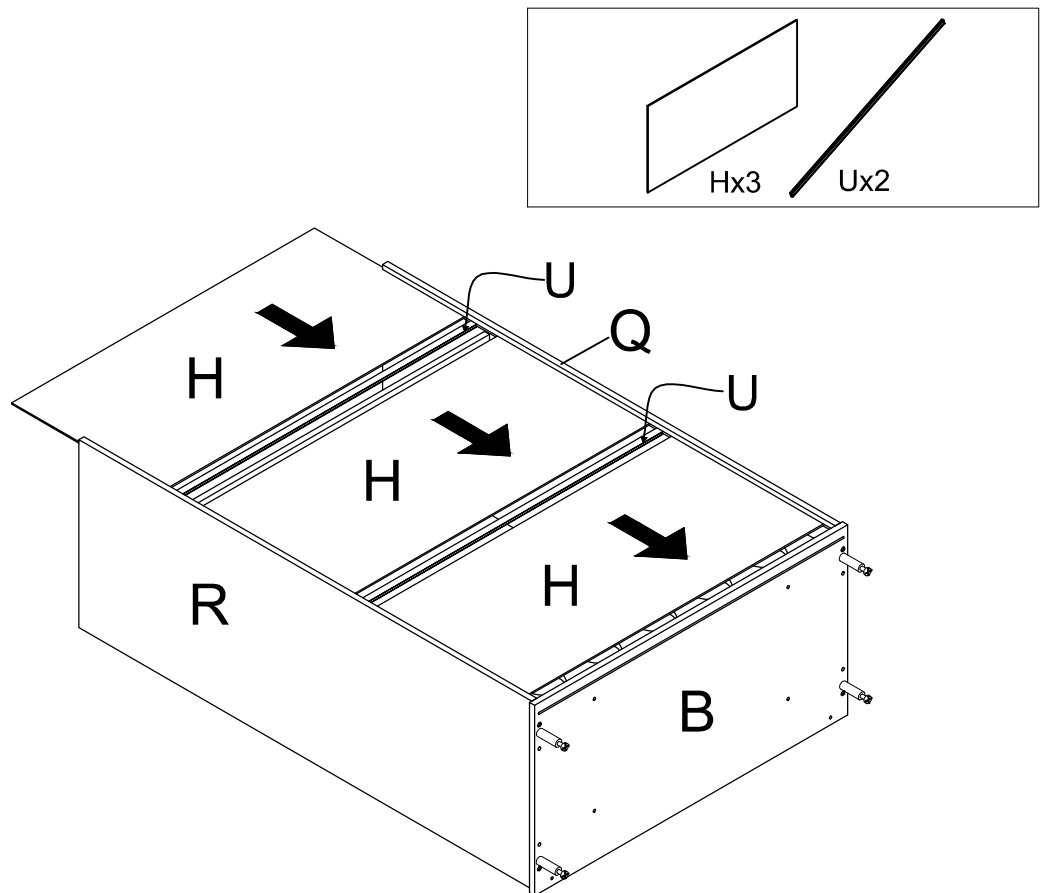
Step 9.



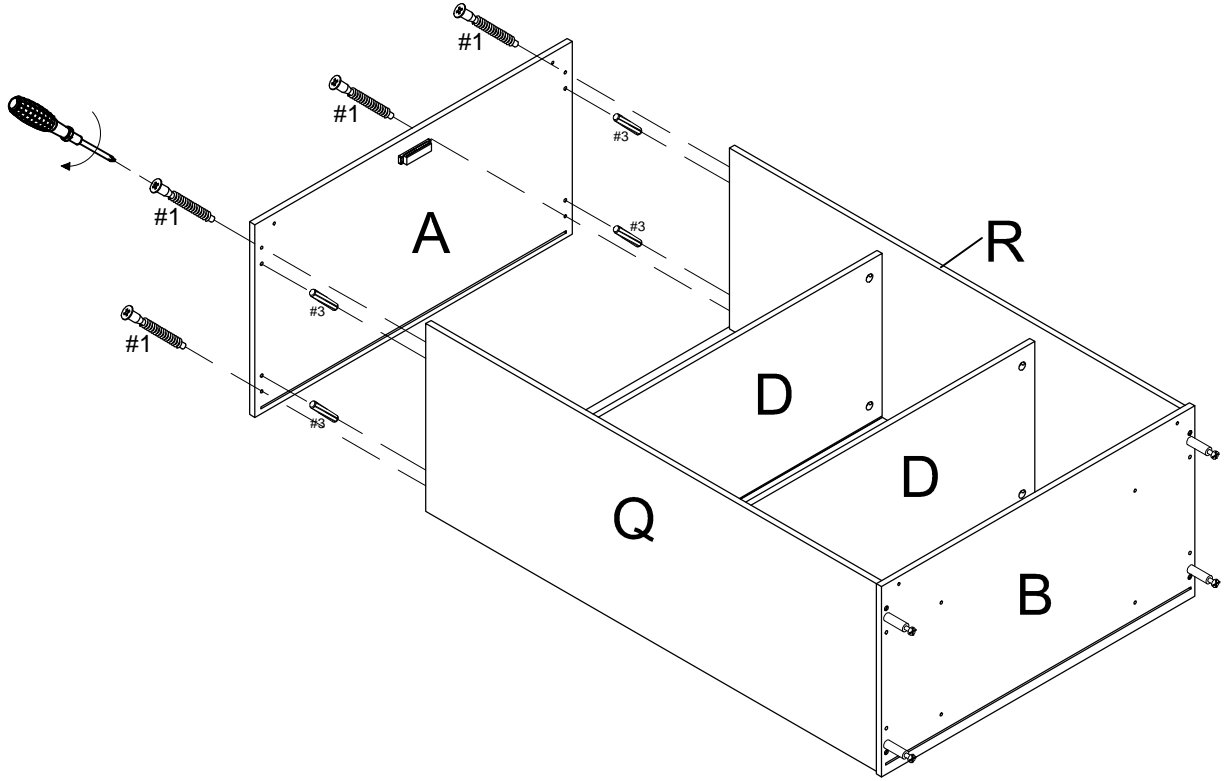
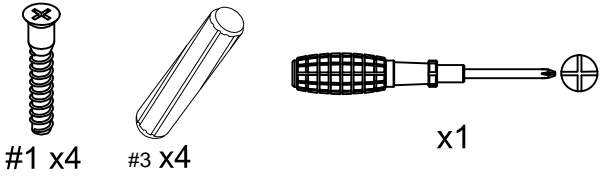
Step 10.



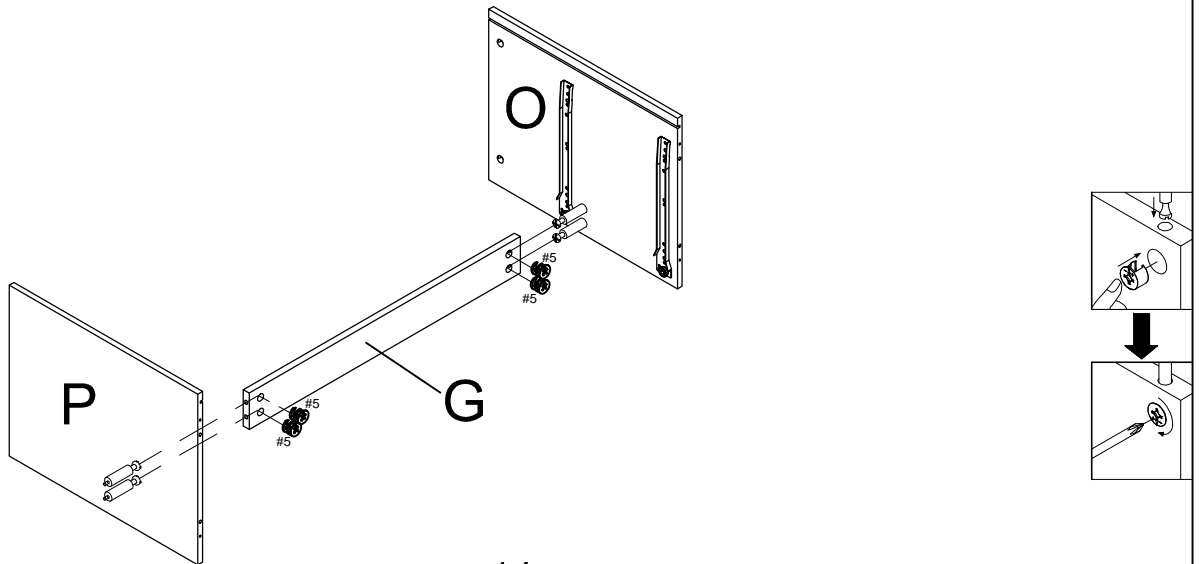
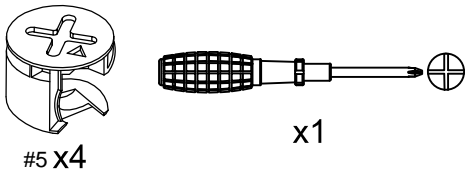
Step 11.



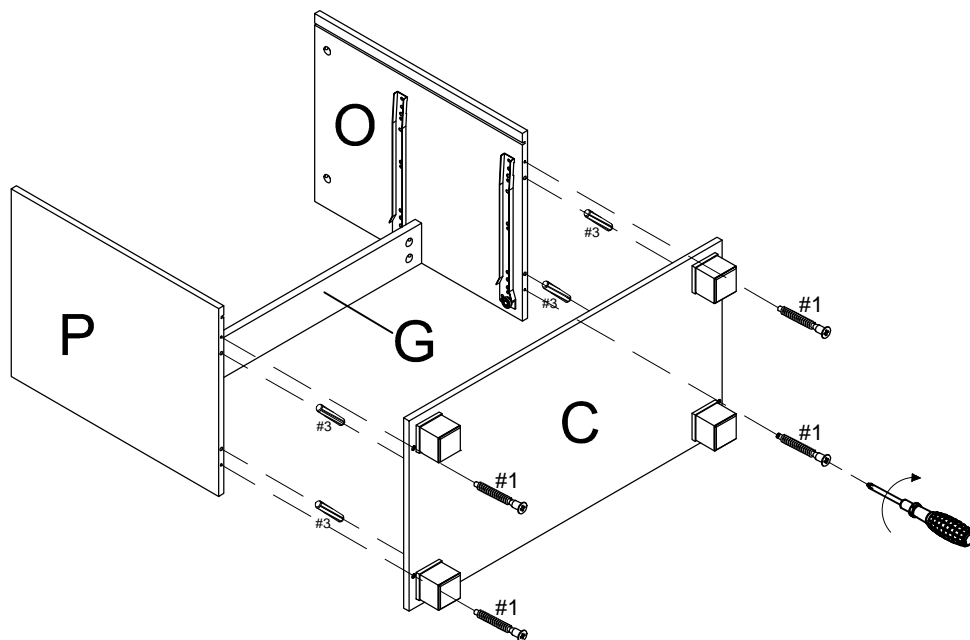
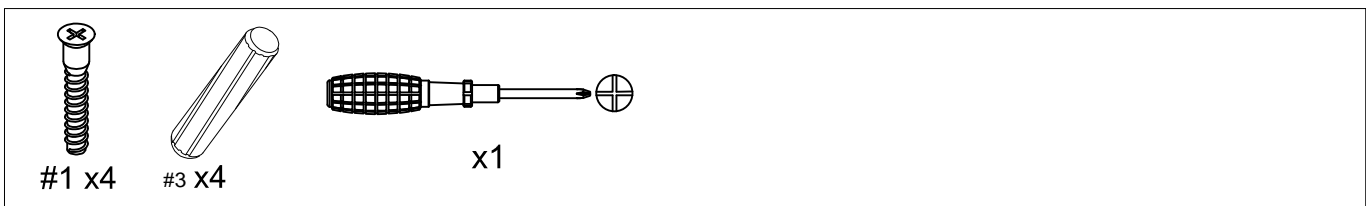
Step 12.



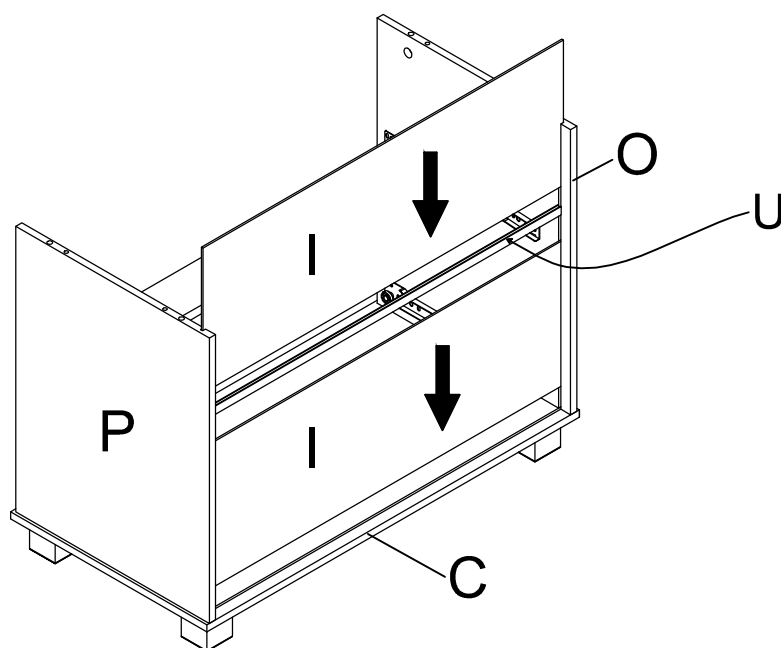
Step 13.



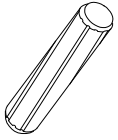
Step 14.



Step 15.



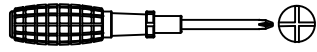
Step 16.



#3 x4



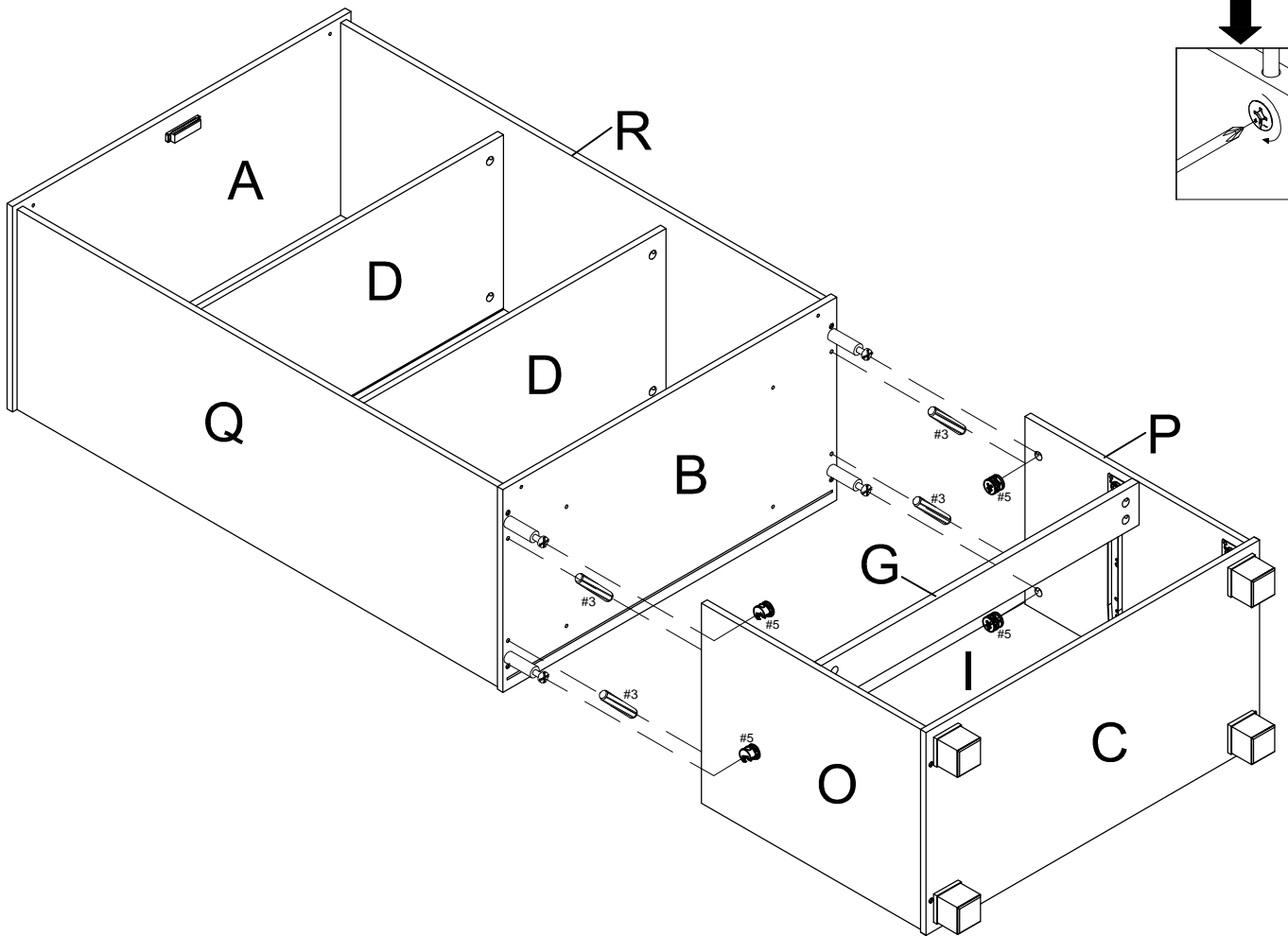
#5 x4



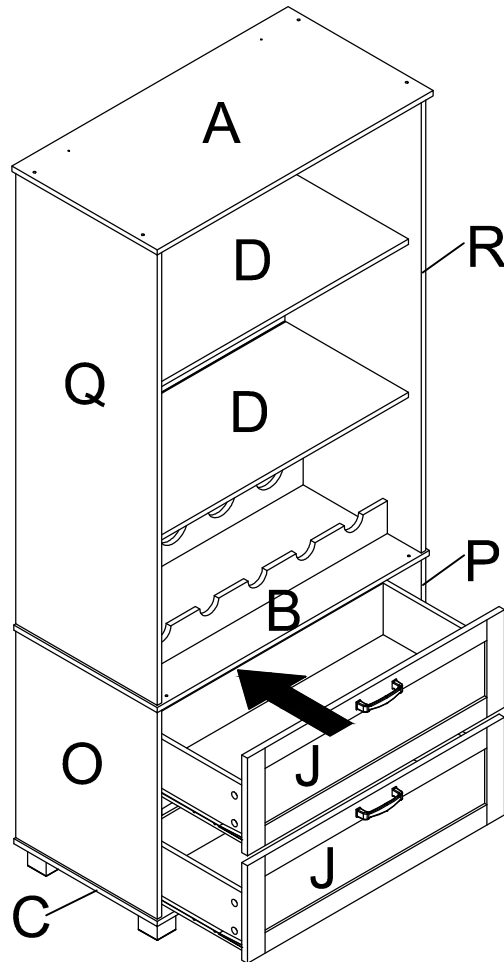
x1

Note:

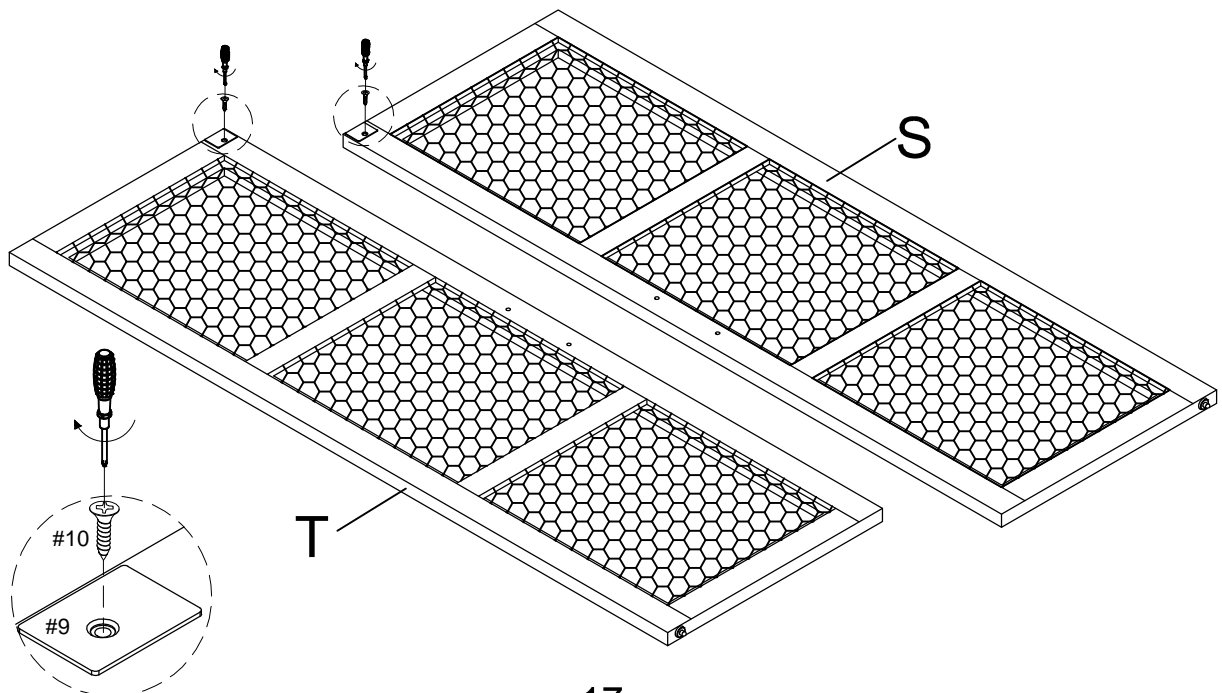
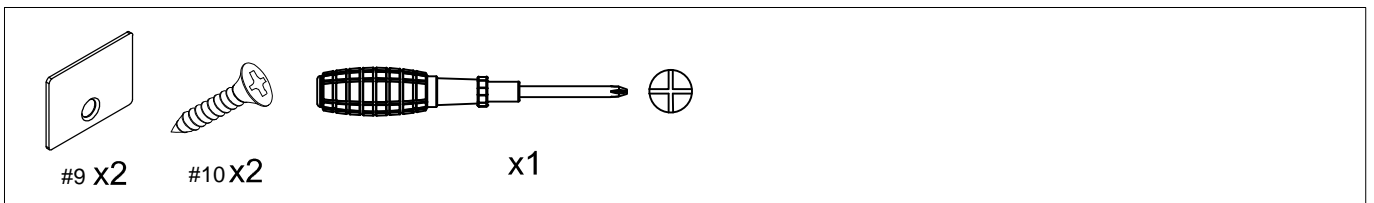
1. The groove on B needs to be aligned with I.
2. Fully tighten #5 or it will cause wobble.



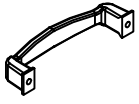
Step 17.



Step 18.



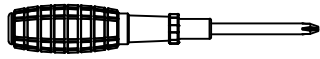
Step 19.



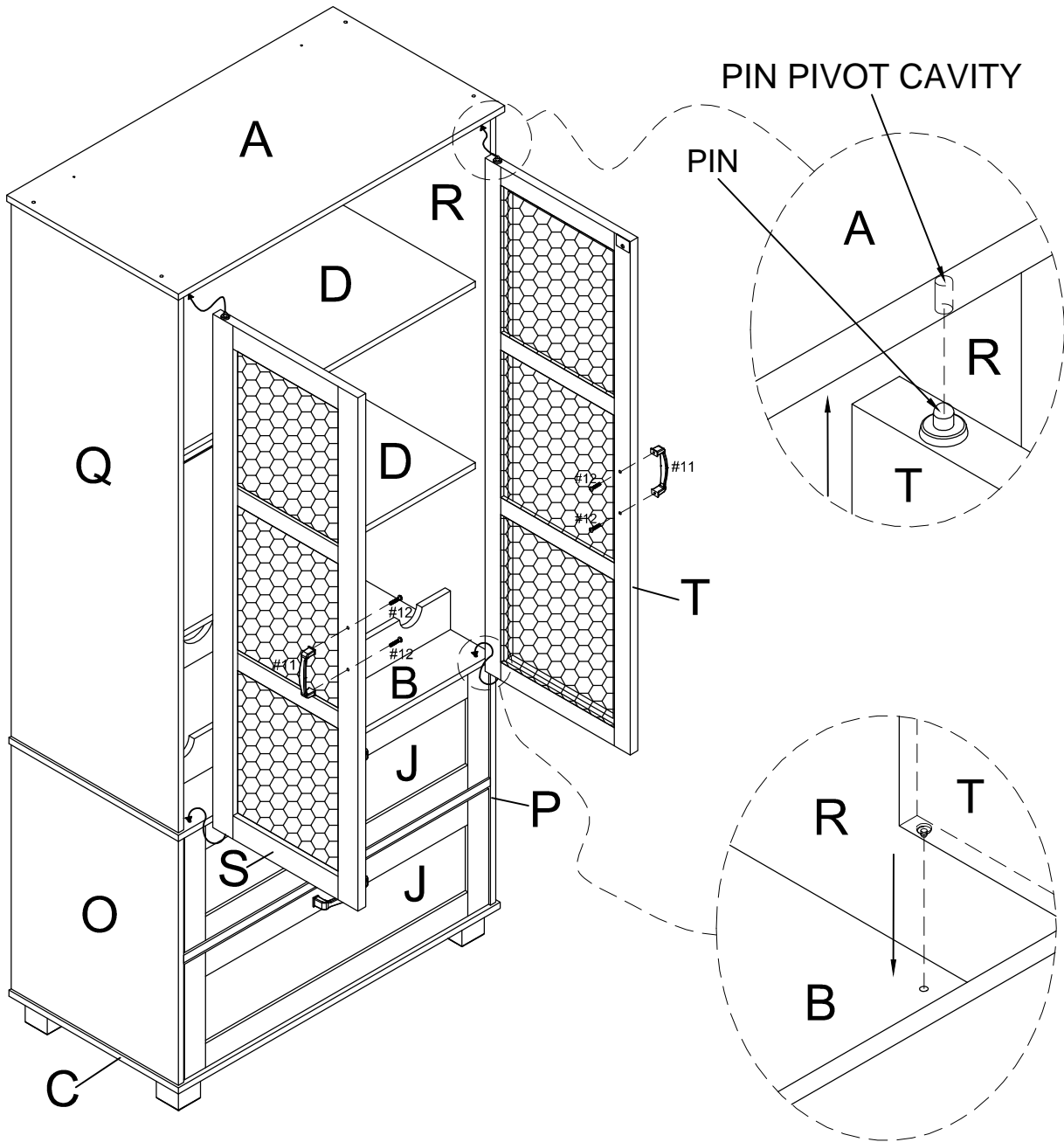
#11 X2



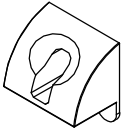
#12 X4



x1



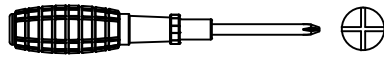
Step 20.



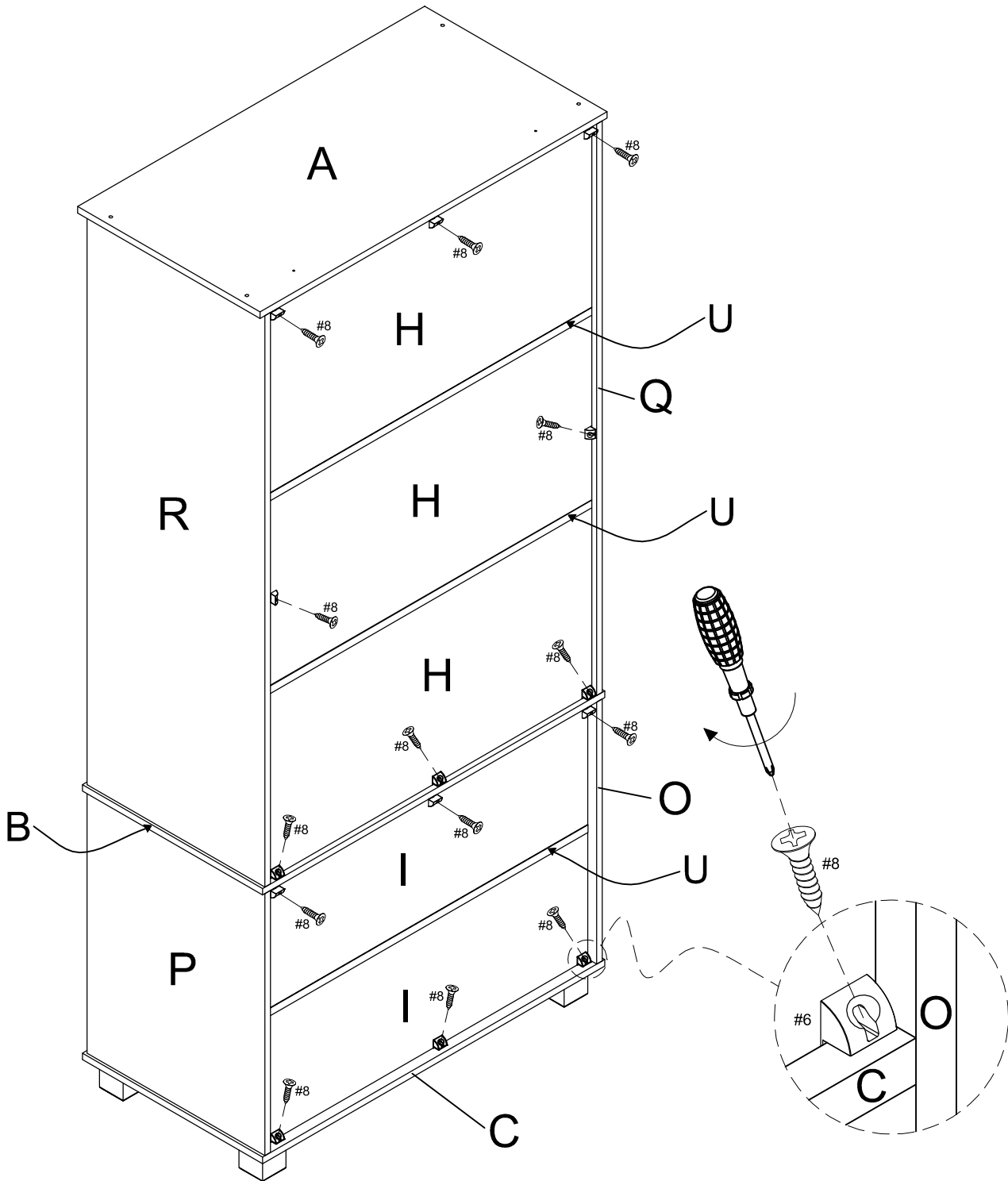
#6 x14



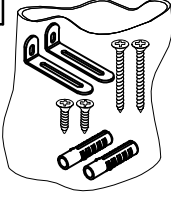
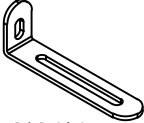
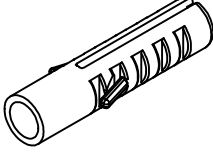
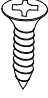

#8 x14



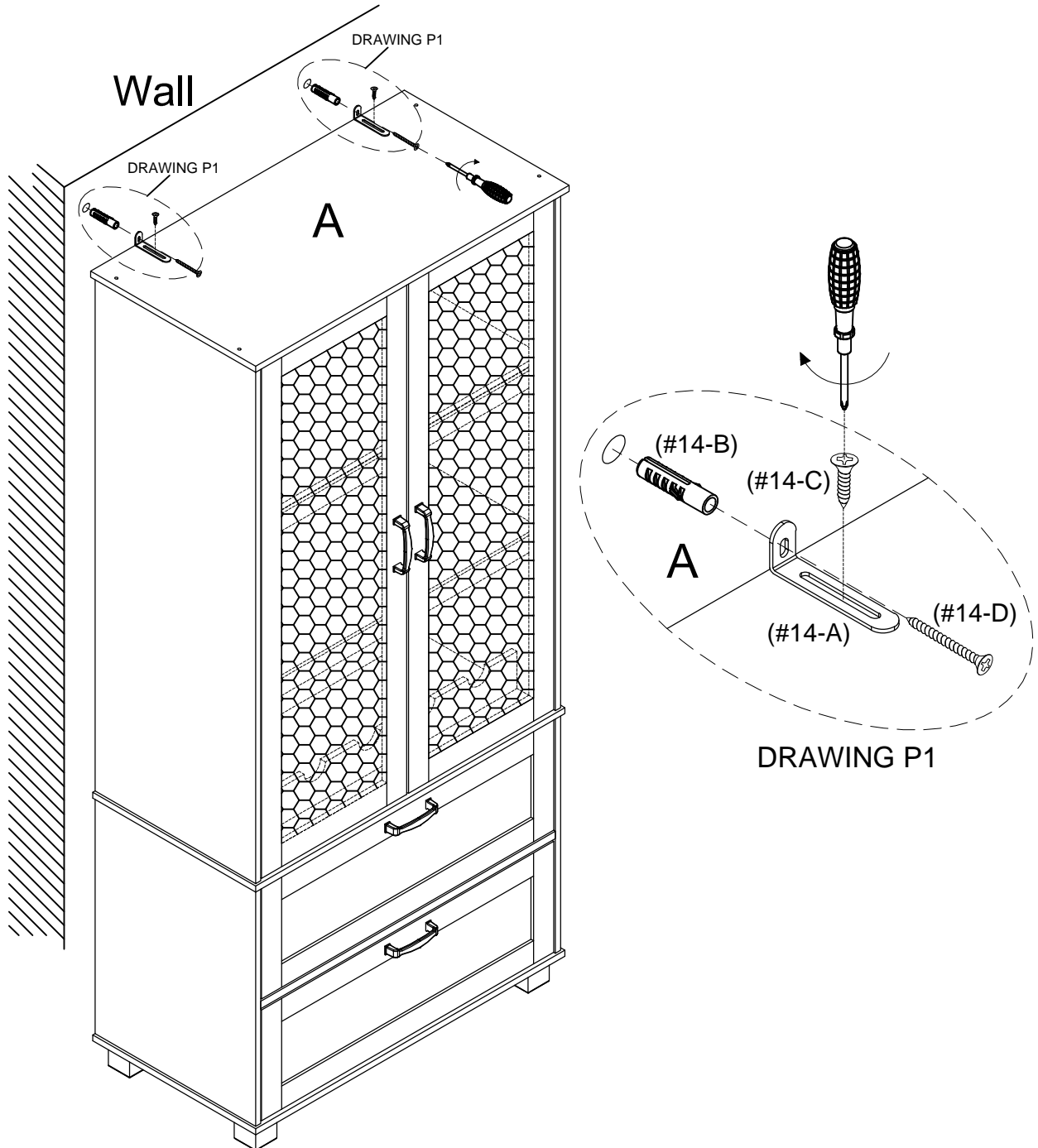
x1



Step 21.

#14		#14-A	#14-B	#14-C	#14-D
Safety Strap Kit	 72*24*1.5mm Angel Iron	 Wall Anchor	 Ø3.5*15mm Short Screw	 Ø4*40mm Long Screw	
1 SET	2 PCS	2 PCS	2 PCS	2 PCS	

Safety strap kit (#14) must be installed to prevent tipping, damage and/or injury.



The assembly of the cabinet is complete.

Warning:

Seller is responsible for the product-related issues occurred upon receipt, but will not be responsible for the personal injury, property damage or loss resulting from the incorrect assembly, improper use, inadequate maintenance or neglect of this product.