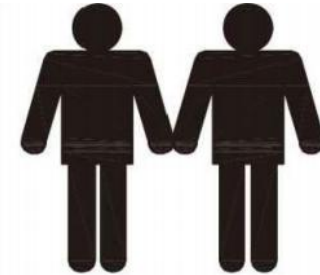
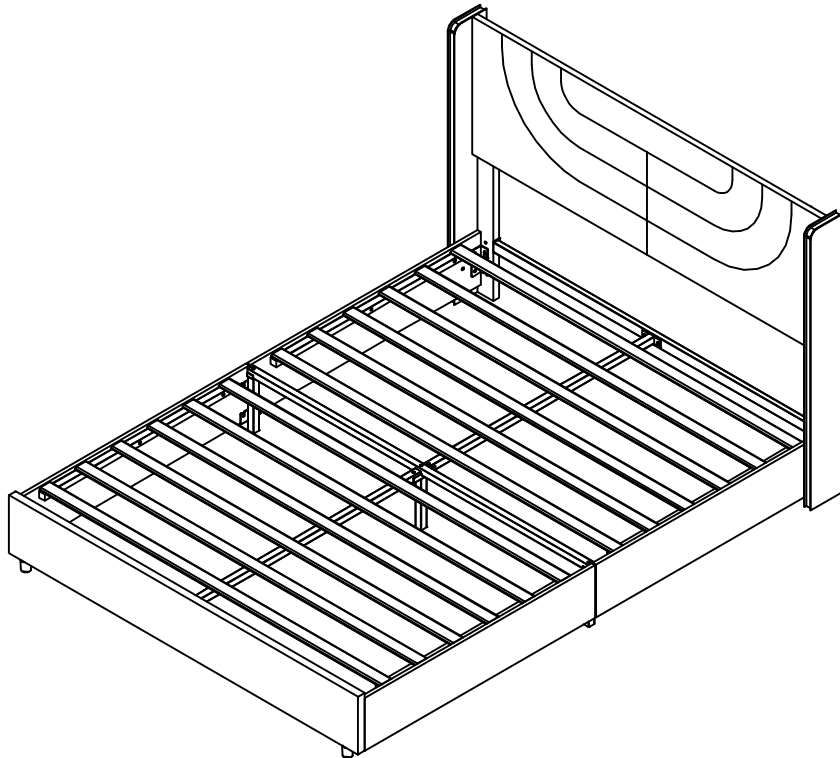


Assembly Instruction

Note:

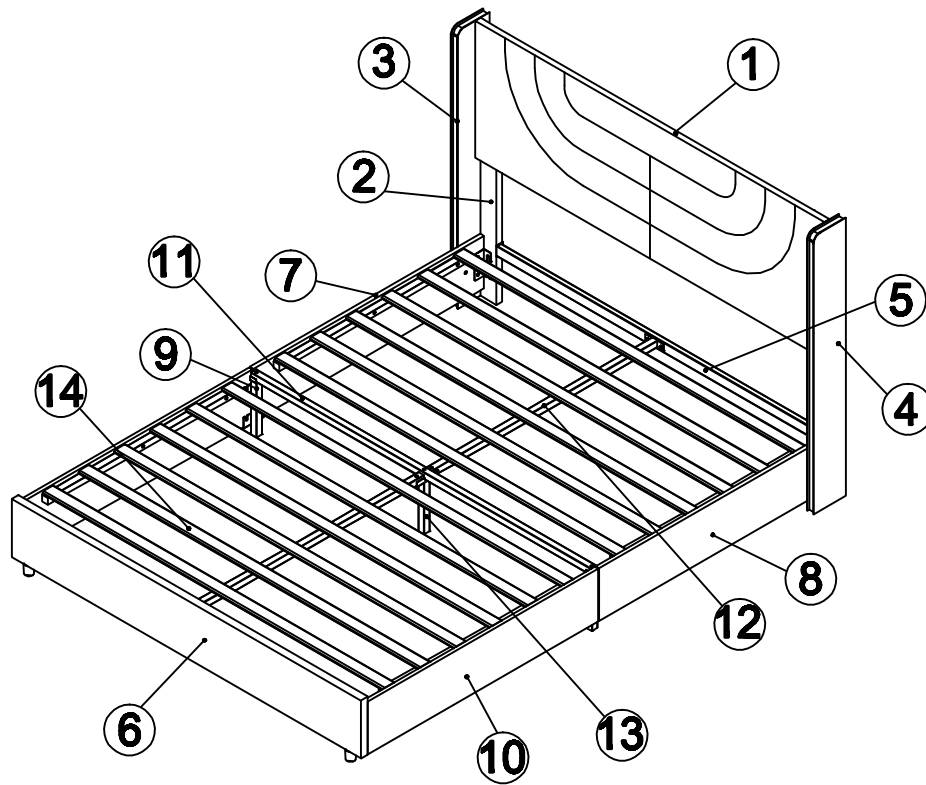
- 1. Should be assembled on flat ground to keep balance.**
- 2. Before completing the installation, do not tighten the screws.**



It needs at least two people to install.







Before starting the assembly, you must read the whole manual and follow the instructions.

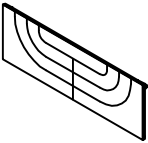




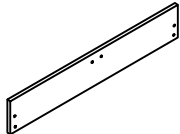
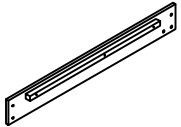
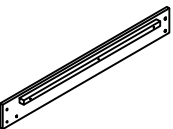

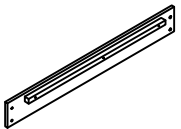
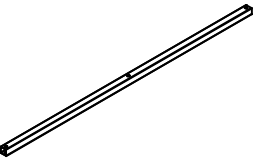
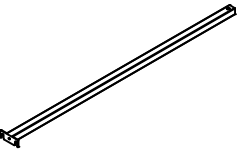
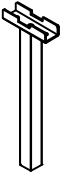
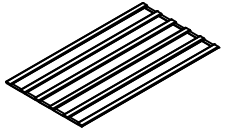

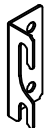

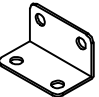


Assembly Instruction



Hardware arts

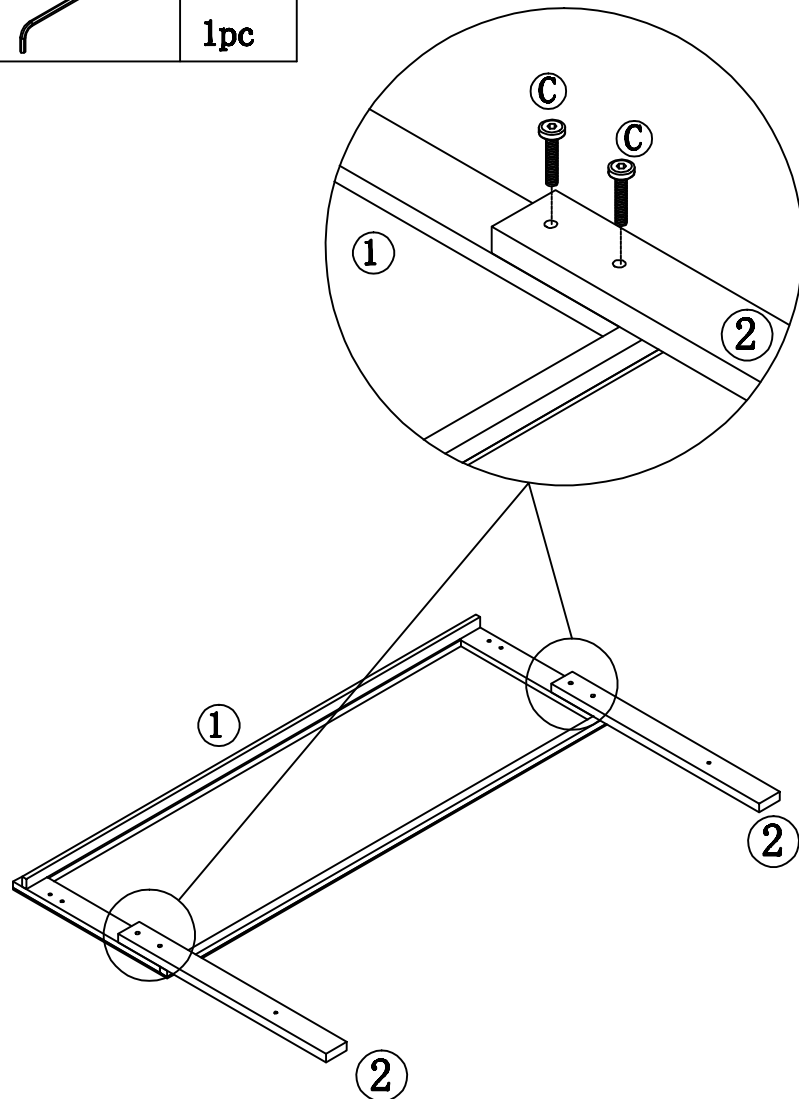
 <p>A M8x20 38pcs</p>	 <p>B M8x35 6pcs</p>	 <p>C M8x45 5pcs</p>	 <p>D 4#</p>			
---	--	--	--	--	--	--



Part list

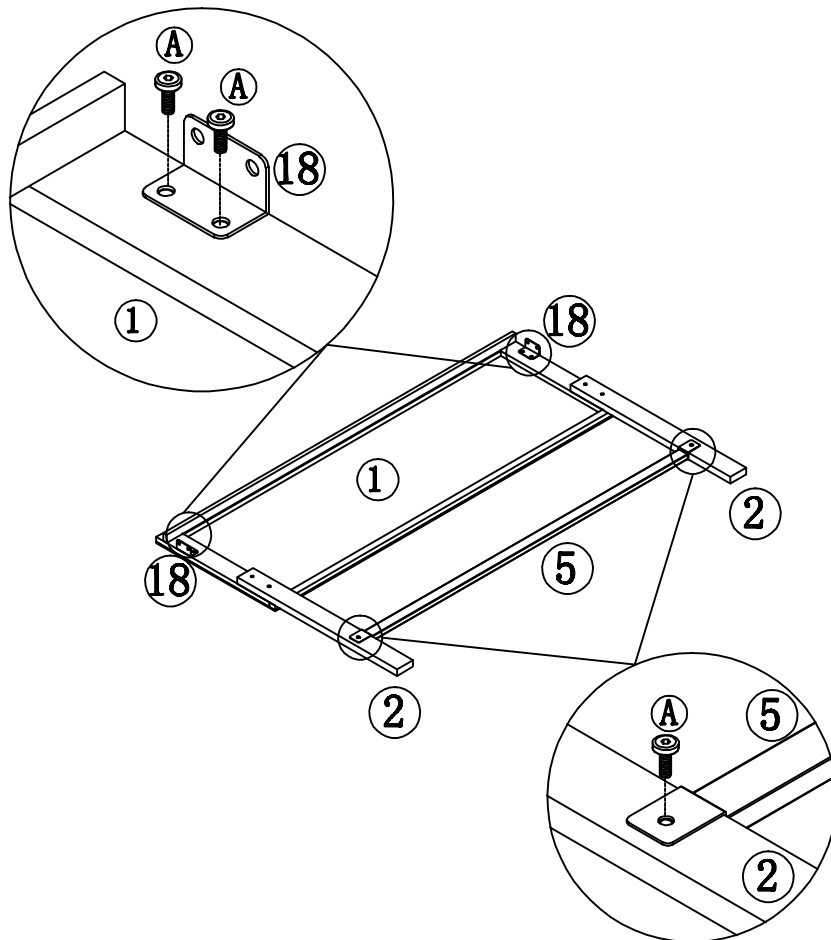
 <p>1 1 PC</p>	 <p>2 2 PCS</p>	 <p>3 1 PC</p>	 <p>4 1 PC</p>	 <p>5 1 PC</p>	 <p>6 1 PC</p>	 <p>7 1 PC</p>
 <p>8 1 PC</p>	 <p>9 2 PCS</p>	 <p>10 2 PCS</p>	 <p>11 1 PC</p>	 <p>12 2 PCS</p>	 <p>13 1 PCS</p>	 <p>14 2 PCS</p>
 <p>15 1 PC</p>	 <p>16 2 PCS</p>	 <p>17 2 PCS</p>	 <p>18 2 PCS</p>			<p>Page 3/10</p>

Assembly Instruction



C	 M8x45	4pcs
D		1pc

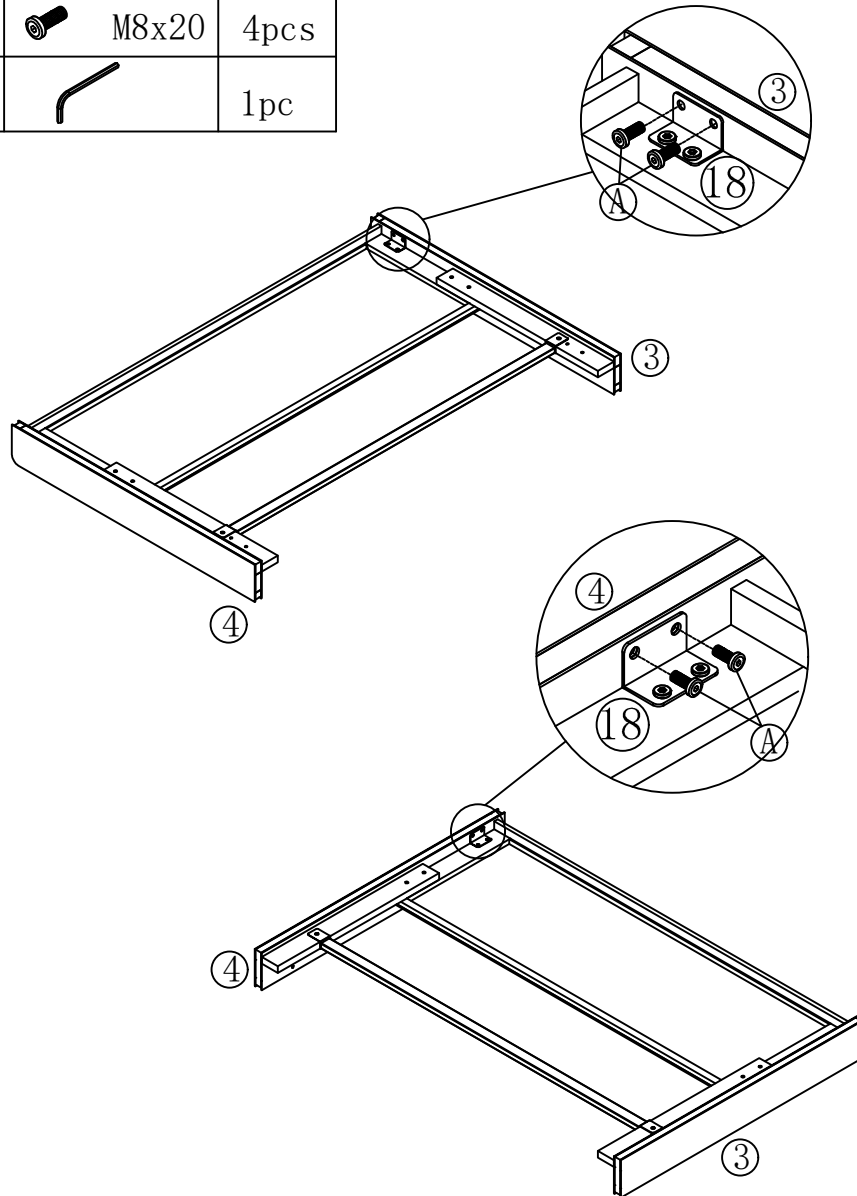




A	 M8x20	6pcs
D		1pc

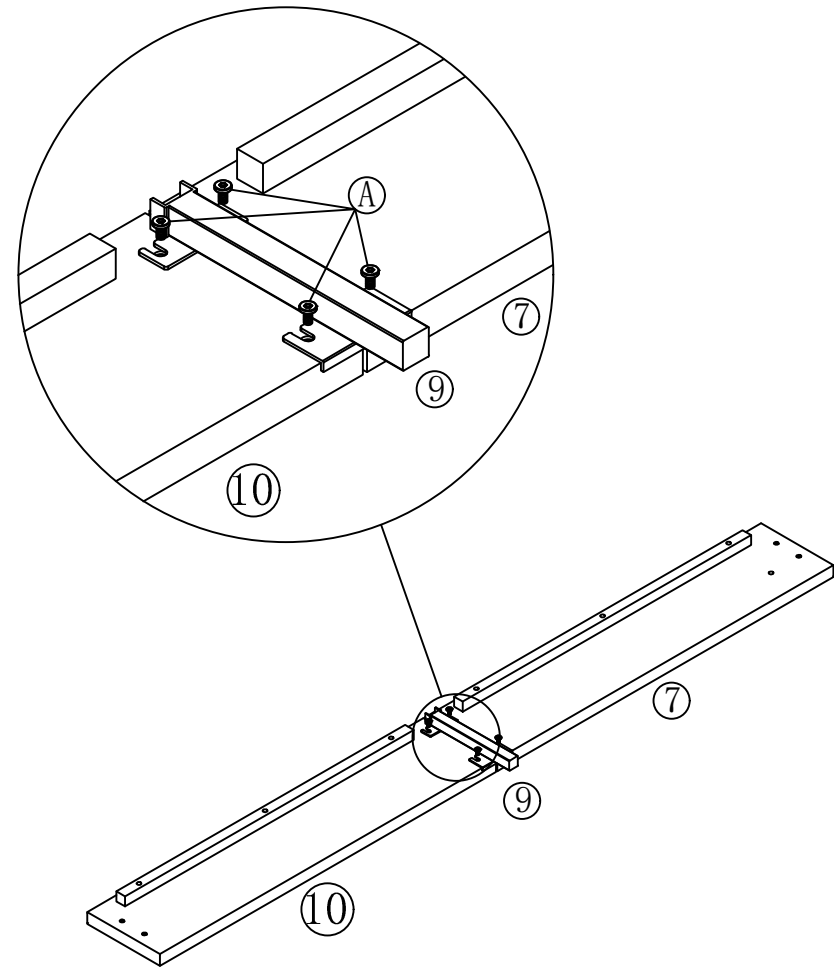


Assembly Instruction



A	 M8x20	4pcs
D		1pc

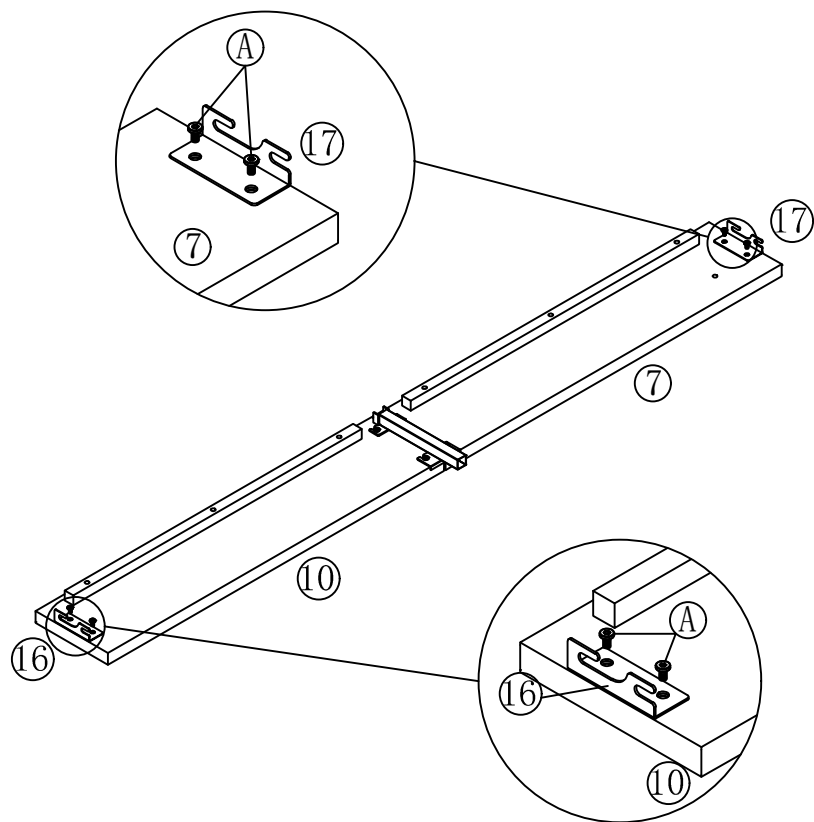




A	 M8x20	4pcs
D		1pc

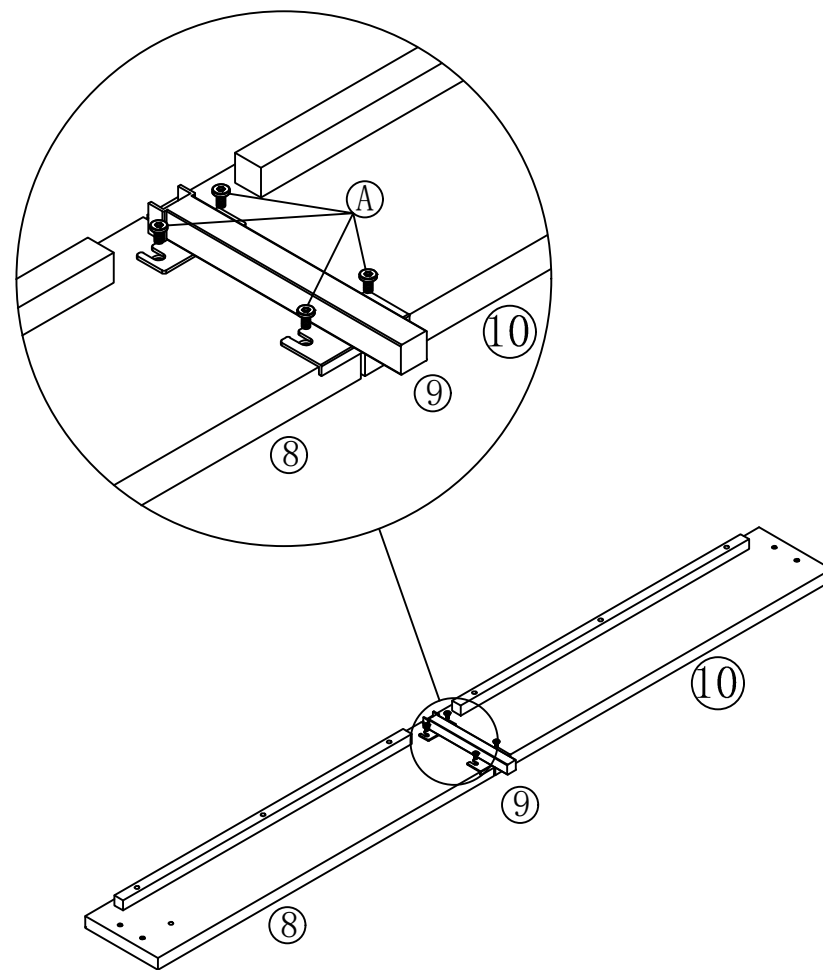


Assembly Instruction



A	 M8x20	4pcs
D		1pc

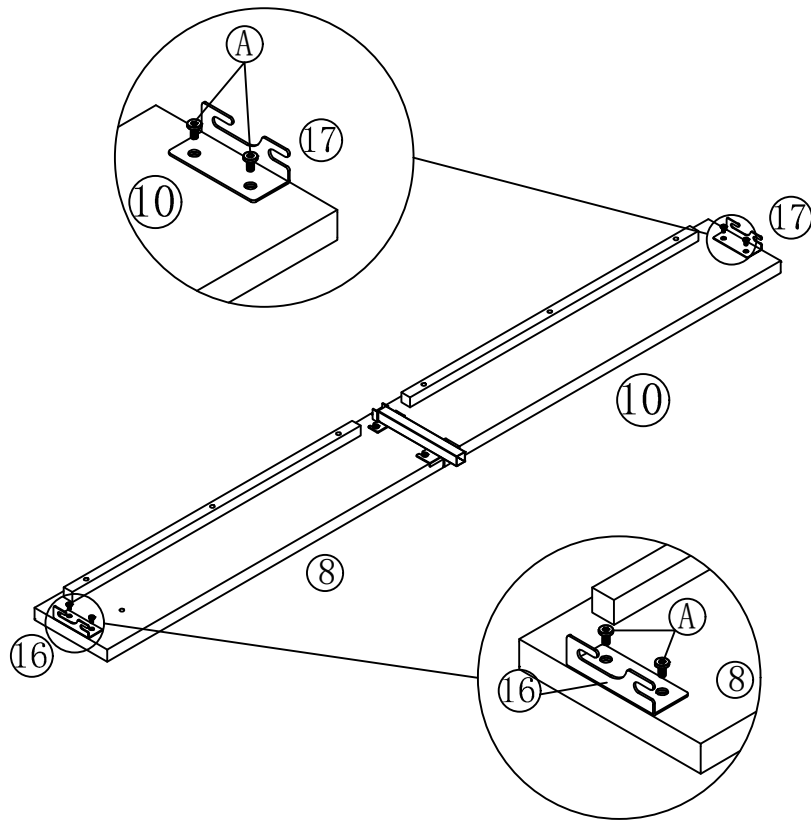




A	 M8x20	4pcs
D		1pc

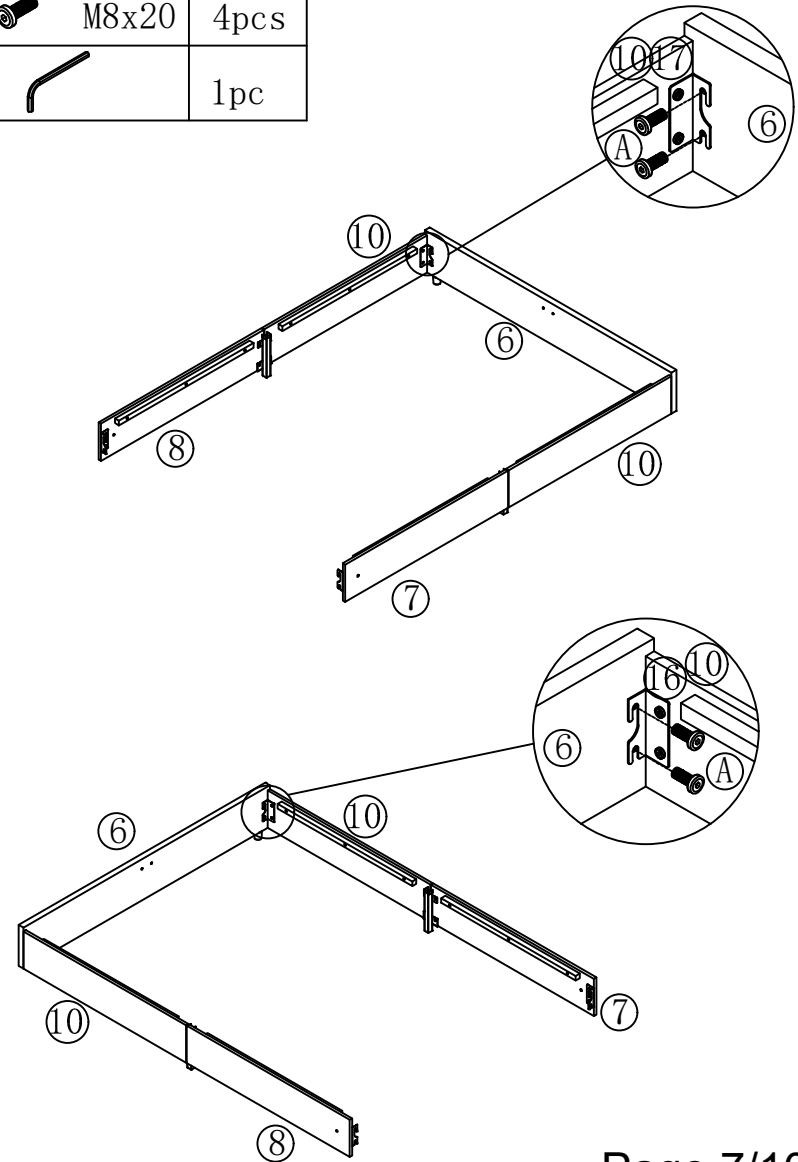


Assembly Instruction




A	 M8x20	4pcs
D		1pc

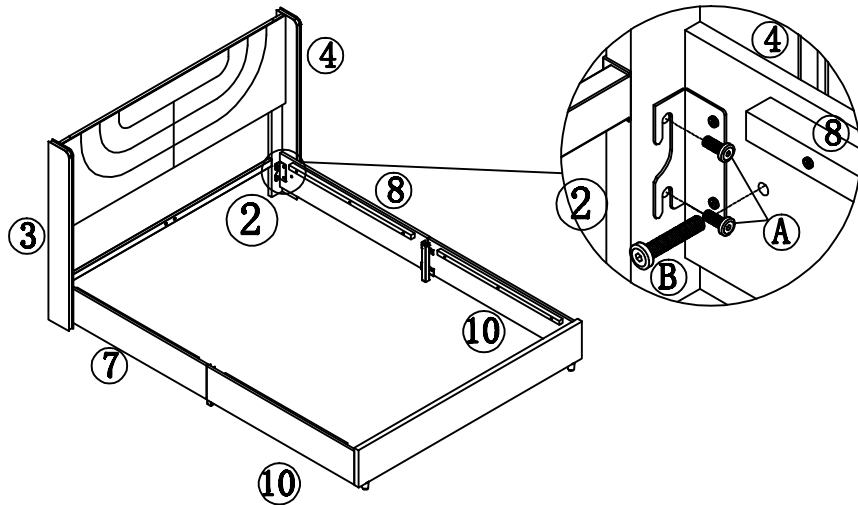
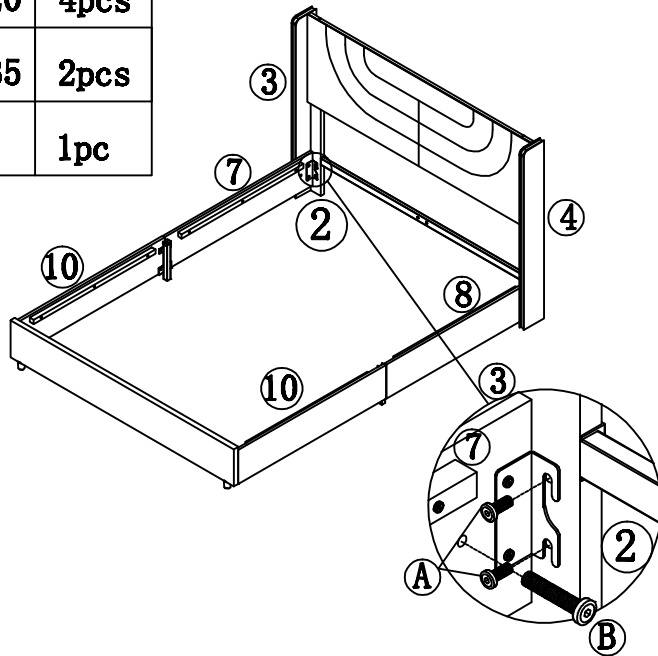





A	 M8x20	4pcs
D		1pc

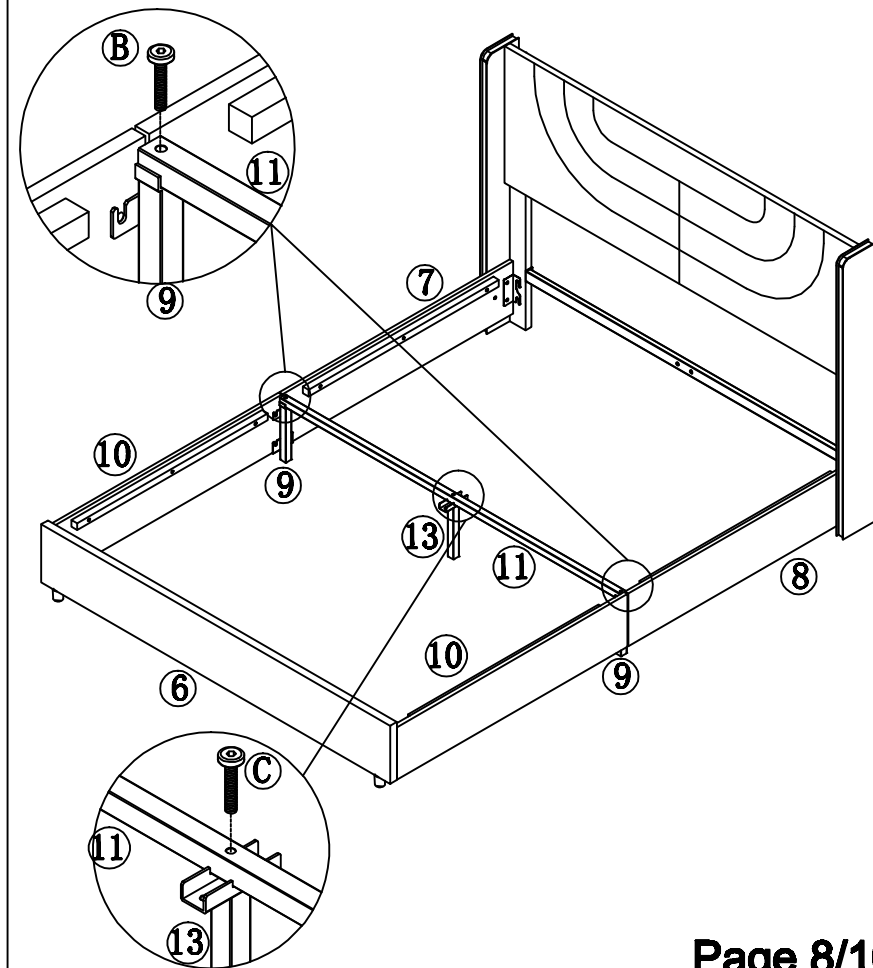


Assembly Instruction




A		M8x20	4pcs
B		M8x35	2pcs
D			1pc

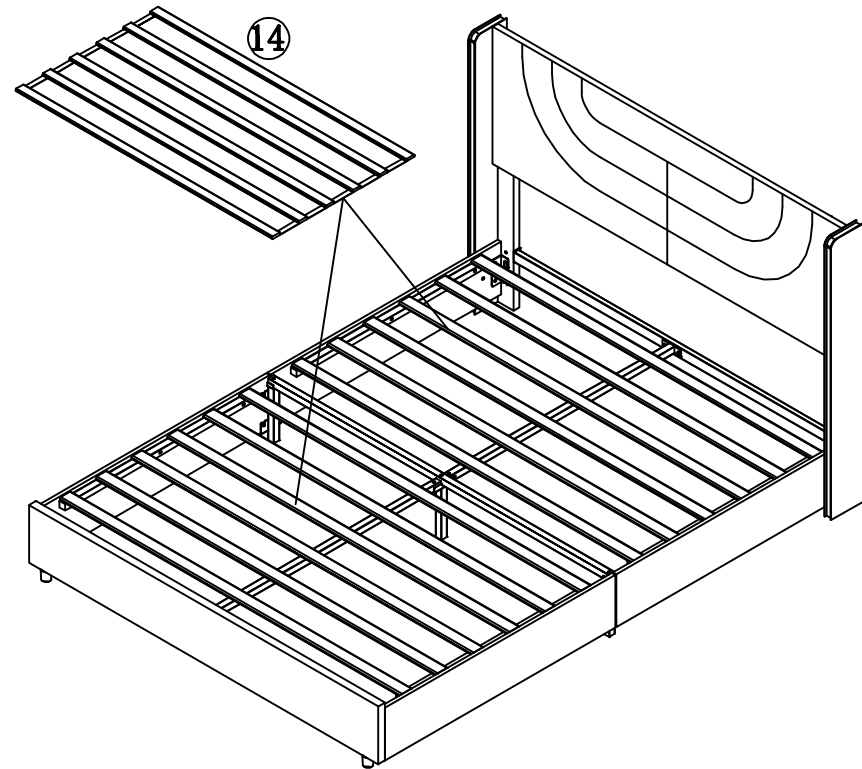
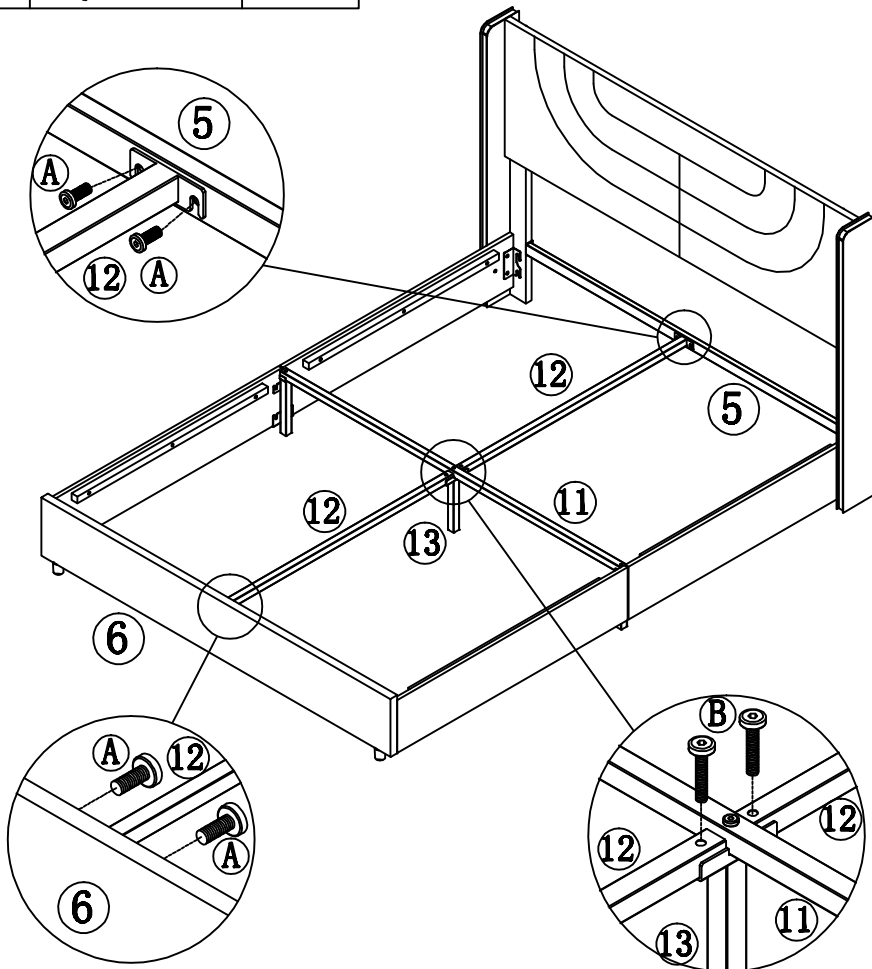


B		M8x35	2pcs
C		M8x45	1pc
D			1pc



Assembly Instruction

A	 M8x20	4pcs
B	 M8x35	2pcs
D		1pc

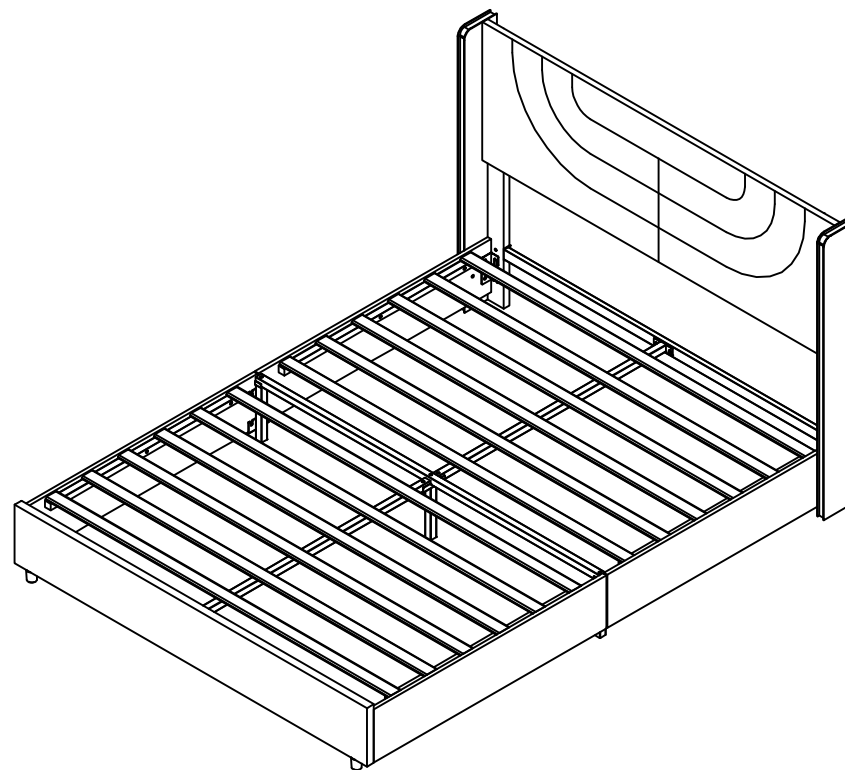
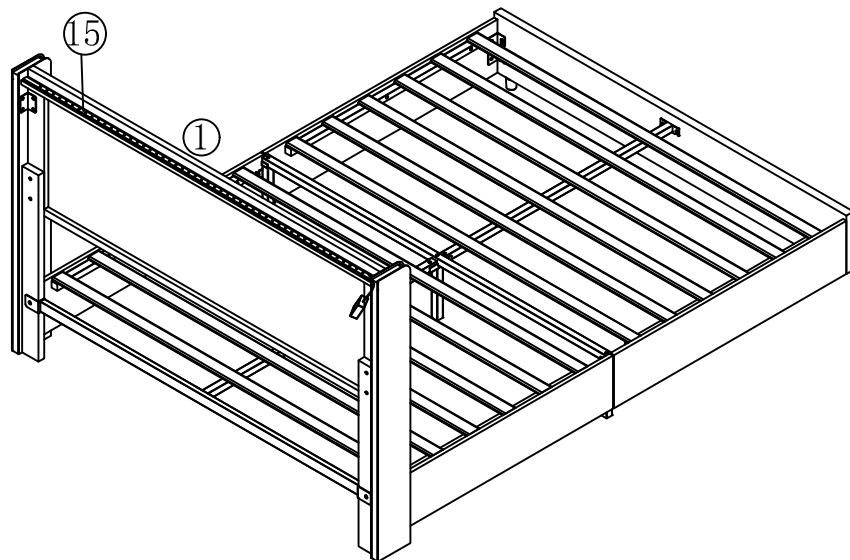


Assembly Instruction

15



1pc



Attach the LED strip to the strip behind the head of the bed ①.