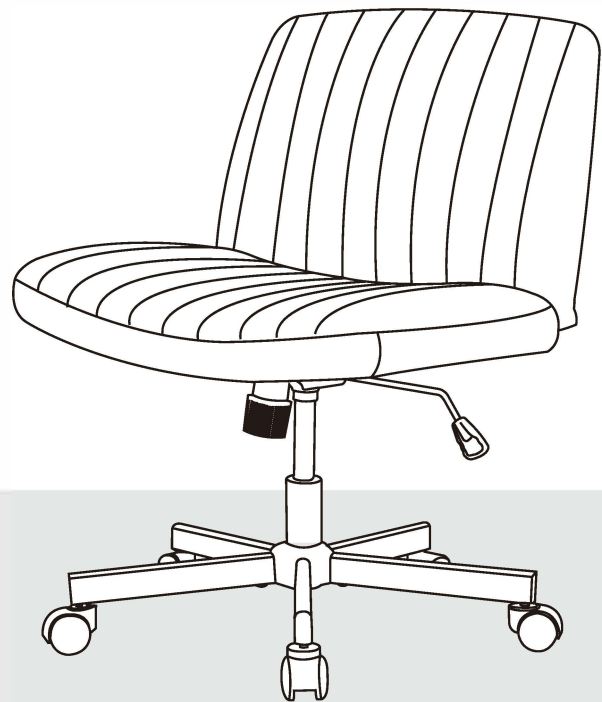


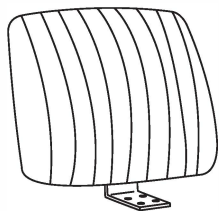
ASSEMBLY INSTRUCTION

Contents

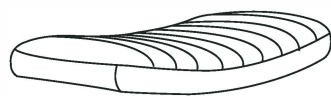
- Instructions
- User Manual
- Cautions



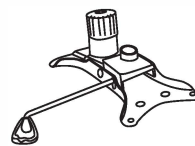
※Please make sure all the parts are included.



BACKREST X1



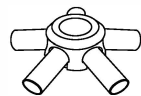
SEAT X1



CONTROL MECHANISM X1



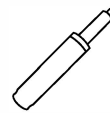
WHEEL X5



CENTRAL BASE X1



BASE LEG X5



GAS LIFT CYLINDER X1



A SEAT BOLT X4



B TILT BOLT X4



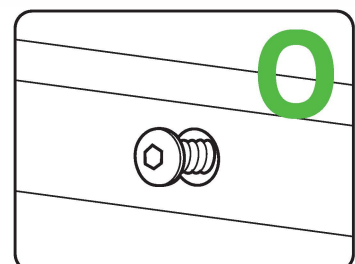
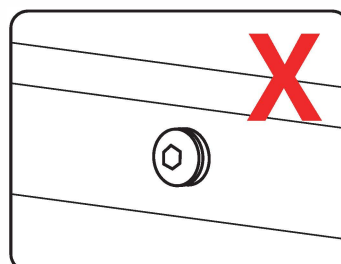
C BASE BOLT X5



D ALLEN KEY X1

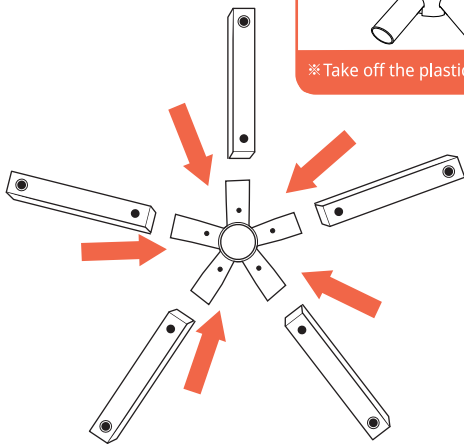
⚠ NOTICE

Do not tighten the bolts all the way before each bolt is in place per step.



• Instructions

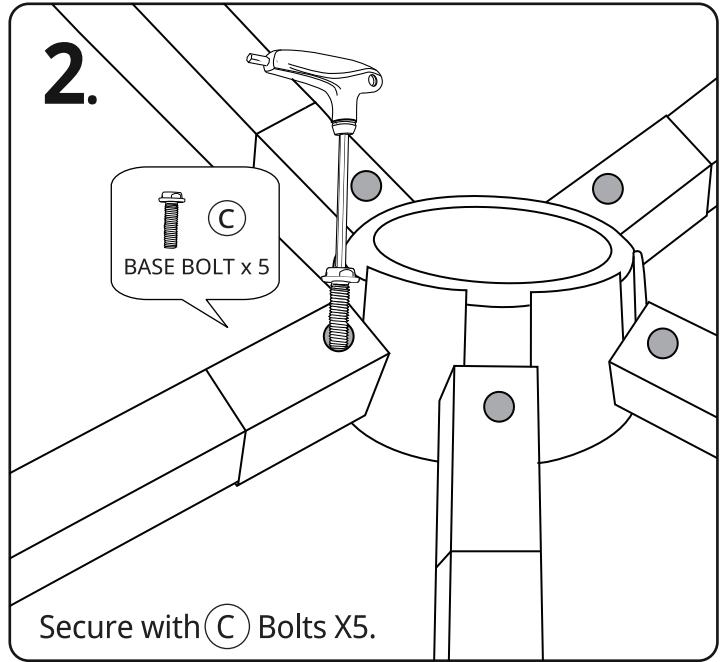
1.



* Take off the plastic cover first

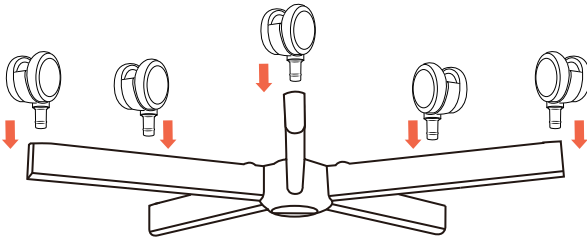
Insert the Base Legs into the Central Base.

2.



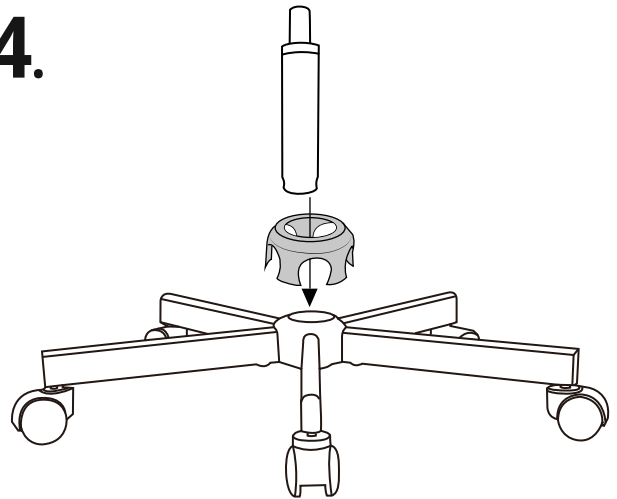
Secure with (C) Bolts X5.

3.



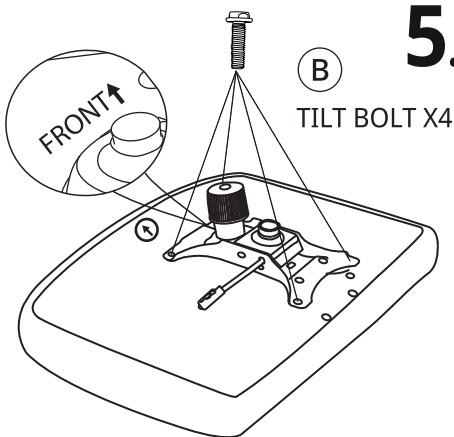
Insert each wheel into the Base Leg while the Base is still upside down.

4.



Turn the base over, and place the plastic cover back on the base. Then, Insert the gas liftcylinder.

5.

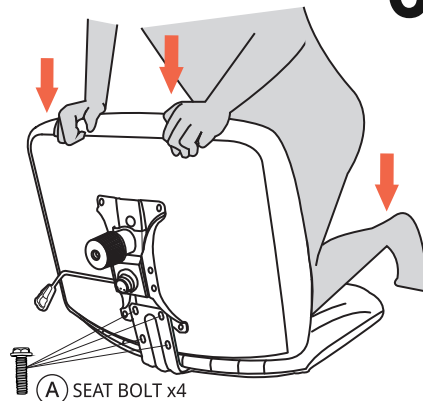


(B) TILT BOLT X4

(*NOTE : Make sure the direction of Mechanism and Seat Cushion are the same.)

Using Allen key, attach Mechanism to the Seat with (B) Bolt X4.

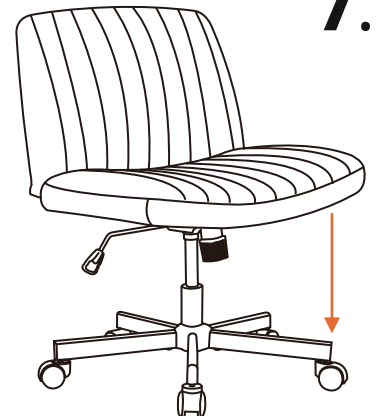
6.



(A) SEAT BOLT x4

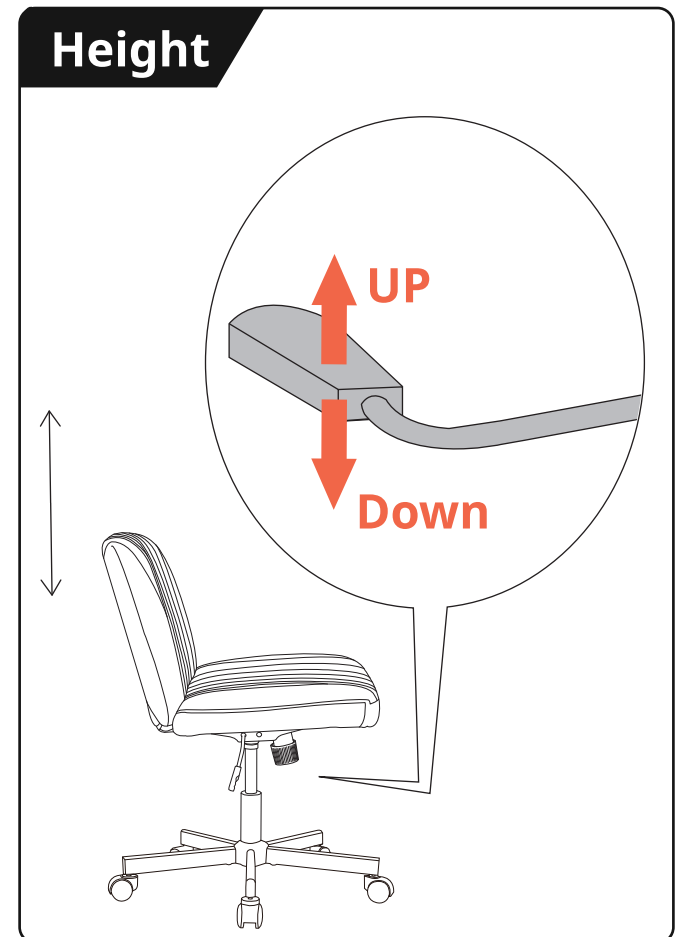
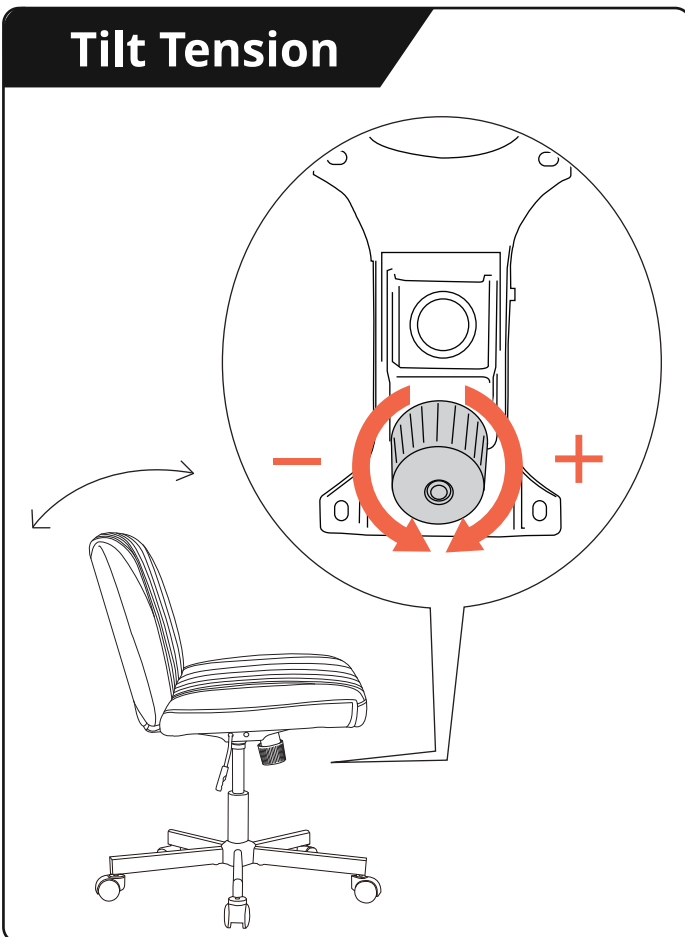
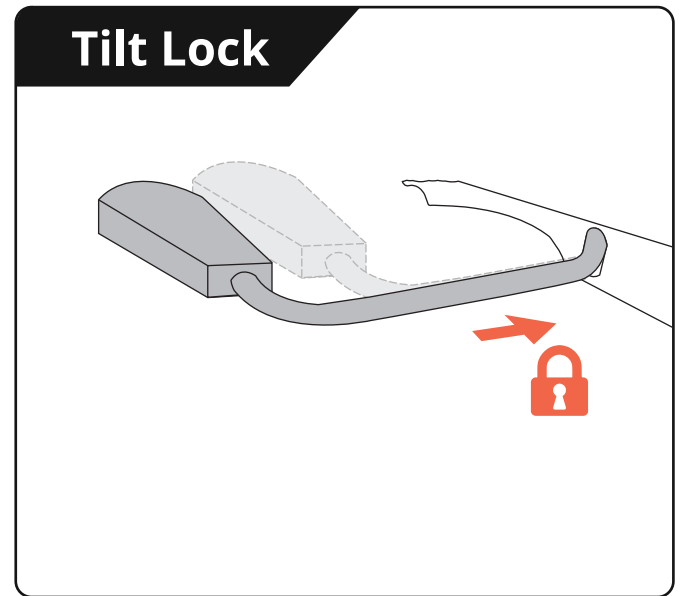
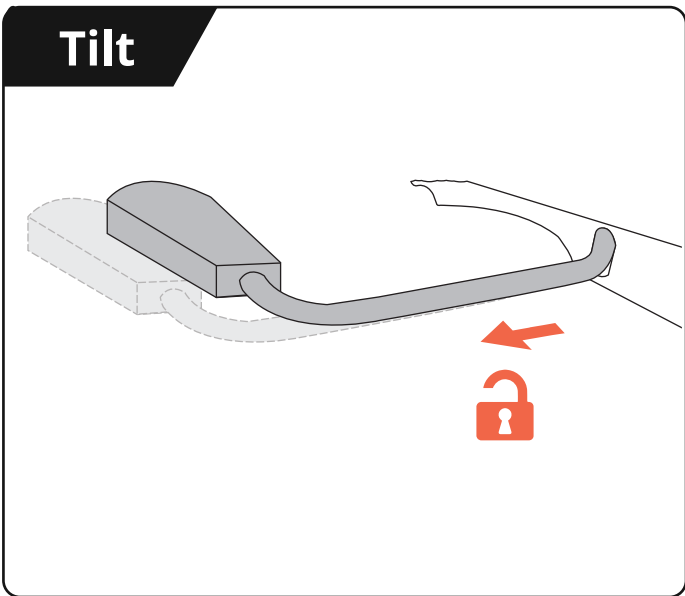
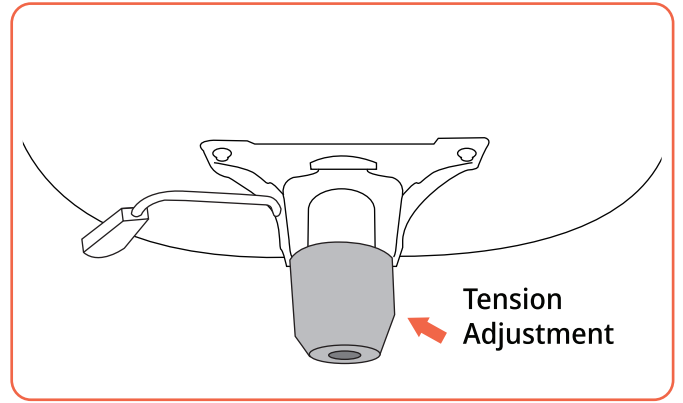
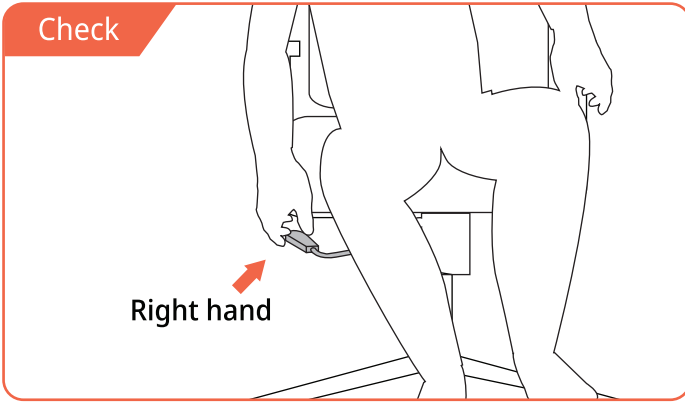
Align the screw holes on the Seat and Backrest. Using Allen key, secure both completely with (A) Bolt X4.

7.



Align the hole on Mechanism with Gas Lift, and press the Chair down until it is fully secured.

• User Manual





IMPORTANT SAFETY INSTRUCTIONS



Read these instructions carefully and retain them for future use. If this product is passed to a third party, then these instructions must be included.

When using the product, basic safety precautions should always be followed to reduce the risk of injury including the following:

- This product must be assembled by an adult.
- Keep children and pets away while assembling the product.
- Do not let children climb on or play with the product.
- Always use the product on a firm, level ground.
- Do not use this product if any parts are missing, damaged, or worn.
- To avoid scratching the floor, assemble the product on a soft surface, such as a carpet.
- Do not over-tighten the fasteners.
- Regularly examine the product for wear and tear. Stop using the product at the first sign of damage or if parts become detached.
- Do not use power tools to assemble the product. Power tools may strip or damage the parts.
- Do not stand on the seat.
- Do not sit on the armrest.
- Keep all sharp objects away from the upholstery.
- Do not hang anything on the product.

2. Assembly

- For additional illustrated assembly steps, refer to the end of the written instructions.

3. Before First Use

- **Suffocation Hazard:** Packaging materials and small components such as screws, bolts, and other fasteners can pose a suffocation hazard. Always keep these parts out of reach of children and pets during assembly and ensure they are securely fastened to the product to prevent them from becoming loose over time.
- **Children's Safety:** Never leave children unattended with the chair. Teach children not to play with the chair, as it is not a toy. Climbing on the chair or playing with its moving parts can lead to falls or injuries. Additionally, ensure the chair is adjusted to a safe and appropriate height for children's use to prevent their feet from dangling, which can cause discomfort or pressure.
- **Pet Safety:** Be mindful of pets around your chair products. Pets, particularly those with a tendency to chew or claw, can damage the chair or even ingest small parts, leading to potential injury or health issues. Consider using protective covers or deterrents if your pets are known to chew on furniture.
- Remove all the packing materials.
- Review all components before assembly. Check the product for transport damages.

Enjoy your new favorite chair

Our goal is to create a perfect customer experience.
Let us know if you have any feedback.
Your comment motivates us to become a better team.