

INSTALLATION MANUAL

CEILING FAN WITH LIGHTS

Model No.: YF-005-52-01

8. Install the Bulbs

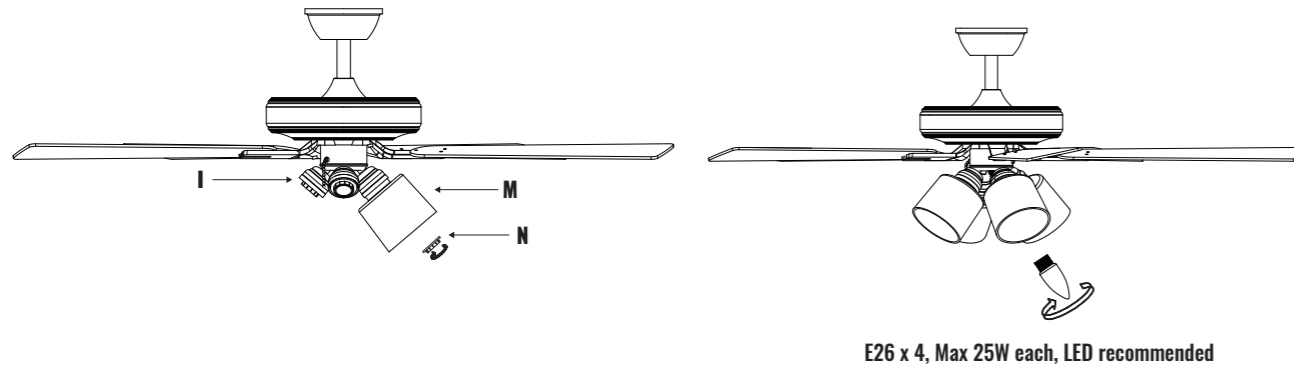
STEP 1: Remove the Bulb Retaining Knobs (N) from the Light Frame (I).

STEP 2: Place the Glass Shade (M) over the Light Frame (I), secure the Glass Shade (M) by tighten the Bulb Retaining Knobs (N).

STEP 3: Install the Bulbs. (E26 x 4, Max 25W each, not included)

Note:

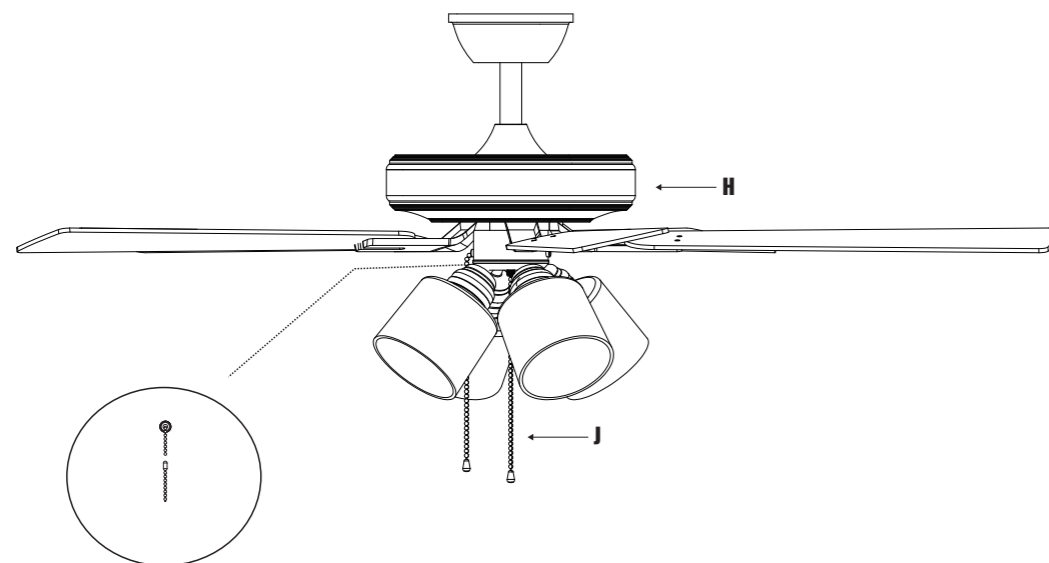
This fan can only be connected to an on/off switch if you have one, not a dimmer switch.



9. Install the Pull Chain

Connect the attachment point of the Pull Chain (J) to the pull cord location on the Fan Motor Assembly (H).

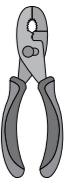
Note: This ceiling fan light has two pull chains: one controls the fan speed, and the other controls the light.



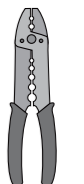
TOOLS REQUIRED



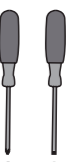
Ladder



Pliers



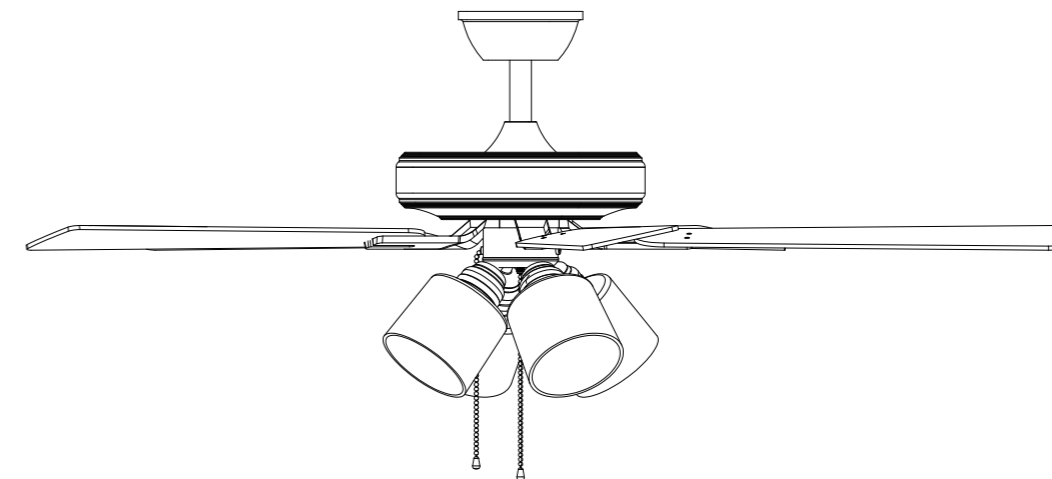
Wire Strippers



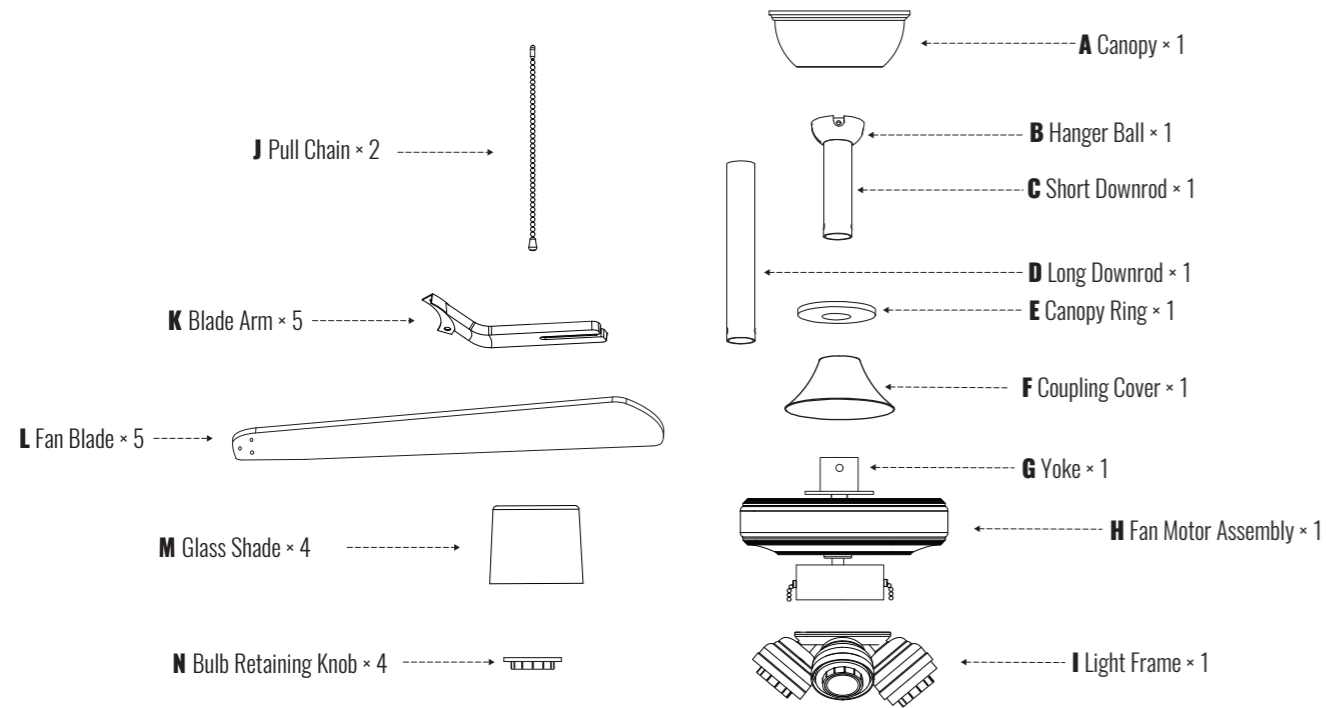
Screwdrivers



Power Drill

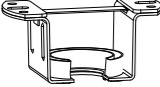















PACKING LIST



Note: N is pre-installed on the Glass Shade (M).

INSTALLATION KIT

AA  Mounting Bracket	1×	BB  Outlet Box Screw with Washer	2×	CC  Wood Screw	4×	DD  Plastic Anchor	4×
EE  Fan Blade Screw with Washer	15×	FF  Wire Nut	3×	GG  Clevis Pin	1×	HH  Flat Washer	1×
II  Anchor Bolt	2×	JJ  Blade Arm Screw with Washer	10×	KK  Light Frame Screw	3×	LL  Yoke Screw	2×
MM  Balance Kit	1×	NN  Gloves	1×				1×

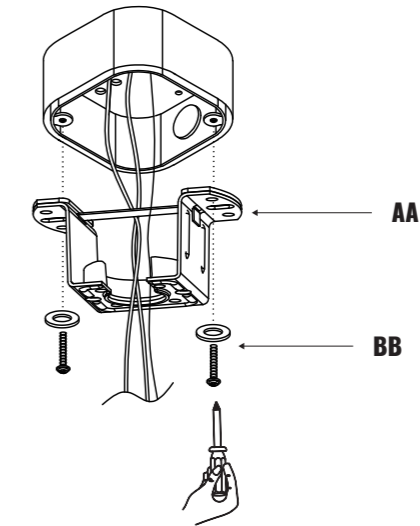
Note:

- Some extra hardware may be included. The quantity listed above is the number required for installation.
- GG/HH are pre-installed on the Short Downrod (C).
- JJ is pre-installed on the Fan Motor Assembly (H).
- KK is pre-installed on the Light Frame (I).
- LL is pre-installed on the Yoke (G).
- EE includes two washers: one red washer and one metal washer.

INSTALLATION

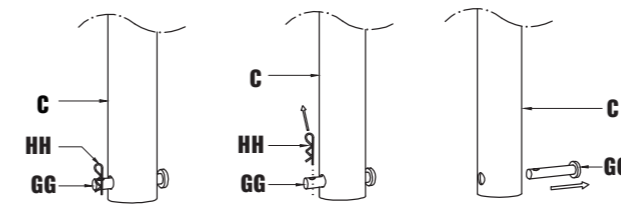
1. Install the Mounting Bracket

Take off the screws from the outlet box, and secure the Mounting Bracket (AA) onto the box with the screws taken off or Outlet Box Screw with Washers (BB).

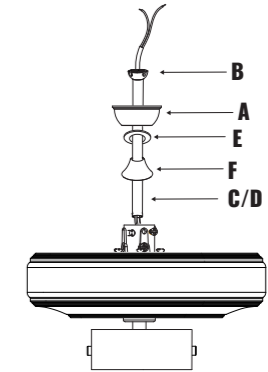


2. Install the Downrod

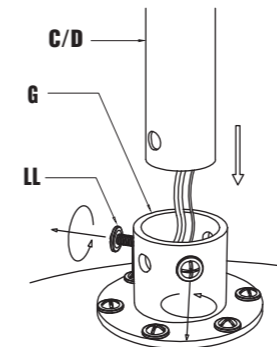
STEP 1: Remove the "R" Pin (HH) and Clevis Pin (GG) from the Short Downrod (C).



STEP 2: Thread the Downrod (C/D) through the Coupling Cover (F), Canopy Ring (E), and Canopy (A). Route wires from the fan through the Downrod (C/D).



STEP 3: Loosen the Yoke Screw (LL) from the Yoke (G) but do not take off, align the holes at the bottom of the Downrod (C/D) with those in the Yoke (G).

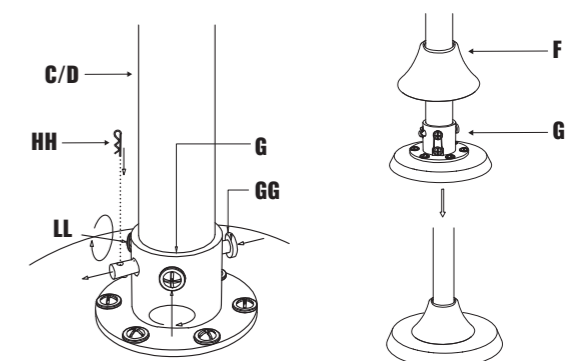


STEP 4: Insert the Clevis Pin (GG) through the holes in the Yoke (G) and Downrod (C/D). (Be careful not to jam the Clevis Pin against the wires inside the Downrod).

STEP 5: Insert the "R" Pin (HH) into the end of the Clevis Pin (GG).

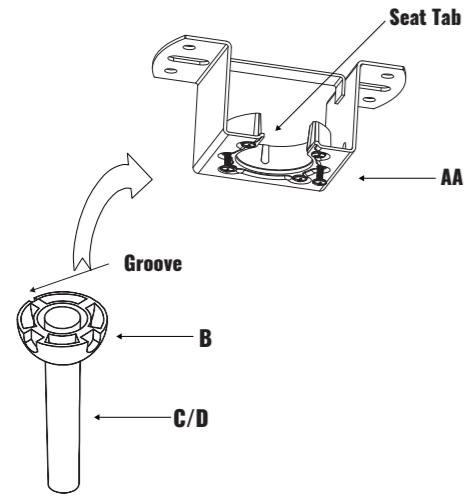
STEP 6: Tighten the Yoke Screw (LL) on the Yoke (G) to secure the Downrod (C/D).

STEP 7: Slide the Coupling Cover (F) downward to cover the Yoke (G).



3. Hang the Fan

Lift the Downrod (C/D) into the Mounting Bracket (AA). Rotate the Hanger Ball (B) until the seat tab in the Mounting Bracket (AA) is seated in the groove in the downrod ball.



4. Connect the Wires

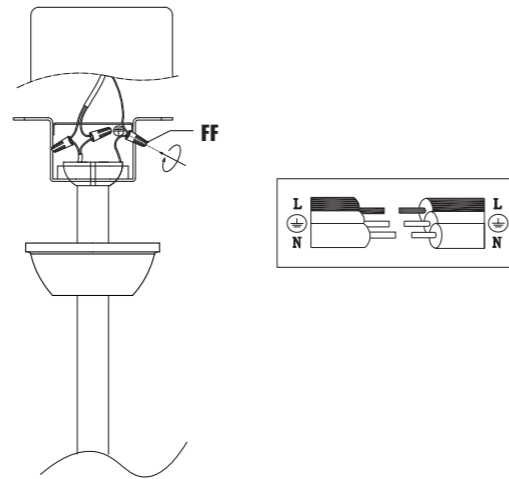
STEP 1: Wrap the ground wire from the outlet box around the Ground Screw on the Mounting Bracket (AA), and then connect the ground wire from the fixture to the ground wire from the outlet box.

STEP 2: Connect the wires from the fixture to the house supply wires with Wire Nut (FF), neutral wire (white) to neutral wire, and hot wire (black) to the hot wire. Wrap the connection with electrical tape.

STEP 3: Spread apart the wires so that the hot wires are on one side of the outlet box and the neutral wires are on the other.

Note:

This fan only needs one set of input wires (black, white, and ground wire). Both of the fan and lights will be controlled by the Pull Chain (J). This fan can only be connected to an on/off switch if you have one, not a dimmer switch.

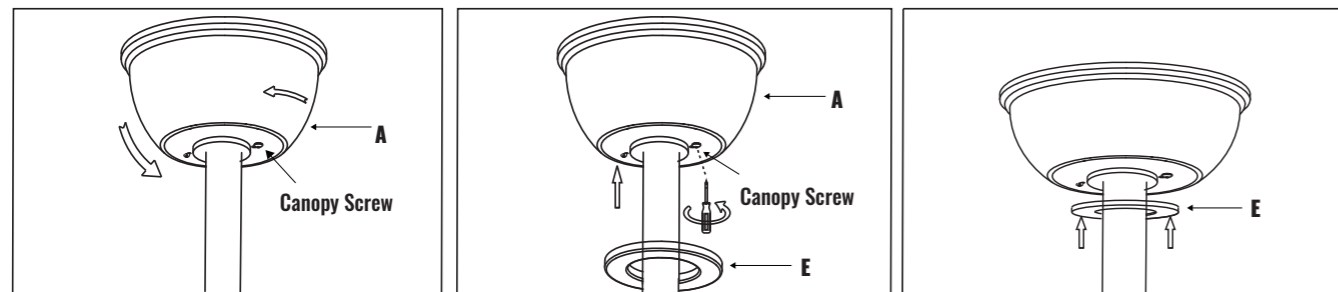


5. Attach the Canopy

STEP 1: Push the Canopy (A) up to the ceiling, making Canopy Screws go through the screw holes on Canopy (A), then rotate Canopy (A) to make it lock onto the Canopy Screws.

STEP 2: Tighten the Canopy Screws to secure the Canopy (A).

STEP 3: Slide the Canopy Ring (E) up to the Canopy (A).

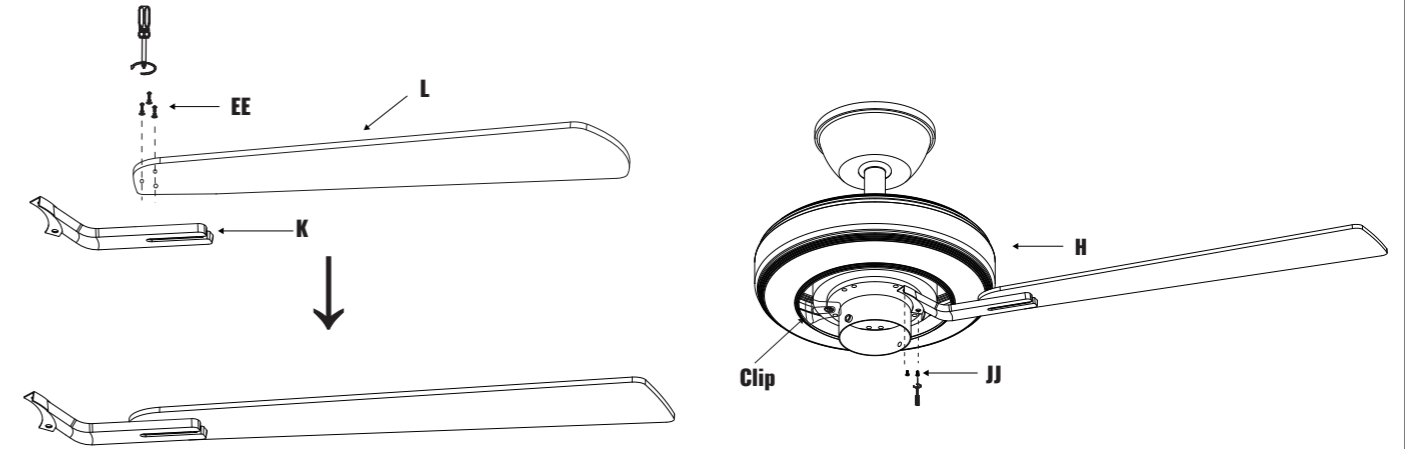


6. Assemble the Fan Blade

STEP 1: Attach the Fan Blade (L) onto the Blade Arm (K) with the Fan Blade Screws and Washers (EE) provided.

STEP 2: Remove the Blade Arm Screws and Washers (JJ), and the Clip from the Fan Motor Assembly (H).

STEP 3: Align the round holes of the Fan Blade Arm (K) and the Fan Motor Assembly (H), and secure it with the Blade Arm Screws and Washers (JJ) provided.



7. Assemble the Light Frame

STEP 1: Take off the Light Frame Screws (KK) from Light Frame (I).

STEP 2: Connect the wire terminal to the interface on the Light Frame (I).

STEP 3: Tighten the Light Frame (I) to the Fan Motor Assembly (H) using the Light Frame Screws (KK).

