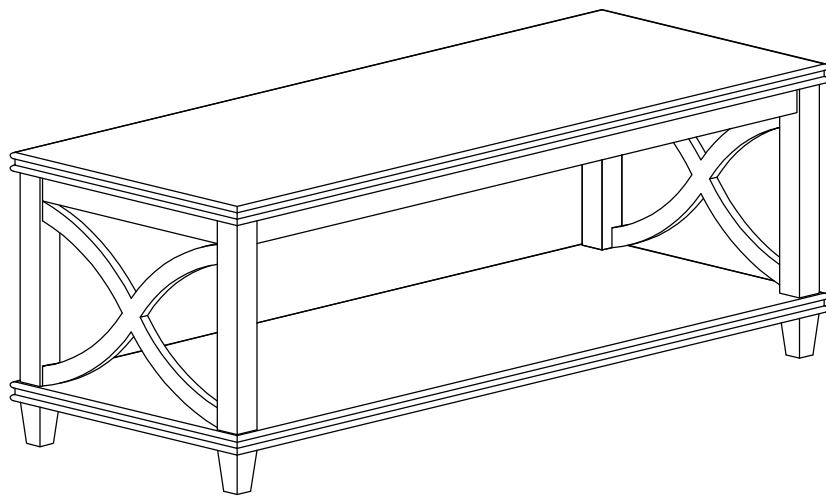
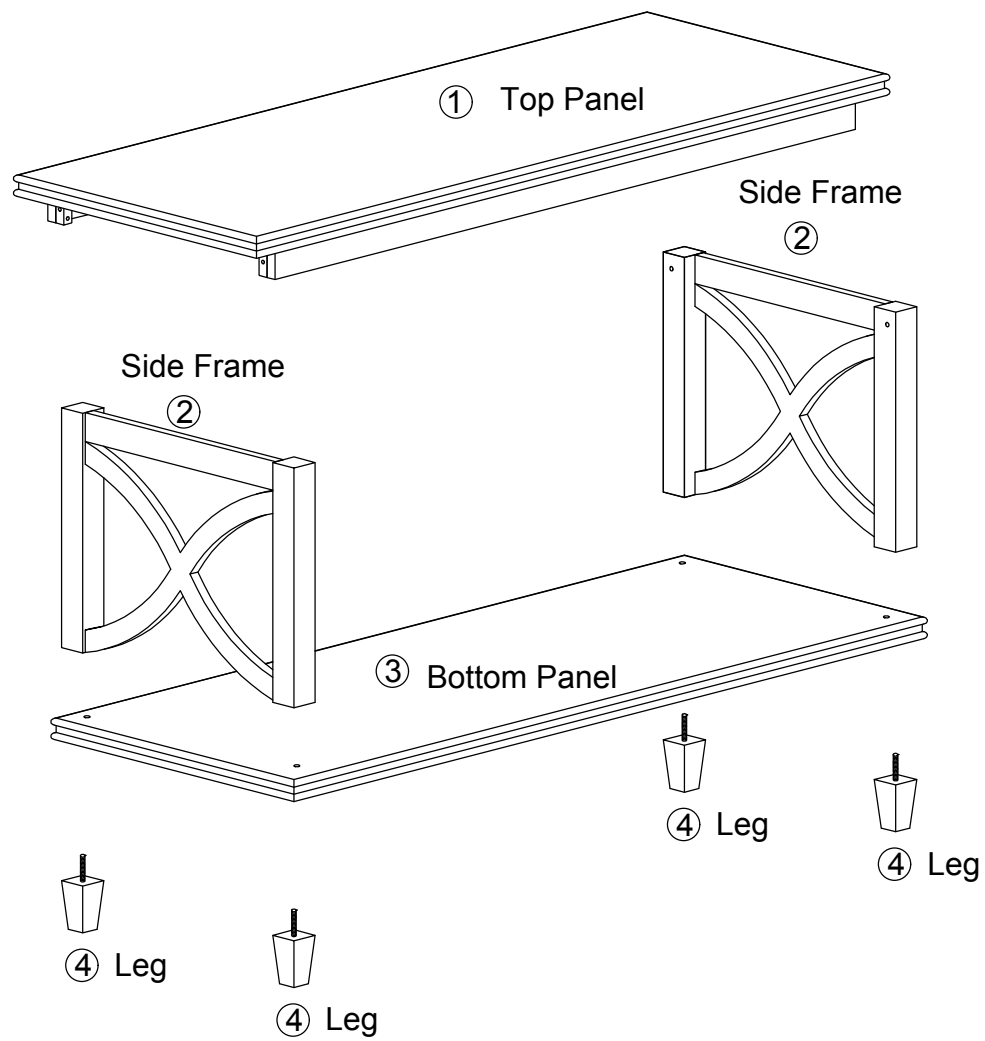


Coffee Table



Assembly instructions

We have designed our furniture with you, the customer in mind. Our clear, easy to follow step by step instructions will guide you through the project from start to finish. Feel confident that this will be a fun and rewarding project. The final product will be a quality piece of furniture that will together smoothly and give years of enjoyment.



A 4pcs
Bolt (Ø1/4"x1-3/8")



B 4pcs
Flat Washer



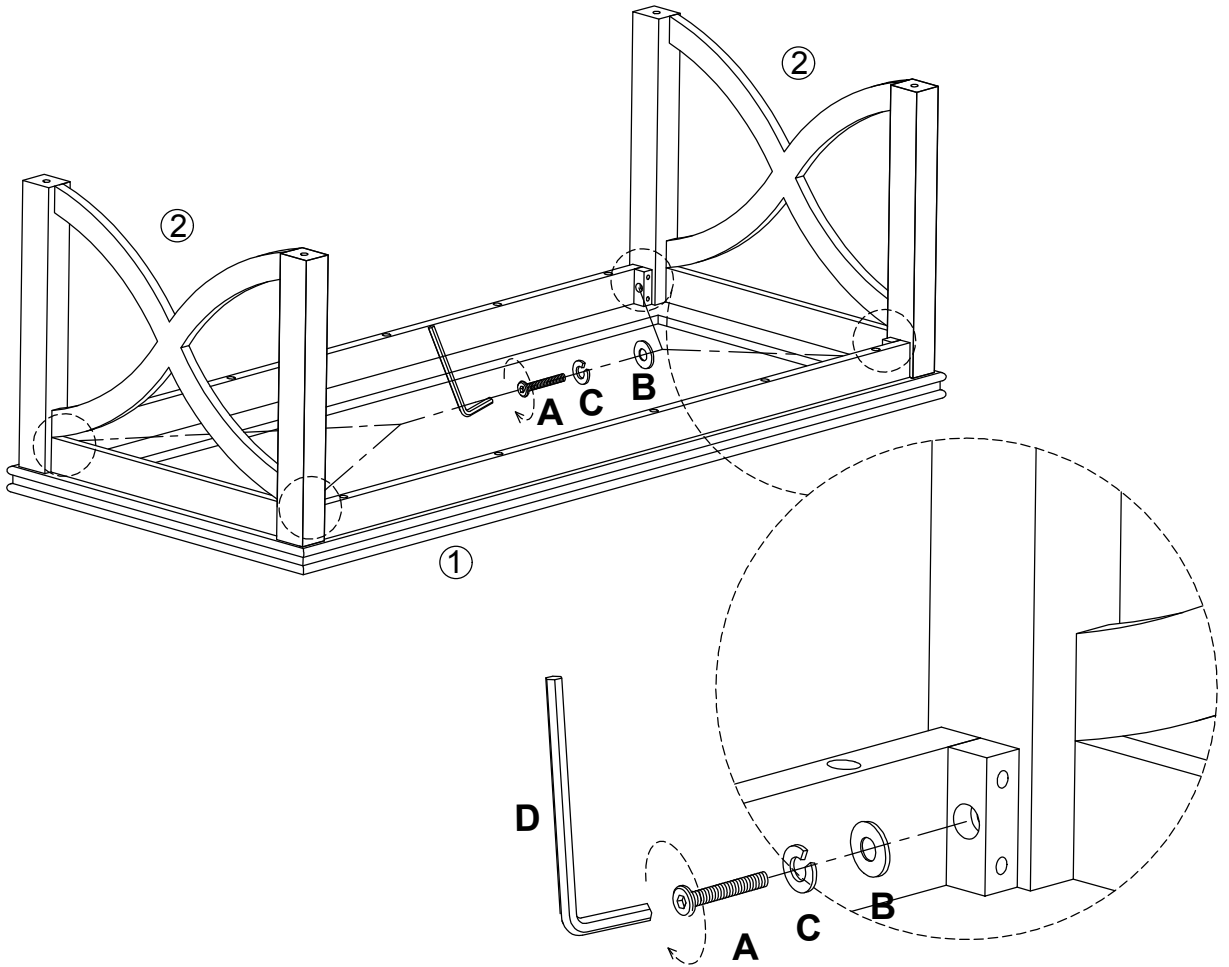
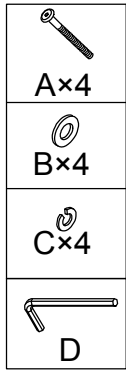
C 4pcs
Spring Washer



D 1pc
Allen

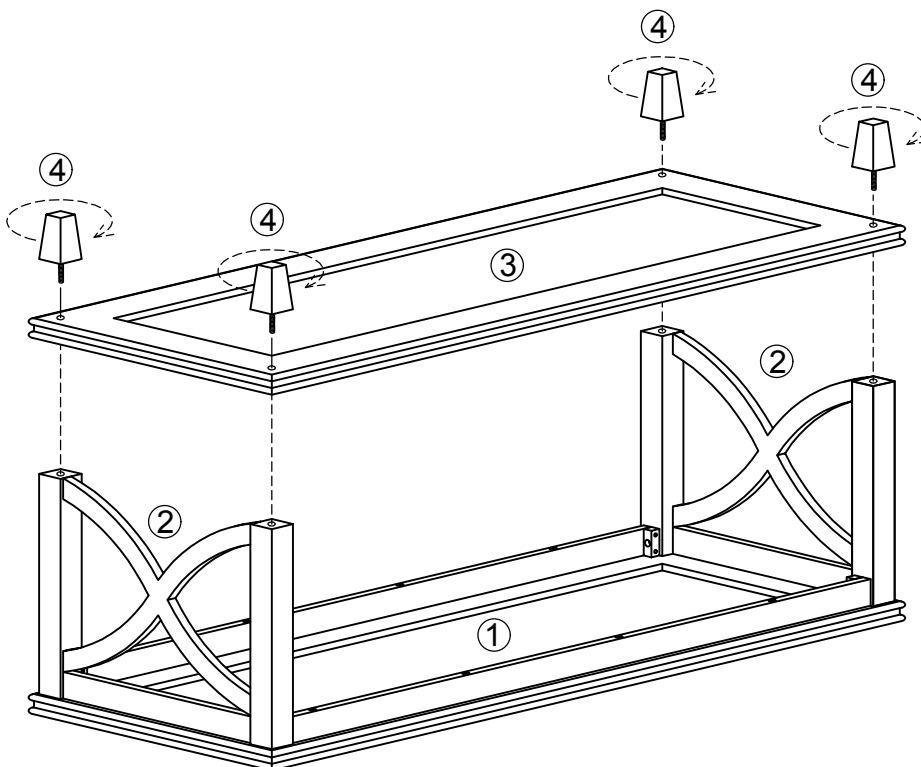
Step 1

1. Attach Side Frame ② to Top Panel ① using Bolt (A), Flat Washer (B), Spring Washer (C).



Step 2

1. Attach Bottom panel ③, Legs ④.



Step 3

Enjoy.

