

INSTALLATION AND SAFETY INSTRUCTIONS

NOTE: ALWAYS TURN POWER OFF BEFORE INSTALLING LIGHTING FIXTURES!

WARNING – Follow the instructions carefully to assure full compliance with N.E.C. requirements. If there are any questions, contact a qualified electrical contractor.

CAUTION – All glass is fragile, use care when handling glass component(s) and or lamp(s).

Figure A

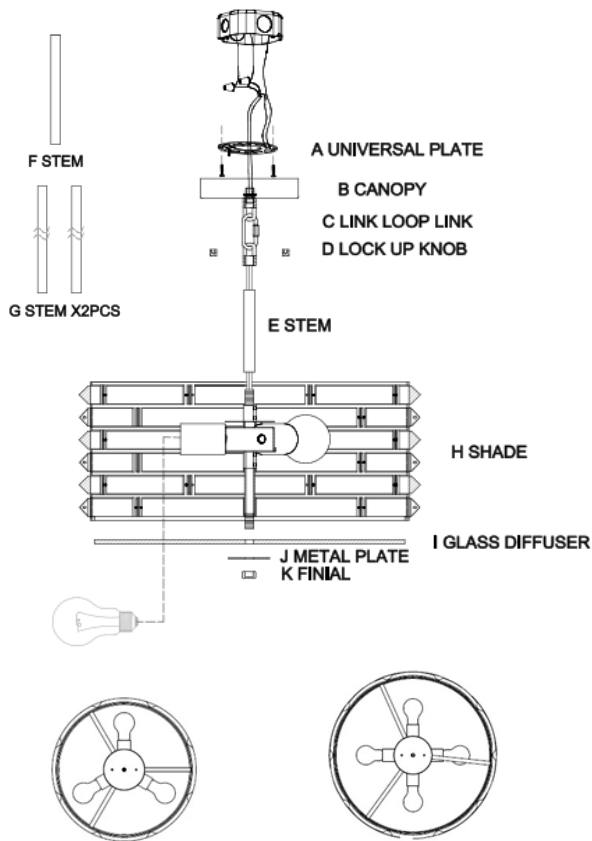
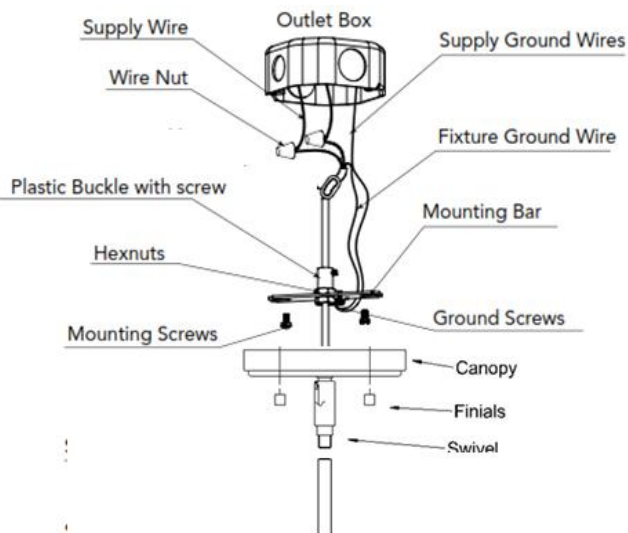


Figure B



Installation (see Figures A and B)

1. Turn off power to outlet box.
2. Thread two 8-32 long screws (included) into the mounting bracket making sure the screws will line up with the holes in the canopy.
3. Attach the mounting bracket to the junction box with screws (not included). Make sure that the 8-32 mounting screws have the threads exposed downward and screw heads sit on top of the bracket as shown in the illustration.
4. Determine desired fixture mounting height and the appropriate mounting stems that will be needed.
5. Slip each stem over the wire, one at a time, while threading the first stem onto the fixture body, then each stem onto the other.
6. Once all stems are threaded in place and tight, slide small loop over wire and thread onto the top stem.
7. Connect fixture with loop and stems in place onto the adjustable chain link (supplied) connected to the canopy loop.
8. Thread wires through canopy loop and through canopy.
9. Lift canopy close to the junction box and make wire connections following instructions below.
10. Slide complete fixture assembly onto the bracket attached to the junction box and over the exposed screw threads pointing downward.
11. Secure in place with ball knobs (included).

Wiring (see Figure C)

1. Split the conductors of the fixture wire about 4 inches. Be careful not to expose any of the wire inside of the insulation.
2. Connect the fixture ground wire to the outlet box ground wire using wire nut (not provided). Connect outlet box ground wire to mounting bar with GREEN hex-head ground screw to tapped hole in mounting bar marked "GND".
3. Connect the half of the fixture wire that is white, marked, or has a ribbed surface to the outlet box supply wire (WHITE). Connect the other half of the fixture wire that is black, unmarked, or has a smooth surface to the outlet box supply wire (BLACK or RED). Use wire nuts (not provided) to connect all fixture wires.
4. Spread the electrical splices so that the black wires are on one side of the outlet box and the white wires are on the other side.
5. Slide canopy up into place against ceiling. Slide collar ring up and thread onto collar loop to secure canopy in place.

Figure C

