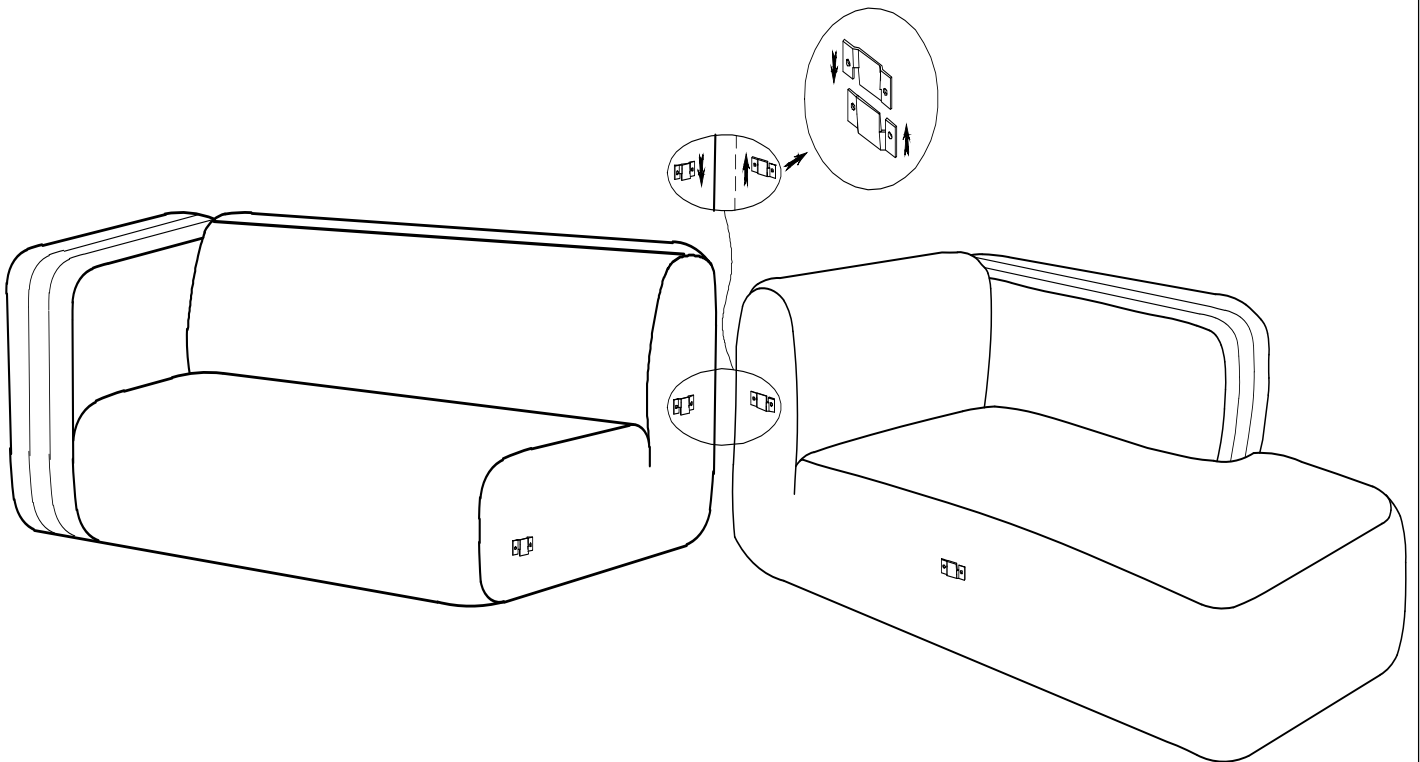
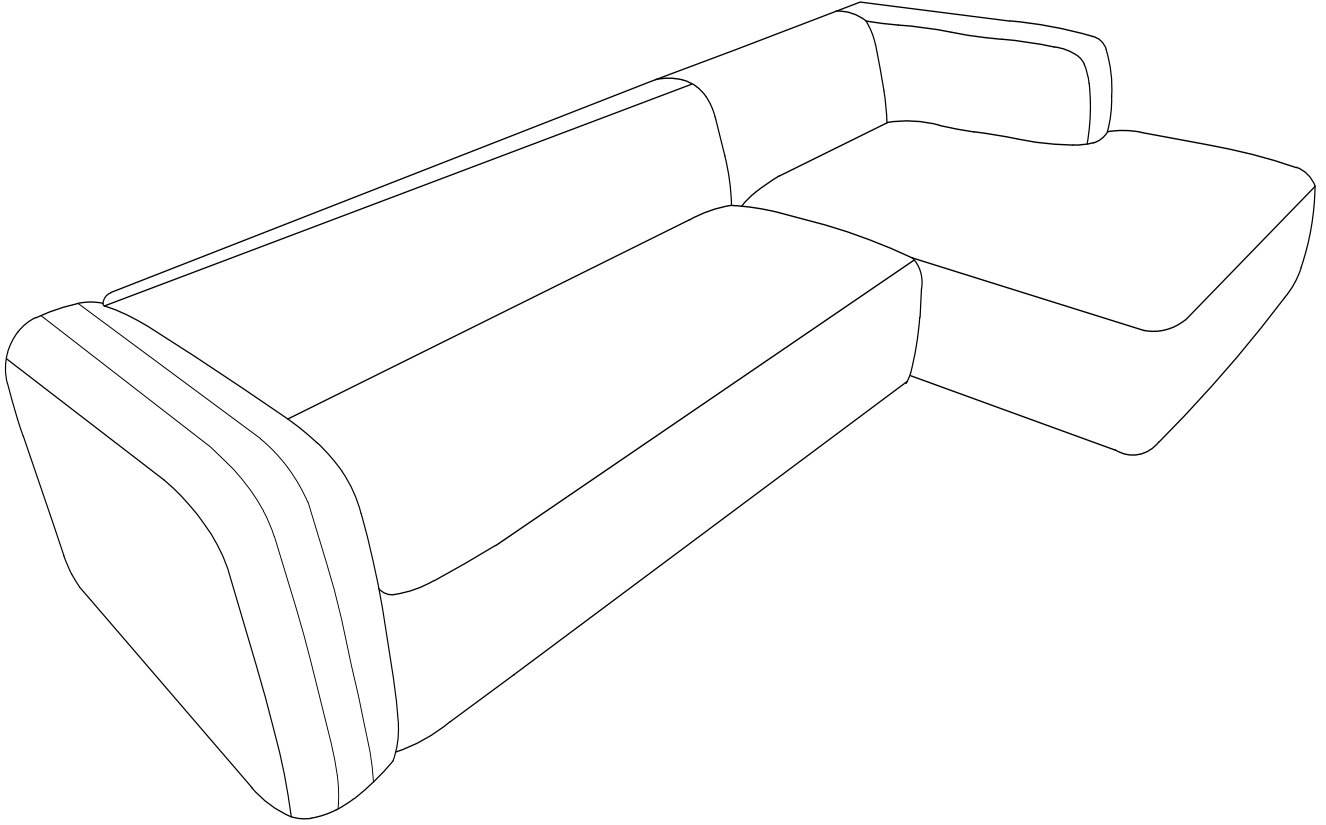


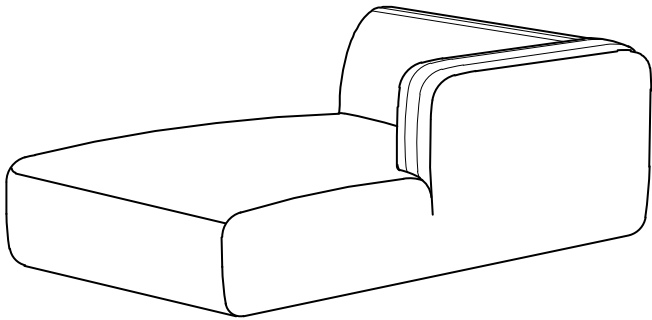
# ASSEMBLY INSTRUCTION

## NARA 2PC SECTIONAL W/ RAF CHAISE

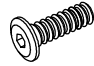

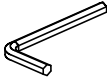



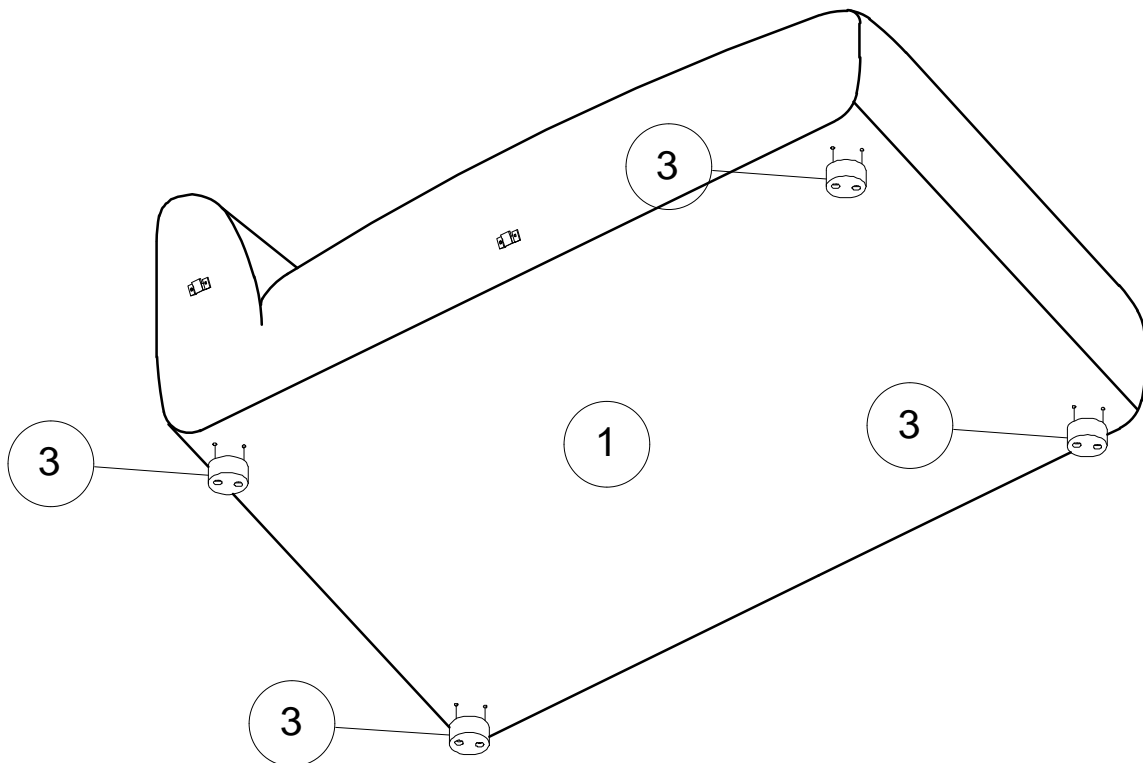
# ASSEMBLY INSTRUCTION

## NARA RAF CHAISE PIECE

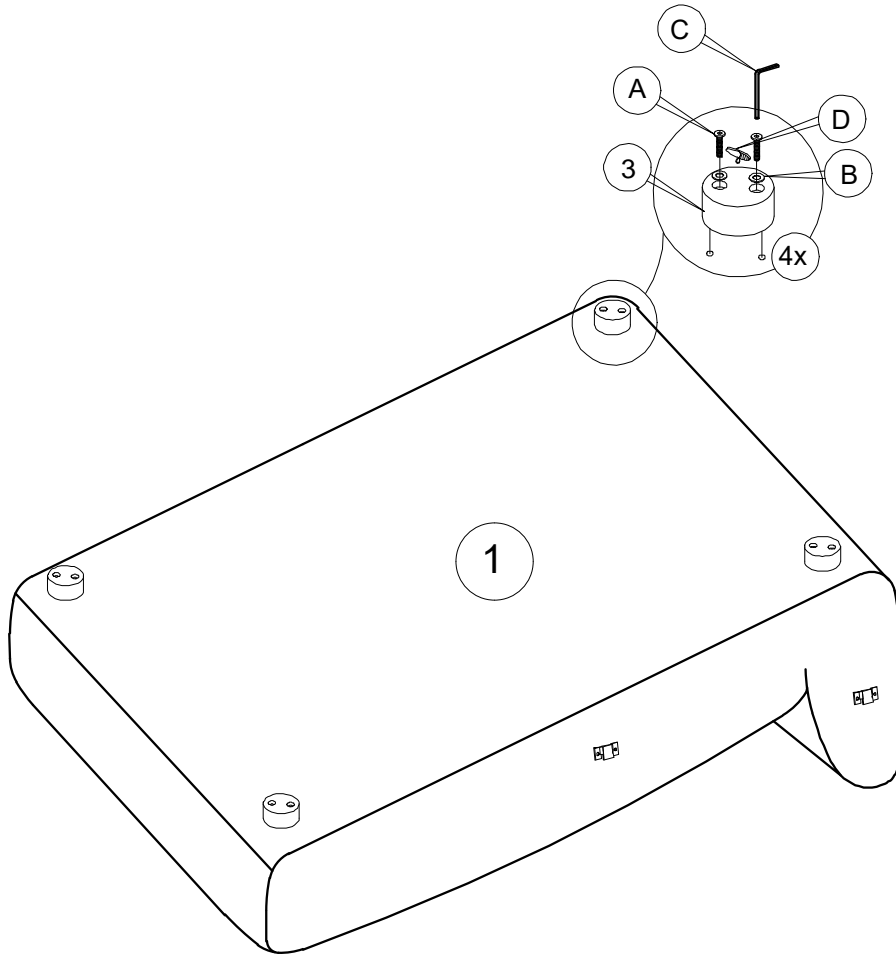


### HARDWARE LIST

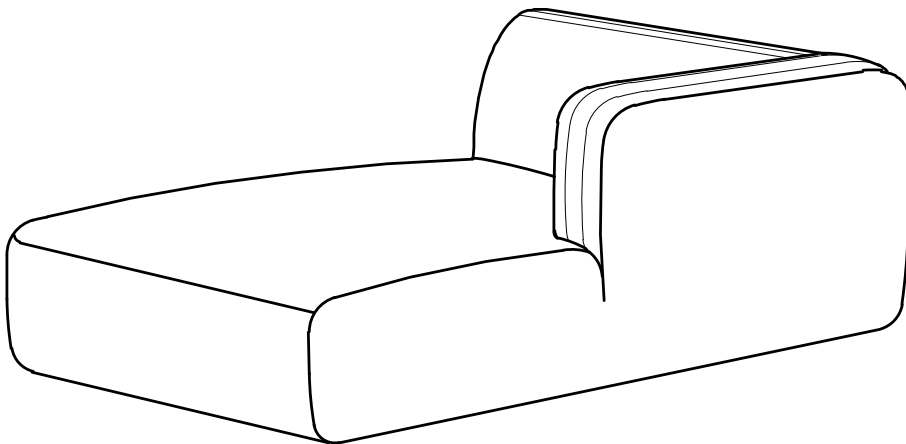
A		Bolt M6x50	x8
B		Flat washer Ø13xØ6x1mm	x8
C		#4	x1
D		Felt pads Ø30	x4



1

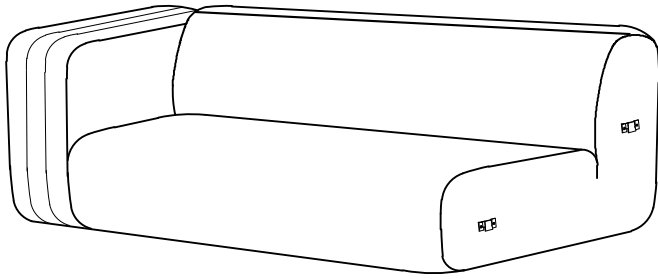


2

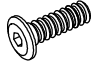

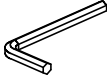



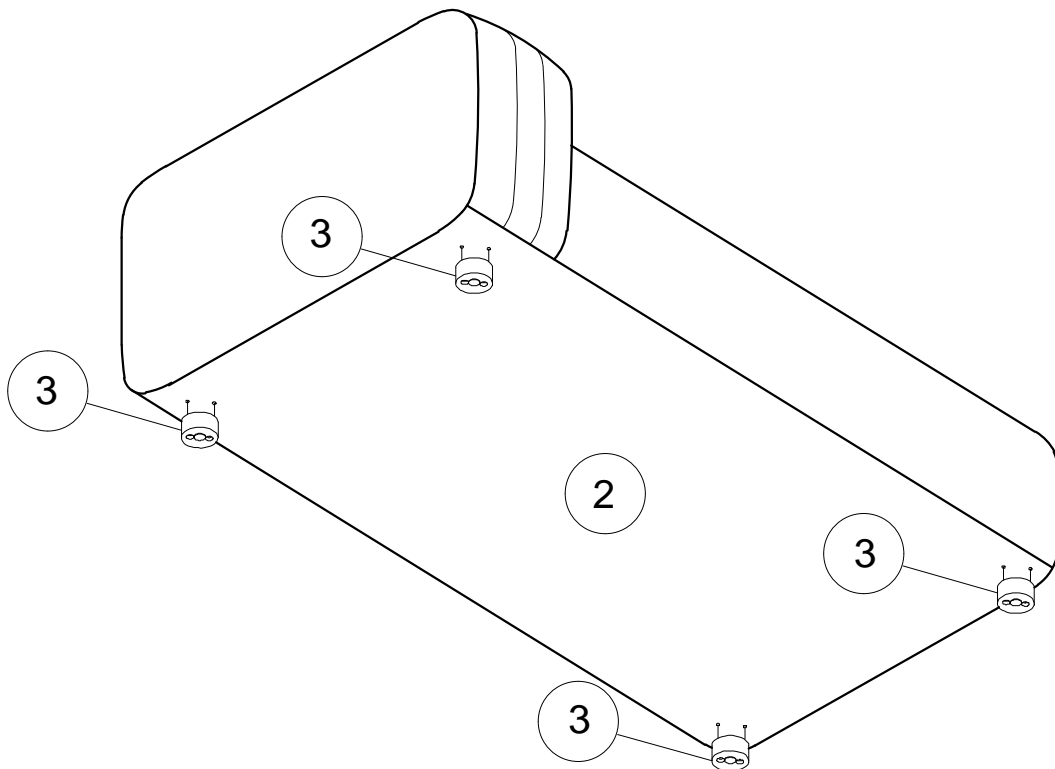
# ASSEMBLY INSTRUCTION

## NARA LAF SOFA PIECE

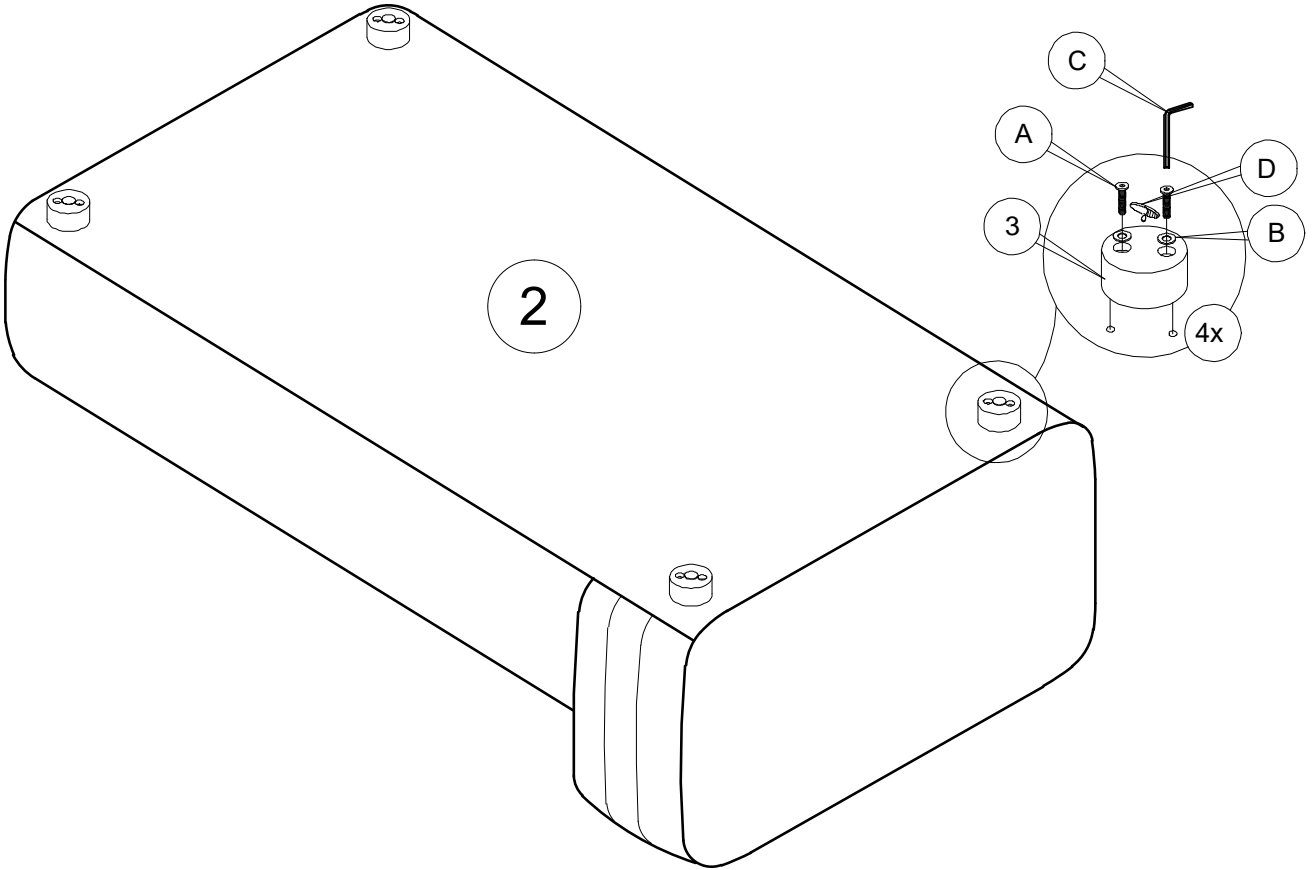


### HARDWARE LIST

A		Bolt M6x50	x8
B		Flat washer Ø13xØ6x1mm	x8
C		#4	x1
D		Felt pads Ø30	x4



1



2

