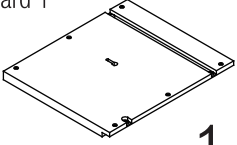
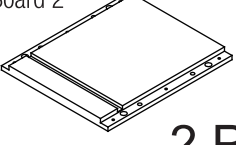
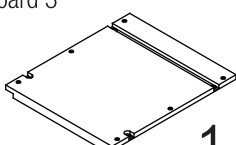
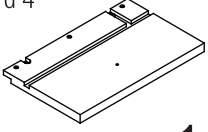
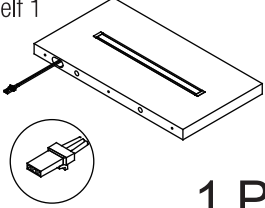
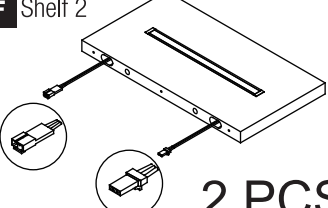
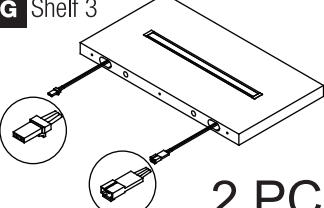

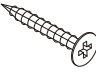
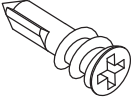

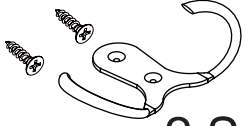
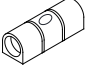

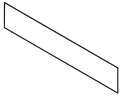
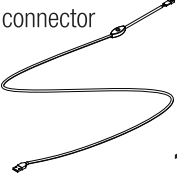
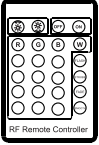


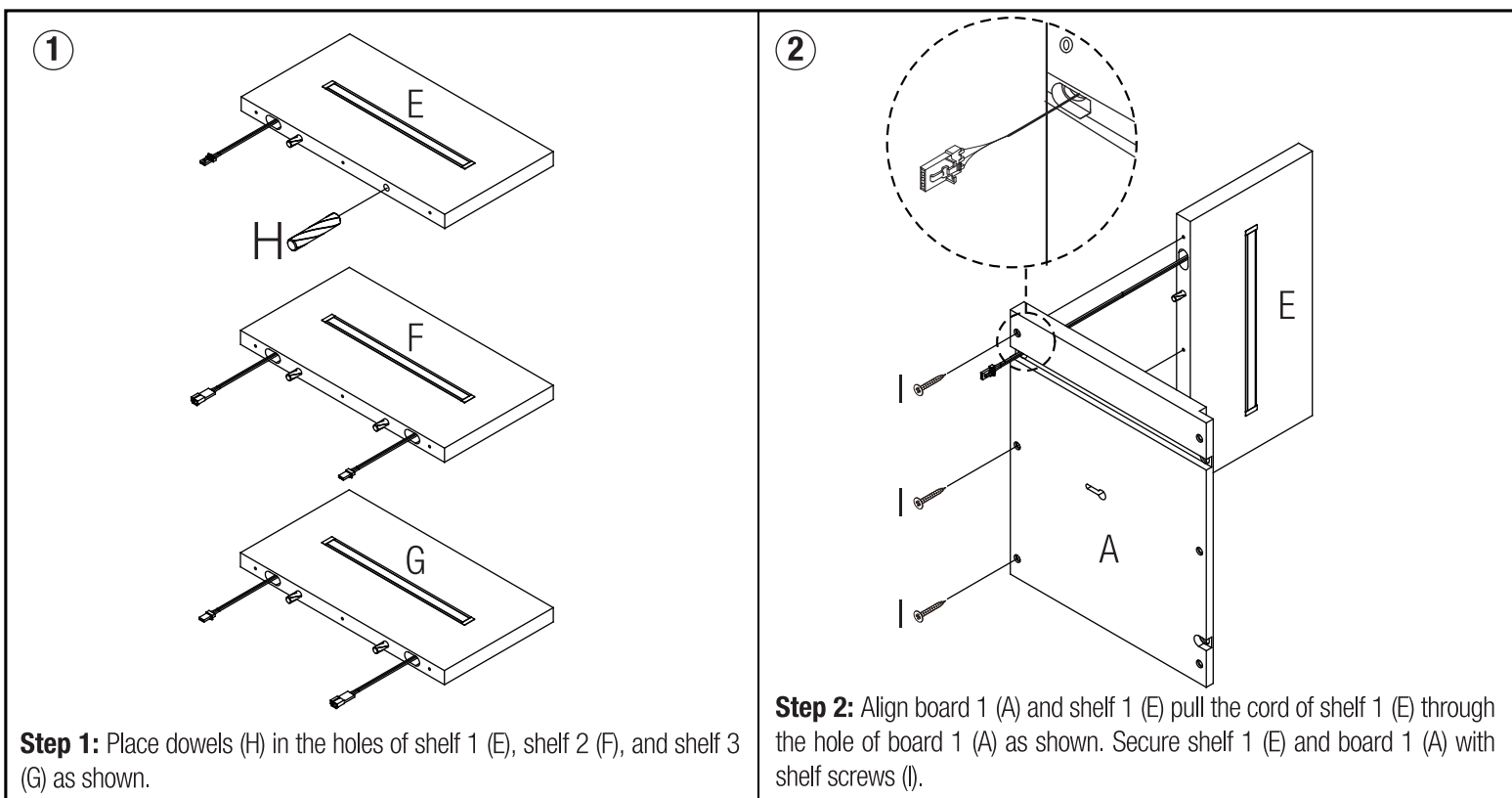
Package Contents:

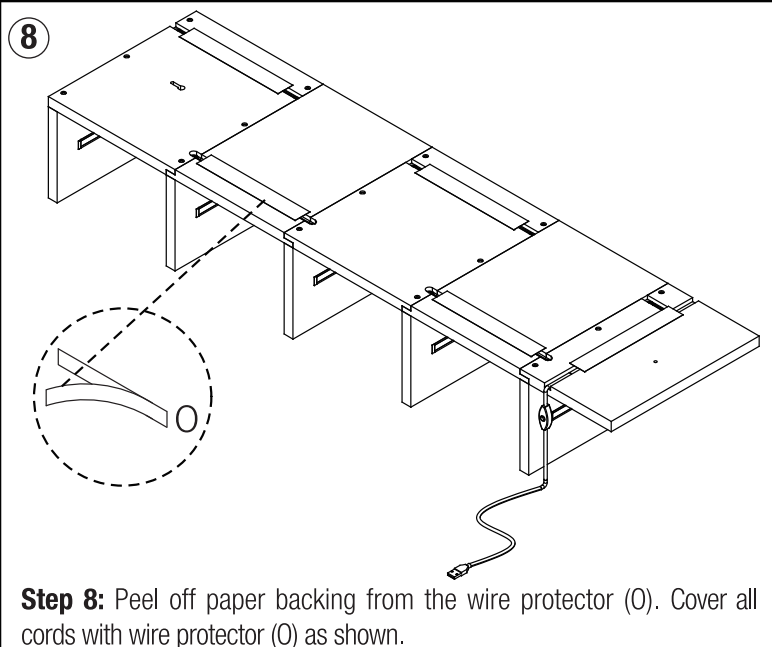
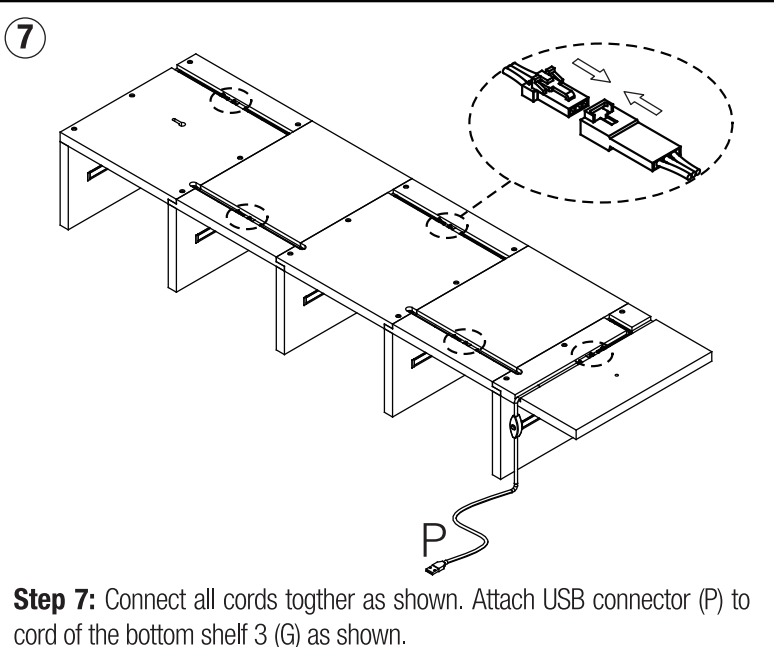
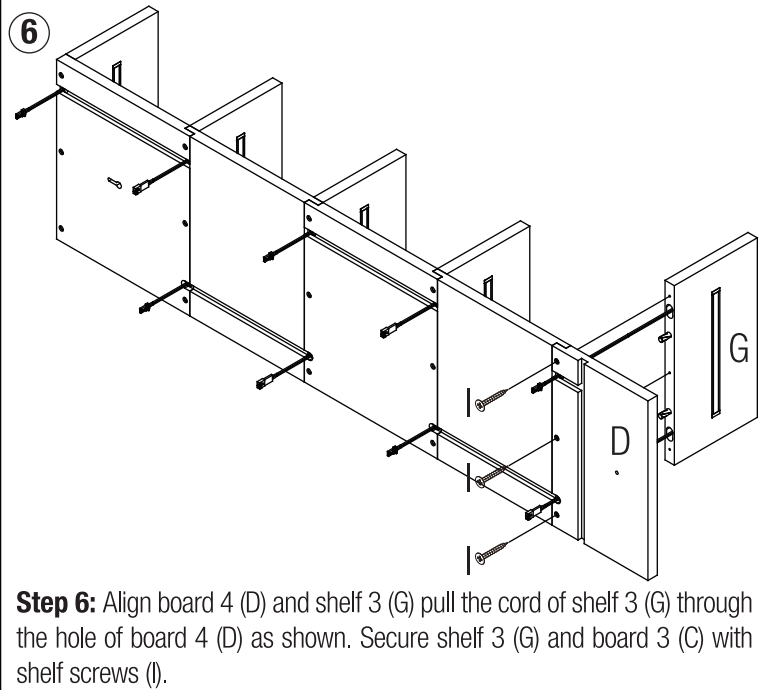
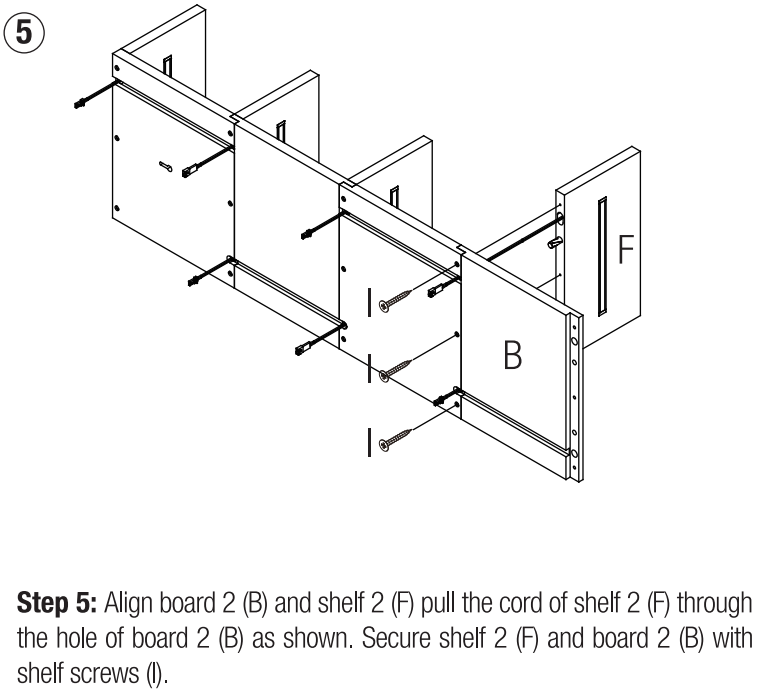
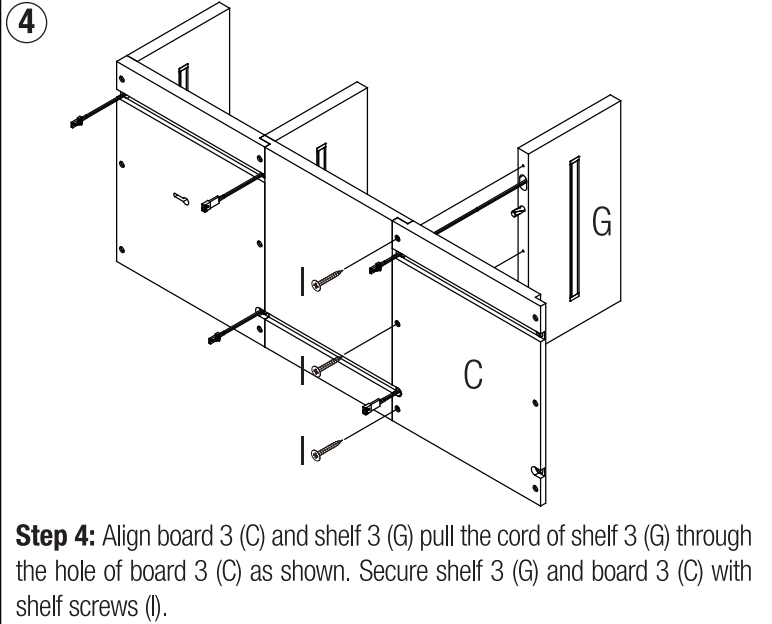
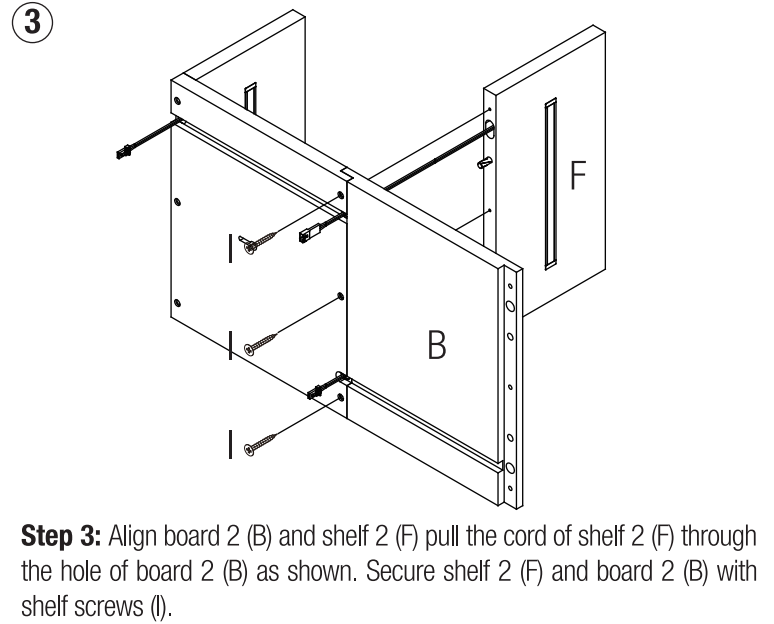
Tools Required: (Not Included): Pencil

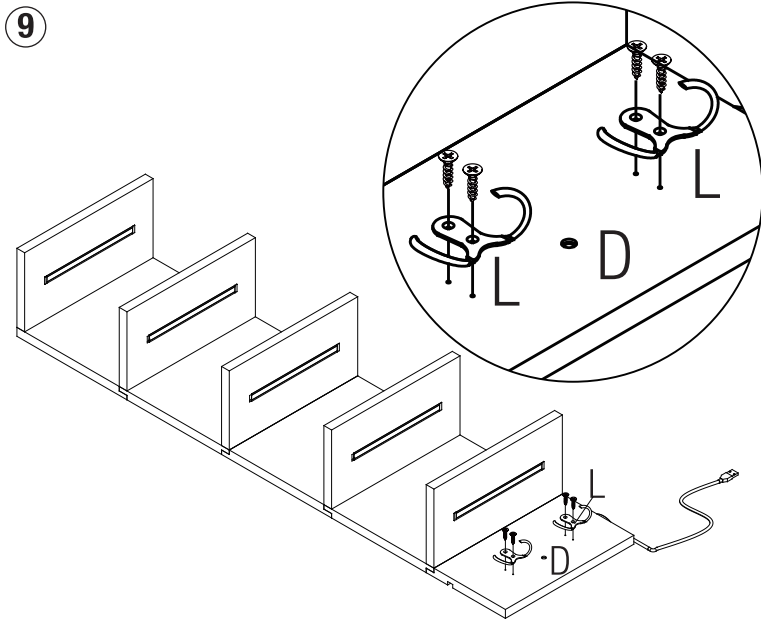
<p>A Board 1  1 PC</p>	<p>B Board 2  2 PCS</p>	<p>C Board 3  1 PC</p>	<p>D Board 4  1 PC</p>
<p>E Shelf 1  1 PC</p>	<p>F Shelf 2  2 PCS</p>	<p>G Shelf 3  2 PCS</p>	<p>H Dowel  10 PCS</p>
<p>I Shelf Screw  M4x50 15 PCS</p>	<p>J Wall Anchor  2 PCS</p>	<p>K Wall Screw  M4x40 2 PCS</p>	<p>L Hook Set  2 Sets</p>
<p>M Level  1 PC</p>	<p>N Screwdriver  1 PC</p>	<p>O Wire Protector  5 PCS</p>	<p>P USB connector  1 PC</p>
<p>Q Remote  1 PC</p>			

WARNING PLEASE NOTE:

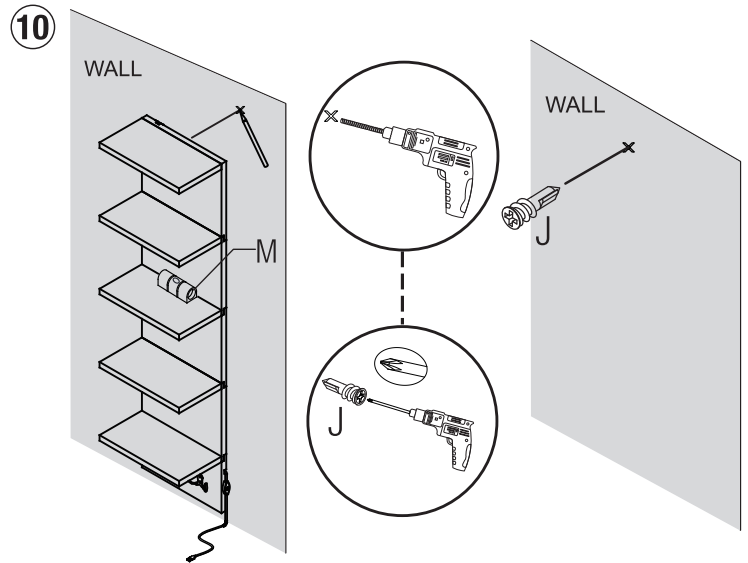
USE THE CORRECT SCREWS FOR EACH STEP OR THE CORDS/ WIRES CAN BE DAMAGED. KEEP PARTS OUT OF REACH OF CHILDREN.



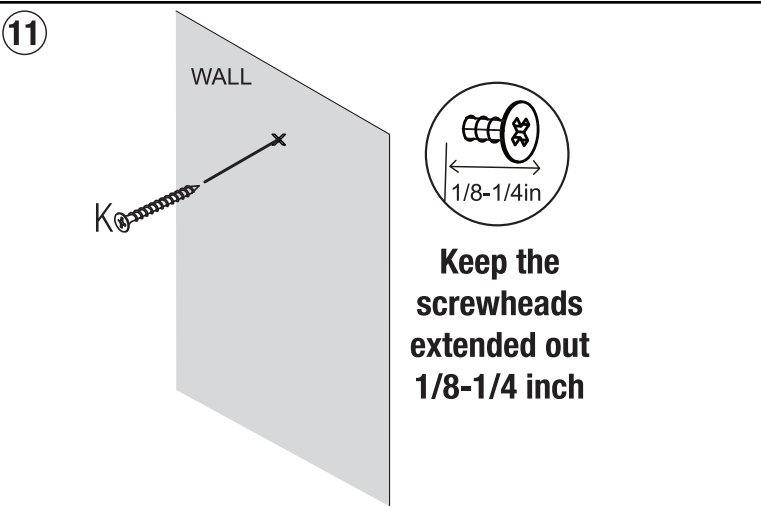




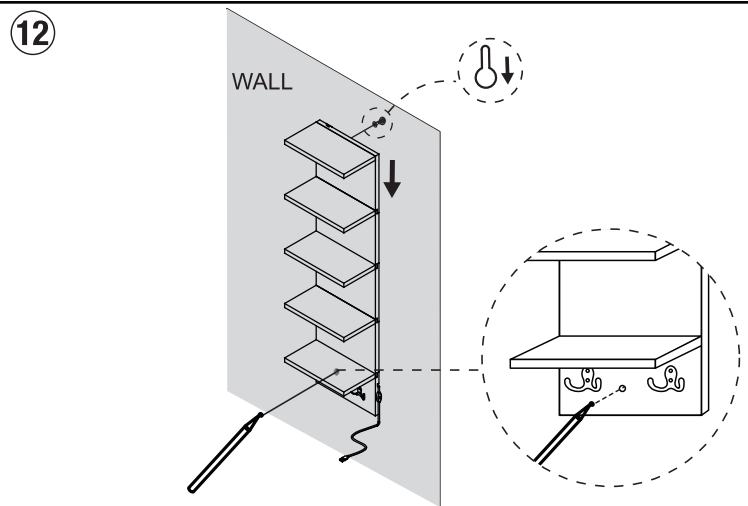
Step 9: Secure hooks (L) to board (D) using screws (L).



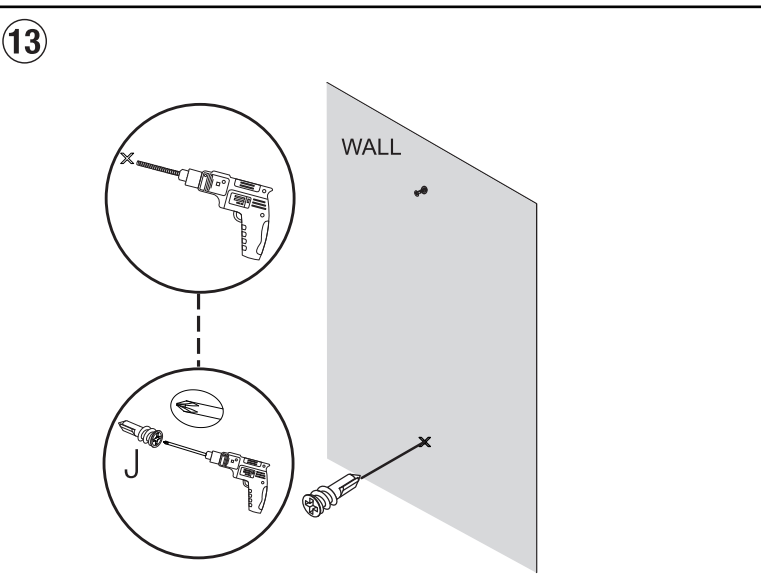
Step 10: Using the level (M) and a pencil, mark off where the shelves will be installed. Gently drill a hole into all the marked area with a drill bit. Then drill the top wall anchor (J) into place.



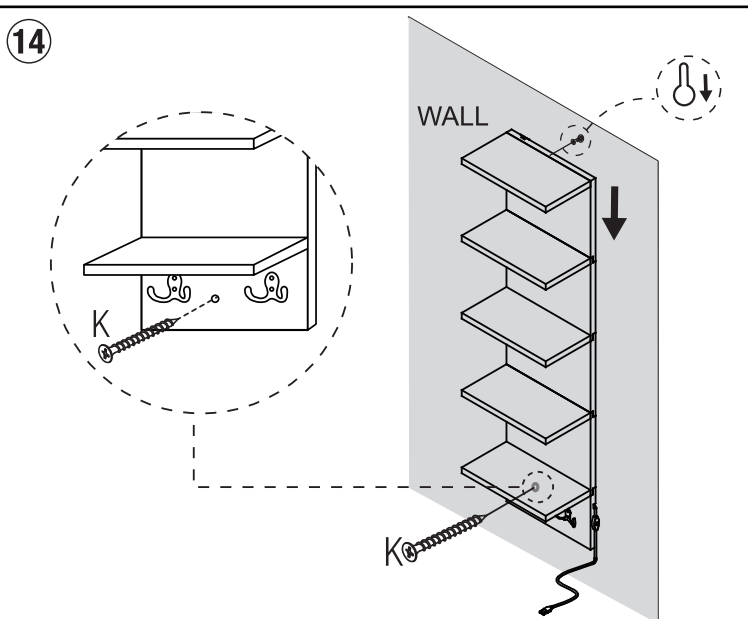
Step 11: Secure one wall screw (K) through the anchor (J) as shown leaving 1/8-1/4 inch of the screw head out of the wall.



Step 12: Hang rack on the installed screw and pull down to secure. Mark the last screw hole with a pencil.



Step 13: Gently drill a hole into all the marked area with a drill bit. Then drill the bottom wall anchor (J) into place.



Step 14: Hang rack on the installed screw and pull down to secure. Secure the last wall screw (K) through the anchor (J) as shown. After making sure everything is secure and level you can start to use the shelf.