

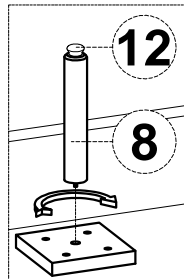
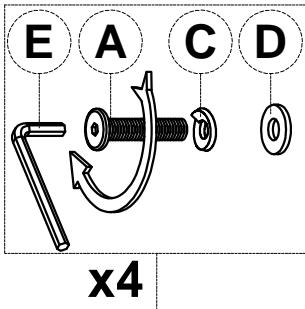
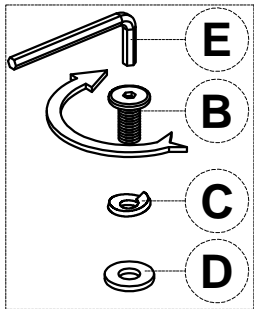
# ASSEMBLY INSTRUCTIONS & PARTS IDENTIFICATION CONSOLE 57" LIGHT OAK

Thank you for purchasing this quality product. Be sure to check all packing material carefully for small parts that may have come loose inside the carton during shipment.

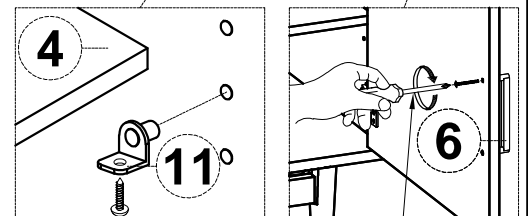
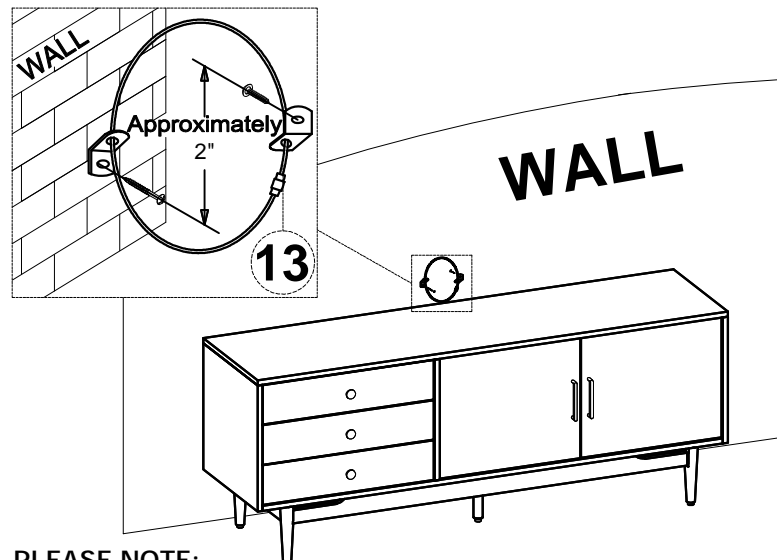
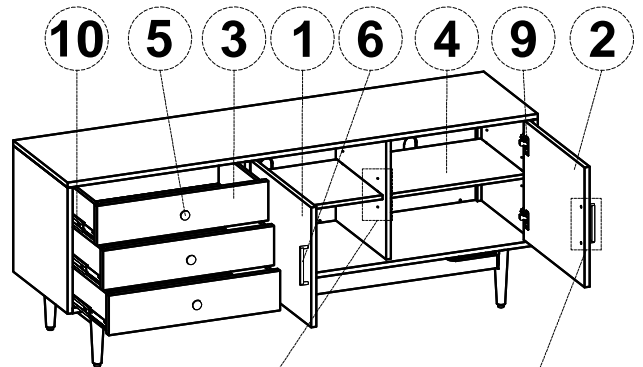
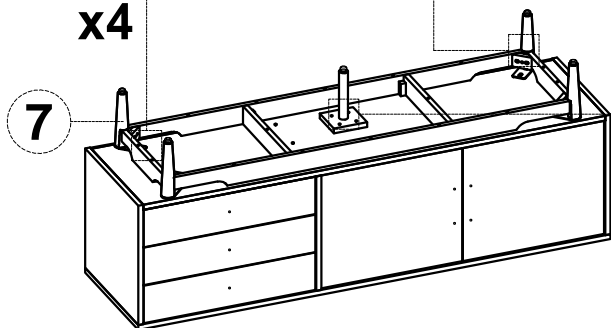
KEY COMPONENTS				KEY COMPONENTS			
No.	Code	Q'ty	Description	No.	Code	Q'ty	Description
1	2477-57P07L	1 Pc	Left Side facing door	7	2477P02	4 Pcs	Leg
2	2477-57P07R	1 Pc	Right Side facing door	8	2477P02M	1 Pc	Middle leg
3	2477-57P05	3 Pcs	Drawer	9	2477P07H	4 Pcs	Door hinge
4	2477-57P08	2 Pcs	Shelf	10	2477P06	6 Pcs	Extension drawer glide
5	2477-P04	3 Pcs	Drawer pull w/ screw	11	2477P08P	8 Pcs	Shelf pin
6	2477-P04D	2 Pcs	Door pull w/ screw	12	2477P01L	5 Pcs	Levelers
				13	2477P01AT	1 Kit	Anti-tip kit

### METAL PLATE ATTACHMENT

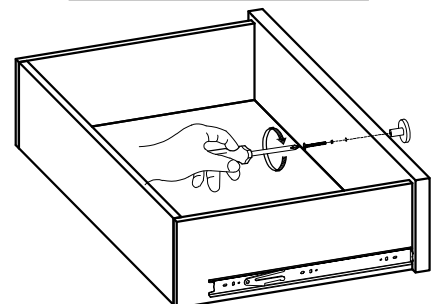
### WOOD LEG ATTACHMENT



CONSOLE HARDWARE				
No.		Description		Q'ty
A		Leg Bolt	M6x50	4 Pcs
B		Metal Plate Bolt	M6x15	4 Pcs
C		Lock washer	M8	8 Pcs
D		Flat washer	M8x18	8 Pcs
E		Allen key	K4	1 Pc



Screwdriver not included



### PLEASE NOTE:

To help prevent the possibility of tip-over, install the ANTI-TIP OVER restraint provided.